



US00D550268S

(12) **United States Design Patent**  
**Naruki**

(10) **Patent No.:** **US D550,268 S**  
(45) **Date of Patent:** **\*\* Sep. 4, 2007**

(54) **LIQUID CRYSTAL PROJECTOR**  
(75) Inventor: **Masatomo Naruki**, Kawasaki (JP)  
(73) Assignee: **Kabushiki Kaisha Toshiba** (JP)  
(\*\*) Term: **14 Years**

JP 1171655 4/2003  
JP 1171657 4/2003  
JP 1171728 4/2003  
JP 1177003 6/2003  
JP 1220148 10/2004

(21) Appl. No.: **29/235,787**  
(22) Filed: **Aug. 8, 2005**

**OTHER PUBLICATIONS**

B&H Summer 2004 Catalog, pp. 124-127, dated Jun. 2004.  
\* cited by examiner

(30) **Foreign Application Priority Data**  
Jun. 10, 2005 (JP) ..... 2005-016943

*Primary Examiner*—Ian Simmons  
*Assistant Examiner*—Wan Laymon  
(74) *Attorney, Agent, or Firm*—Banner & Witcoff, Ltd.

(51) **LOC (8) Cl.** ..... **16-02**  
(52) **U.S. Cl.** ..... **D16/230; D16/221; D16/225**  
(58) **Field of Classification Search** ..... D16/205,  
D16/208, 213, 221, 225, 230, 231, 234; D21/514;  
349/5, 7, 8, 9, 58; 352/34, 242; 353/115,  
353/119, 122

(57) **CLAIM**

The ornamental design for a liquid crystal projector, as shown and described.

See application file for complete search history.

**DESCRIPTION**

(56) **References Cited**

**U.S. PATENT DOCUMENTS**

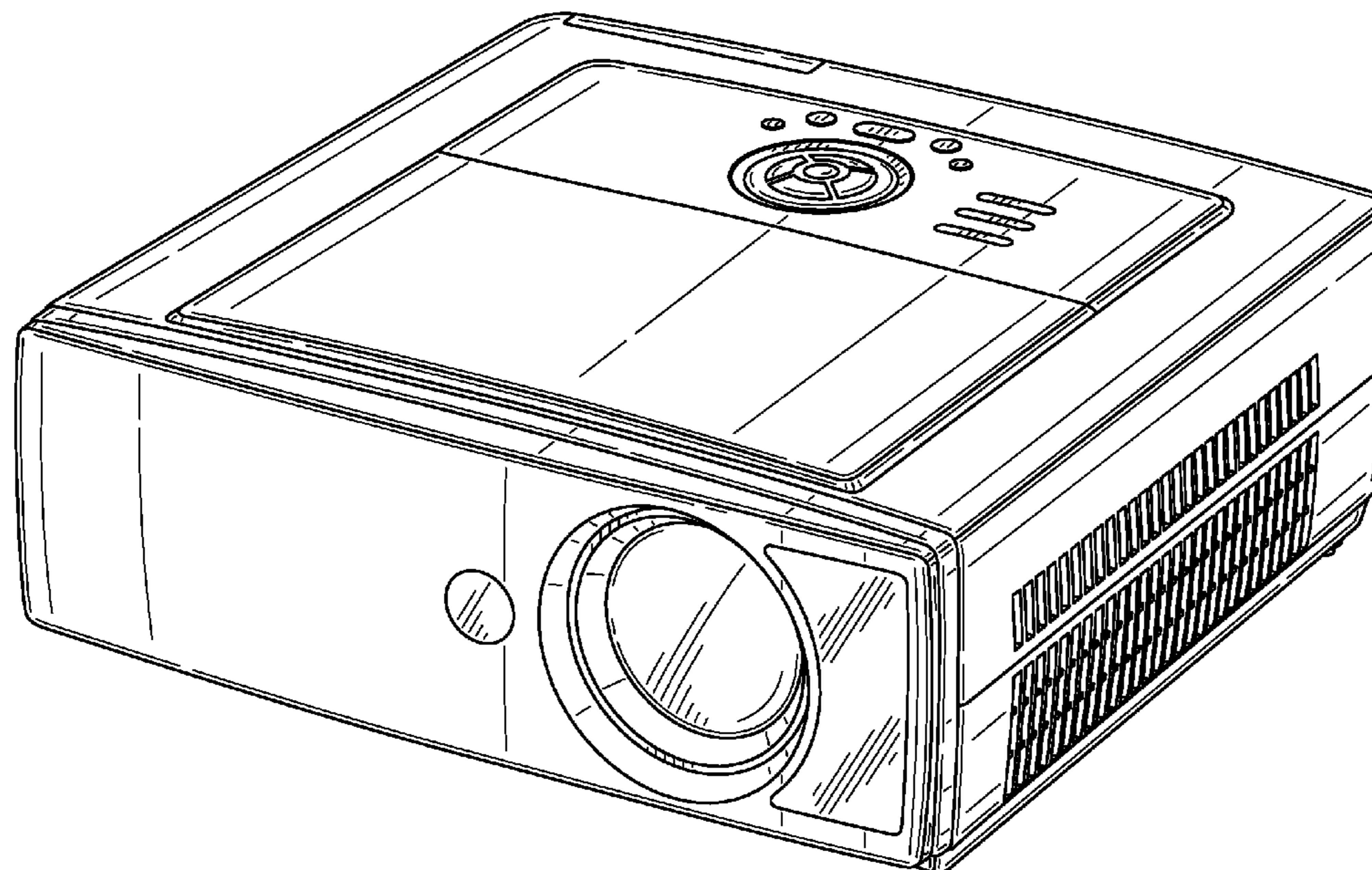
D449,331 S \* 10/2001 Kawahara et al. .... D16/230  
D467,604 S \* 12/2002 Niitsu ..... D16/230  
D477,833 S 7/2003 Kurokawa et al.  
D480,410 S \* 10/2003 Morishita et al. .... D16/230  
D491,973 S 6/2004 Morishita et al.  
D492,714 S \* 7/2004 Morishita et al. .... D16/231  
D499,753 S 12/2004 Shigemura et al.  
D506,771 S 6/2005 Ooshima et al.

FIG. 1 is a front, top and right side perspective view of a liquid crystal projector, showing my new design;  
FIG. 2 is a front elevational view thereof;  
FIG. 3 is a rear elevational view thereof;  
FIG. 4 is a top plan view thereof;  
FIG. 5 is a bottom plan view thereof;  
FIG. 6 is a right side elevational view thereof; and,  
FIG. 7 is a left side elevational view thereof.

**FOREIGN PATENT DOCUMENTS**

JP 904972 8/1994

**1 Claim, 5 Drawing Sheets**



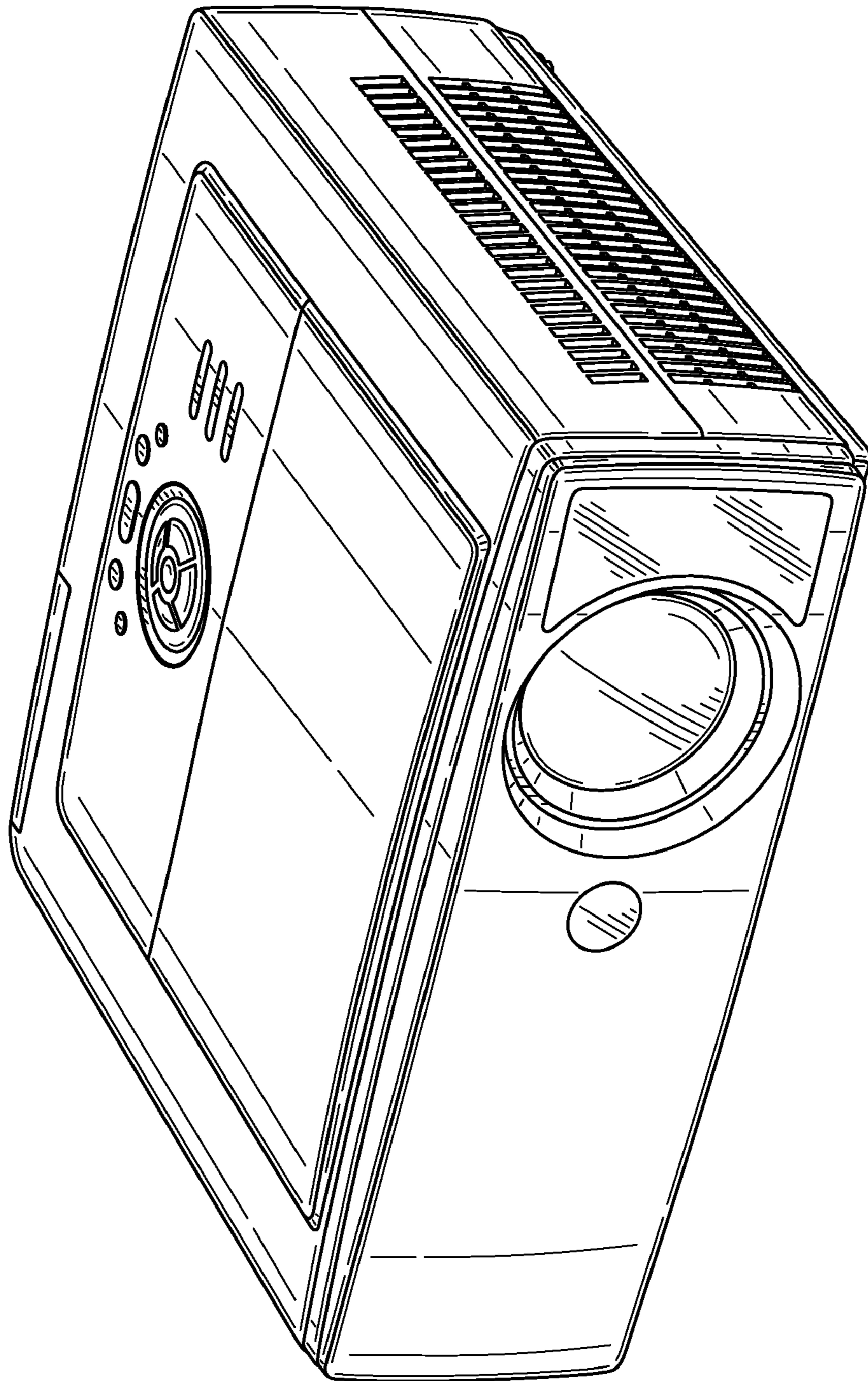


FIG. 1

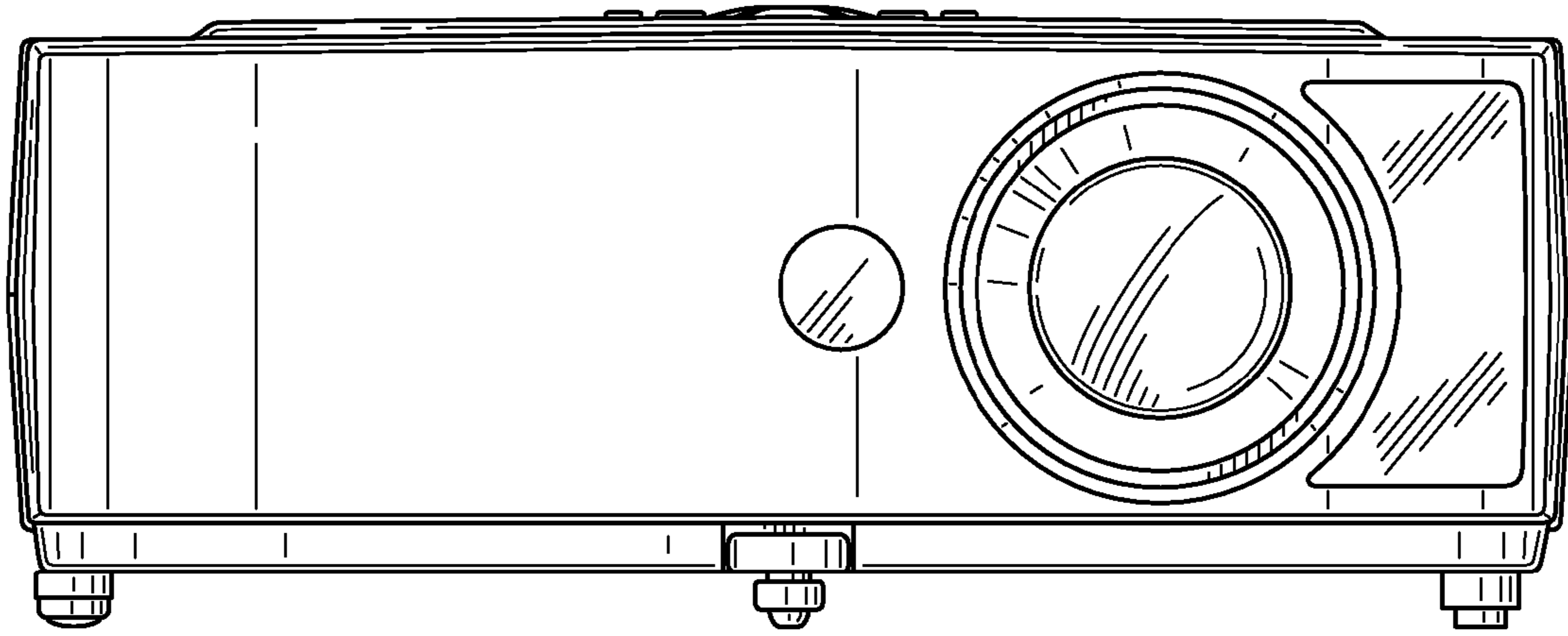


FIG. 2

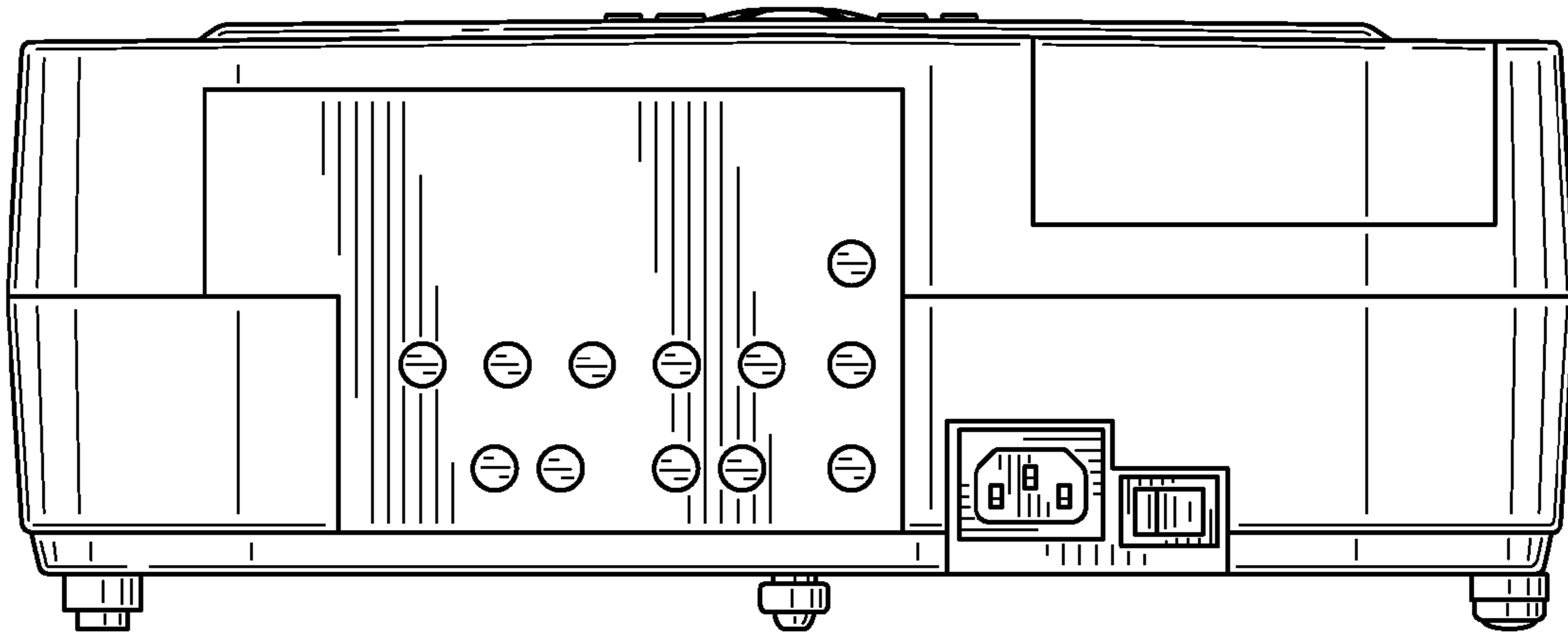


FIG. 3

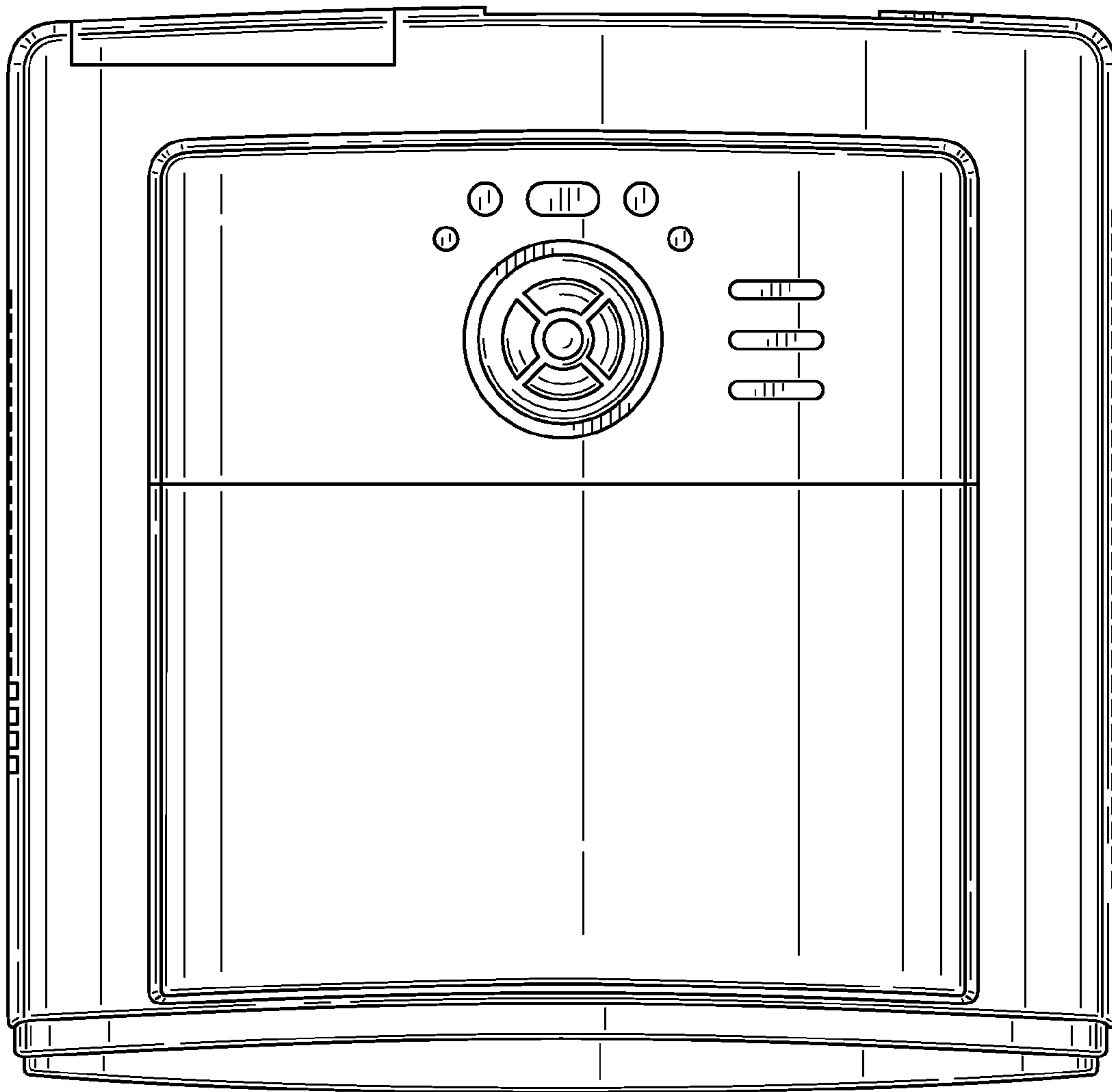


FIG. 4

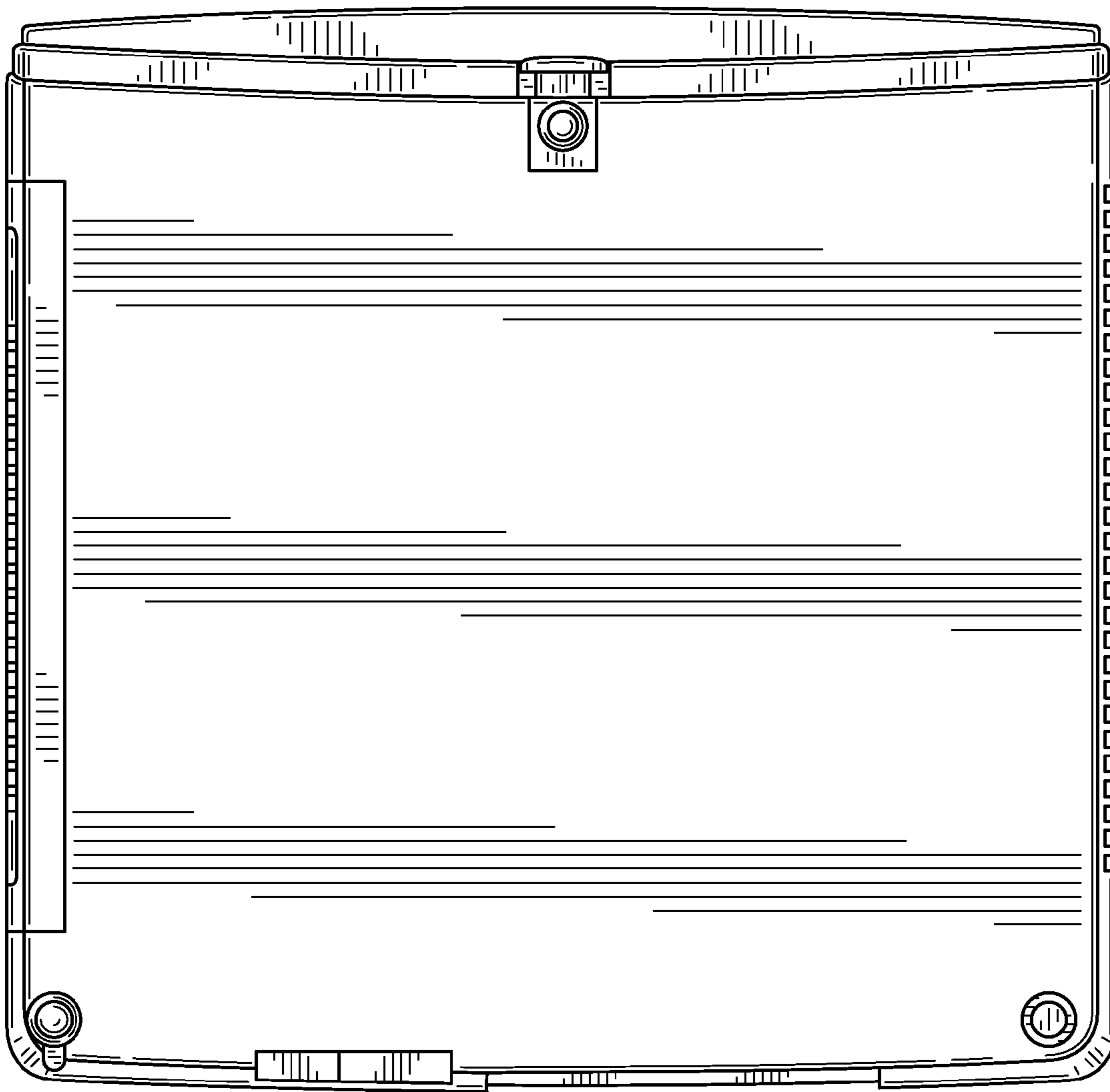


FIG. 5

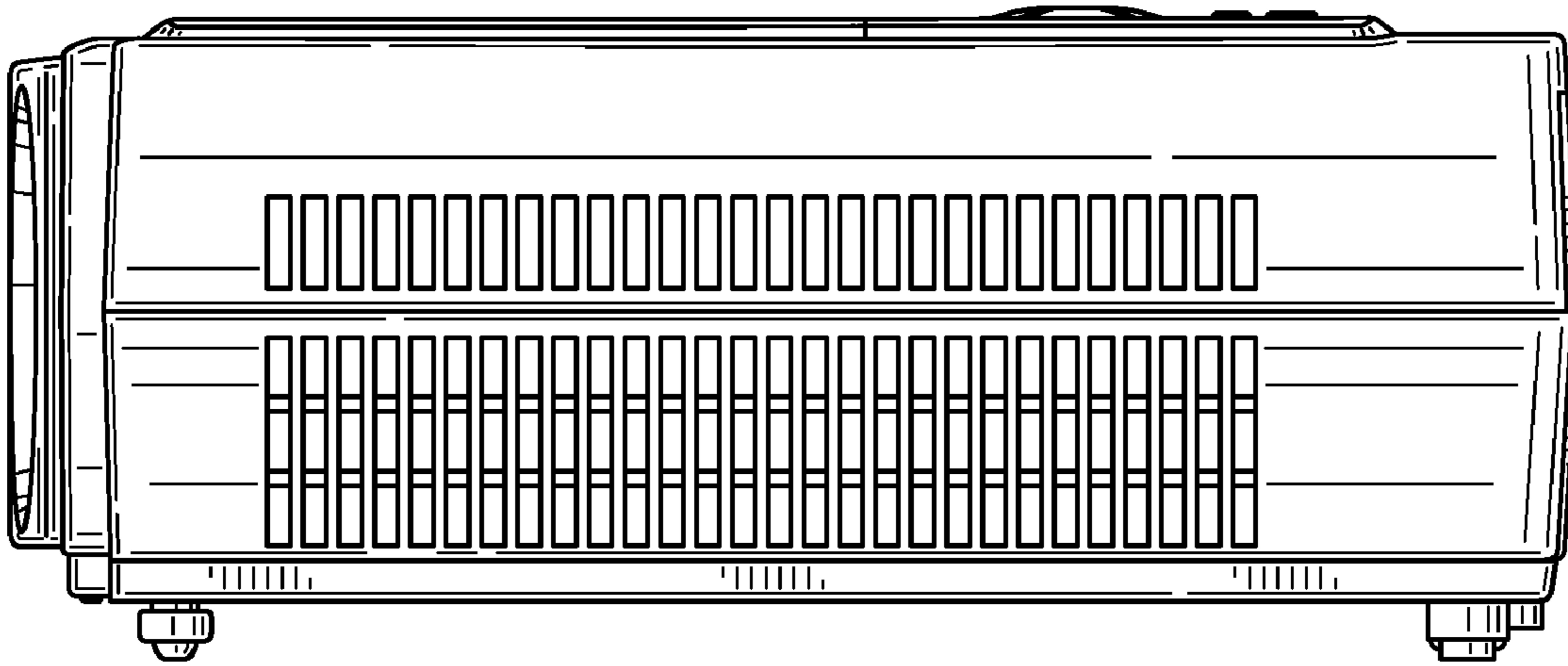


FIG. 6

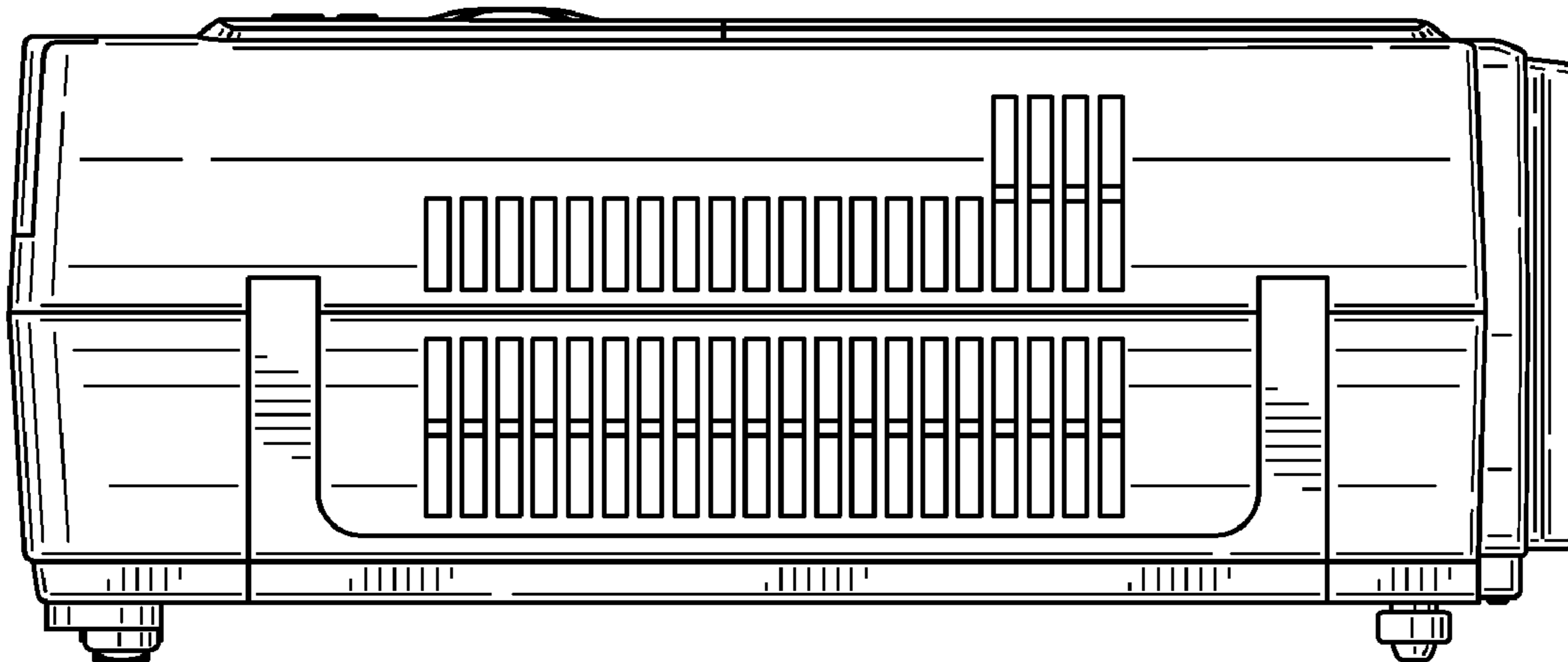


FIG. 7