



US00D550267S

(12) **United States Design Patent**
Oh et al.

(10) **Patent No.:** **US D550,267 S**

(45) **Date of Patent:** **** Sep. 4, 2007**

(54) **CAMERA**

(75) Inventors: **Anthony Kok Chong Oh**, Singapore (SG); **Kittichai Reawsanguanwong**, Singapore (SG)

(73) Assignee: **Creative Technology Ltd**, Singapore (SG)

(**) Term: **14 Years**

(21) Appl. No.: **29/251,071**

(22) Filed: **Jan. 3, 2006**

(51) **LOC (8) Cl.** **16-01**

(52) **U.S. Cl.** **D16/202**

(58) **Field of Classification Search** D16/200–205, D16/208, 218, 242; 248/121, 918; 348/14.01–14.1, 348/373–376; 396/419, 427, 535–541
See application file for complete search history.

(56) **References Cited**

U.S. PATENT DOCUMENTS

- D390,244 S * 2/1998 Yamakawa et al. D16/202
- D455,165 S * 4/2002 Tsang et al. D16/202
- 6,705,774 B2 * 3/2004 Tashiro et al. 396/427
- D505,146 S * 5/2005 Ou D16/203

- D527,405 S * 8/2006 Kim et al. D16/202
- D533,575 S * 12/2006 Reawsanguanwong et al. . D16/202

- D534,938 S * 1/2007 Beasley et al. D16/208
- D537,095 S * 2/2007 Alden et al. D16/202

* cited by examiner

Primary Examiner—Adir Aronovich

(74) *Attorney, Agent, or Firm*—P. Francois de Villiers

(57) **CLAIM**

The ornamental design for a camera, substantially as shown and described.

DESCRIPTION

FIG. 1 is a front perspective view of a camera in showing our new design;

FIG. 2 is a front view of the camera shown in FIG. 1;

FIG. 3 is a rear view of the camera shown in FIG. 1;

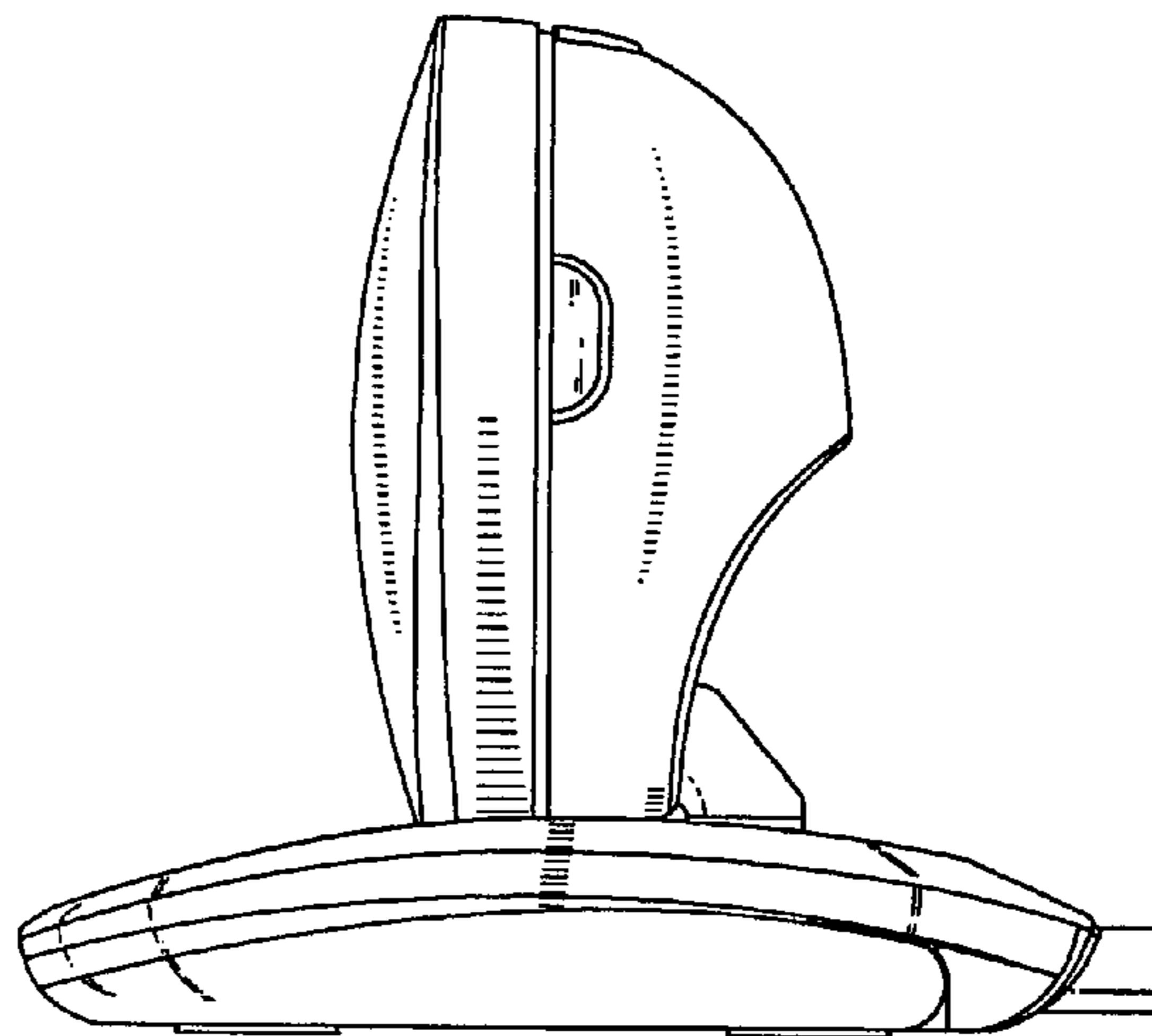
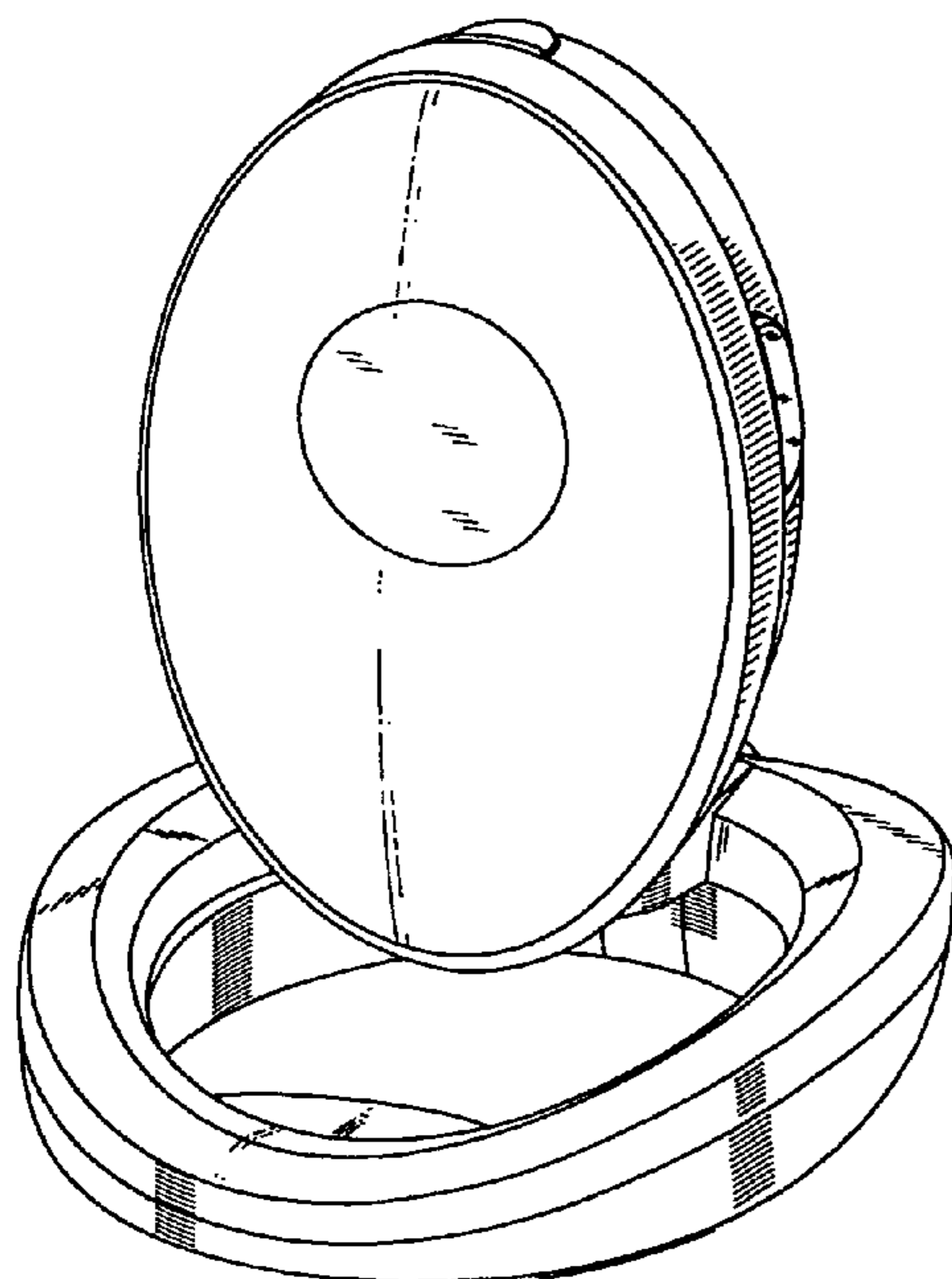
FIG. 4 is a right side view of the camera shown in FIG. 1;

FIG. 5 is a left side view of the camera shown in FIG. 1;

FIG. 6 is a top view of the camera shown in FIG. 1; and,

FIG. 7 is a bottom view of the camera shown in FIG. 1.

1 Claim, 4 Drawing Sheets



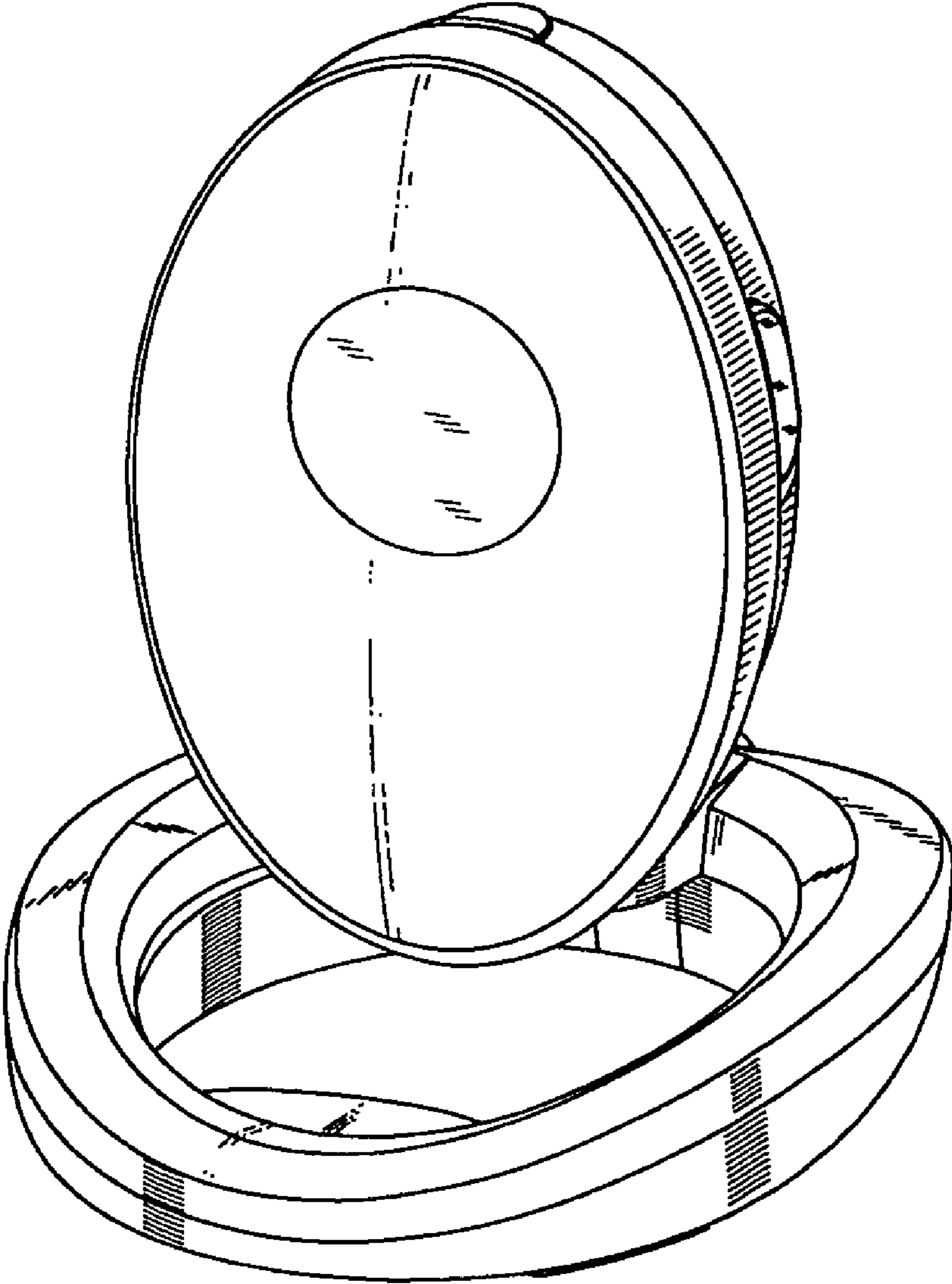


FIG. 1

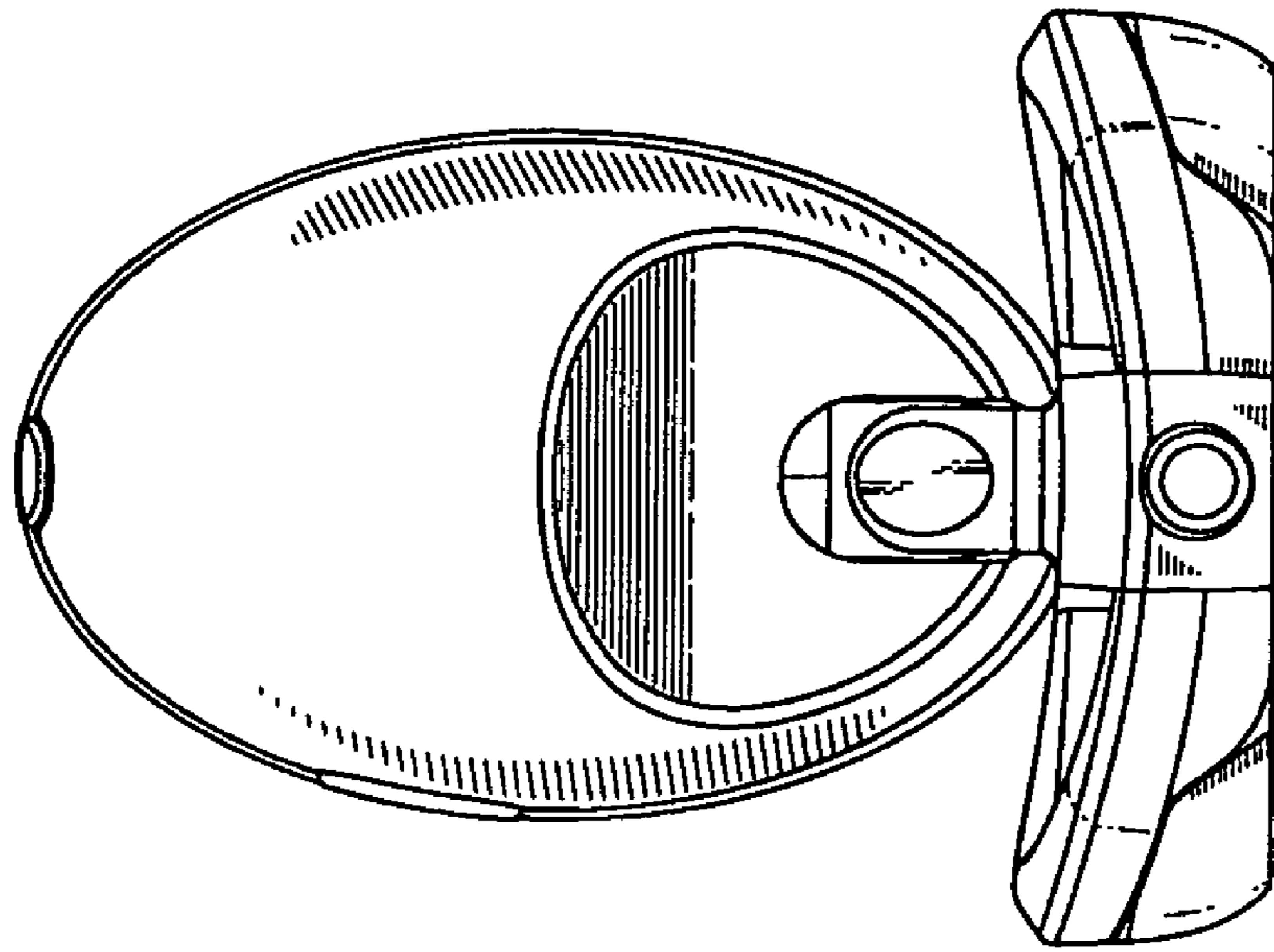


FIG. 3

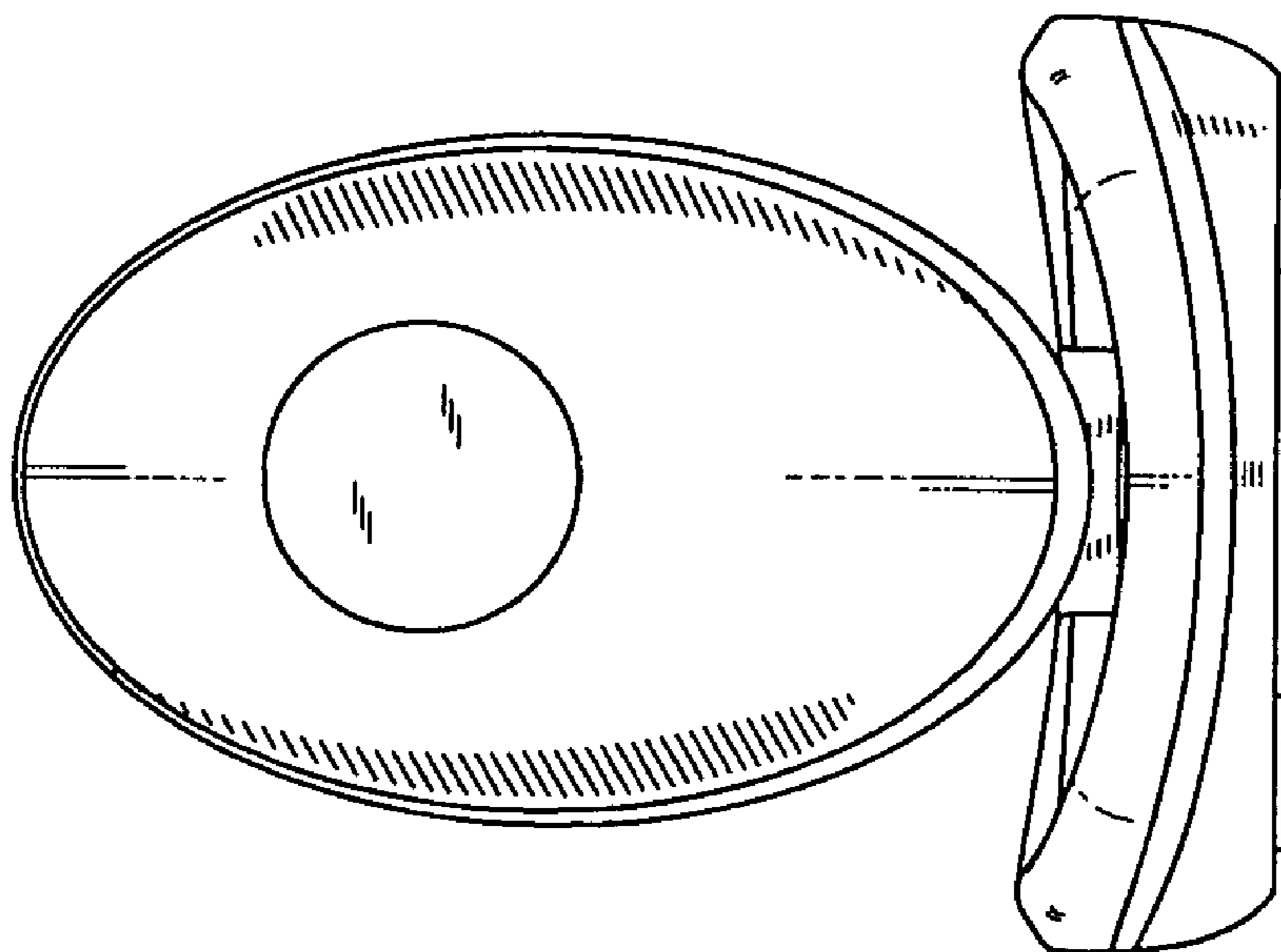


FIG. 2

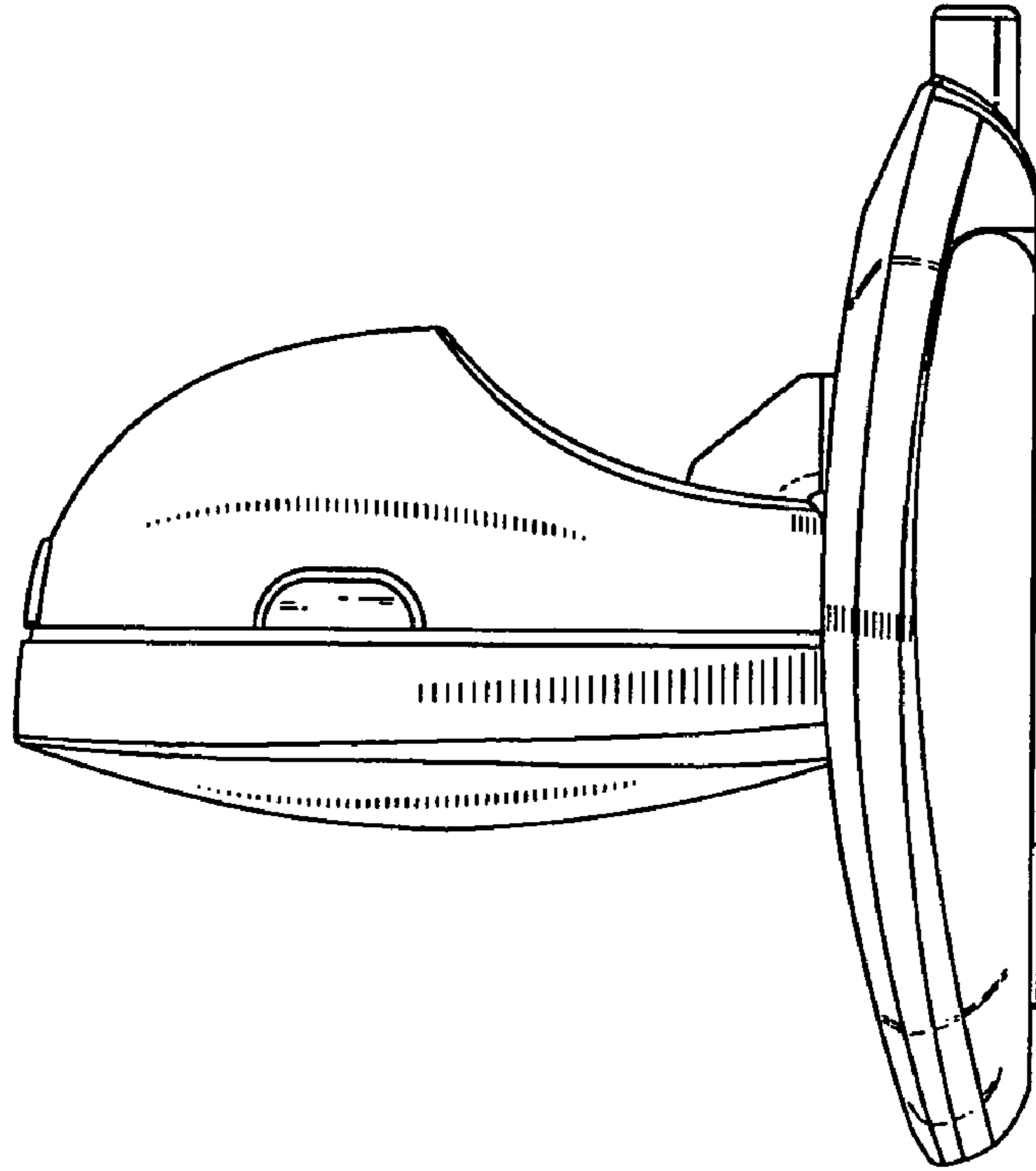


FIG. 4

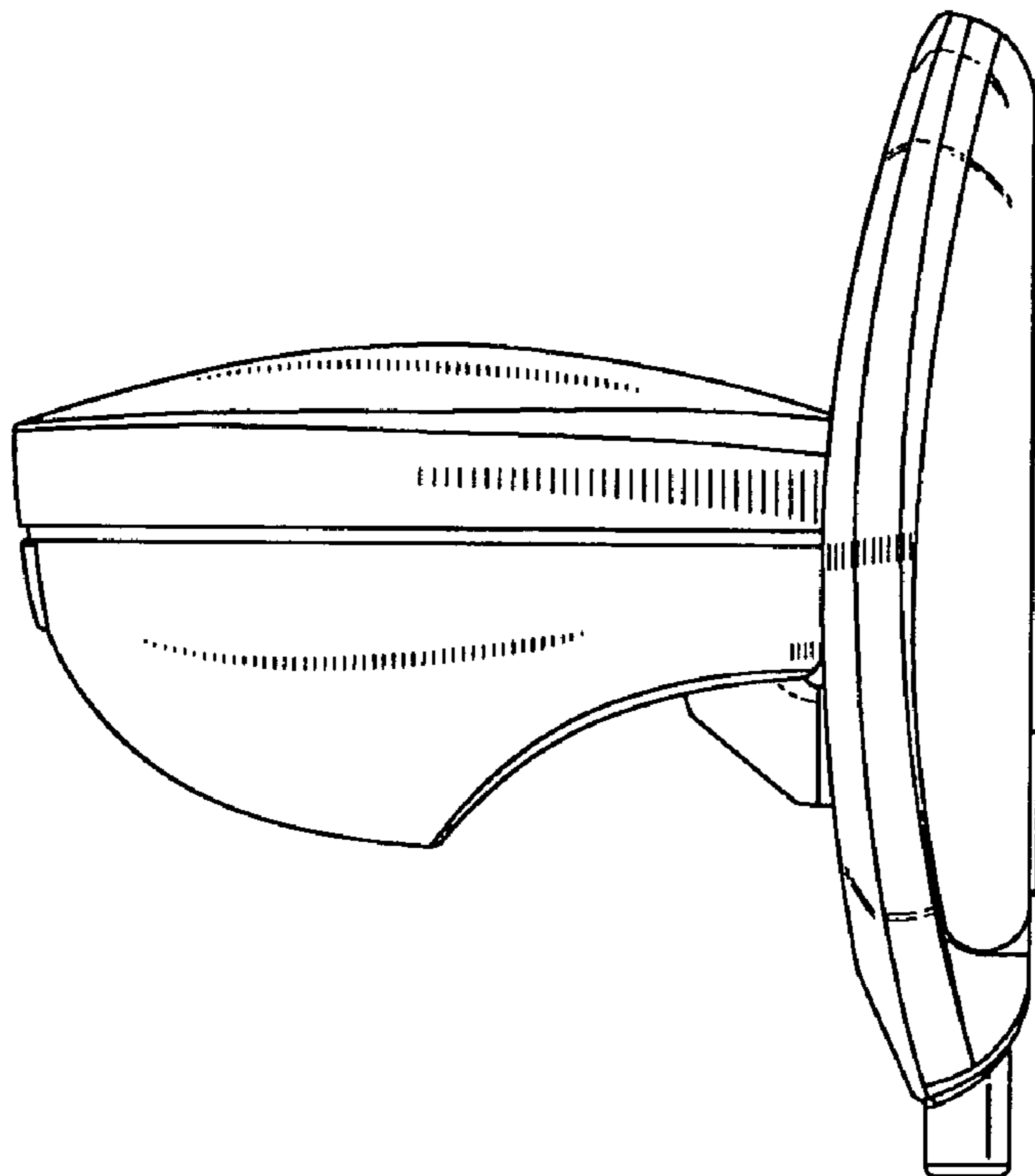


FIG. 5

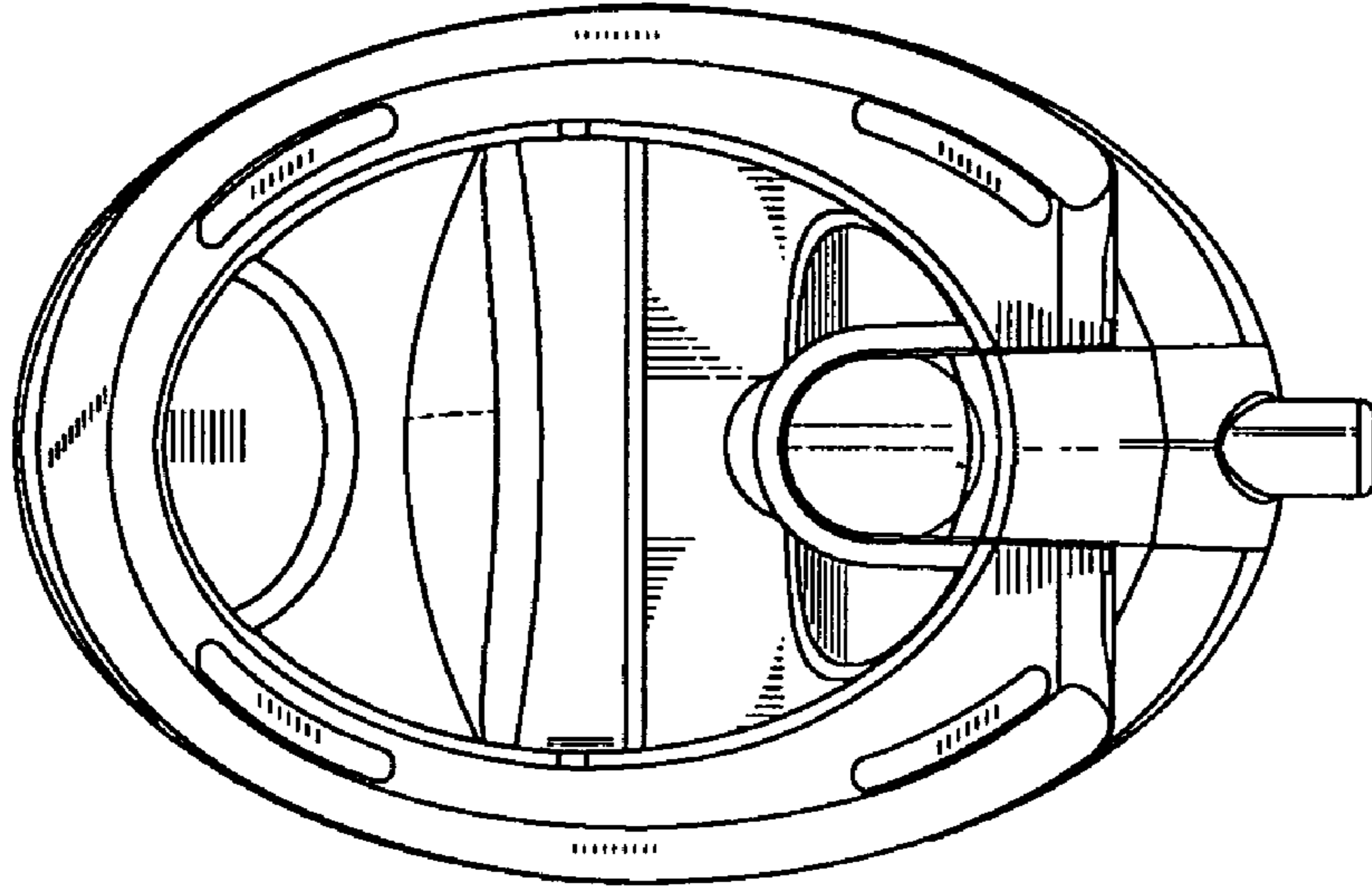


FIG. 7

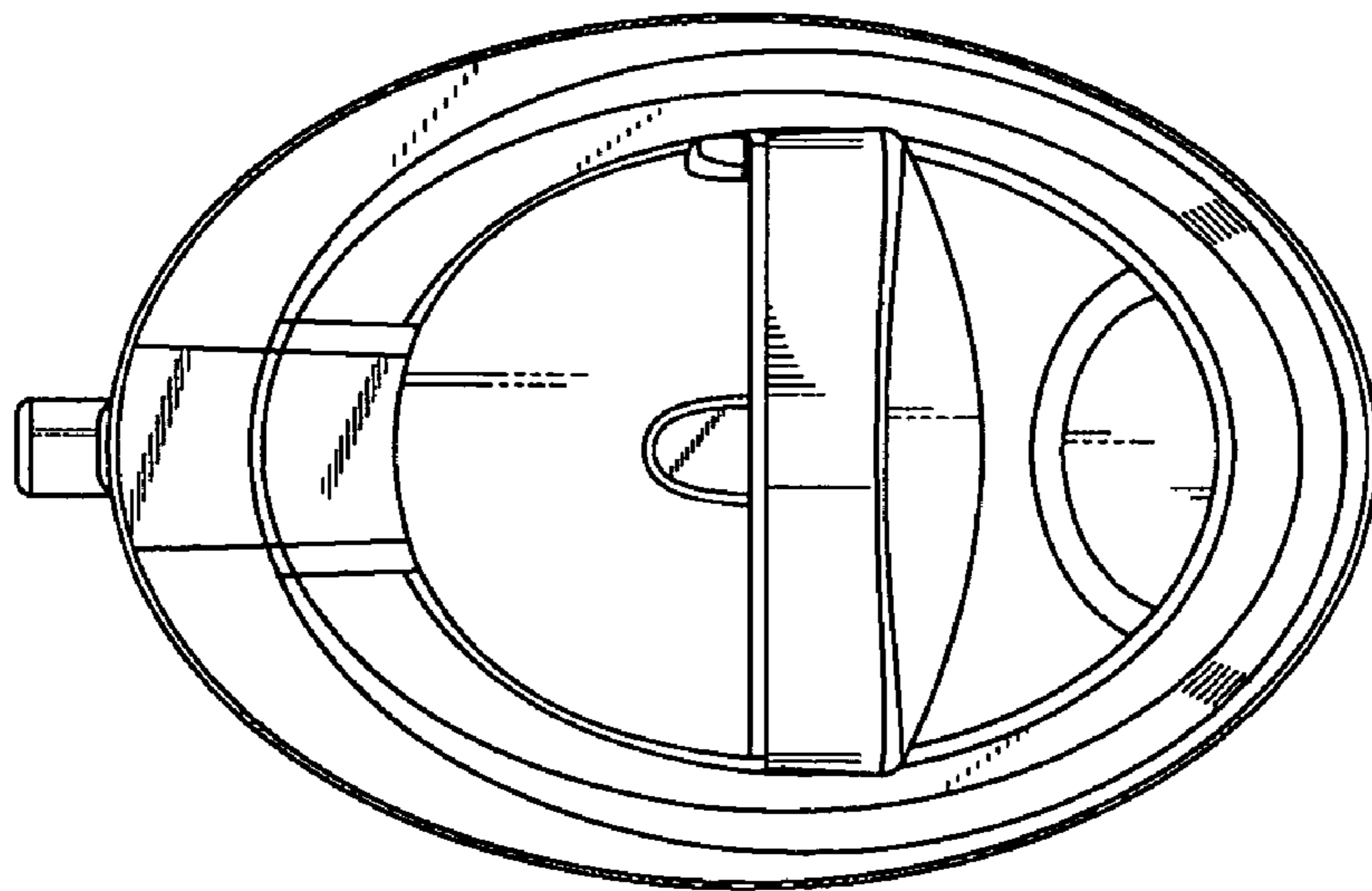


FIG. 6