



US00D550266S

(12) **United States Design Patent**  
**Lau**

(10) **Patent No.:** **US D550,266 S**

(45) **Date of Patent:** **\*\* Sep. 4, 2007**

(54) **CAMERA**

(75) Inventor: **Wee Min Alfred Lau**, Singapore (SG)

(73) Assignee: **Creative Technology Ltd**, Singapore (SG)

(\*\*) Term: **14 Years**

(21) Appl. No.: **29/251,068**

(22) Filed: **Jan. 3, 2006**

(51) **LOC (8) Cl.** ..... **16-01**

(52) **U.S. Cl.** ..... **D16/202**

(58) **Field of Classification Search** ..... D16/200–205,  
D16/208, 218, 242; 248/918; 348/14.01–14.1,  
348/373–376; 396/427, 428, 535–541  
See application file for complete search history.

(56) **References Cited**

**U.S. PATENT DOCUMENTS**

D355,920 S *	2/1995	Shinano	.....	D16/202
D475,385 S *	6/2003	Christianson	.....	D16/202
D476,345 S *	6/2003	Phelps et al.	.....	D16/202
6,831,697 B1 *	12/2004	Chang	.....	348/375
6,845,954 B1 *	1/2005	Moayer et al.	.....	348/373
D507,007 S *	7/2005	Sitoh et al.	.....	D16/202
7,048,454 B2 *	5/2006	Sitoh et al.	.....	396/428
2005/0247845 A1 *	11/2005	Li et al.	.....	248/918

**OTHER PUBLICATIONS**

AMAZON.COM web site feature Veo V710000 Wireless Observer Network Camera (802.11b) for sale, Date first available for sale on Amazon: Jun. 3, 2003, 1 page.

\* cited by examiner

*Primary Examiner*—Adir Aronovich

(74) *Attorney, Agent, or Firm*—P. Francois de Villiers

(57) **CLAIM**

The ornamental design for a camera, substantially as shown and described.

**DESCRIPTION**

FIG. 1 is a front and top perspective view of a camera in showing my new design;

FIG. 2 is a rear view of the camera shown in FIG. 1;

FIG. 3 is a front view of the camera shown in FIG. 1;

FIG. 4 is a top view of the camera shown in FIG. 1;

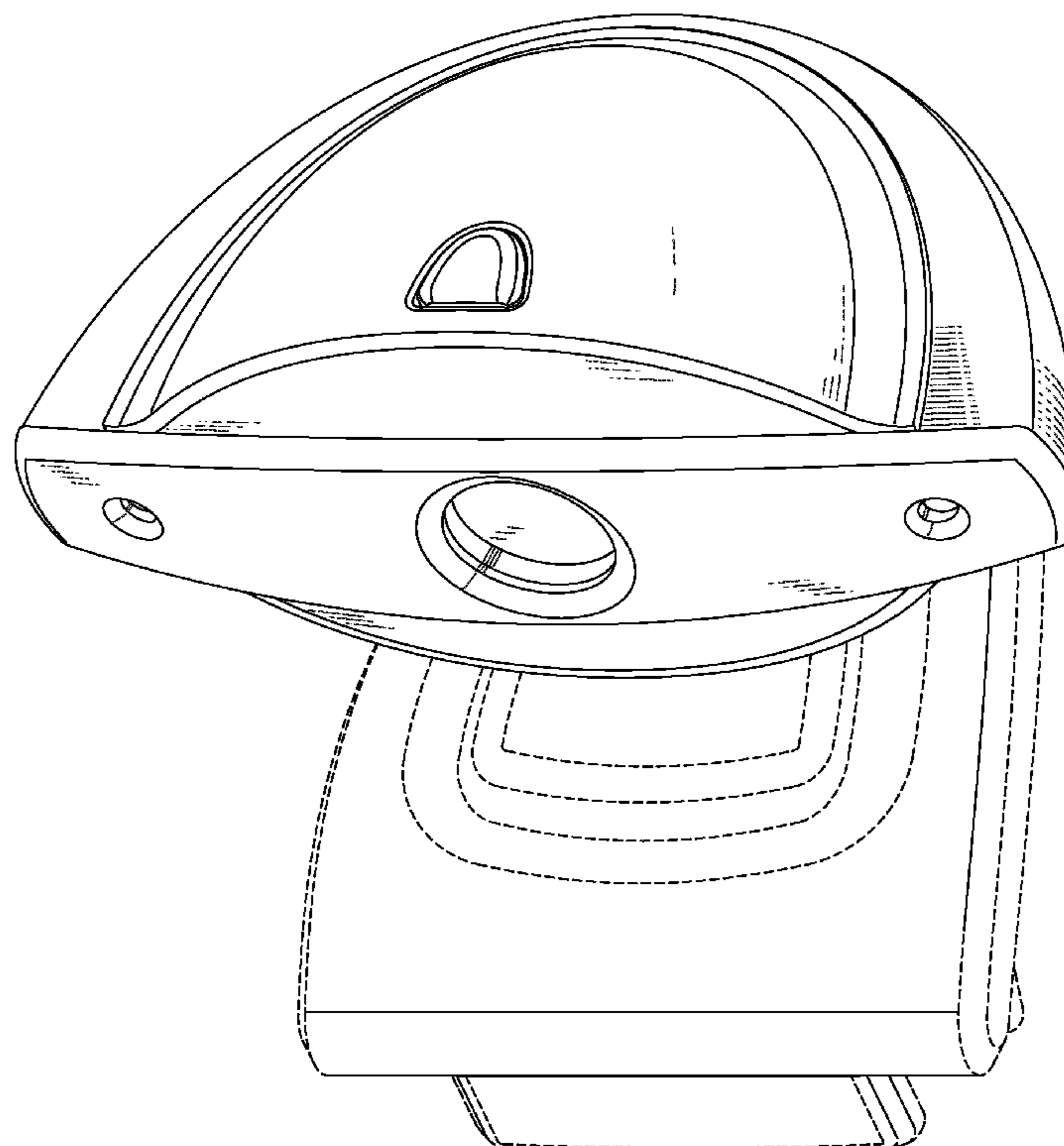
FIG. 5 is a bottom view of the camera shown in FIG. 1;

FIG. 6 is a left side view of the camera shown in FIG. 1; and,

FIG. 7 is right side view of the camera shown in FIG. 1.

Features illustrated in phantom using dashed lines (broken lines) are shown for exemplary purposes only and form no part of the claimed design.

**1 Claim, 4 Drawing Sheets**



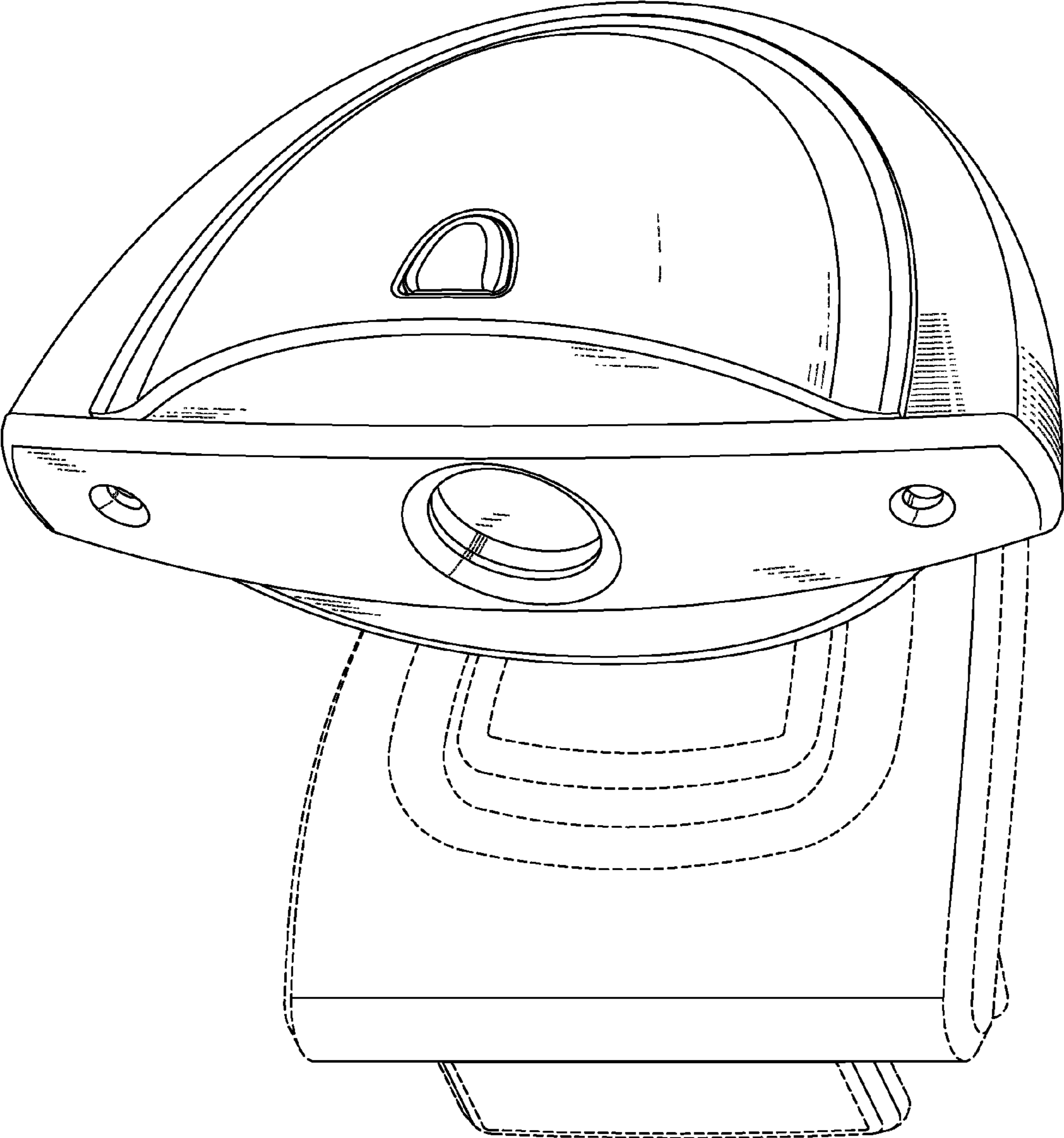


FIG. 1

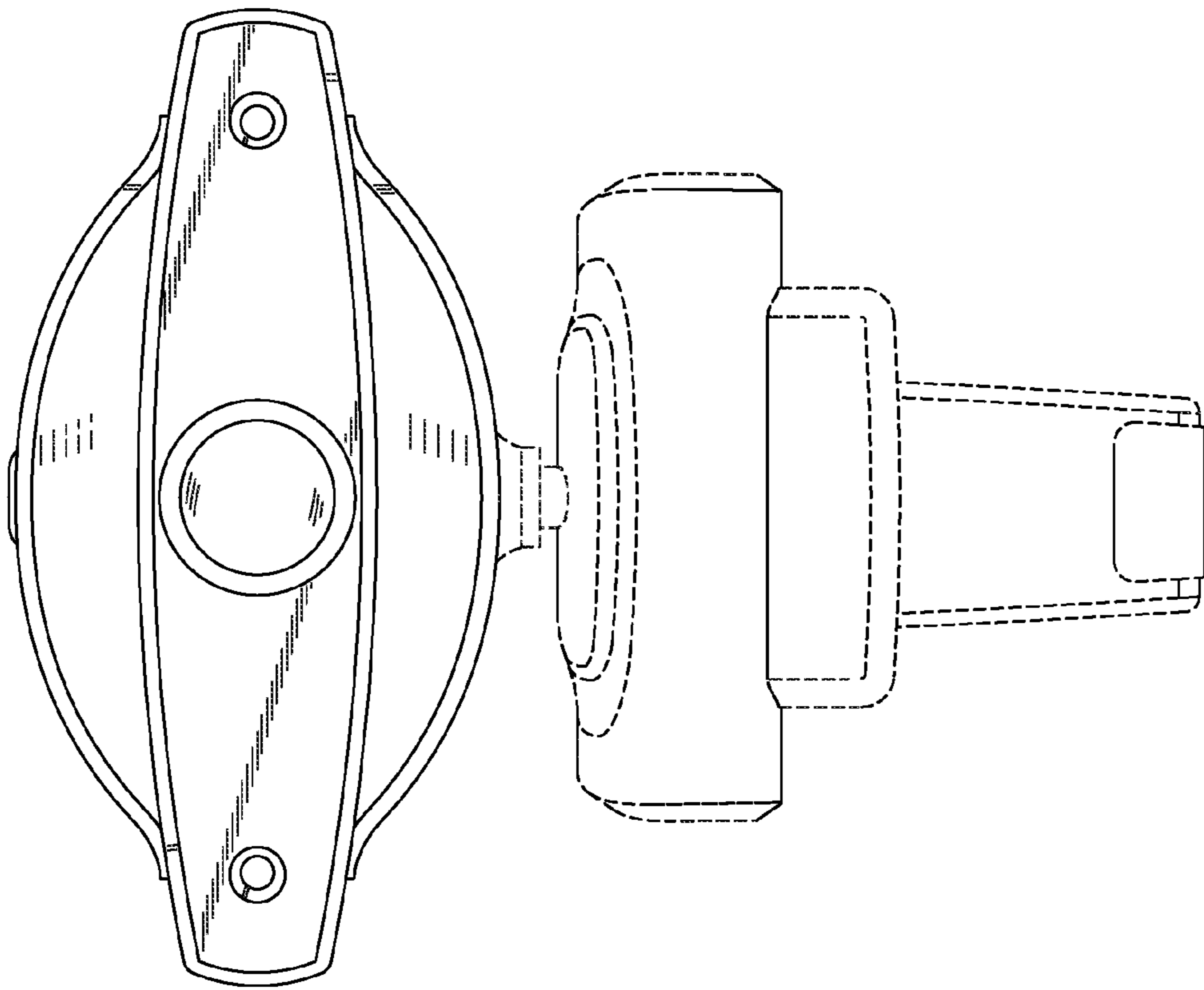


FIG. 3

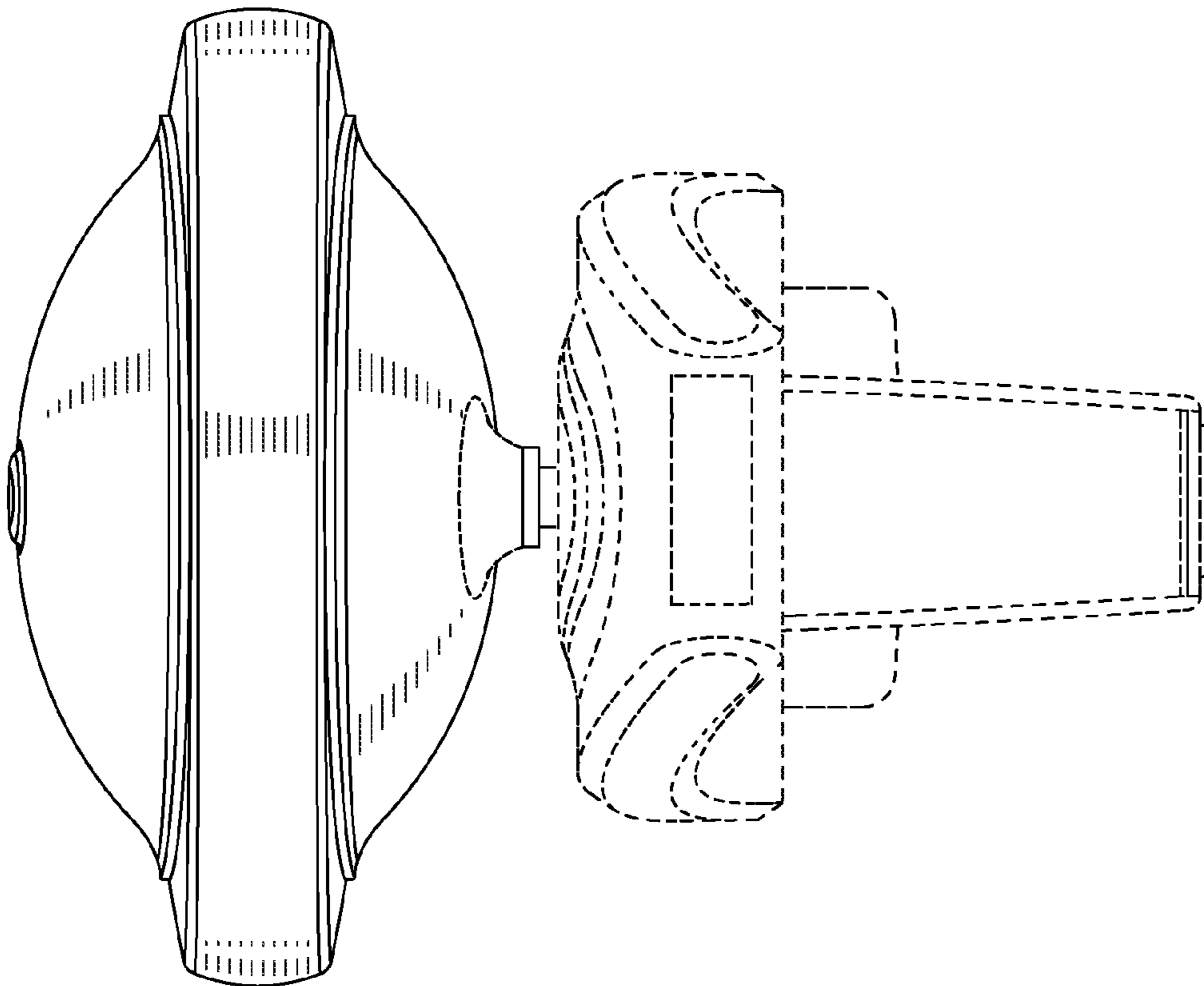


FIG. 2

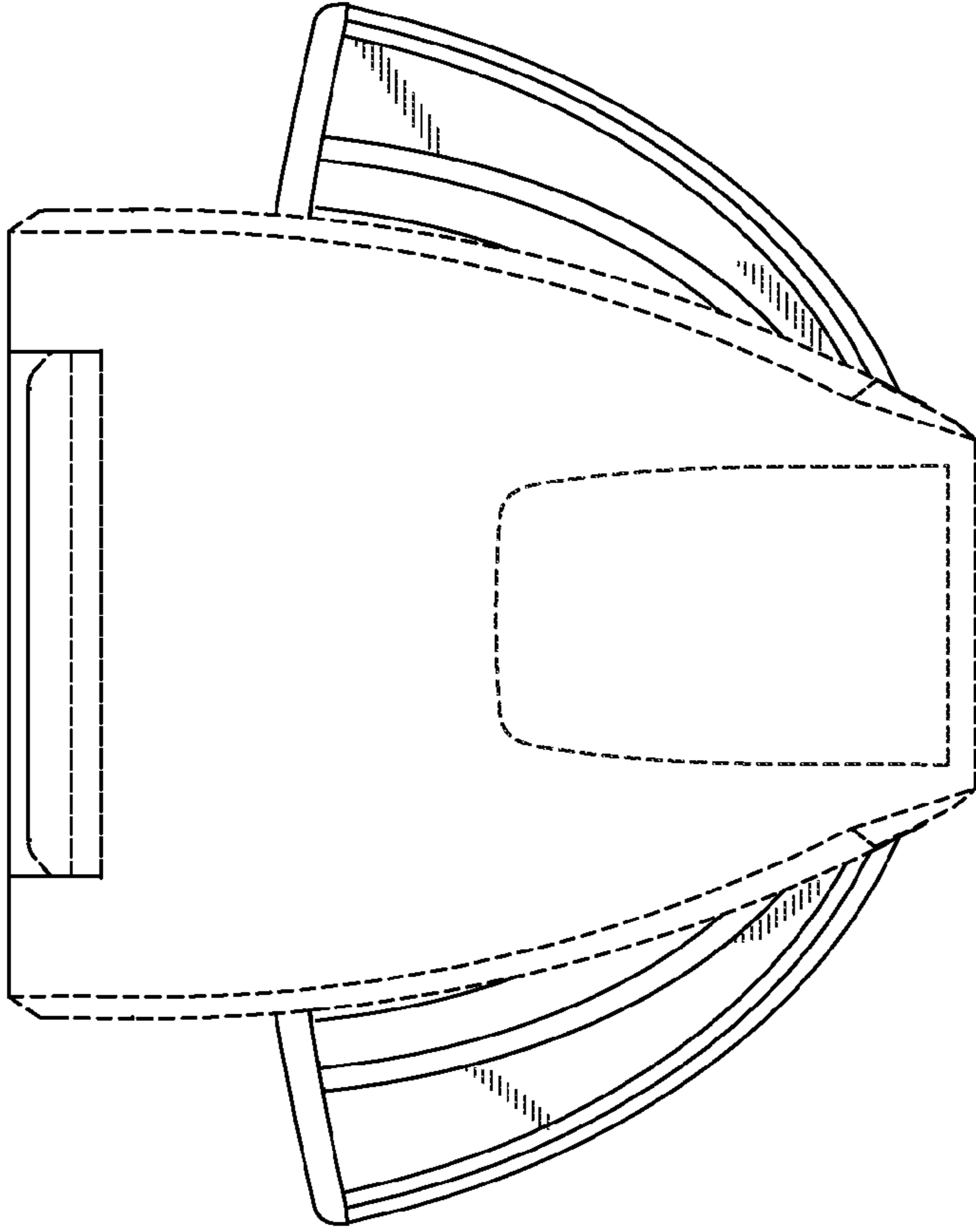


FIG. 5

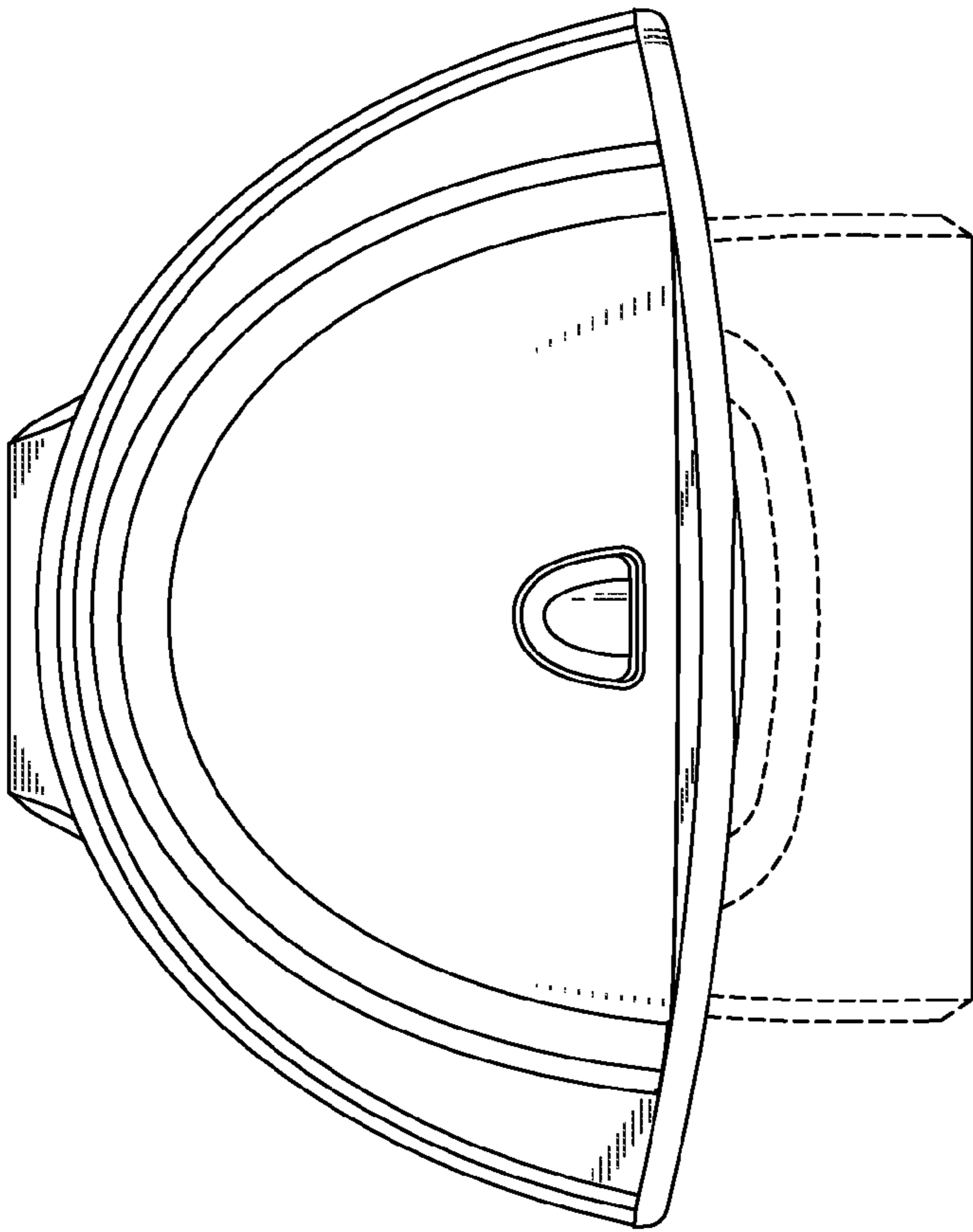


FIG. 4

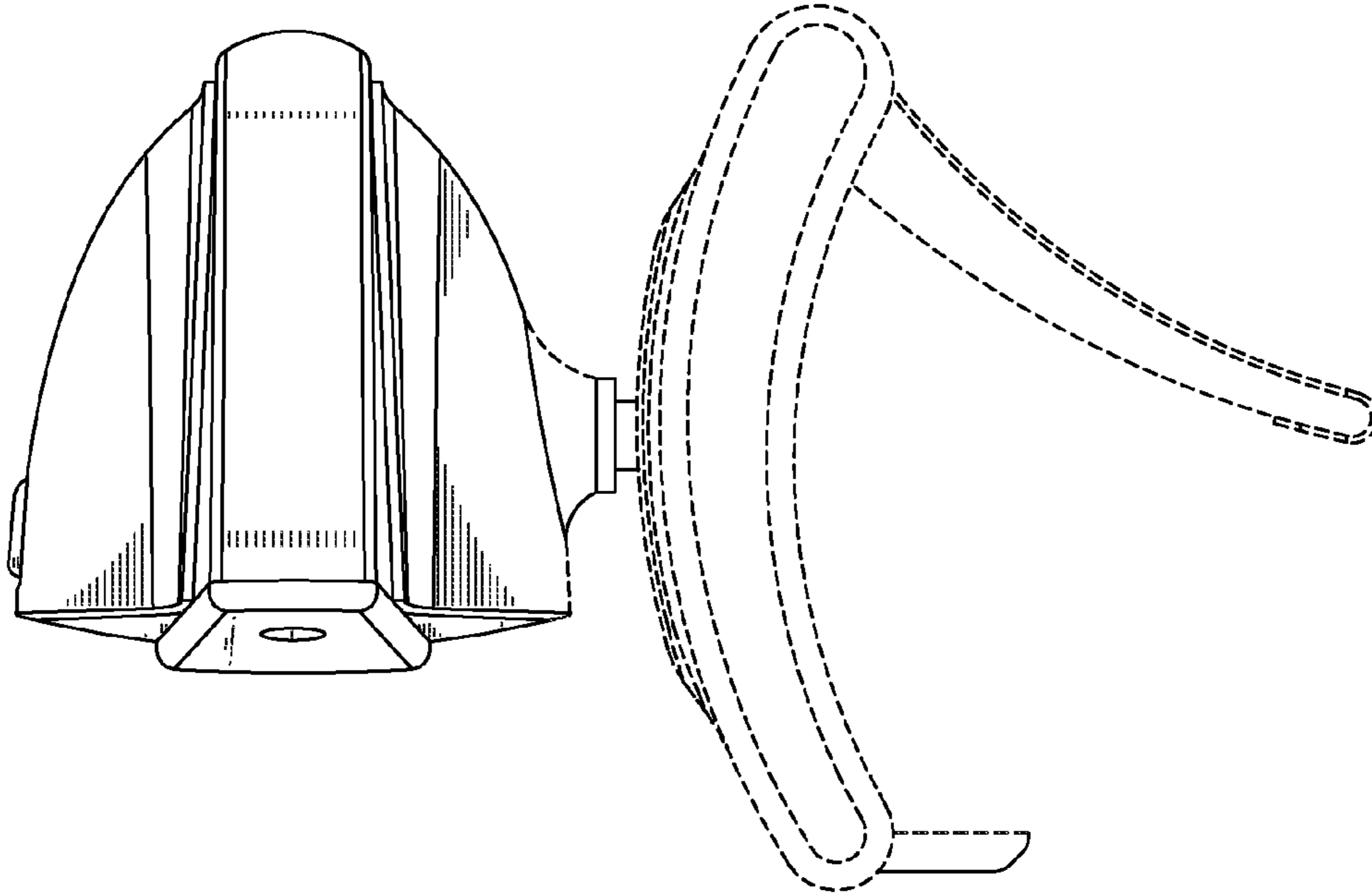


FIG. 7

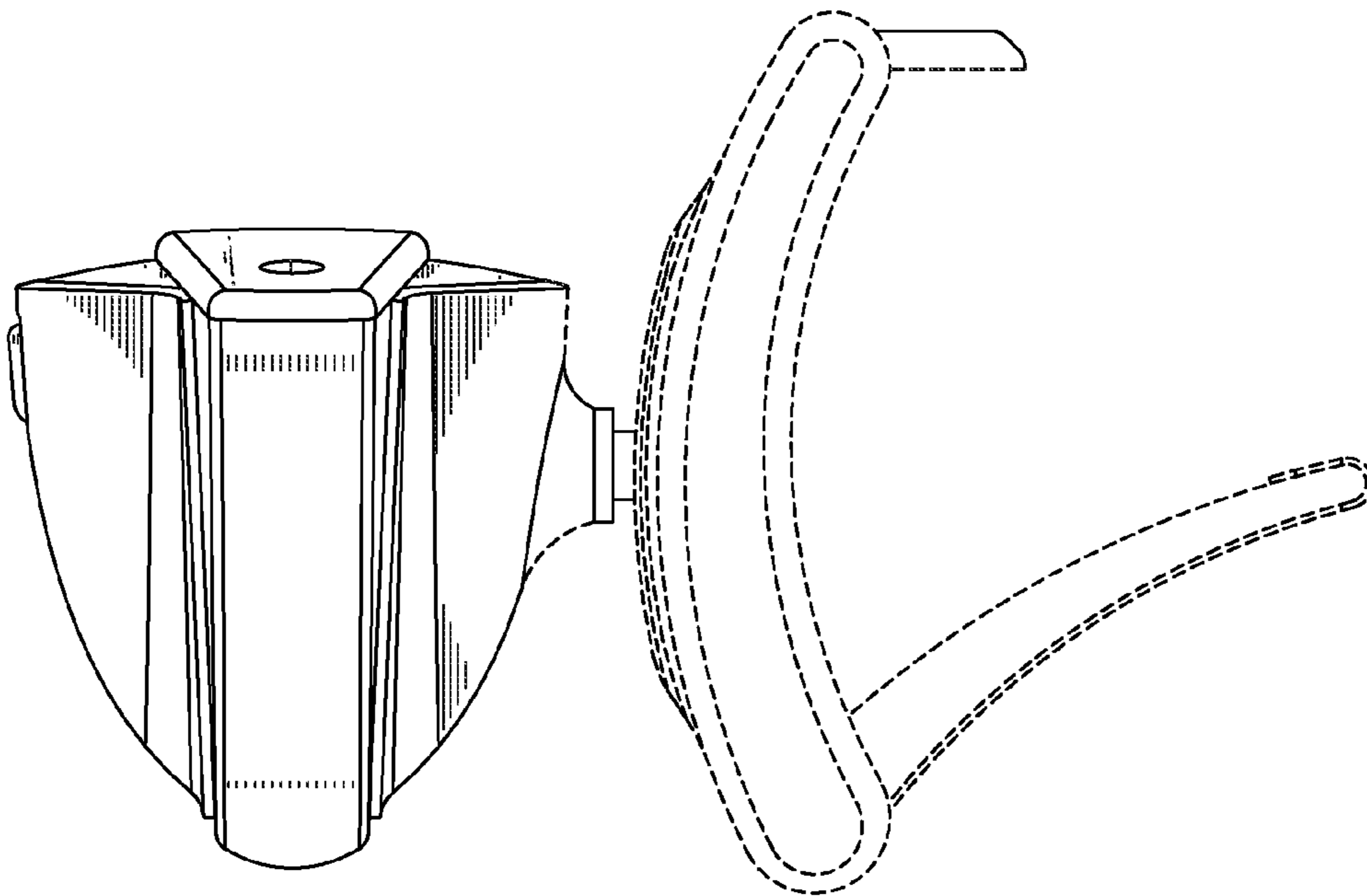


FIG. 6