



US00D550262S

(12) **United States Design Patent**
Wright

(10) **Patent No.:** **US D550,262 S**

(45) **Date of Patent:** **** Sep. 4, 2007**

(54) **WIDE FACETED SLOTTED GROUND JAW**

D502,476 S * 3/2005 Wright et al. D15/146
7,211,776 B2 * 5/2007 Jensen 219/765
2004/0166591 A1 * 8/2004 Niston 436/180

(75) Inventor: **Douglas F. Wright**, Tucson, AZ (US)

(73) Assignee: **Engineering & Research Associates, Inc.**, Tucson, AZ (US)

* cited by examiner

(**) Term: **14 Years**

Primary Examiner—Antoine D. Davis

Assistant Examiner—Patricia Palasik

(21) Appl. No.: **29/275,712**

(74) *Attorney, Agent, or Firm*—Cahill, von Hellens & Glazer P.L.C.

(22) Filed: **Jan. 4, 2007**

(57) **CLAIM**

(51) **LOC (8) Cl.** **15-99**

The ornamental design for a wide faceted slotted ground jaw, as shown and described.

(52) **U.S. Cl.** **D15/146**

(58) **Field of Classification Search** D15/21,
D15/28, 138, 139, 145, 146; 156/273.7,
156/274.4, 274.6, 358, 380.1, 380.3, 380.6,
156/380.7, 477.1–489, 583.9; 219/632, 736,
219/757, 765, 769, 770, 774, 777, 778
See application file for complete search history.

DESCRIPTION

FIG. 1 is a perspective view of a wide faceted slotted ground jaw showing my design, the tubing sealer shown in dashed lines is included as part of the environment of my invention and forms no part of the claimed design;

(56) **References Cited**

U.S. PATENT DOCUMENTS

3,932,277 A * 1/1976 McDermott et al. 210/780
4,186,292 A * 1/1980 Acker 219/769
4,490,598 A * 12/1984 Minney et al. 219/769
4,496,819 A * 1/1985 Acker et al. 219/769
D280,515 S * 9/1985 Minney et al. D15/146
D340,730 S * 10/1993 Myers D15/146
D385,894 S * 11/1997 Linner D15/146
D494,608 S * 8/2004 Wright D15/146
6,784,407 B2 * 8/2004 Wright et al. 219/769
D502,475 S * 3/2005 Wright et al. D15/146

FIG. 2 is a top front right view thereof;

FIG. 3 is a top rear left view thereof;

FIG. 4 is a top plan view thereof;

FIG. 5 is a front elevational view thereof;

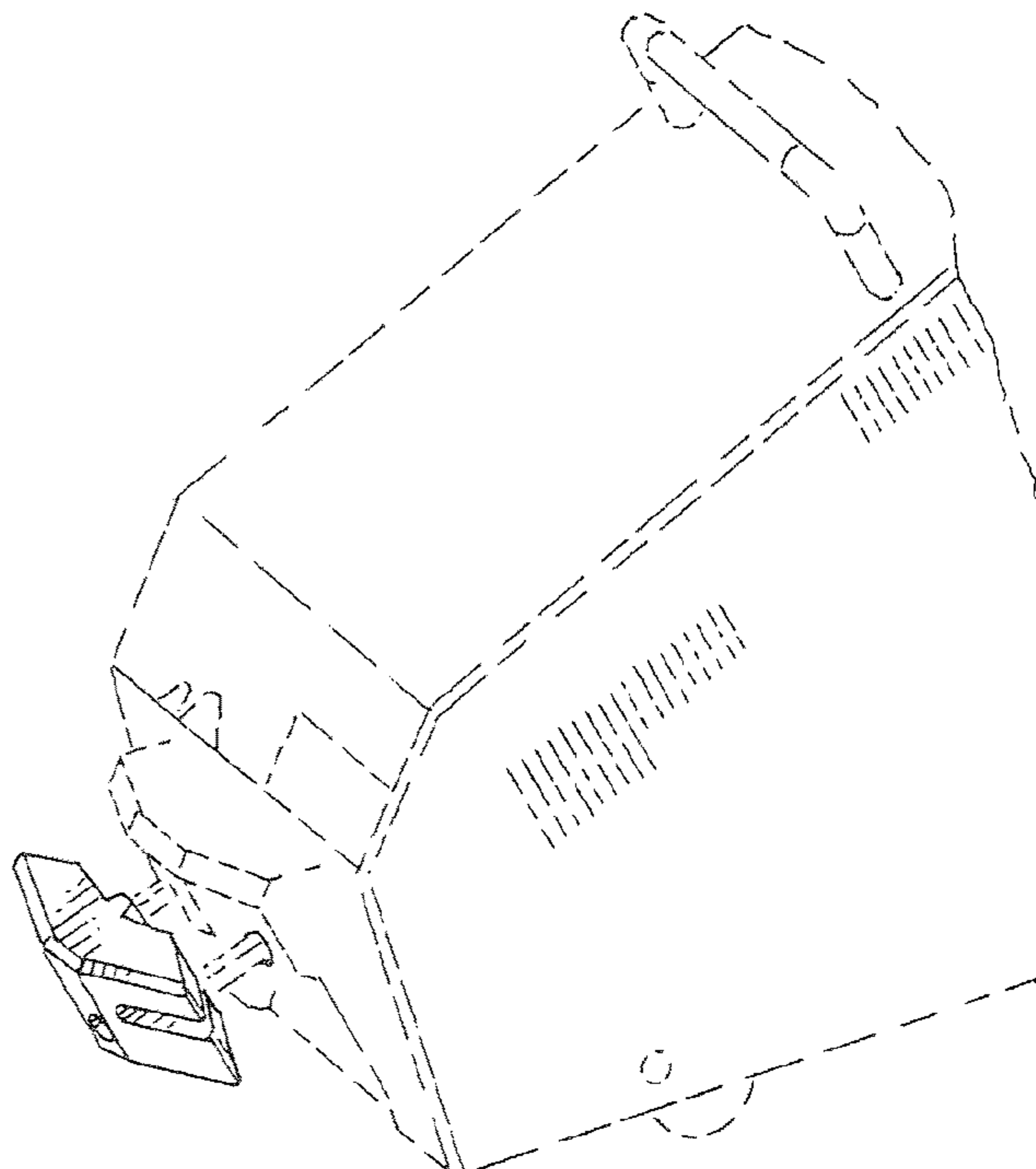
FIG. 6 is a rear elevational view thereof;

FIG. 7 is a bottom plan view thereof; and

FIG. 8 is a right side elevational view thereof; and,

FIG. 9 is a left side elevational view thereof.

1 Claim, 2 Drawing Sheets



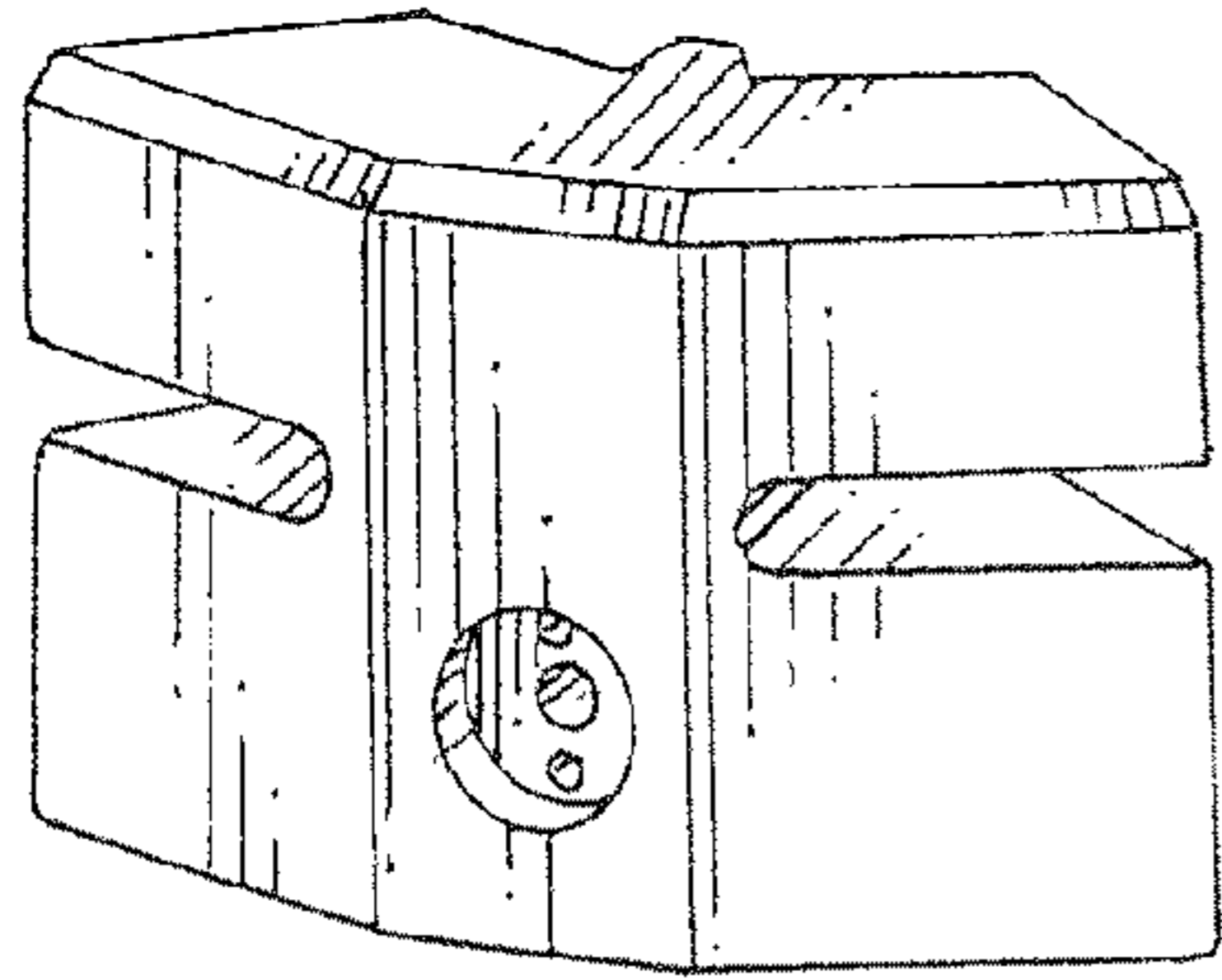


Fig. 2

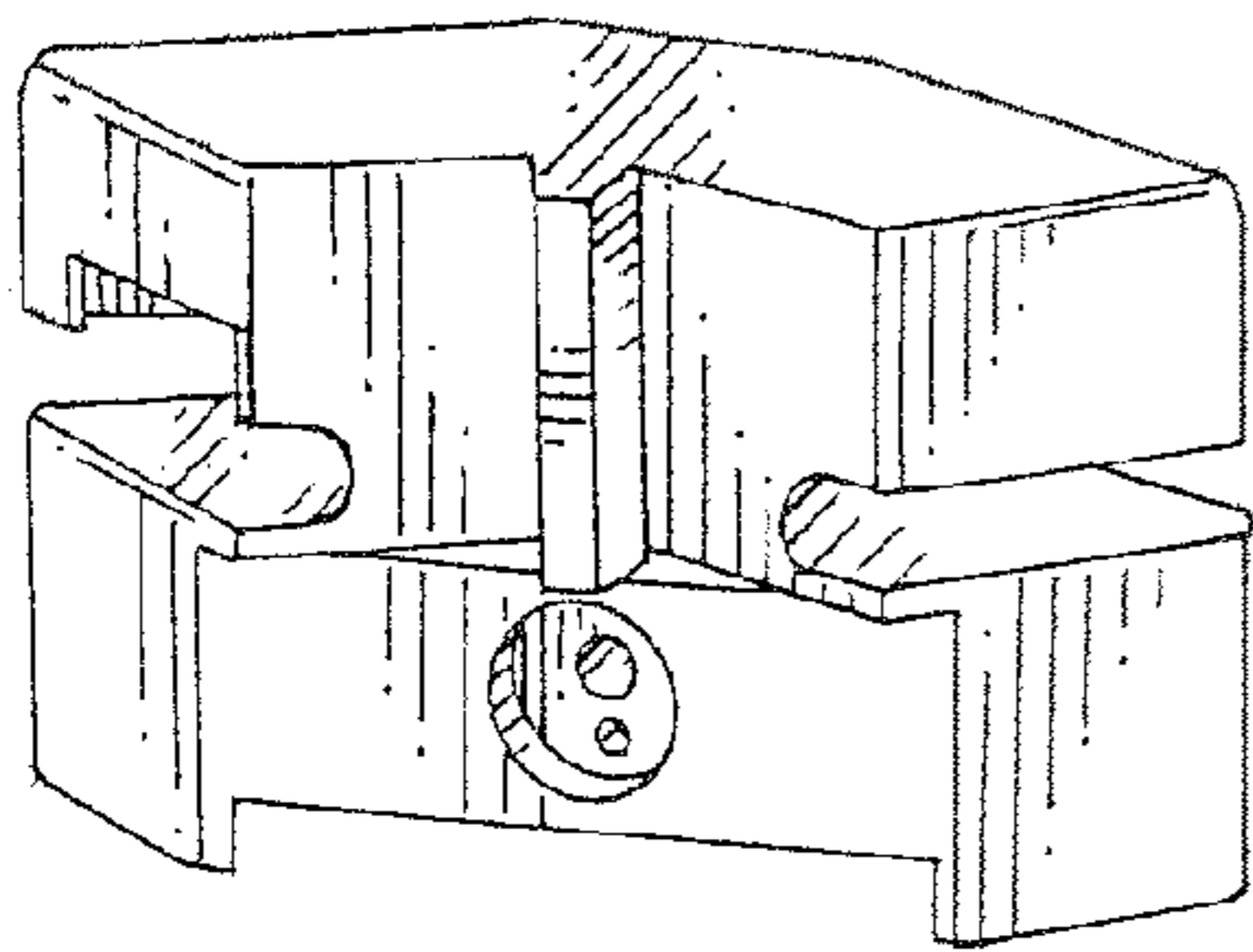


Fig. 3

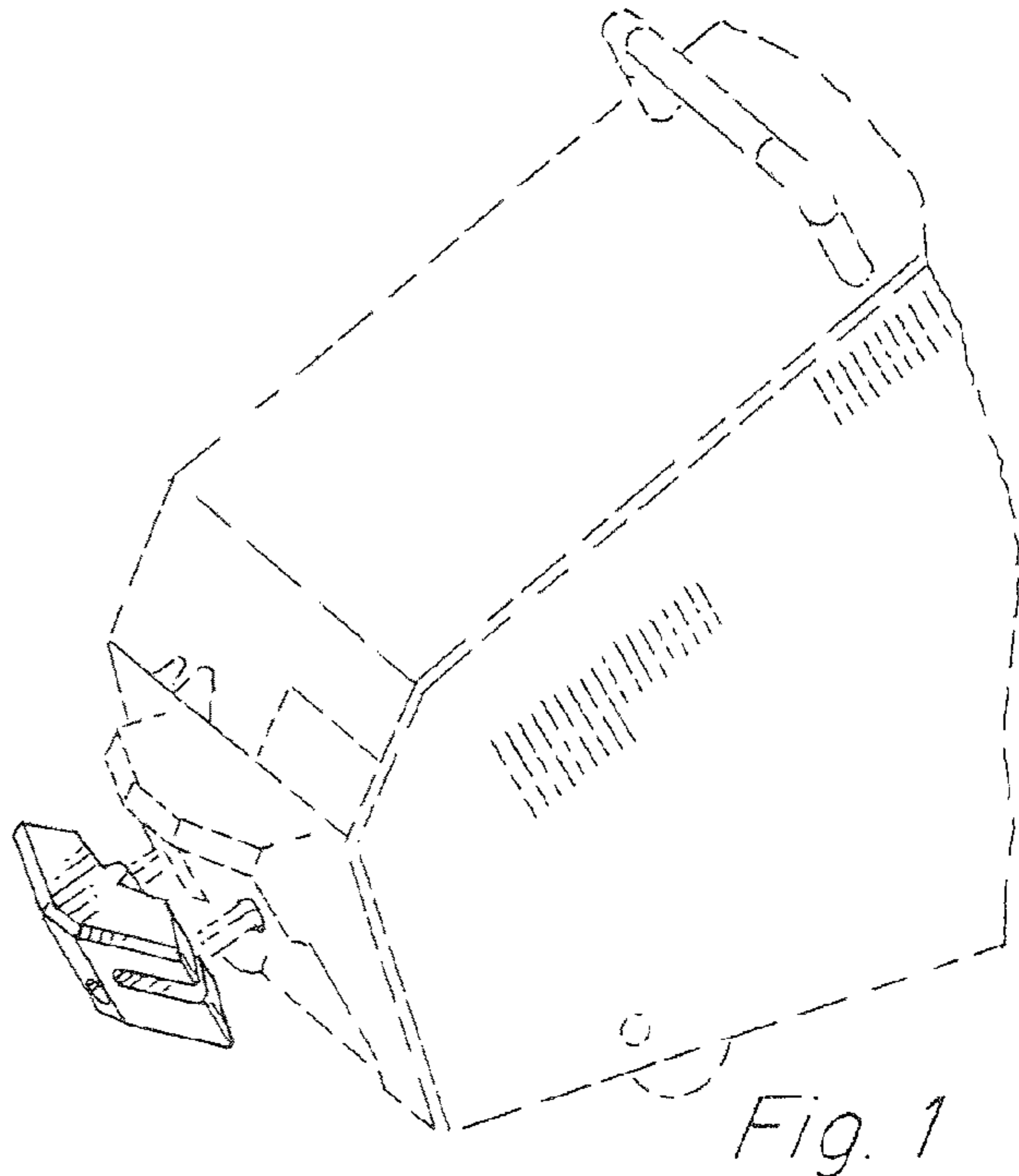


Fig. 1

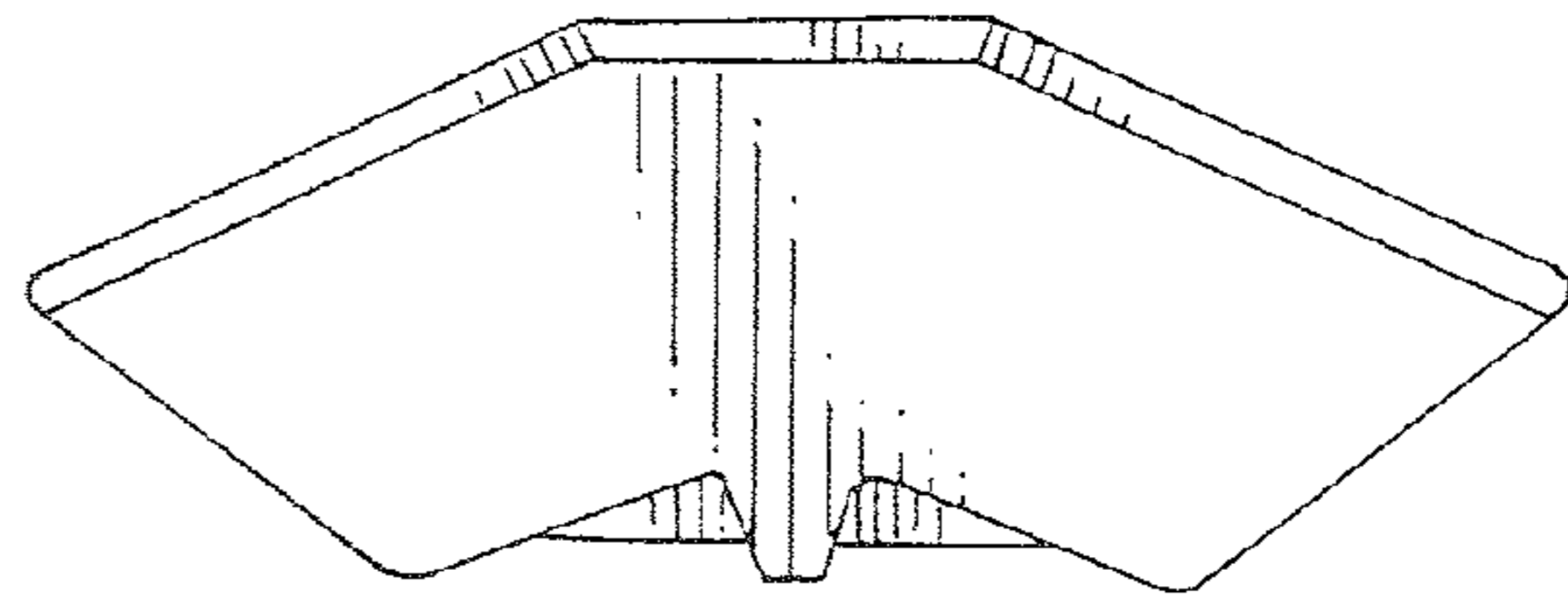


Fig. 4

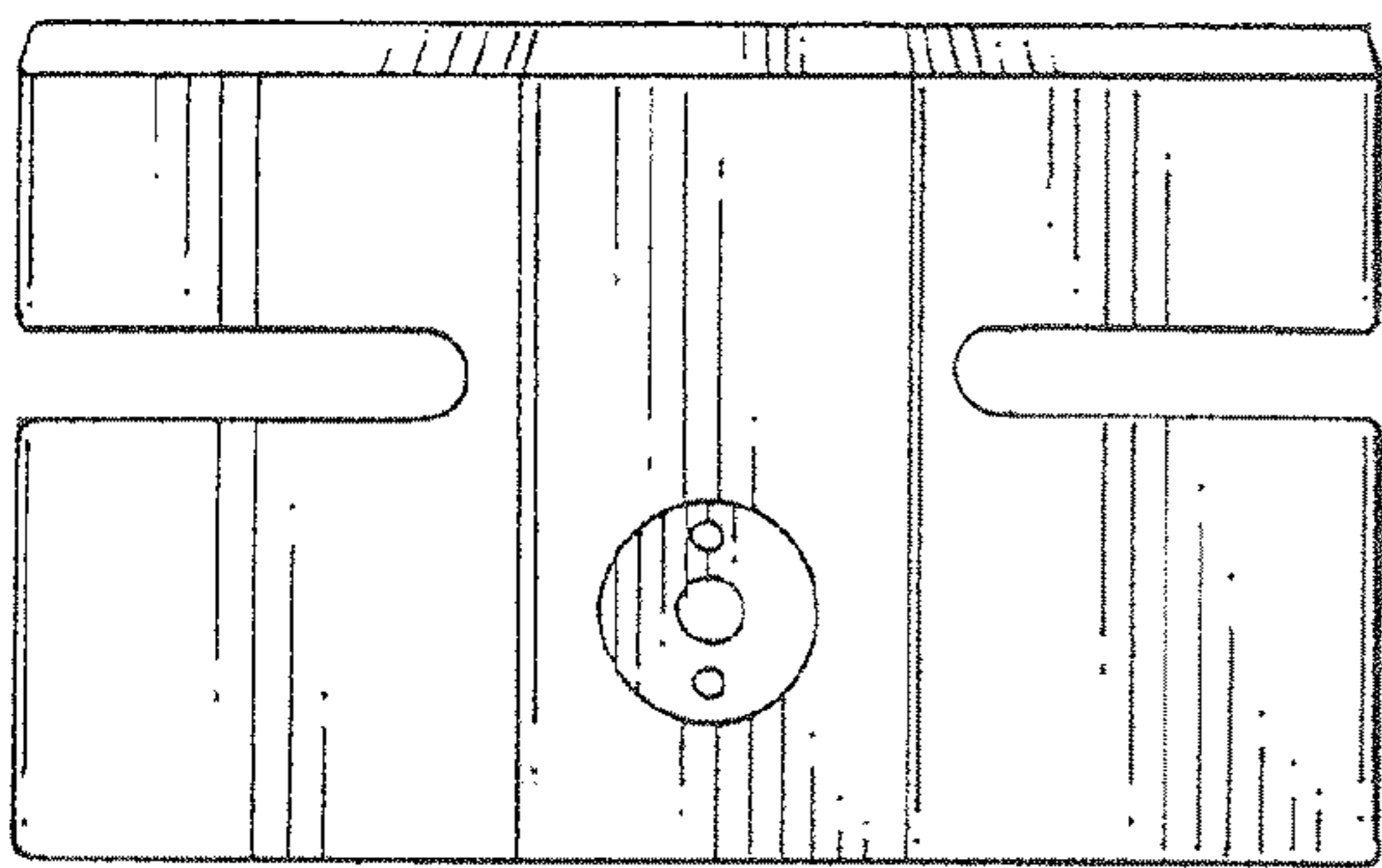


Fig. 5

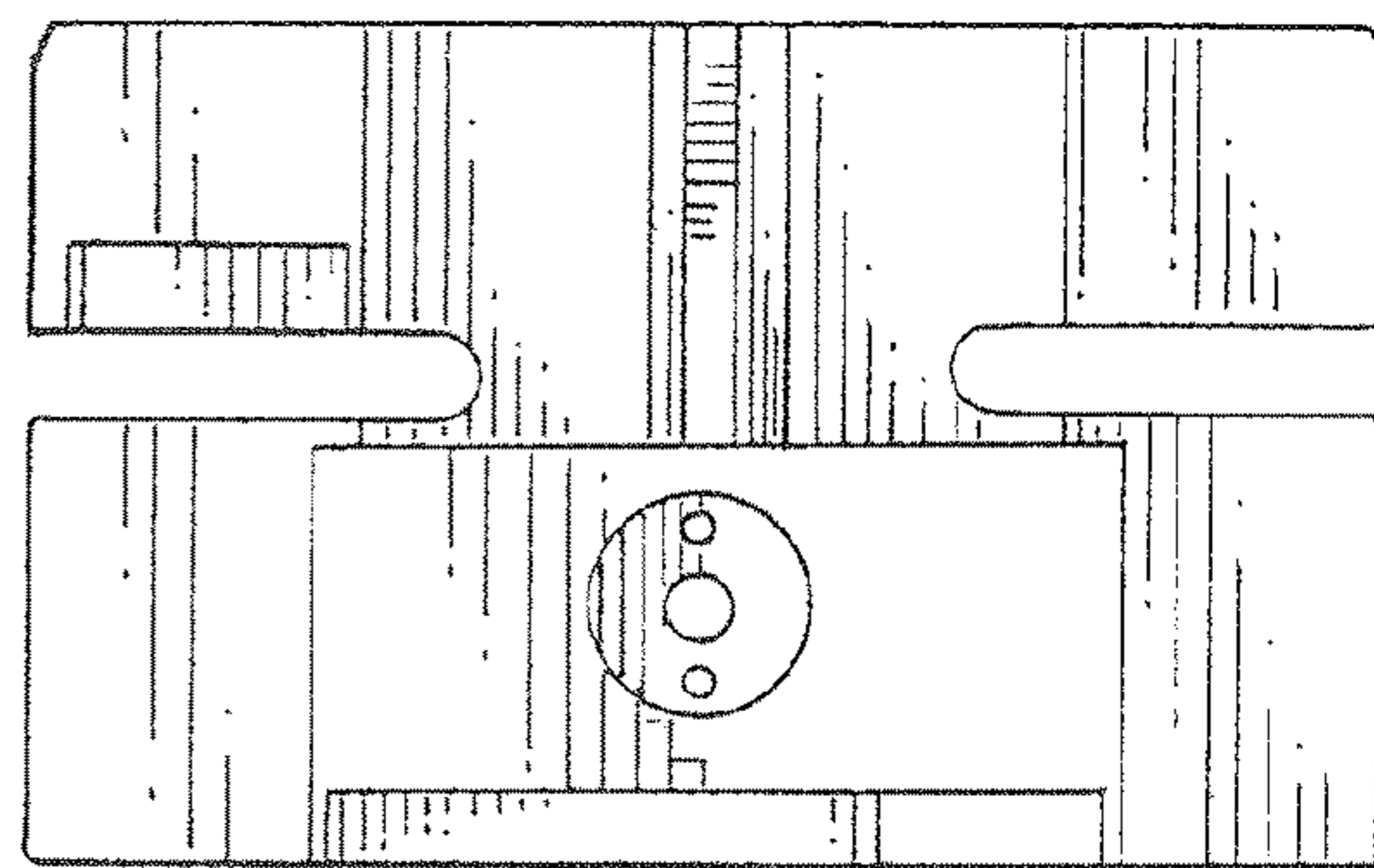


Fig. 6

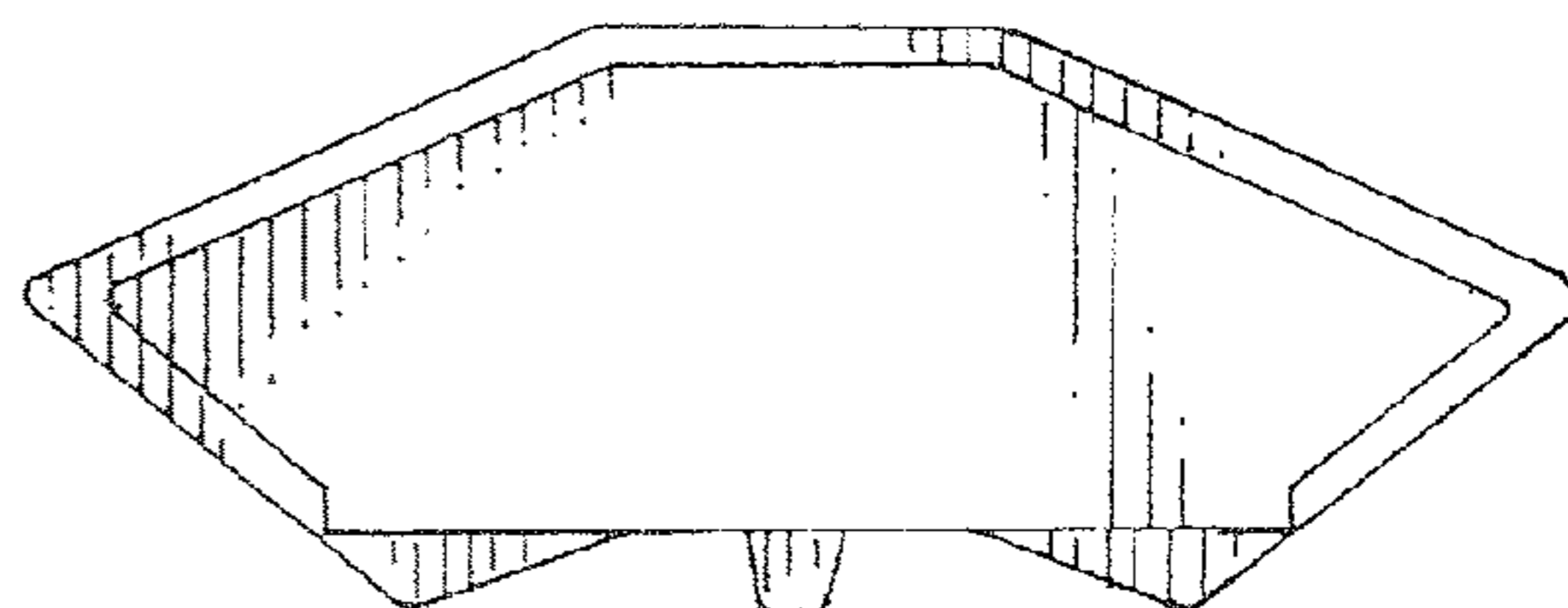


Fig. 7

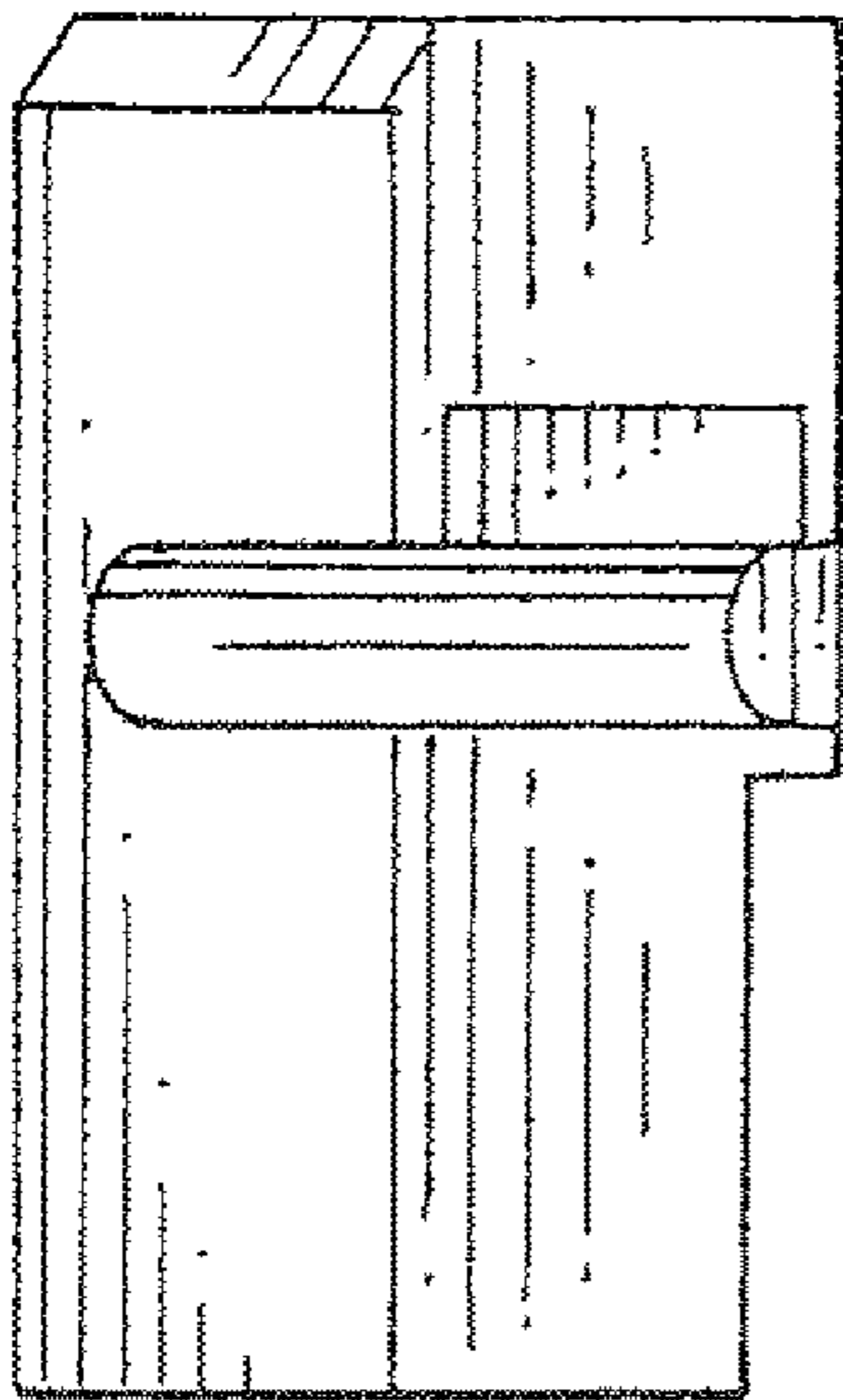


Fig. 8

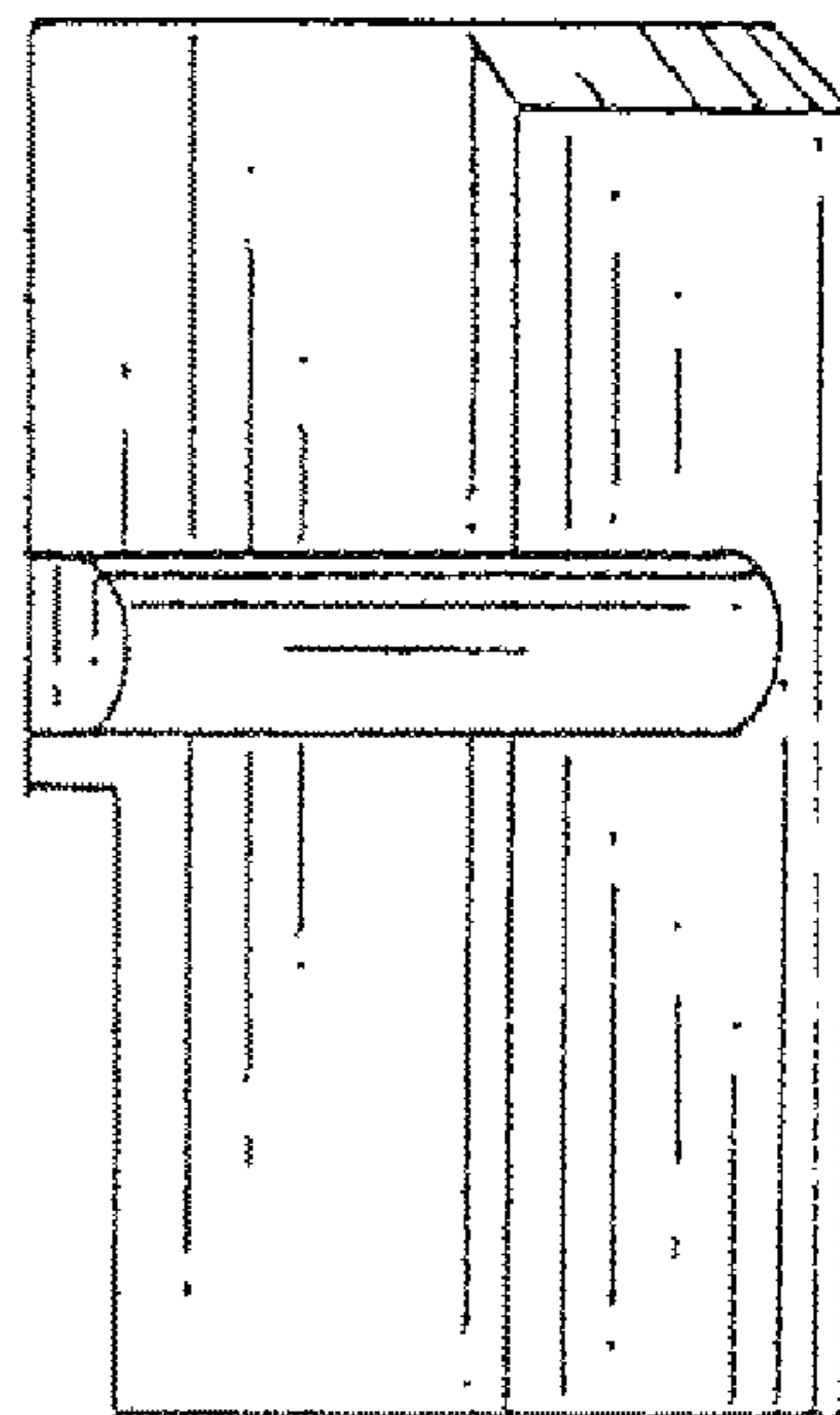


Fig. 9