



US00D550260S

(12) **United States Design Patent** (10) **Patent No.:** **US D550,260 S**  
**Newton** (45) **Date of Patent:** **\*\* Sep. 4, 2007**

(54) **SPEED BLADE**

(76) **Inventor:** **John Edgely Newton**, Unit 9, 53 East Esplanade, Manly, NSW 2095 (AU)

(\*\*) **Term:** **14 Years**

(21) **Appl. No.:** **29/245,039**

(22) **Filed:** **Dec. 19, 2005**

(51) **LOC (8) Cl.** ..... **15-09**

(52) **U.S. Cl.** ..... **D15/139**

(58) **Field of Classification Search** ..... D15/122,  
D15/138, 140, 199; 294/106, 119.1; 414/749,  
414/751, 753

See application file for complete search history.

(56) **References Cited**

**U.S. PATENT DOCUMENTS**

2,897,696	A *	8/1959	Tisserant	.....	408/225
3,276,820	A *	10/1966	Ditson	.....	299/100
4,116,578	A *	9/1978	Gelfand et al.	.....	408/222
4,560,309	A *	12/1985	Hornsby	.....	408/229
4,815,902	A *	3/1989	Durfee, Jr.	.....	408/225
5,326,196	A *	7/1994	Noll	.....	408/225
6,890,133	B2 *	5/2005	Singh et al.	.....	408/225
2005/0084350	A1 *	4/2005	Nordlin	.....	408/225

\* cited by examiner

*Primary Examiner*—Antoine D. Davis

*Assistant Examiner*—Patricia Palasik

(74) *Attorney, Agent, or Firm*—Whitham, Curtis, Christofferson & Cook, PC

(57) **CLAIM**

The ornamental design for a speed blade, as shown and described.

**DESCRIPTION**

FIG. 1 is a front elevation view of the design of the present invention for a speed blade, the rear elevation being an identical image thereof;

FIG. 2 is a left side elevation view of the speed blade of FIG. 1, the right side elevation being an identical image thereof;

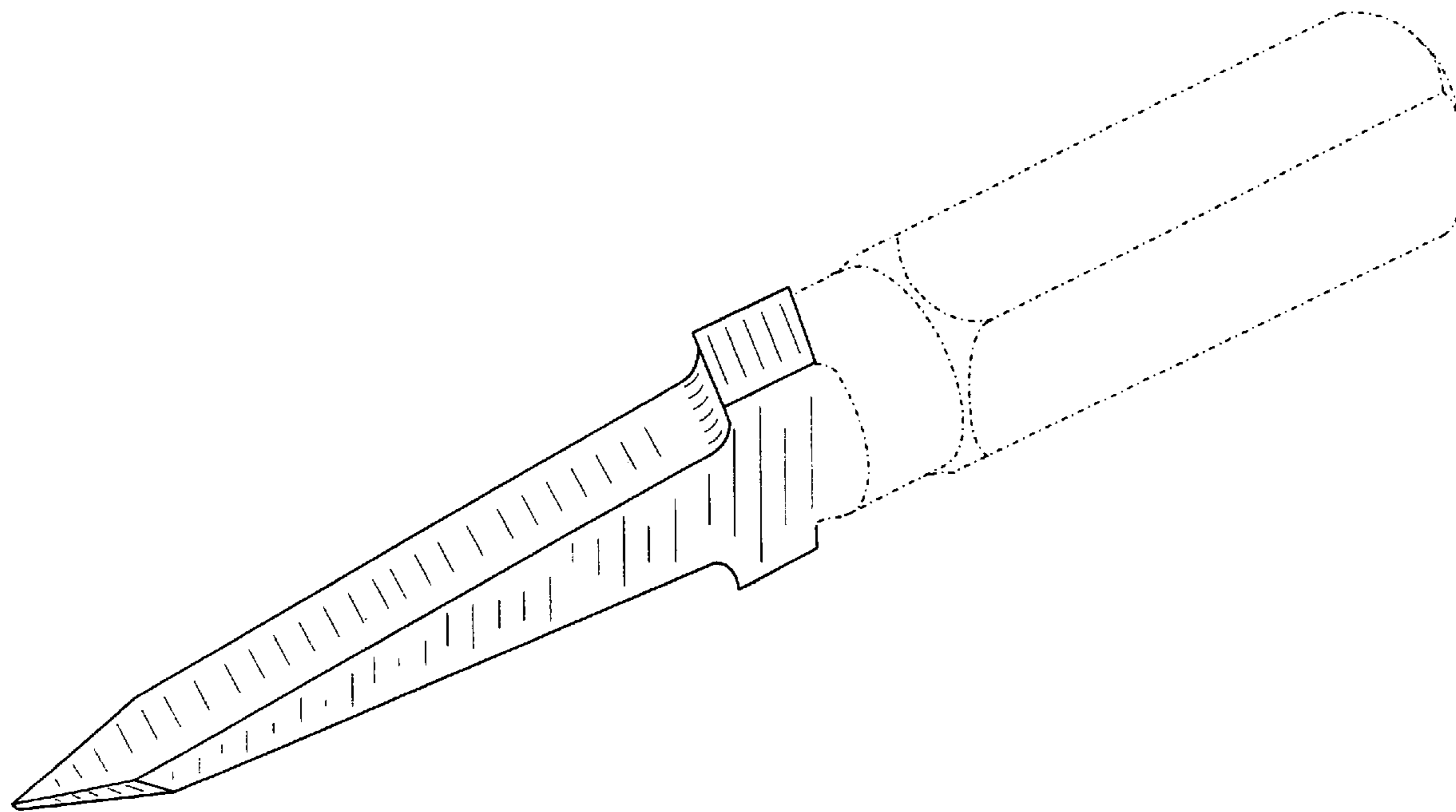
FIG. 3 is a top end view of the speed blade of FIG. 1;

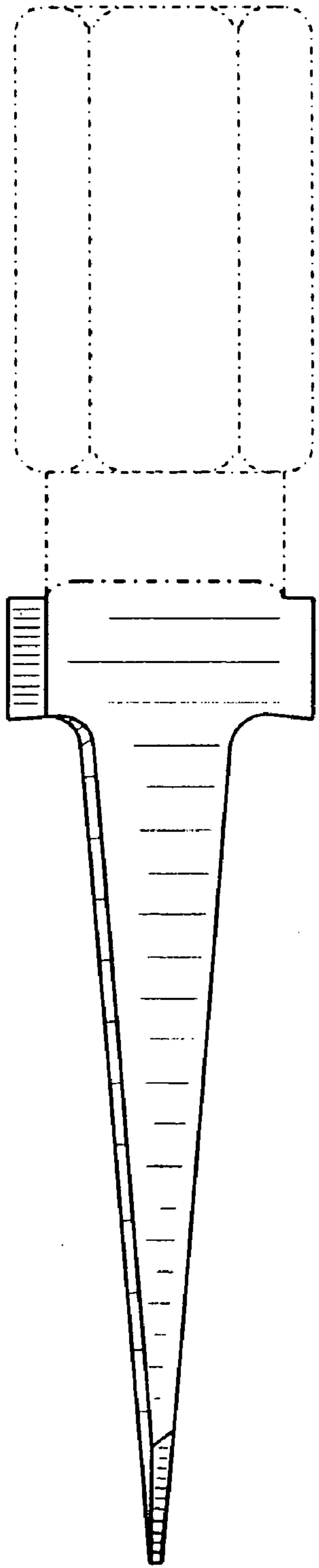
FIG. 4 is a bottom end view of the speed blade of FIG. 1; and,

FIG. 5 is an enlarged perspective view of the speed blade.

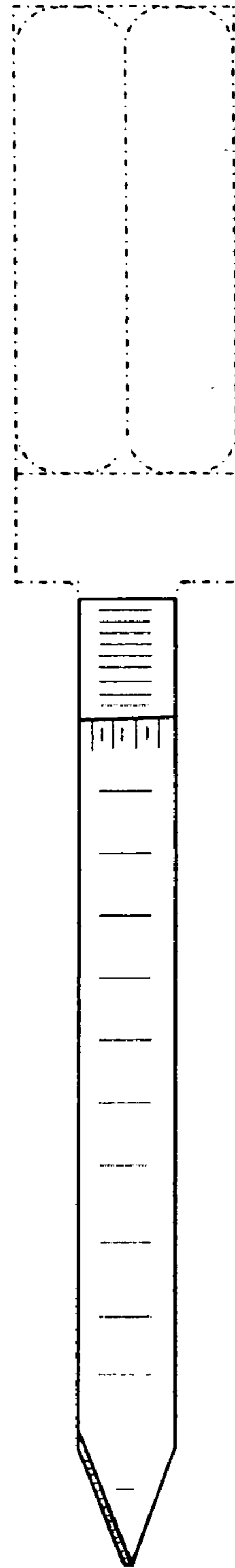
The features of the speed blade shown in broken lines are for illustrative purpose only and form no part of the claimed design.

**1 Claim, 3 Drawing Sheets**

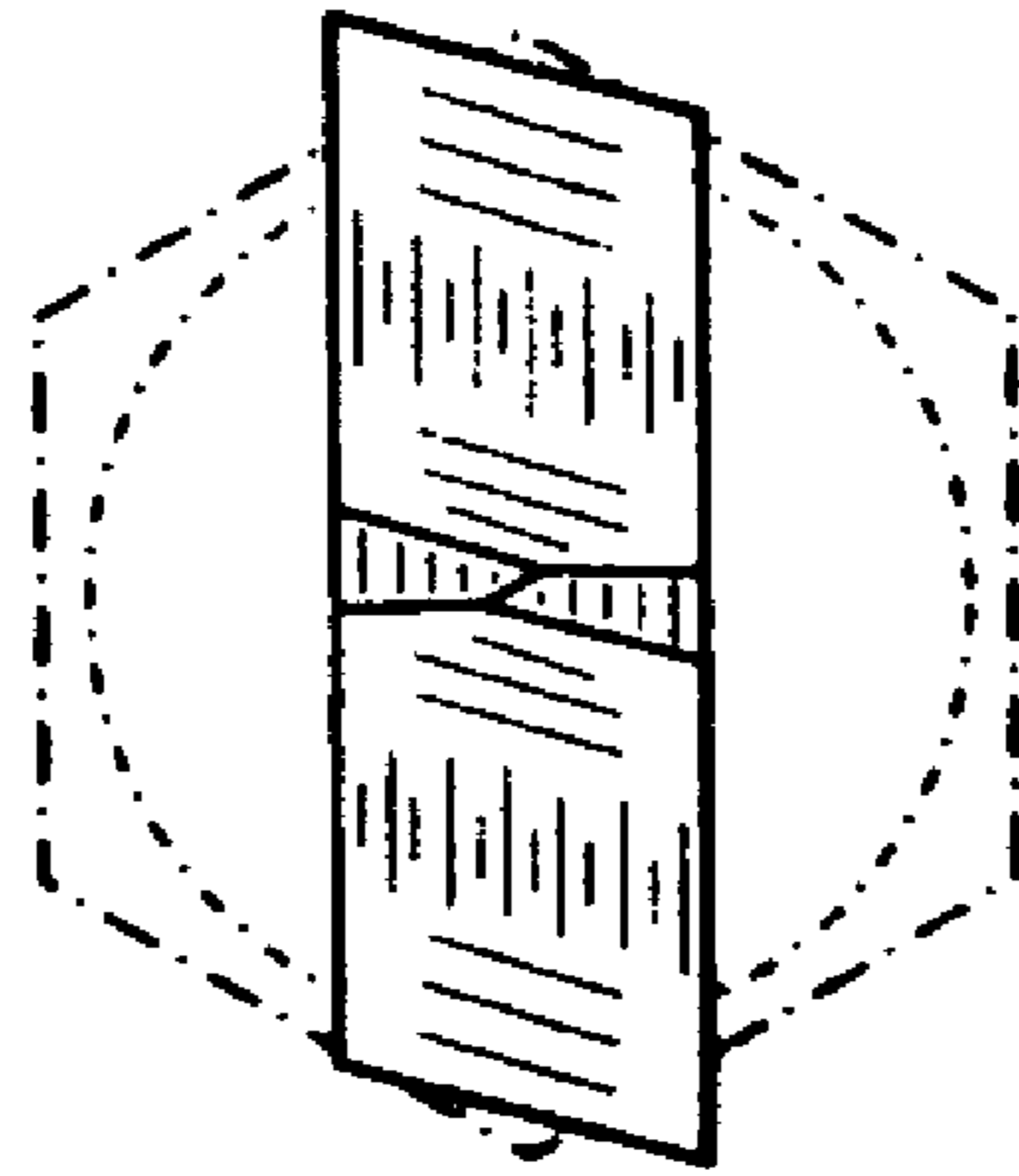




**FIG. 1**



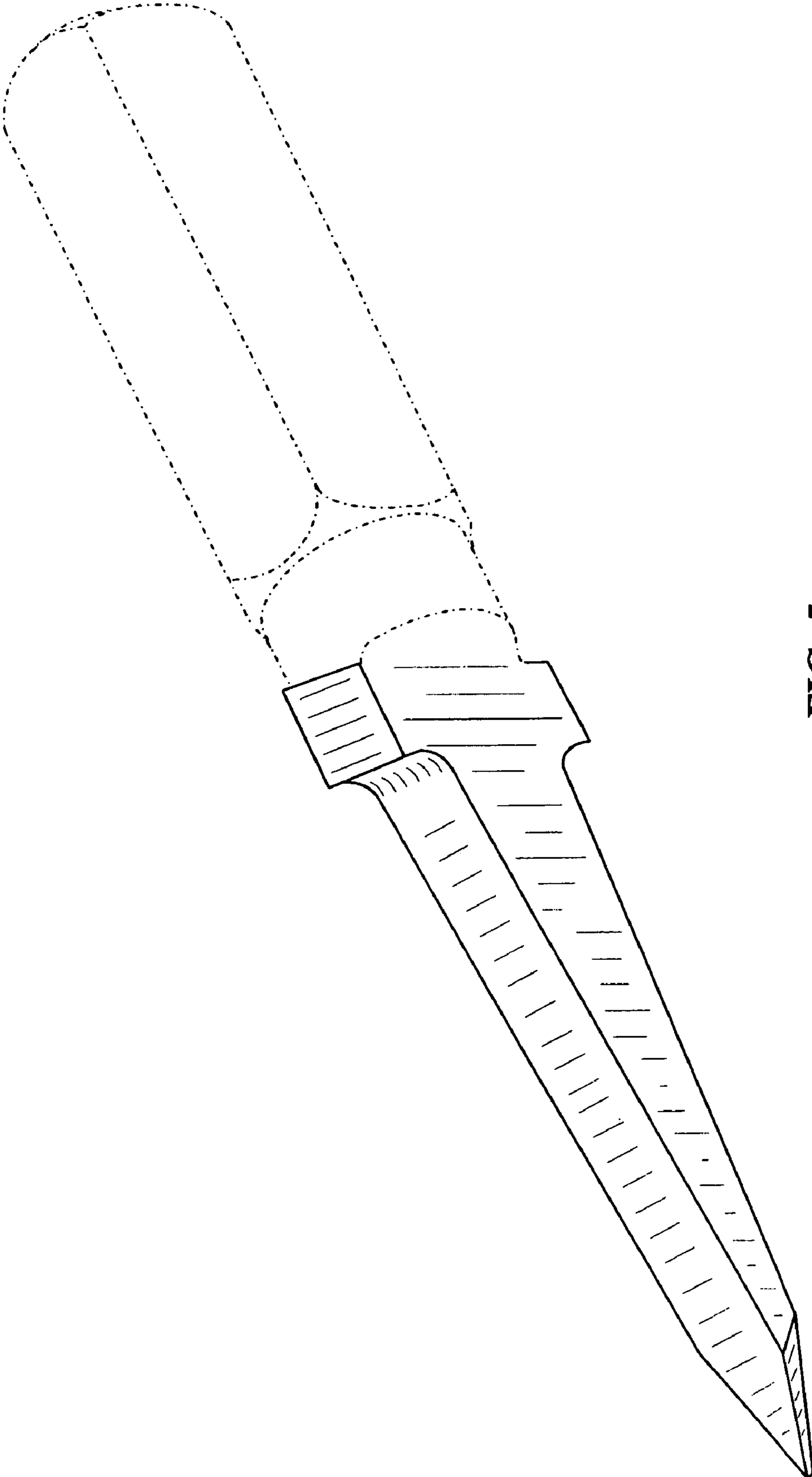
**FIG. 2**



**FIG. 3**



**FIG. 4**



**FIG. 5**