



US00D550259S

(12) **United States Design Patent**
Pinchot

(10) **Patent No.:** **US D550,259 S**

(45) **Date of Patent:** **** Sep. 4, 2007**

(54) **WIPER BLADE**

(75) Inventor: **James M. Pinchot**, Parma, OH (US)

(73) Assignee: **JMP Industries, Inc.**, Cleveland, OH (US)

(**) Term: **14 Years**

(21) Appl. No.: **29/242,613**

(22) Filed: **Nov. 10, 2005**

(51) **LOC (8) Cl.** **15-09**

(52) **U.S. Cl.** **D15/139**

(58) **Field of Classification Search** D15/127,
D15/138, 139; 72/269; 264/177.2, 209.1,
264/209.8; 366/76.1, 81, 85, 149; 407/113-117;
425/190, 204, 208, 331, 380, 466, 467
See application file for complete search history.

(56) **References Cited**

U.S. PATENT DOCUMENTS

4,279,515	A	7/1981	Effenberger et al.	
4,551,087	A	11/1985	Pan et al.	
D342,269	S *	12/1993	Arai et al.	D15/139
D390,238	S *	2/1998	Fujimoto	D15/139
D401,253	S *	11/1998	Inayama et al.	D15/139
D404,745	S *	1/1999	Bernadic et al.	D15/139
D424,073	S *	5/2000	Sodergard	D15/138
6,056,528	A *	5/2000	Lupke et al.	425/133.1
6,099,288	A	8/2000	Long	
6,116,770	A *	9/2000	Kiani et al.	366/85
6,206,675	B1	3/2001	BeVier	
D454,142	S *	3/2002	Vanberg	D15/139
D459,741	S *	7/2002	Erickson	D15/139

6,638,461	B2 *	10/2003	Davidson et al.	264/171.26
D502,712	S *	3/2005	Eriksson	D15/139
D526,339	S *	8/2006	Shanley	D15/139
2002/0122700	A1 *	9/2002	Inayama	407/117
2003/0206482	A1	11/2003	Griggs	

FOREIGN PATENT DOCUMENTS

WO WO 98/41390 9/1998

* cited by examiner

Primary Examiner—Antoine D. Davis

Assistant Examiner—Patricia Palasik

(74) *Attorney, Agent, or Firm*—Fay Sharpe LLP; Brian E. Turung

(57) **CLAIM**

The ornamental design for a wiper blade, as shown and described.

DESCRIPTION

FIG. 1 is an elevation view of a wiper blade showing my new design;

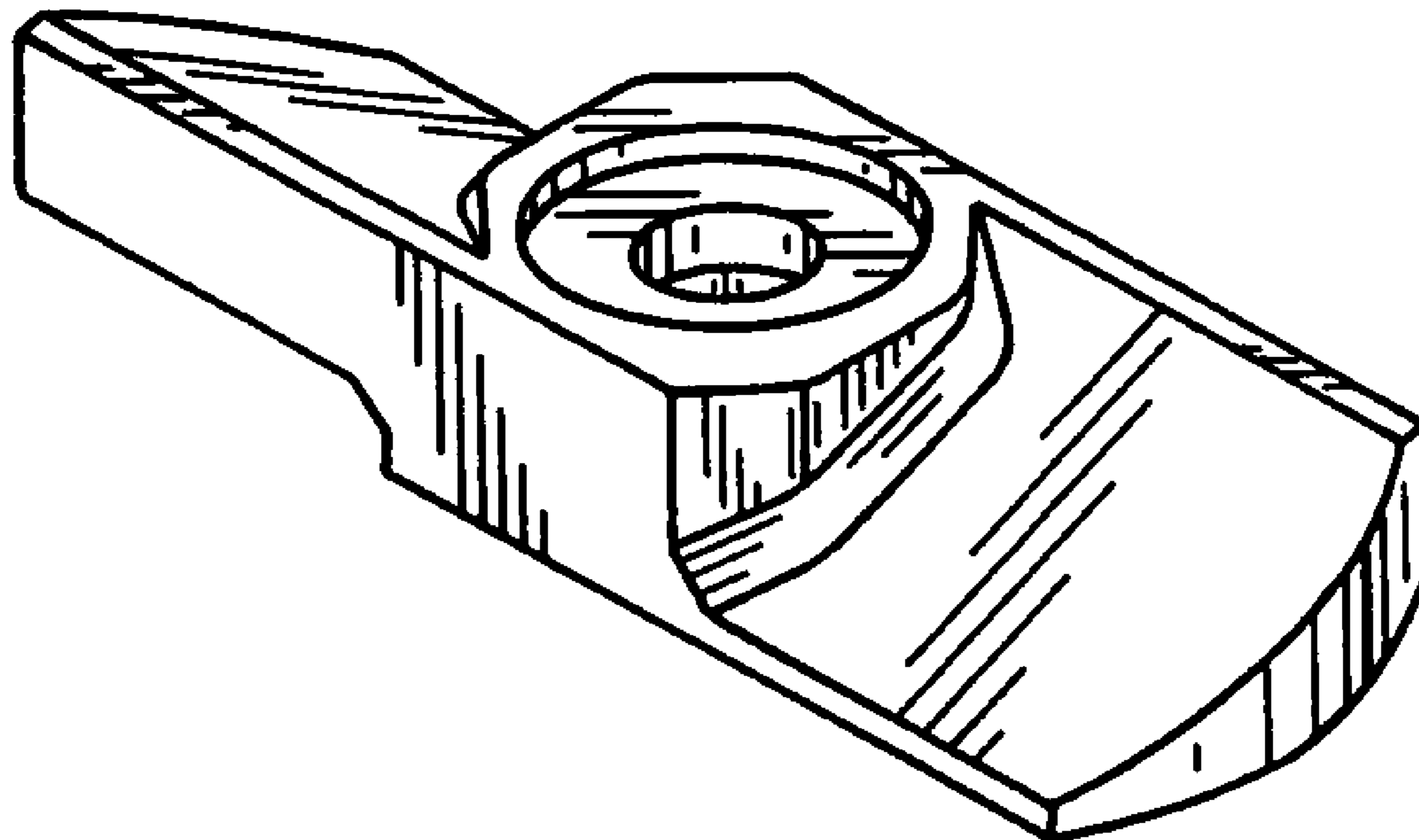
FIG. 2 is a top plan view of a wiper blade showing my new design;

FIG. 3 is a side view of a wiper blade showing my new design;

FIG. 4 is an end view of a wiper blade showing my new design; and,

FIG. 5 is a bottom plan view of a wiper blade showing my new design.

1 Claim, 1 Drawing Sheet



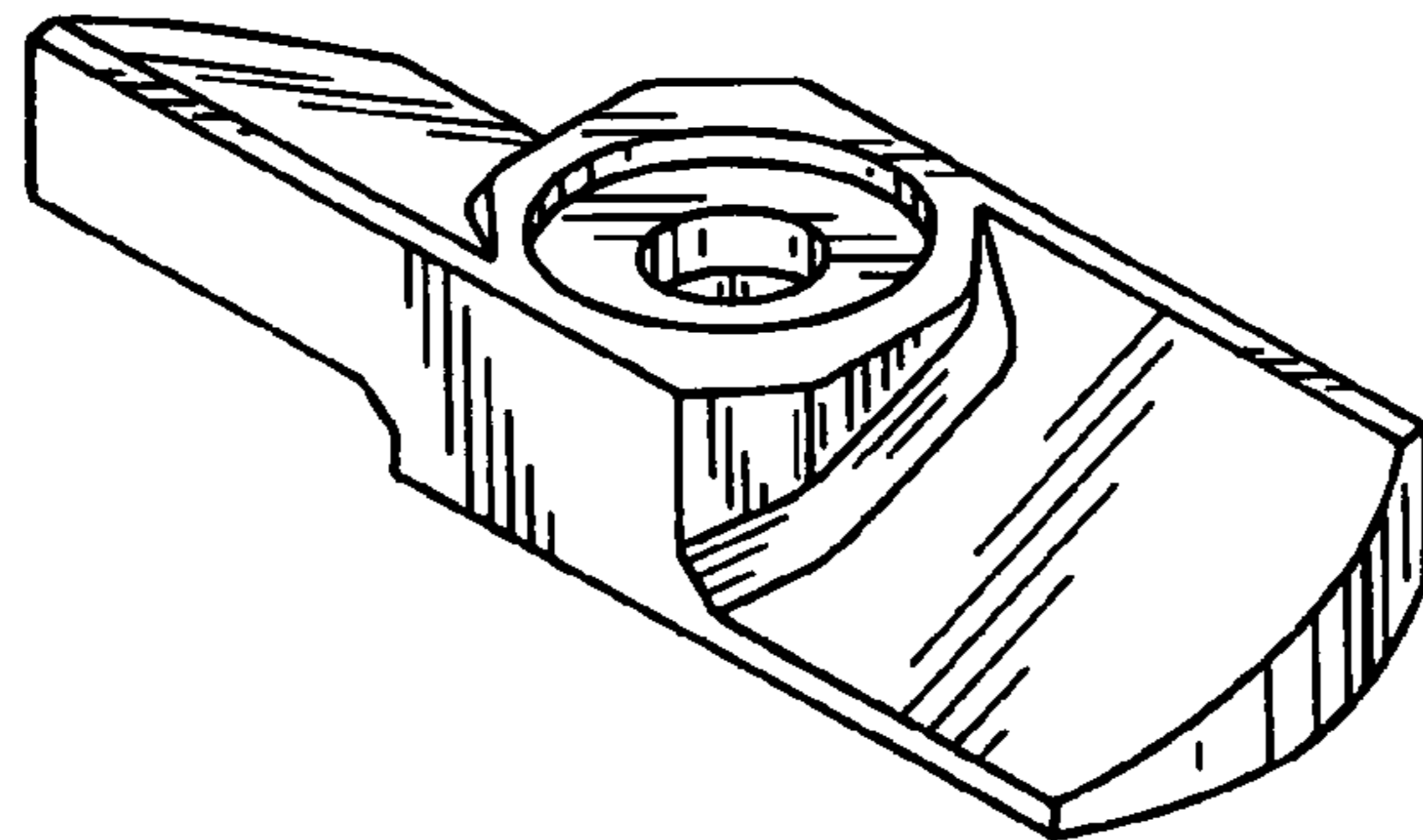


FIG. 1

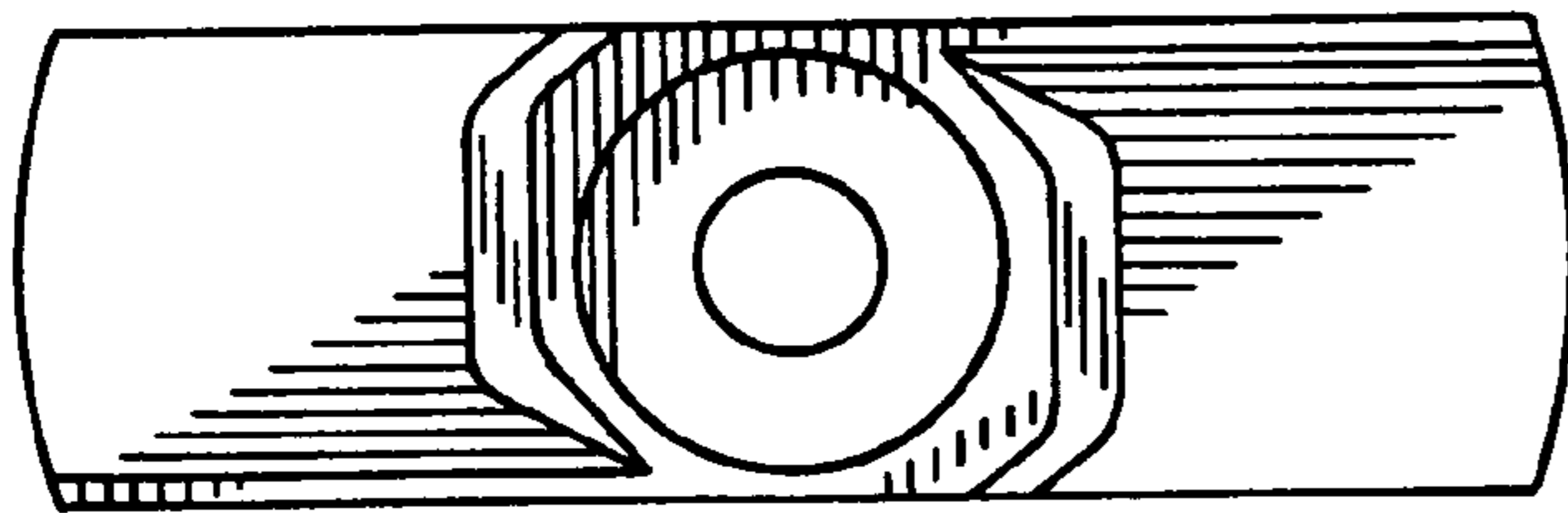


FIG. 2

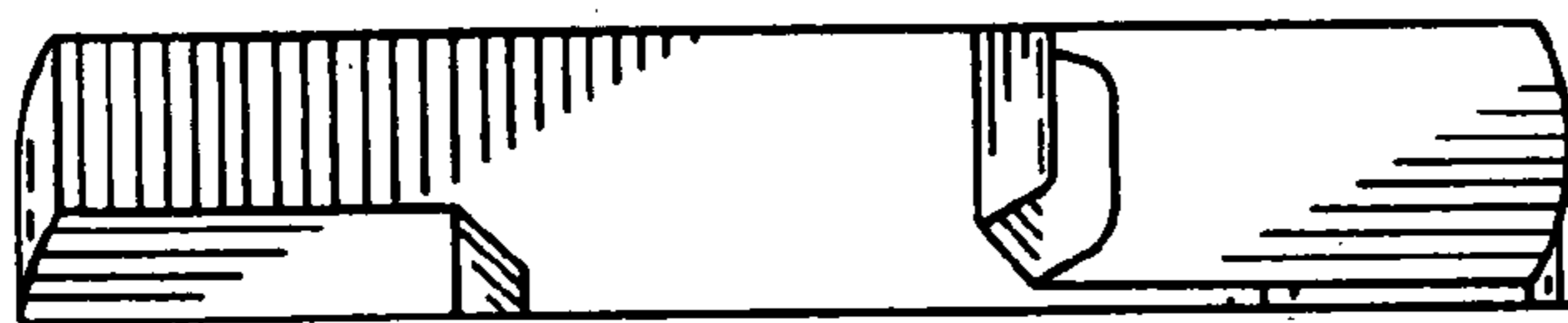


FIG. 3

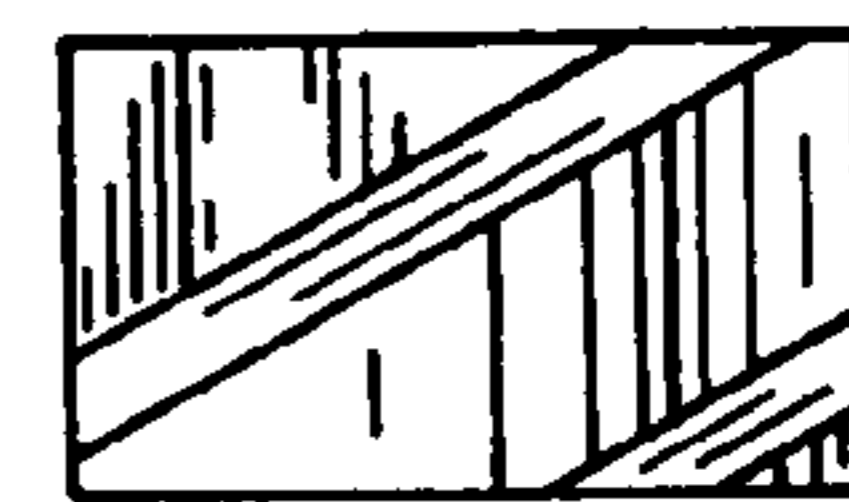


FIG. 4

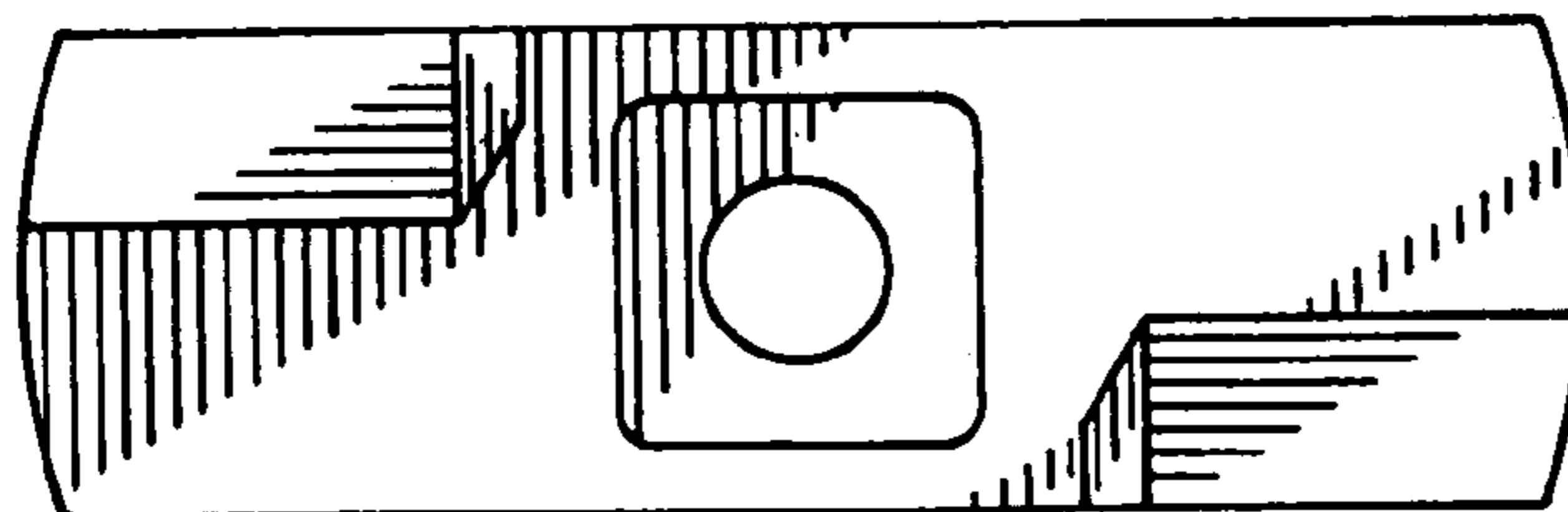


FIG. 5