



US00D550258S

(12) **United States Design Patent**
Schad et al.

(10) **Patent No.:** **US D550,258 S**

(45) **Date of Patent:** **** Sep. 4, 2007**

(54) **MOLDING-SYSTEM INJECTION UNIT**

(75) Inventors: **Robert Dietrich Schad**, North York (CA); **Roman Robert Pirog**, Caledon (CA); **Robert Domodossola**, Brampton (CA); **Alex Teng**, Richmond Hill (CA); **Robert James Mainwaring**, Orangeville (CA)

(73) Assignee: **Husky Injection Molding Systems Ltd.**, Bolton, Ontario (CA)

(**) Term: **14 Years**

(21) Appl. No.: **29/278,632**

(22) Filed: **Apr. 4, 2007**

(51) **LOC (8) Cl.** **15-09**

(52) **U.S. Cl.** **D15/135**

(58) **Field of Classification Search** D15/135, D15/136; 425/135, 146, 177, 181, 222, 237, 425/542, 543, DIG. 121, DIG. 243

See application file for complete search history.

(56) **References Cited**

U.S. PATENT DOCUMENTS

2,514,390	A *	7/1950	Hagen	425/197
3,337,921	A *	8/1967	Kaiser et al.	222/235
3,689,184	A *	9/1972	Morse	100/148
3,810,728	A *	5/1974	Jacobs	425/547
3,947,196	A *	3/1976	Tribbett et al.	425/543
D266,327	S *	9/1982	Haight et al.	D15/135
4,385,877	A *	5/1983	Tanabe	425/3
4,731,013	A *	3/1988	Schrammel	425/542

5,382,158	A *	1/1995	Herbst	425/572
5,744,177	A *	4/1998	Lin	425/589
7,105,231	B2 *	9/2006	McBain et al.	428/412
2006/0192321	A1 *	8/2006	McBain et al.	264/328.8
2007/0104822	A1 *	5/2007	Okabe	425/550

* cited by examiner

Primary Examiner—Antoine D. Davis

Assistant Examiner—Patricia Palasik

(57) **CLAIM**

The ornamental design for a molding-system injection unit, as shown and described.

DESCRIPTION

FIG. 1 depicts a view of a top side of an embodiment of the molding-system injection unit;

FIG. 2 depicts a view of a side view (also known as an operator view) of the molding-system injection unit of FIG. 1;

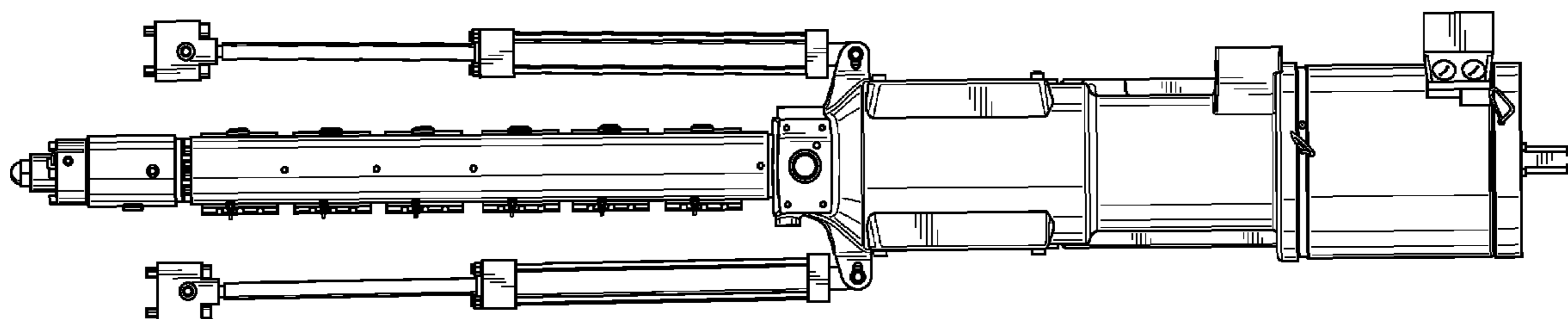
FIG. 3 depicts a view of another side view (also known as the non-operator side) of the molding-system injection unit of FIG. 1;

FIG. 4 depicts a view of a front side of the molding-system injection unit of FIG. 1;

FIG. 5 depicts a view of a bottom side of the molding-system injection unit of FIG. 1; and,

FIG. 6 depicts a view of a back side of the molding-system injection unit of FIG. 1.

1 Claim, 6 Drawing Sheets



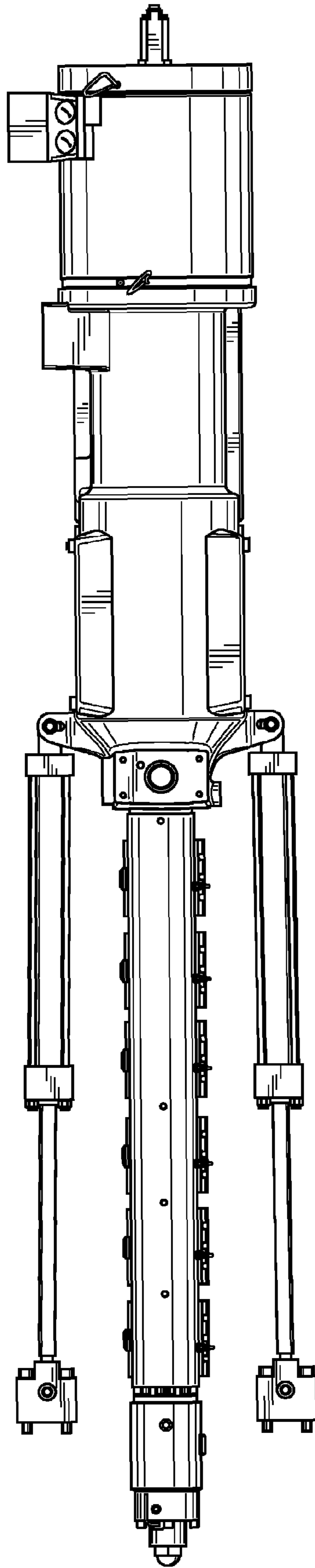


FIG. 1

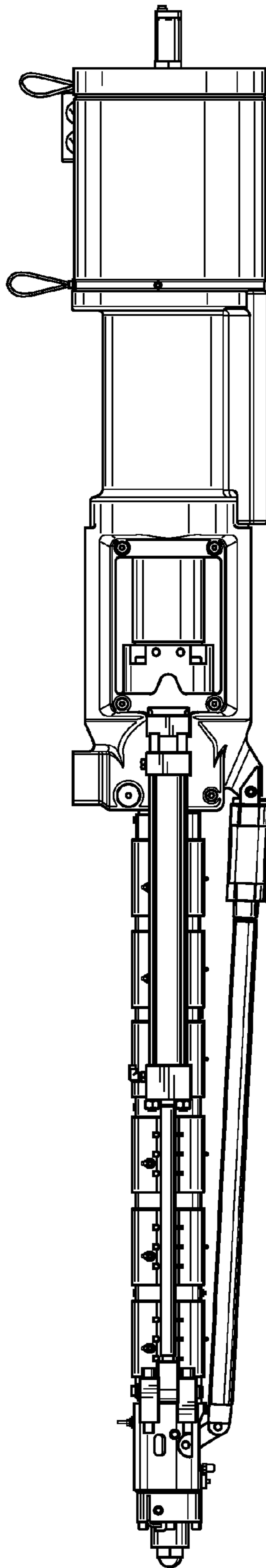


FIG. 2

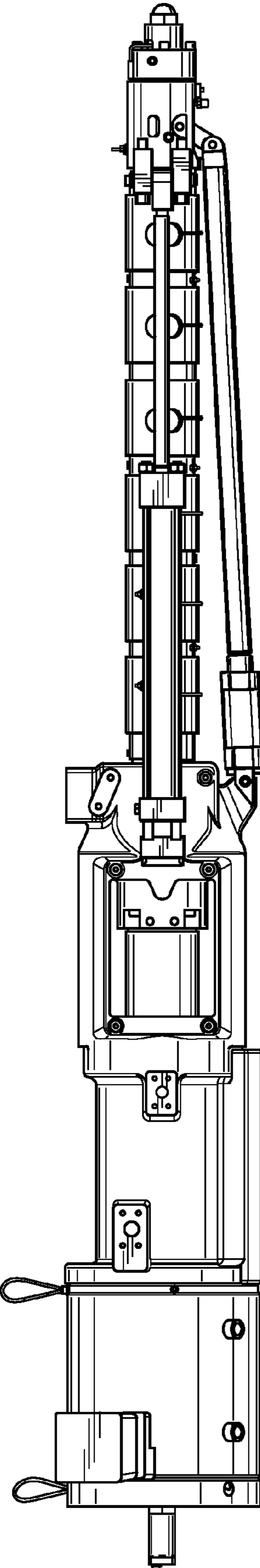


FIG. 3

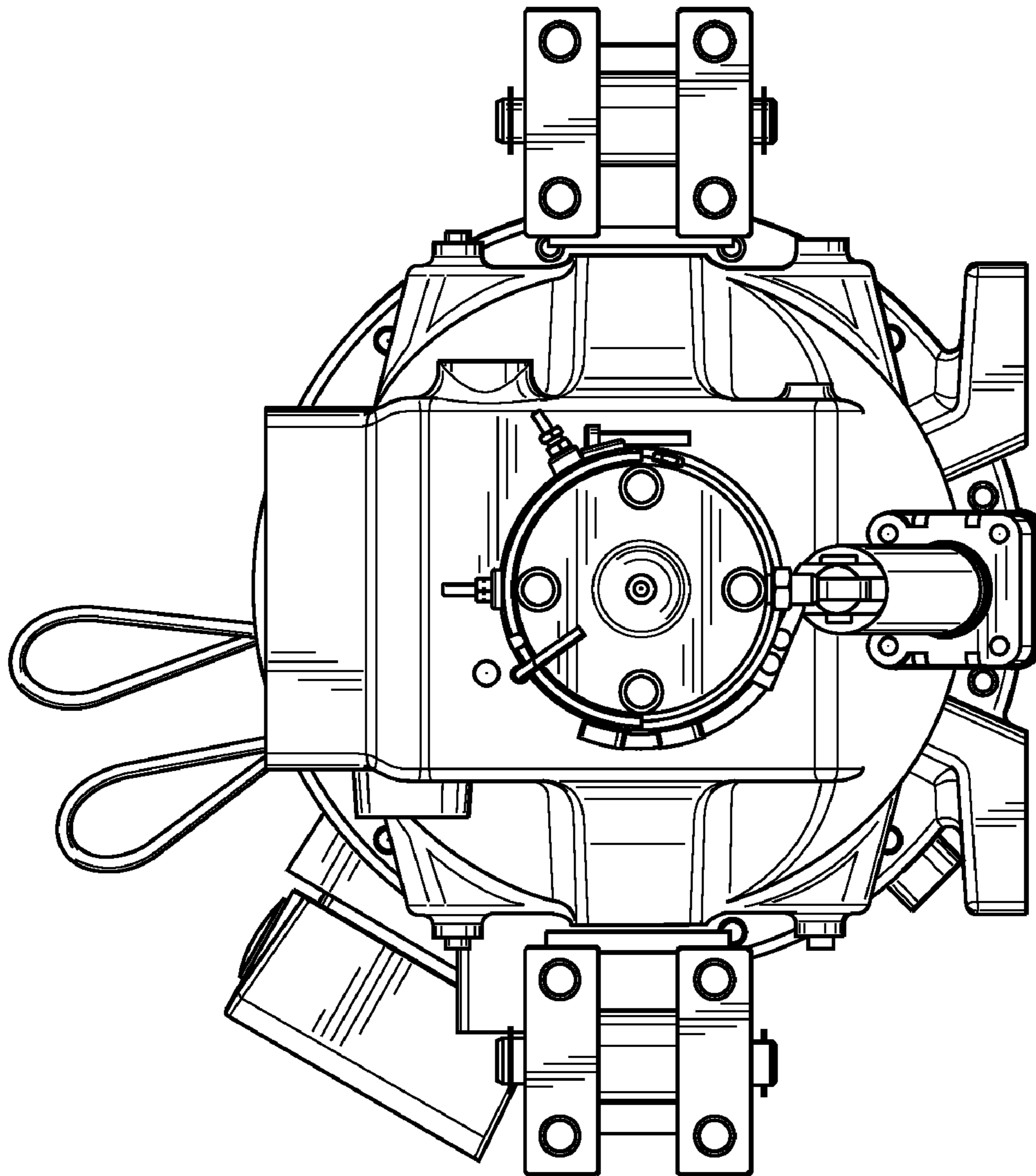


FIG. 4

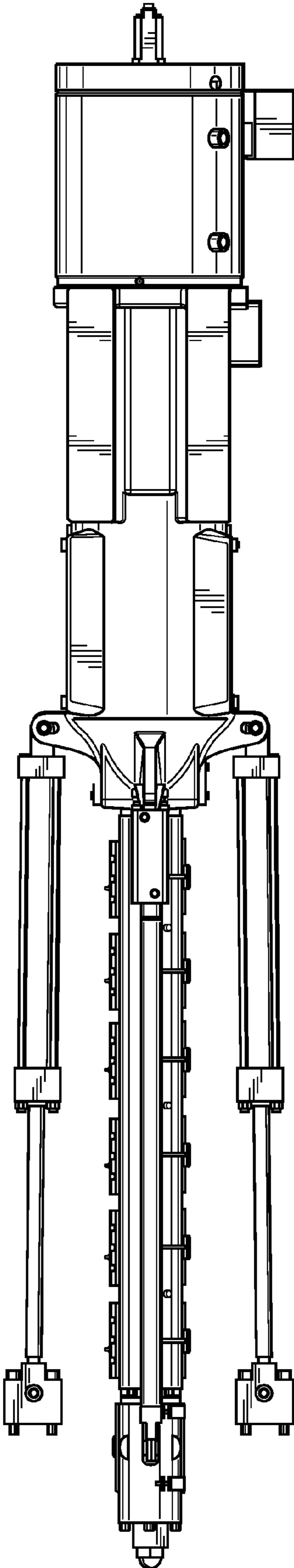


FIG. 5

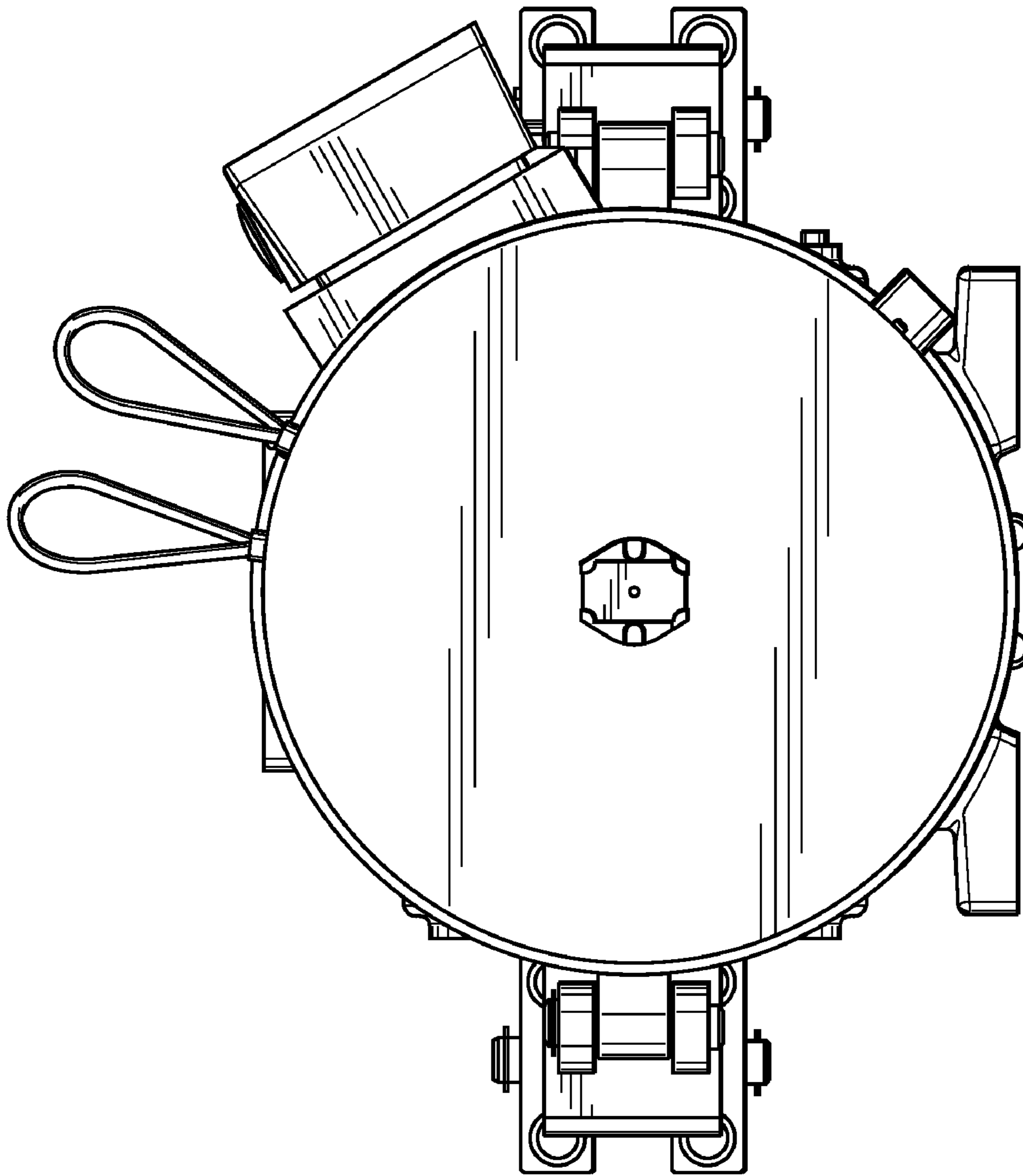


FIG. 6