



US00D550255S

(12) **United States Design Patent**  
**Adcock**

(10) **Patent No.:** **US D550,255 S**

(45) **Date of Patent:** **\*\* Sep. 4, 2007**

(54) **FLIP OVER TOW DESIGN FOR LAWN  
DETHATCHER**

(75) Inventor: **Justin Todd Adcock**, Pana, IL (US)

(73) Assignee: **Agri-Fab, Inc.**, Sullivan, IL (US)

(\*\*) Term: **14 Years**

(21) Appl. No.: **29/248,698**

(22) Filed: **Aug. 29, 2006**

(51) **LOC (8) Cl.** ..... **15-03**

(52) **U.S. Cl.** ..... **D15/27**

(58) **Field of Classification Search** ..... D15/27,  
D15/28, 29, 33, 10, 11; 111/12, 901; 56/396,  
56/397; 172/21, 22, 544, 545, 56, 57, 60,  
172/45, 548, 549, 556, 557, 552, 799.5, 237,  
172/240, 676, 241

See application file for complete search history.

(56) **References Cited**

**U.S. PATENT DOCUMENTS**

2,069,958	A *	2/1937	Diemer Kool	.....	56/400.16
2,193,009	A *	3/1940	Riggs	.....	172/552
2,580,236	A *	12/1951	Mascaro	.....	172/419
D195,863	S *	8/1963	Breed et al.	.....	D15/27
D281,693	S *	12/1985	Doering	.....	D15/27
4,558,746	A *	12/1985	Powell et al.	.....	172/421
D282,261	S *	1/1986	Doering	.....	D15/27
4,689,941	A *	9/1987	Doering	.....	56/396
D295,979	S *	5/1988	Baeta	.....	D15/27
D298,138	S *	10/1988	Starr	.....	D15/27
4,840,232	A *	6/1989	Mayer	.....	172/21

5,020,602	A *	6/1991	Dellinger	.....	172/21
5,579,847	A *	12/1996	Postema	.....	172/22
5,623,996	A *	4/1997	Postema	.....	172/118
6,179,061	B1 *	1/2001	Fiore	.....	172/21
D437,326	S *	2/2001	Koberlein et al.	.....	D15/11
D509,228	S *	9/2005	Chapman	.....	D15/27
7,063,165	B2 *	6/2006	Bowsher	.....	172/21
2002/0084082	A1 *	7/2002	Hill et al.	.....	172/22

\* cited by examiner

*Primary Examiner*—Stella Reid

*Assistant Examiner*—Mark Goodwin

(74) *Attorney, Agent, or Firm*—Vedder Price Kaufman & Kammolz

(57) **CLAIM**

The ornamental design for a flip over tow design for lawn dethatcher, as shown.

**DESCRIPTION**

FIG. 1 is a top perspective view of the flip over tow design for lawn dethatcher showing my new design;

FIG. 2 is a bottom perspective view of my design;

FIG. 3 is a front view of my design;

FIG. 4 is a back view of my design;

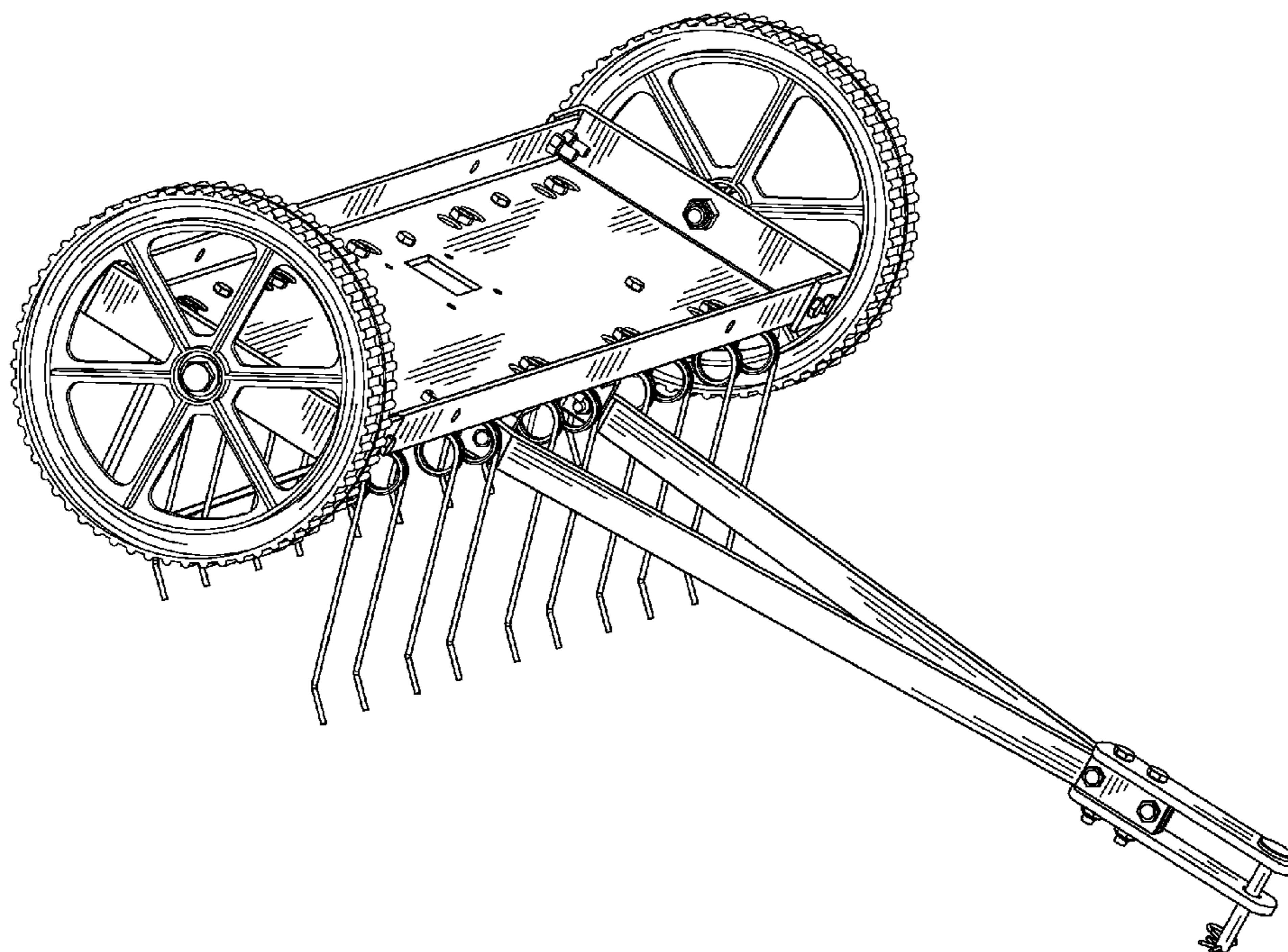
FIG. 5 is a side view of my design;

FIG. 6 is an opposite side view of my design;

FIG. 7 is a top view of my design; and,

FIG. 8 is a bottom view of my design.

**1 Claim, 3 Drawing Sheets**



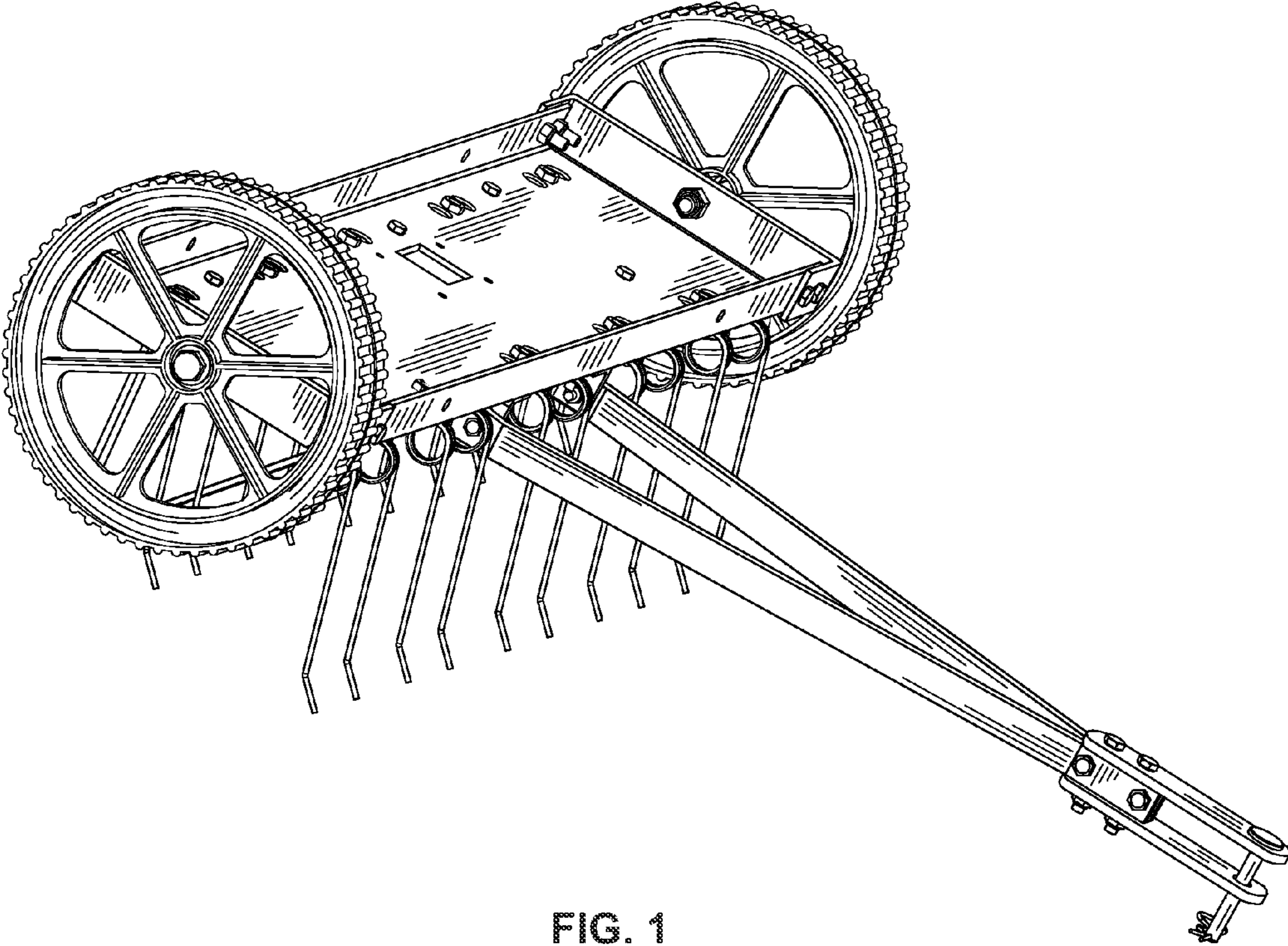


FIG. 1

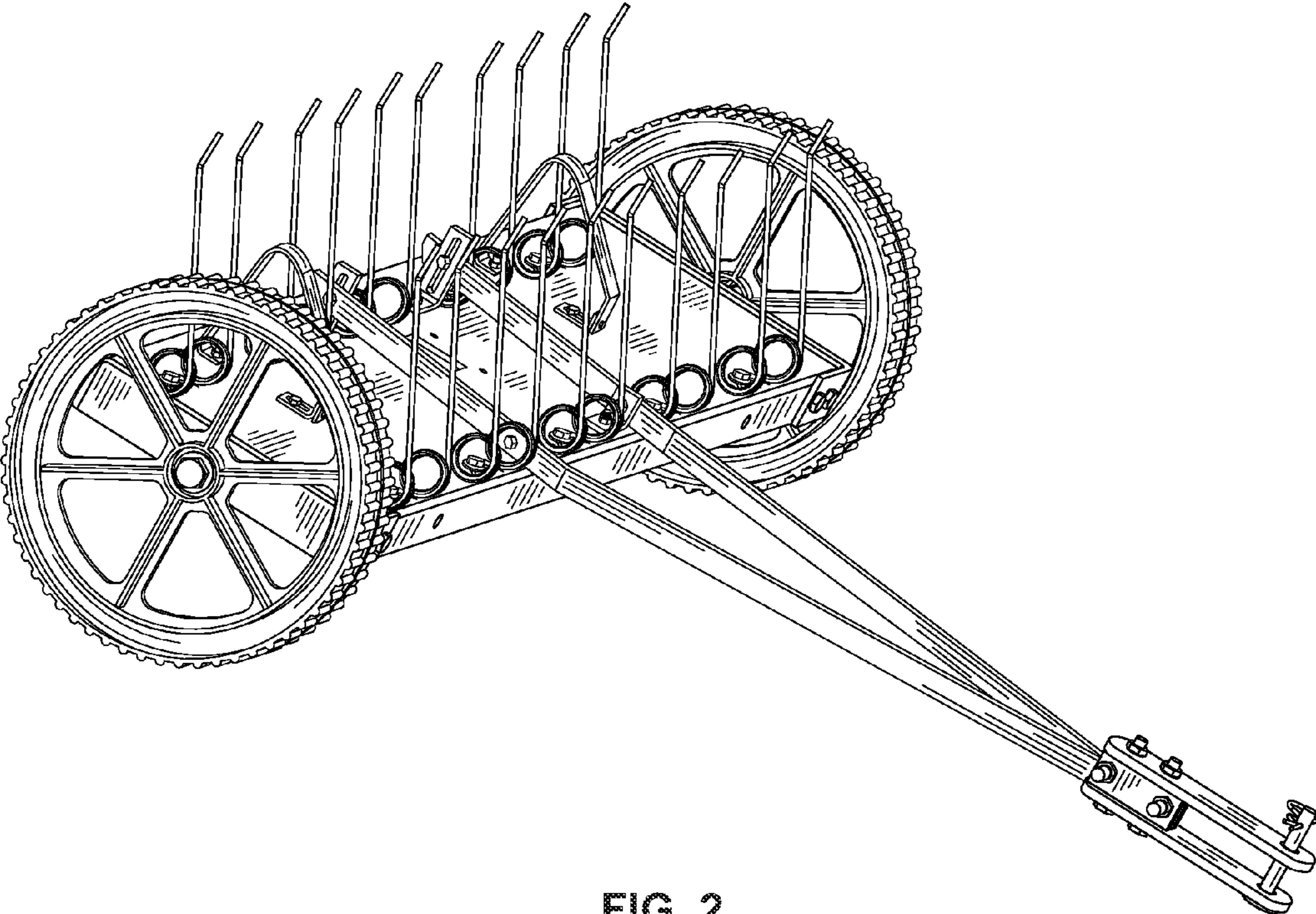


FIG. 2



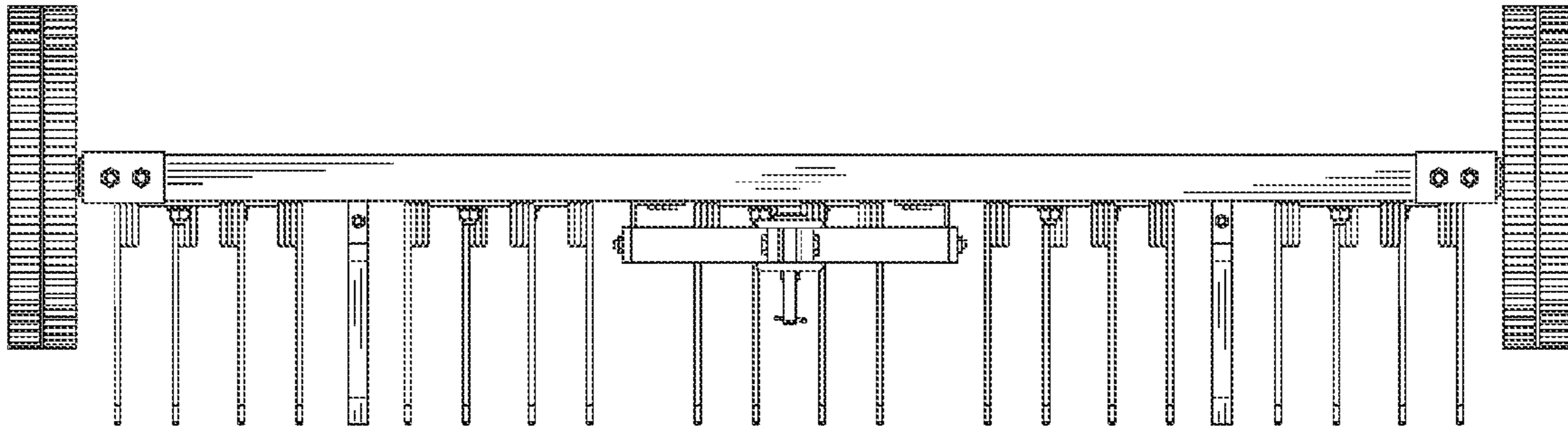


FIG. 3

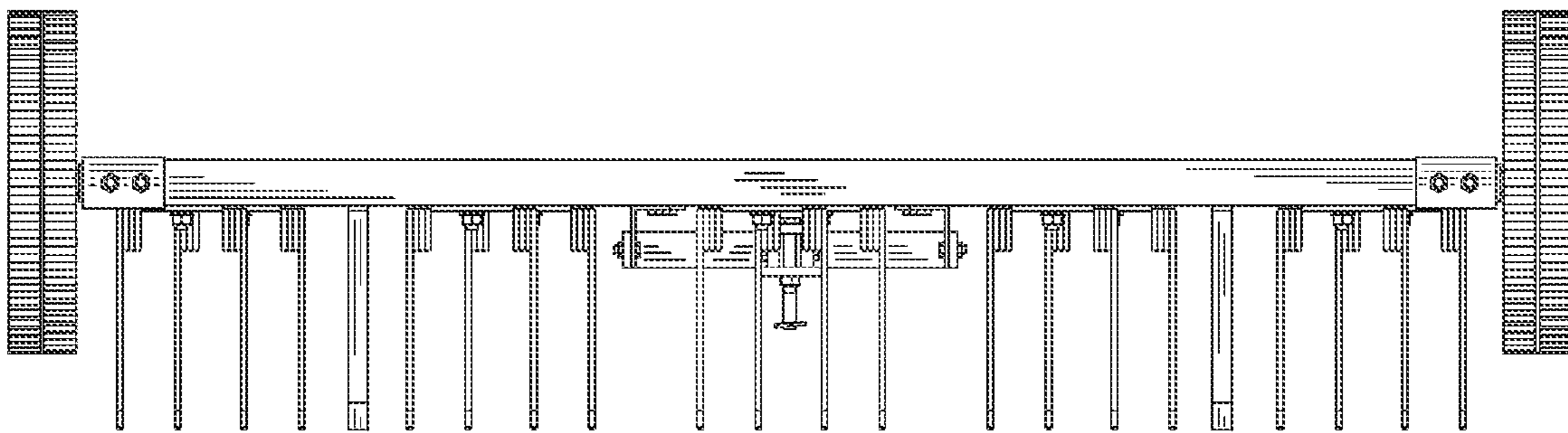


FIG. 4

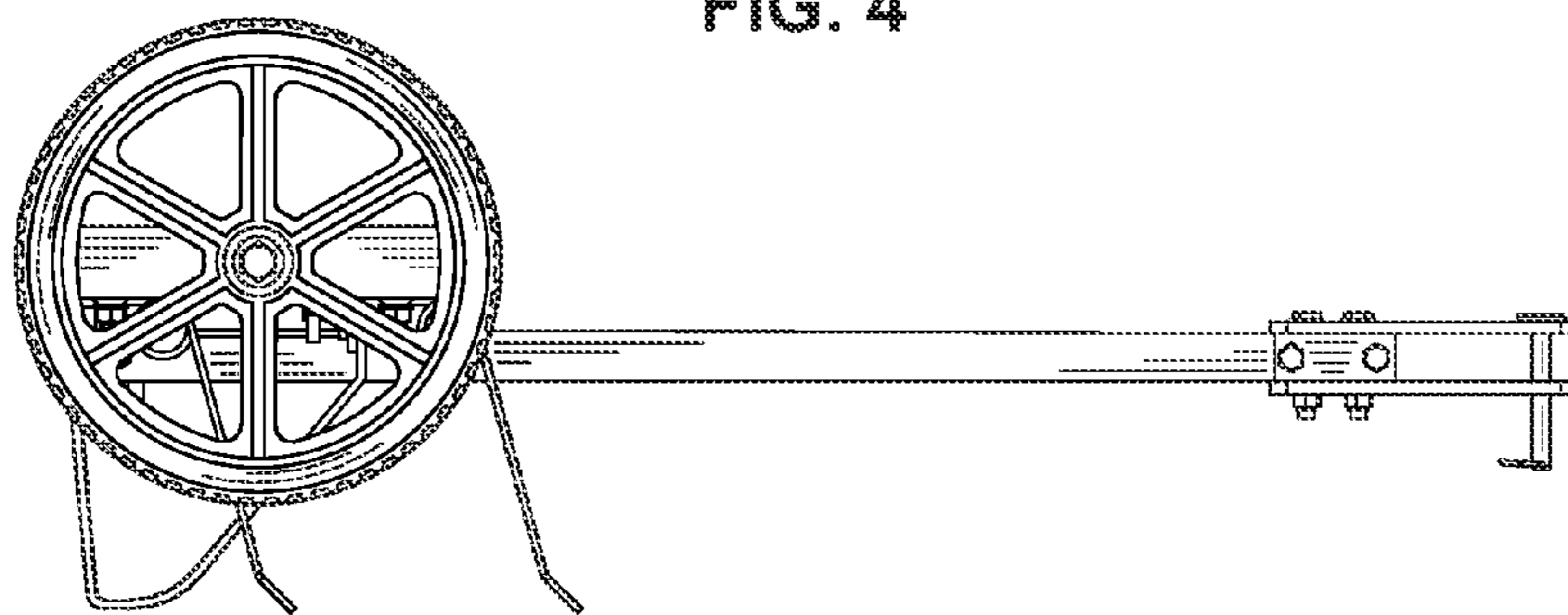


FIG. 5

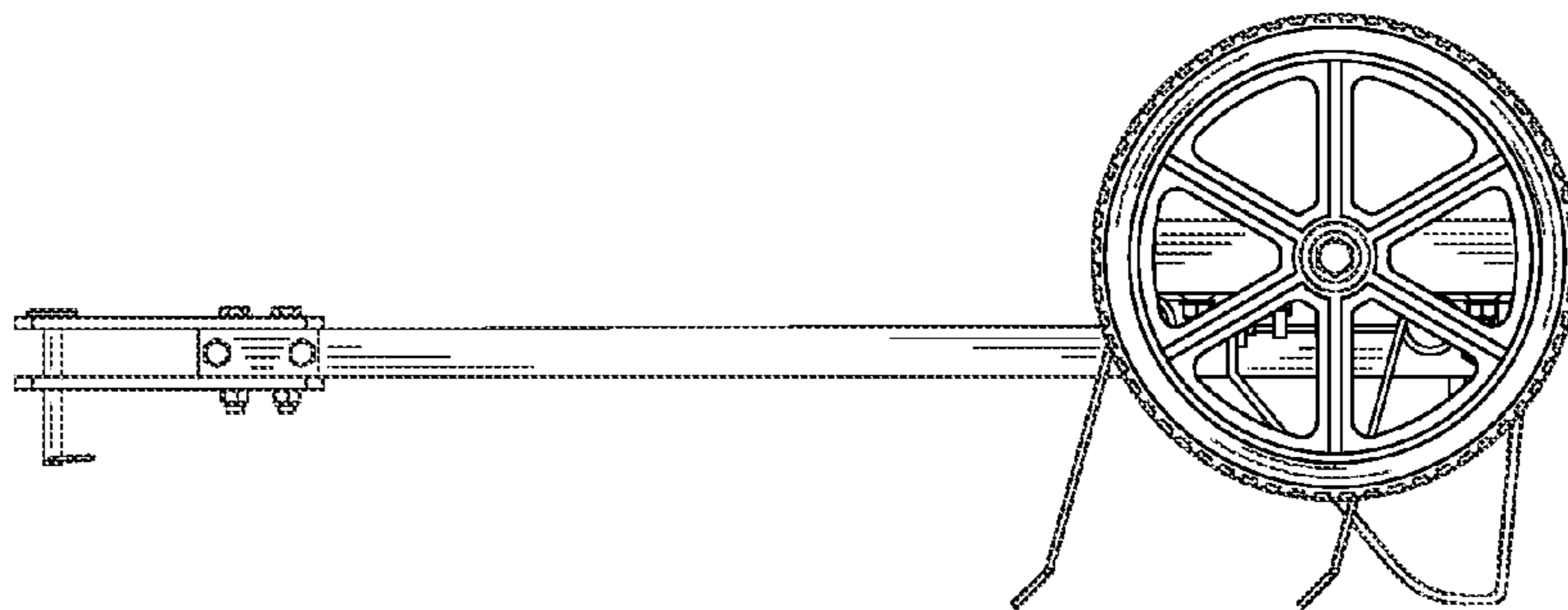


FIG. 6

