



US00D550252S

(12) **United States Design Patent**
Bowsher

(10) **Patent No.:** **US D550,252 S**

(45) **Date of Patent:** **** Sep. 4, 2007**

(54) **PLUG AERATOR LIFT LEVER**

(75) **Inventor:** **Neil Edwin Bowsher, Sullivan, IL (US)**

(73) **Assignee:** **Agri-Fab, Inc., Sullivan, IL (US)**

(**) **Term:** **14 Years**

(21) **Appl. No.:** **29/247,227**

(22) **Filed:** **Jun. 7, 2006**

(51) **LOC (8) Cl.** **15-03**

(52) **U.S. Cl.** **D15/27**

(58) **Field of Classification Search** D15/27,
D15/28, 29, 33, 10, 11; 111/12, 901; 56/396,
56/397; 172/21, 22, 544, 545, 56, 57, 60,
172/45, 548, 549, 556, 557, 552, 799.5, 237,
172/240, 676, 241

See application file for complete search history.

(56) **References Cited**

U.S. PATENT DOCUMENTS

2,069,958	A *	2/1937	Kool	56/400.16
2,193,009	A *	3/1940	Riggs	172/552
2,580,236	A *	12/1951	Mascaro	172/419
D195,863	S *	8/1963	Breed et al.	D15/27
D281,693	S *	12/1985	Doering	D15/27
4,558,746	A *	12/1985	Powell et al.	172/421
D282,261	S *	1/1986	Doering	D15/27
4,624,195	A	11/1986	Doering		
4,689,941	A *	9/1987	Doering	56/396
D295,979	S *	5/1988	Baeta	D15/27
D298,138	S *	10/1988	Starr	D15/27
4,840,232	A *	6/1989	Mayer	172/21
5,020,602	A *	6/1991	Dellinger	172/21
5,408,813	A	4/1995	Haban et al.		
5,579,847	A *	12/1996	Postema	172/22

5,623,996	A *	4/1997	Postema	172/118
6,179,061	B1 *	1/2001	Fiore	172/21
D437,326	S *	2/2001	Koberlein et al.	D15/11
6,675,905	B2	1/2004	Hill et al.		
D509,228	S *	9/2005	Chapman	D15/27
7,063,165	B2 *	6/2006	Bowsher	172/21
2002/0084082	A1 *	7/2002	Hill et al.	172/22
2006/0027381	A1	2/2006	Bjorge et al.		

* cited by examiner

Primary Examiner—Stella Reid

Assistant Examiner—Mark Goodwin

(74) *Attorney, Agent, or Firm*—Vedder Price Kaufman & Kammholz

(57) **CLAIM**

The ornamental design for a plug aerator lift lever, as shown and described.

DESCRIPTION

FIG. 1 is a perspective view of a plug aerator lift lever;

FIG. 2 is a front view of the plug aerator lift lever of FIG. 1;

FIG. 3 is a back view of the plug aerator lift lever of FIG. 1;

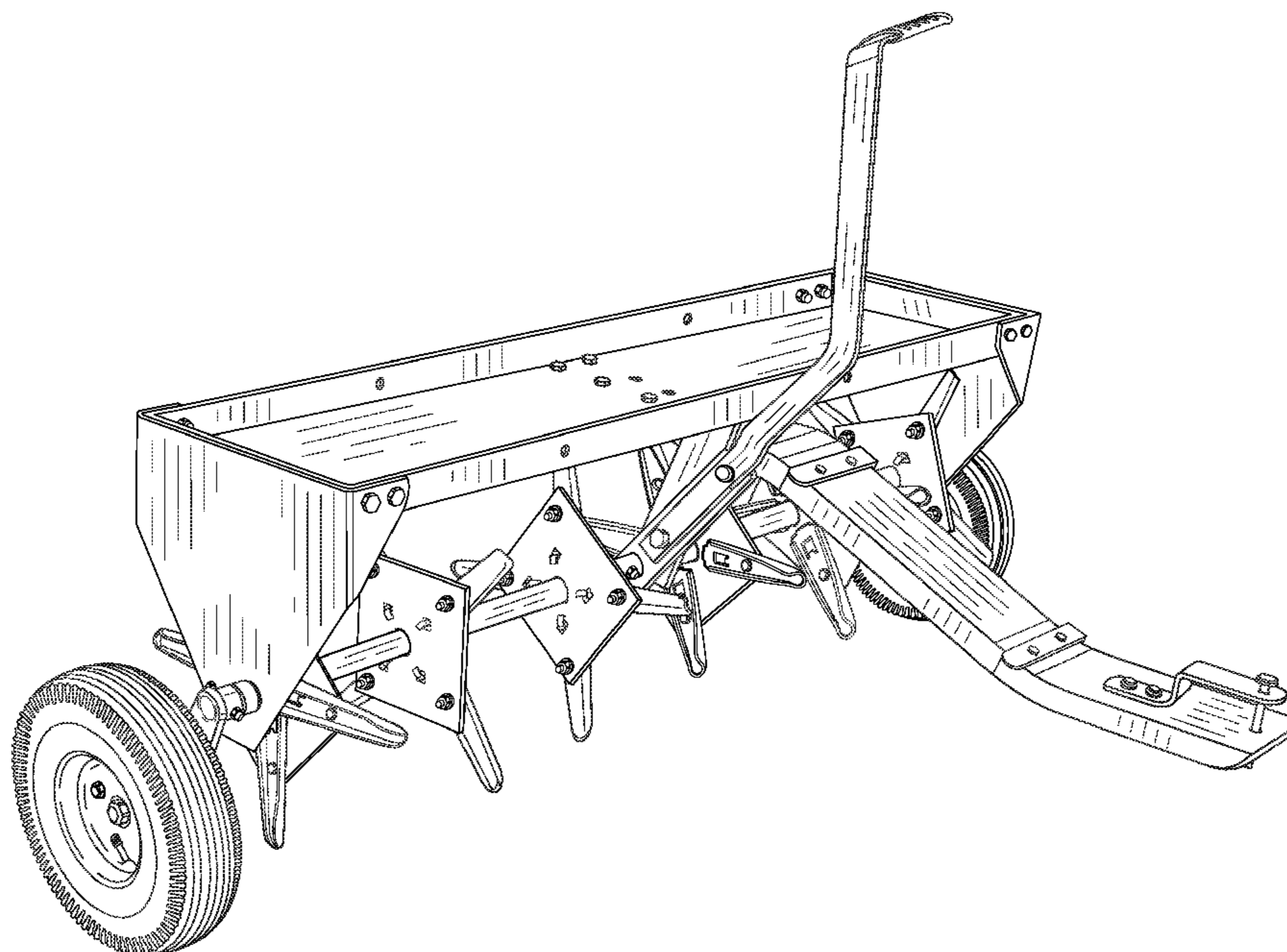
FIG. 4 is a view of one side of the plug aerator lift lever of FIG. 1;

FIG. 5 is a view of another side of the plug aerator lift lever of FIG. 1;

FIG. 6 is a top view of the plug aerator lift lever of FIG. 1; and,

FIG. 7 is a bottom view of the plug aerator lift lever of FIG. 1.

1 Claim, 5 Drawing Sheets



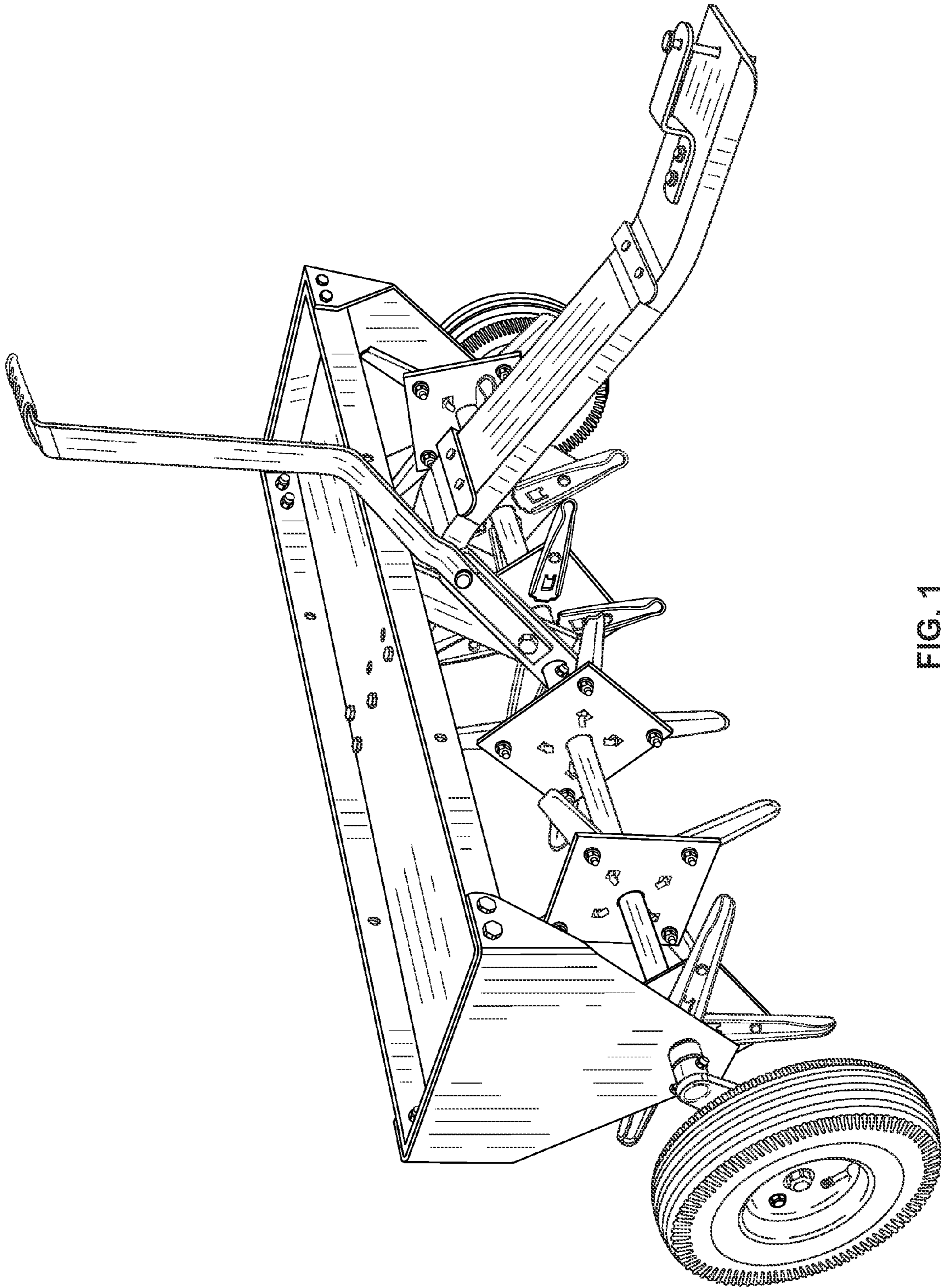


FIG. 1

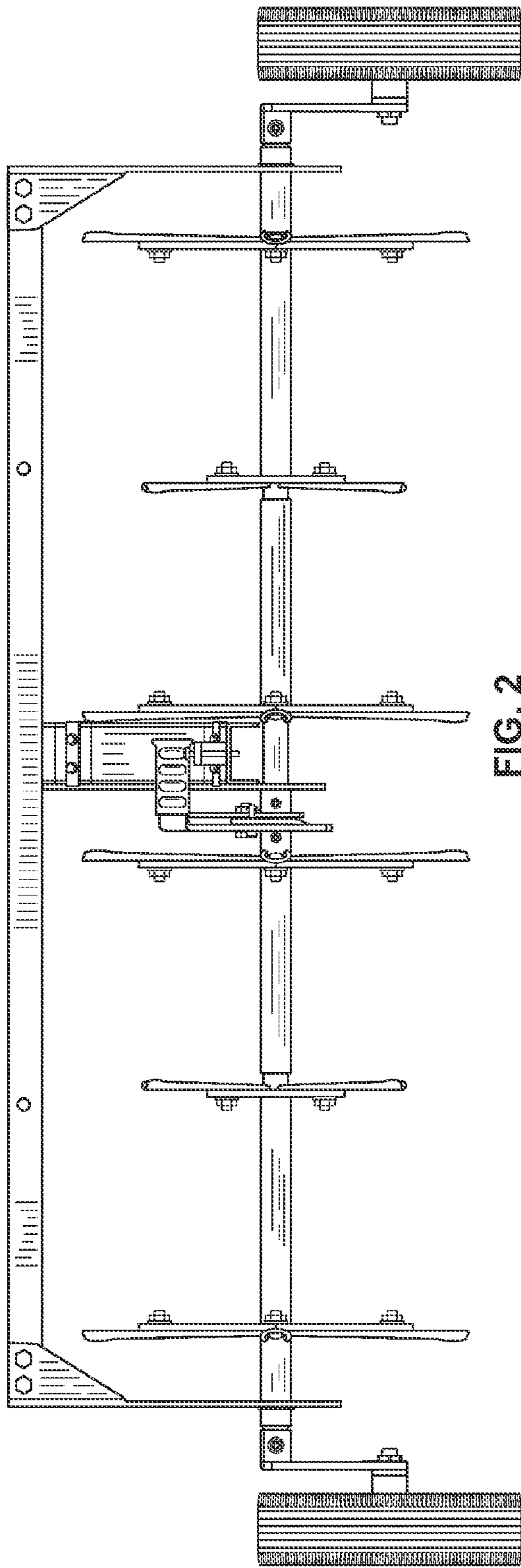


FIG. 2

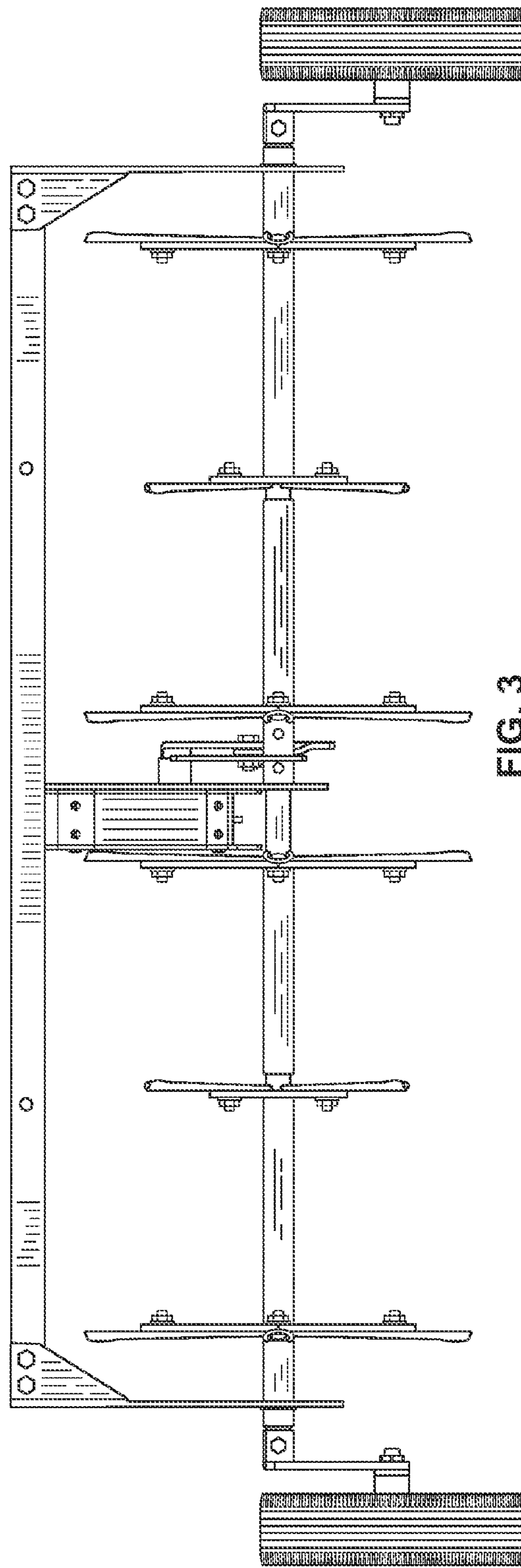


FIG. 3

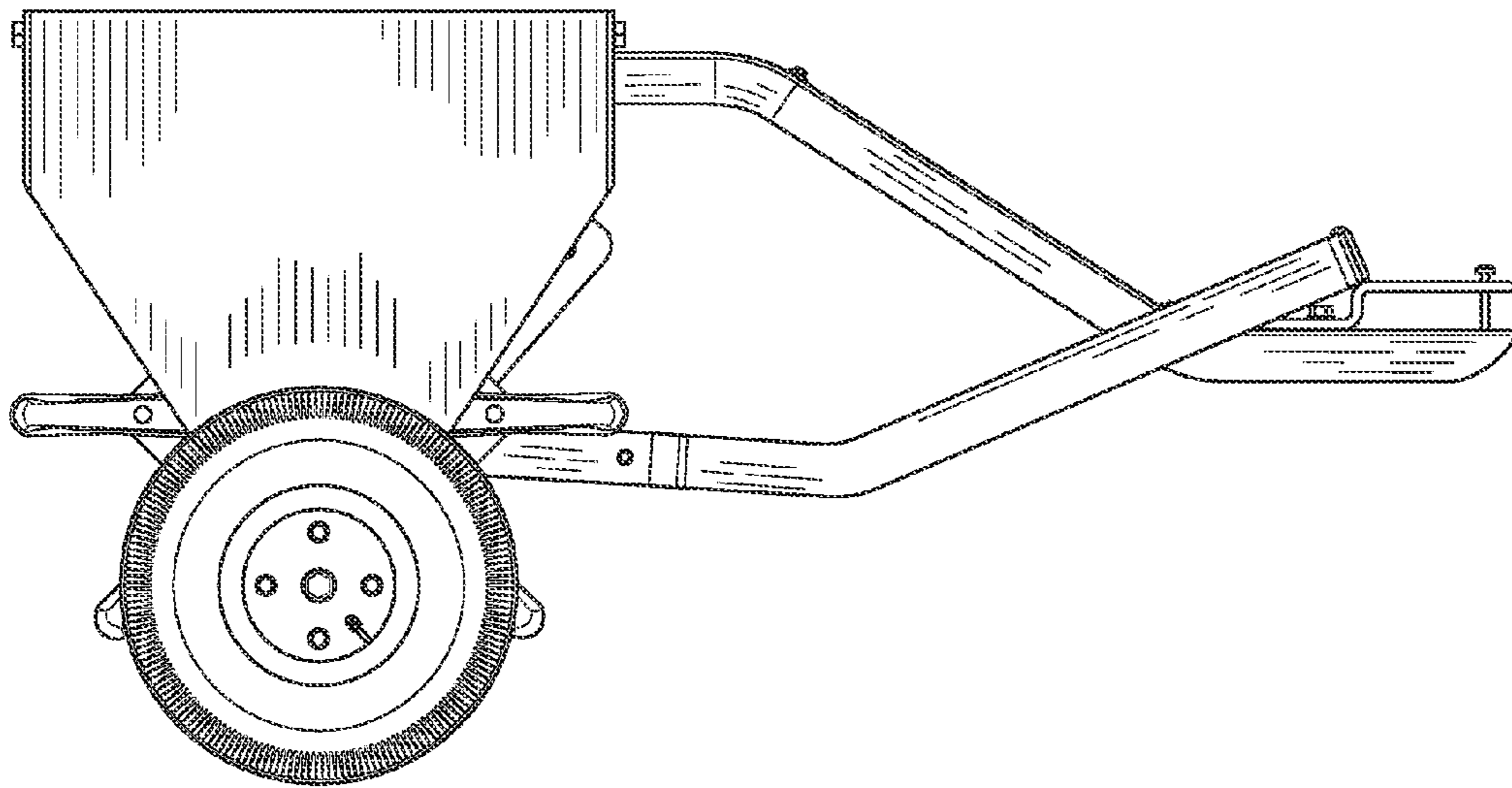


FIG. 4

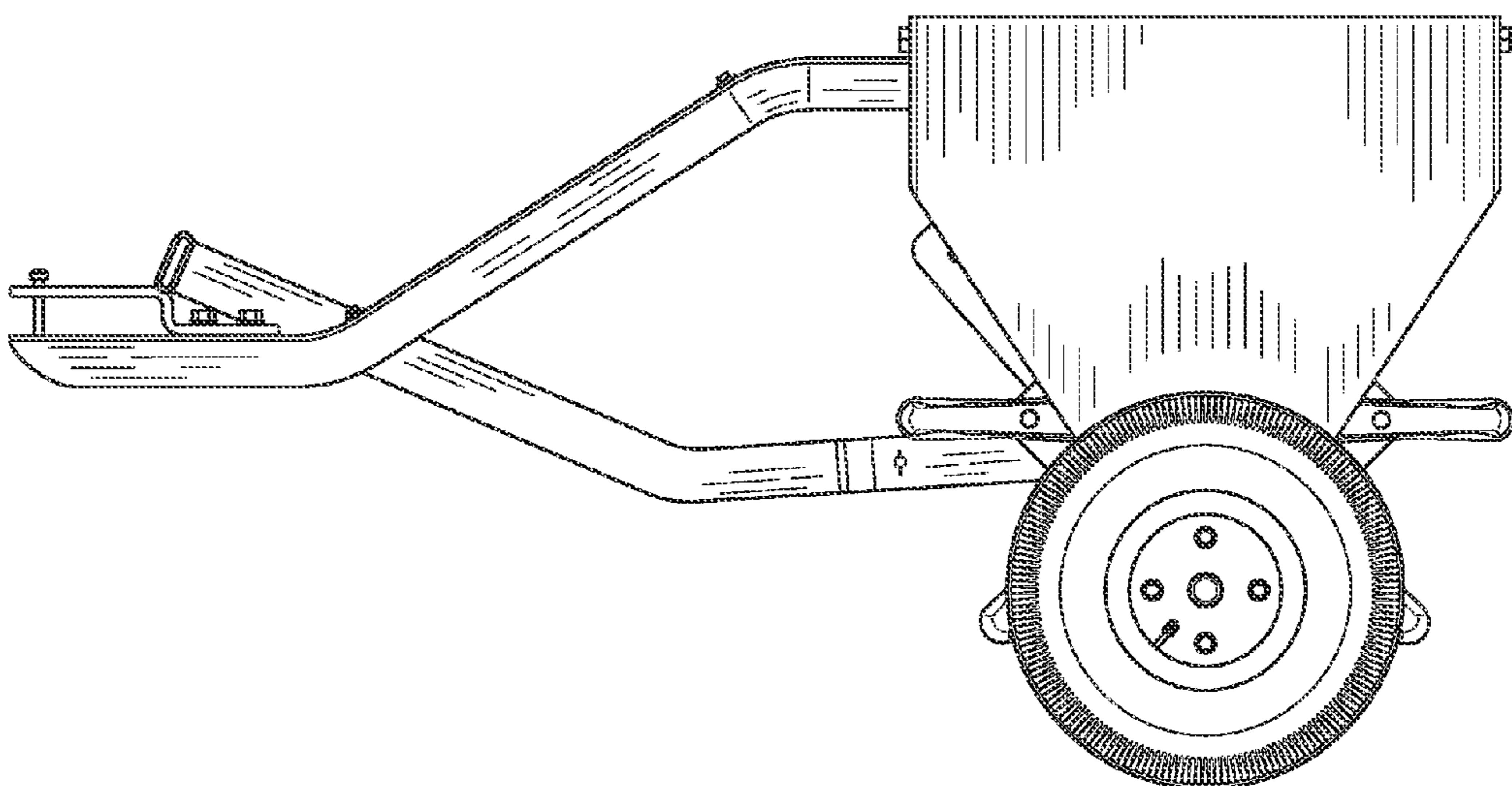


FIG. 5

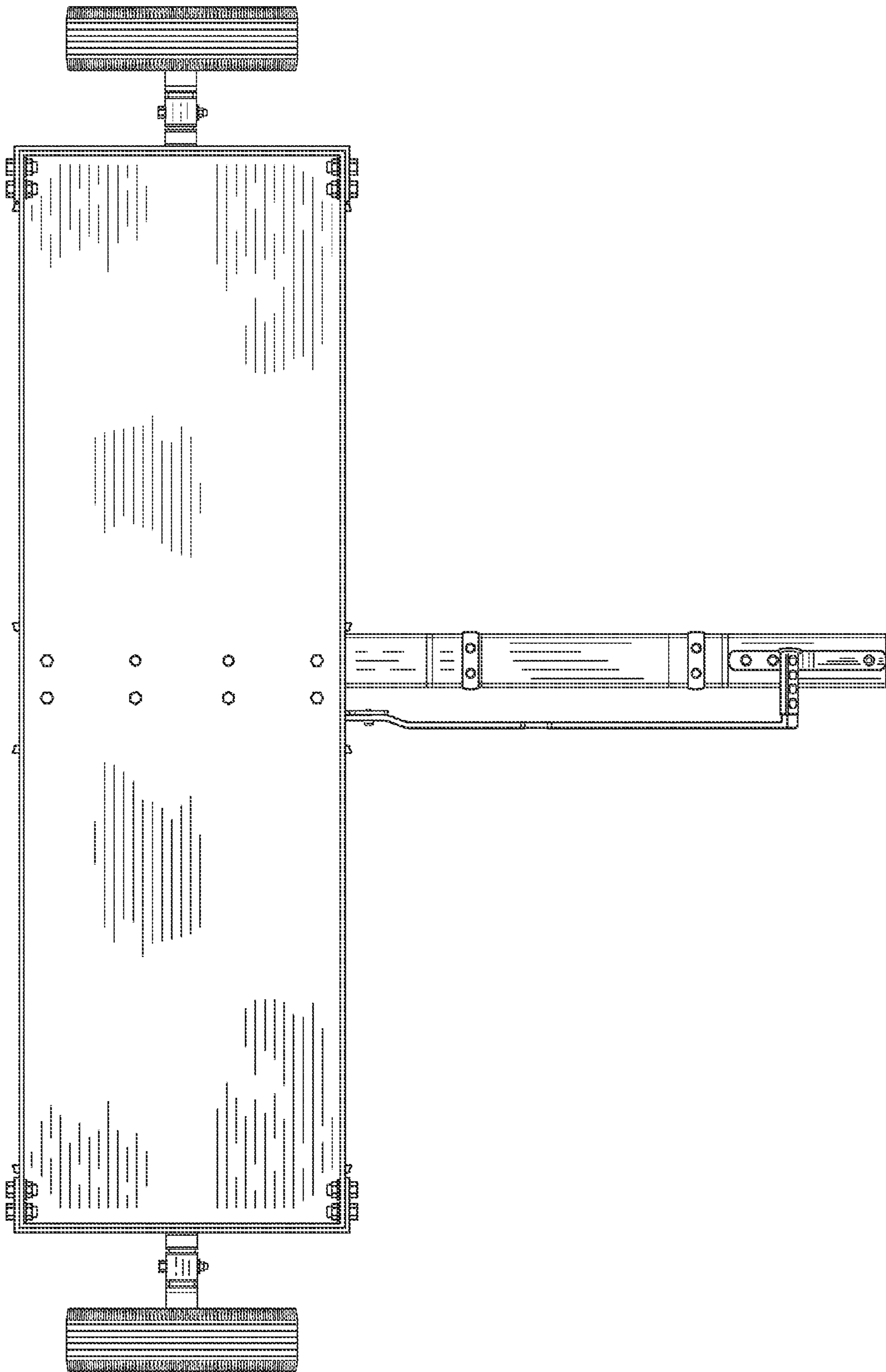


FIG. 6

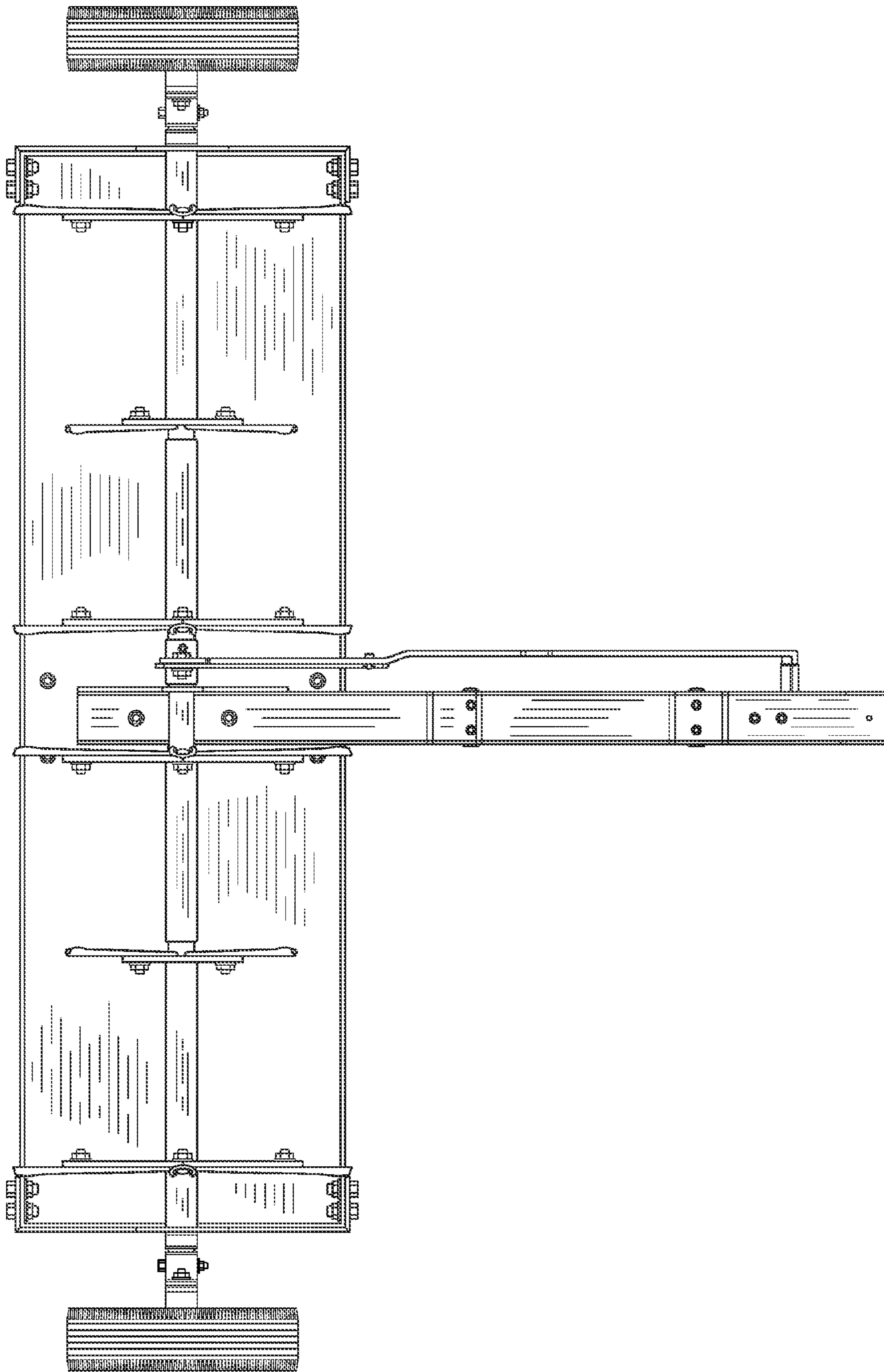


FIG. 7