



US00D550251S

(12) **United States Design Patent**
Matsumoto et al.

(10) **Patent No.:** **US D550,251 S**

(45) **Date of Patent:** **** Sep. 4, 2007**

(54) **PORTION OF A TRACTOR**

(75) Inventors: **Kunihiko Matsumoto**, Osaka (JP);
Junko Shibaoka, Osaka (JP)

(73) Assignee: **Yanmar Co., Ltd.**, Osaka (JP)

(**) Term: **14 Years**

(21) Appl. No.: **29/245,380**

(22) Filed: **Dec. 23, 2005**

(30) **Foreign Application Priority Data**

Jun. 23, 2005 (JP) 2005-18252

(51) **LOC (8) Cl.** **12-09**

(52) **U.S. Cl.** **D15/23**

(58) **Field of Classification Search** D15/10,
D15/11, 14-17, 22-26, 28, 30, 31, 33; 180/89.1,
180/89.12, 900; 56/12.7, 15.8, 220, 16.7,
56/202, 254, 255, 297, 320.1, 320.2, 13.3;
D12/163, 173

See application file for complete search history.

(56) **References Cited**

U.S. PATENT DOCUMENTS

- D311,543 S * 10/1990 Hardzinski et al. D15/17
- D381,341 S * 7/1997 Goebert et al. D15/31
- D383,470 S * 9/1997 Westimayer et al. D15/31
- 5,782,312 A * 7/1998 Murakawa 180/69.2
- D427,205 S * 6/2000 Shimizu D15/23
- 6,082,477 A * 7/2000 Murakawa 180/69.21
- D440,982 S * 4/2001 Knight et al. D15/23
- D447,492 S * 9/2001 Goebert et al. D15/31
- D448,037 S * 9/2001 Westimayer et al. D15/31
- D453,776 S * 2/2002 Williams D15/31

- D455,157 S * 4/2002 Williams D15/31
- D455,764 S * 4/2002 Williams D15/33
- D458,945 S * 6/2002 Hohnl et al. D15/31
- D473,881 S * 4/2003 Kuwae D15/28
- D473,882 S * 4/2003 Kuwae D15/31
- D474,206 S * 5/2003 Kuwae D15/31
- D497,370 S * 10/2004 Katoh D15/31
- D527,742 S * 9/2006 Kuwae D15/31
- D527,743 S * 9/2006 Asada et al. D15/31

* cited by examiner

Primary Examiner—Stella Reid

Assistant Examiner—Mark Goodwin

(74) *Attorney, Agent, or Firm*—Sterne, Kessler, Goldstein & Fox P.L.L.C.

(57) **CLAIM**

The ornamental design for a portion of a tractor, as shown and described.

DESCRIPTION

FIG. 1 is a front perspective view of a portion of a tractor showing our new design;

FIG. 2 is a left side view thereof;

FIG. 3 is a right side view thereof;

FIG. 4 is a front view thereof;

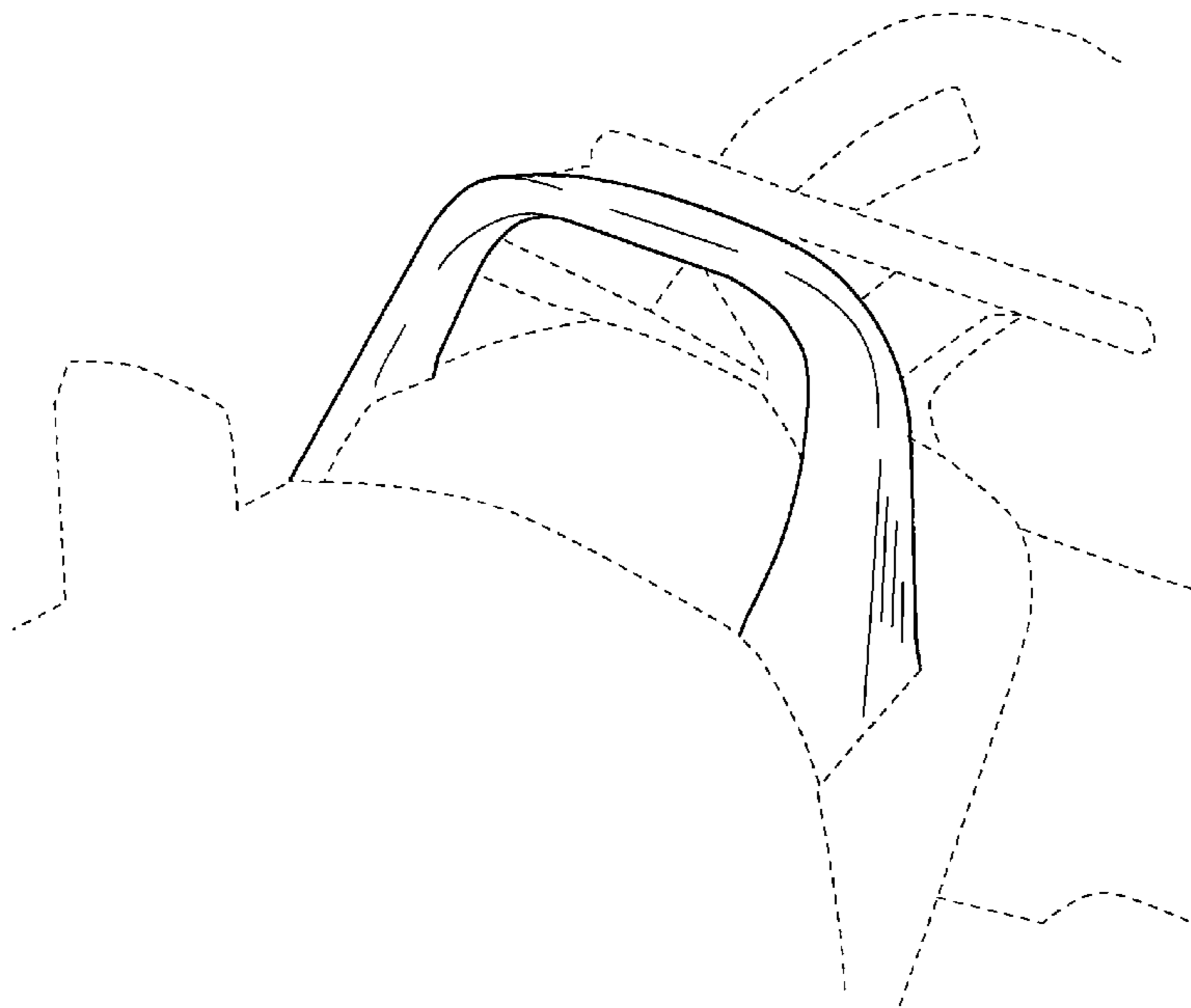
FIG. 5 is a rear view thereof;

FIG. 6 is a top plan view thereof; and,

FIG. 7 is a rear perspective view thereof.

The broken line showing of the tractor is included for the purpose of illustrating environmental structure and forms no part of the claimed design.

1 Claim, 7 Drawing Sheets



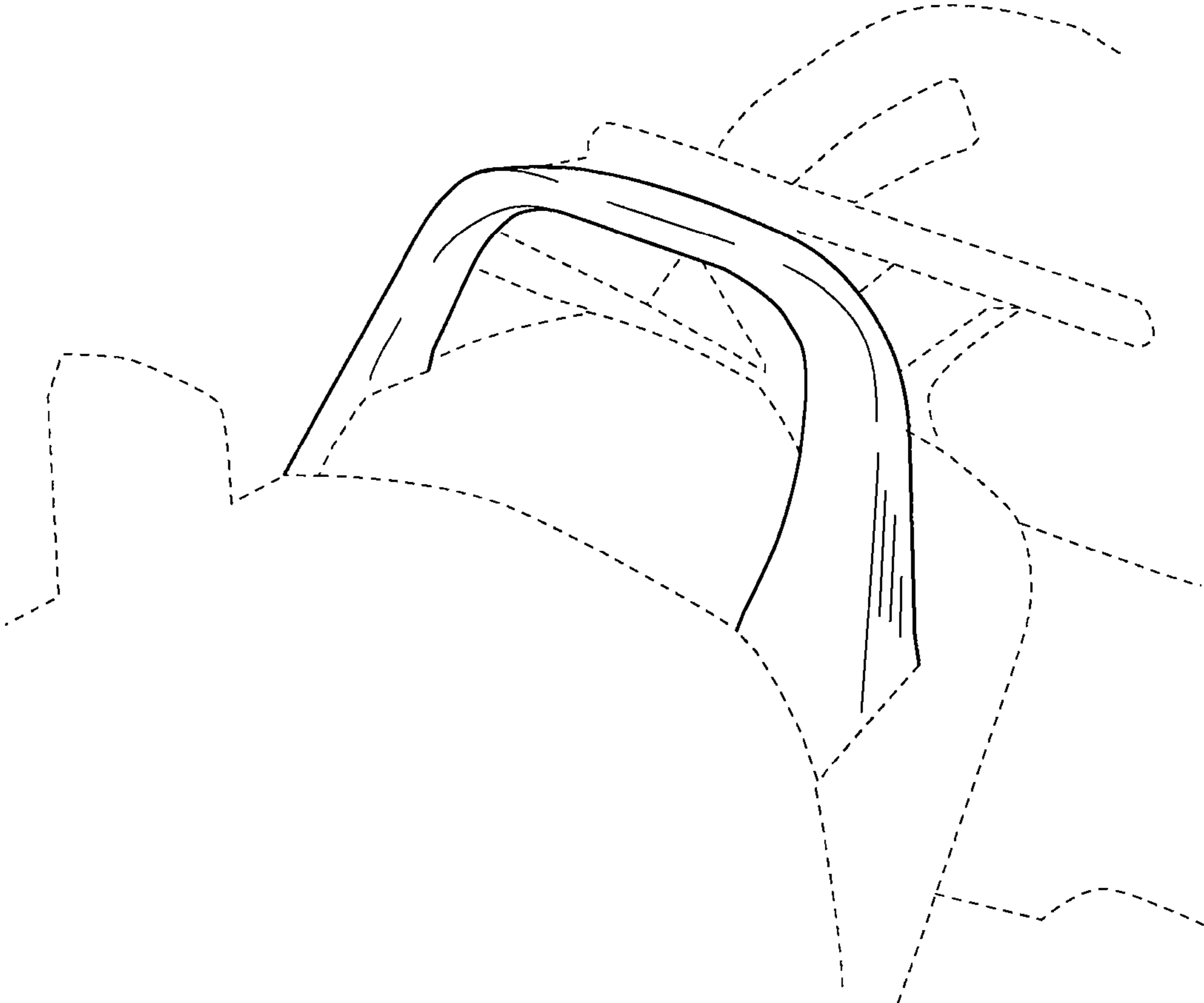


FIG. 1

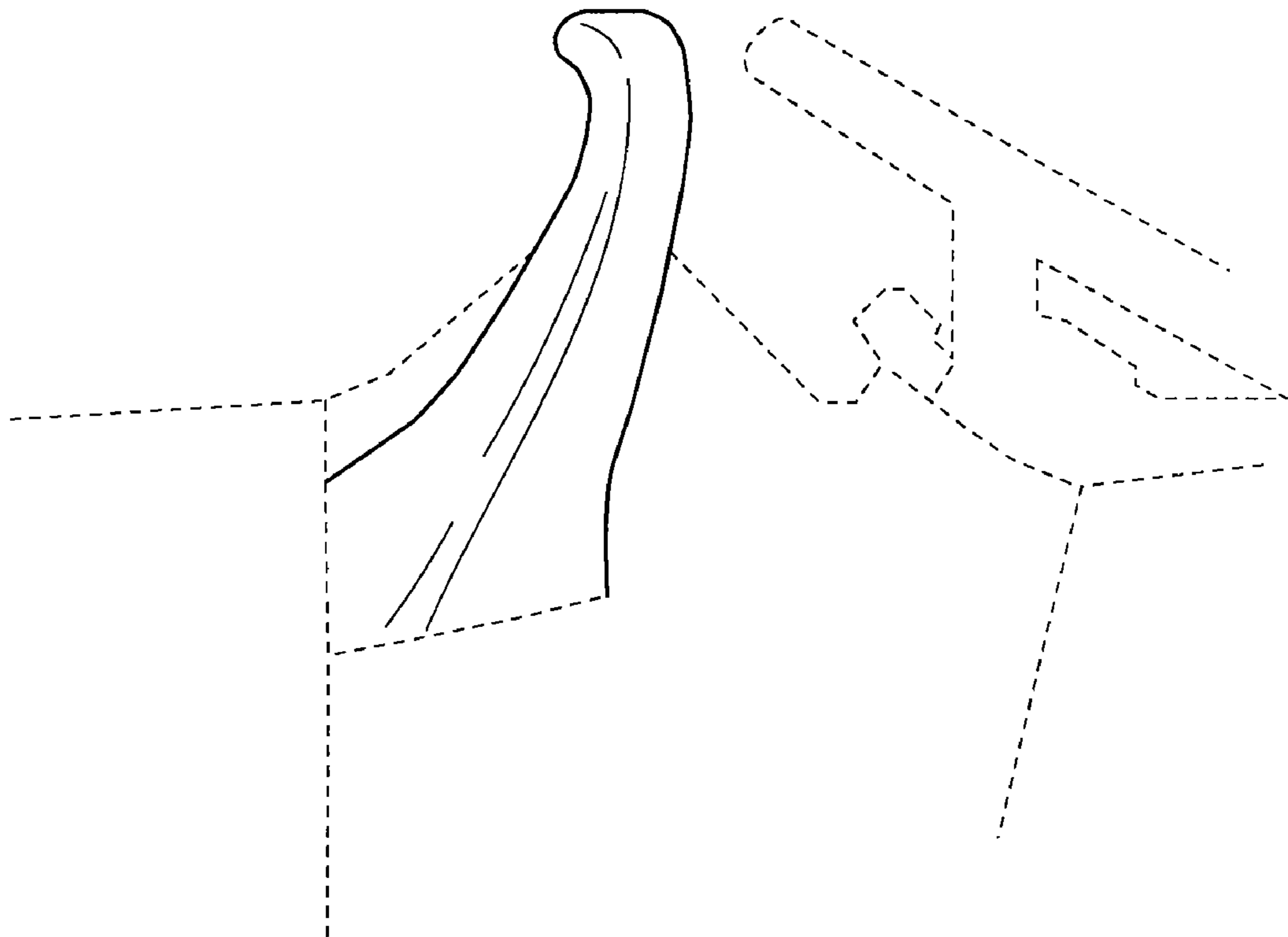


FIG. 2

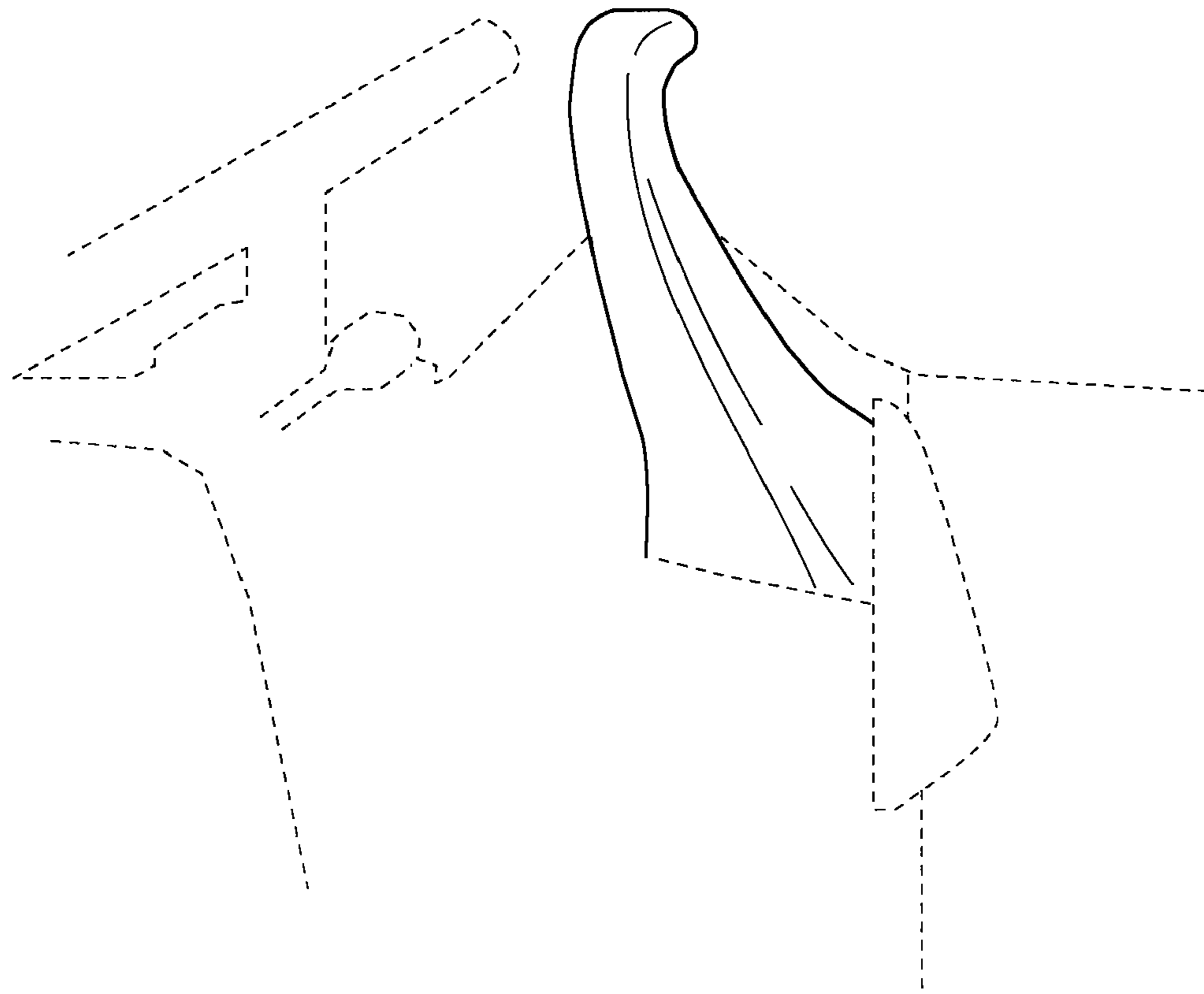


FIG. 3

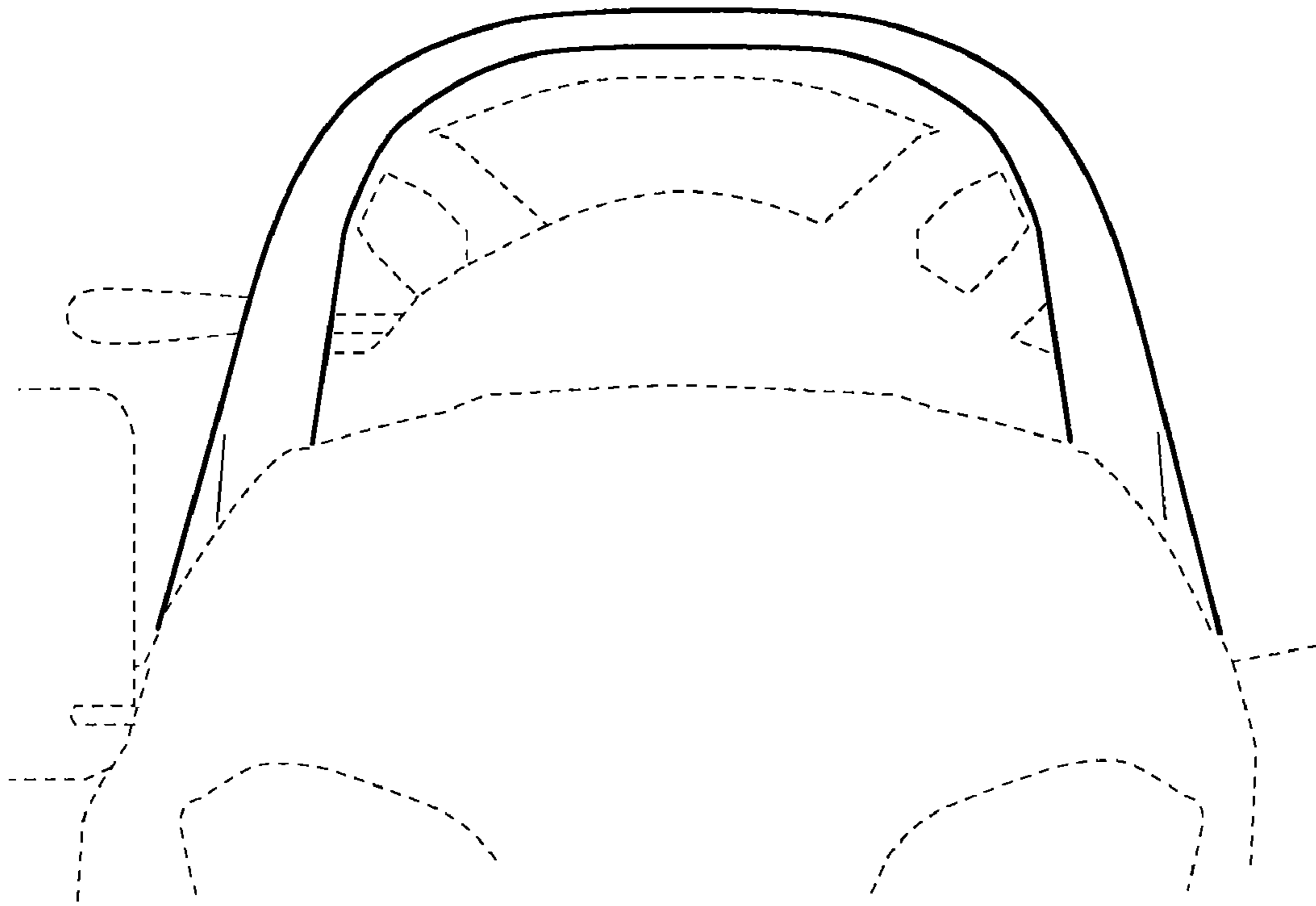


FIG. 4

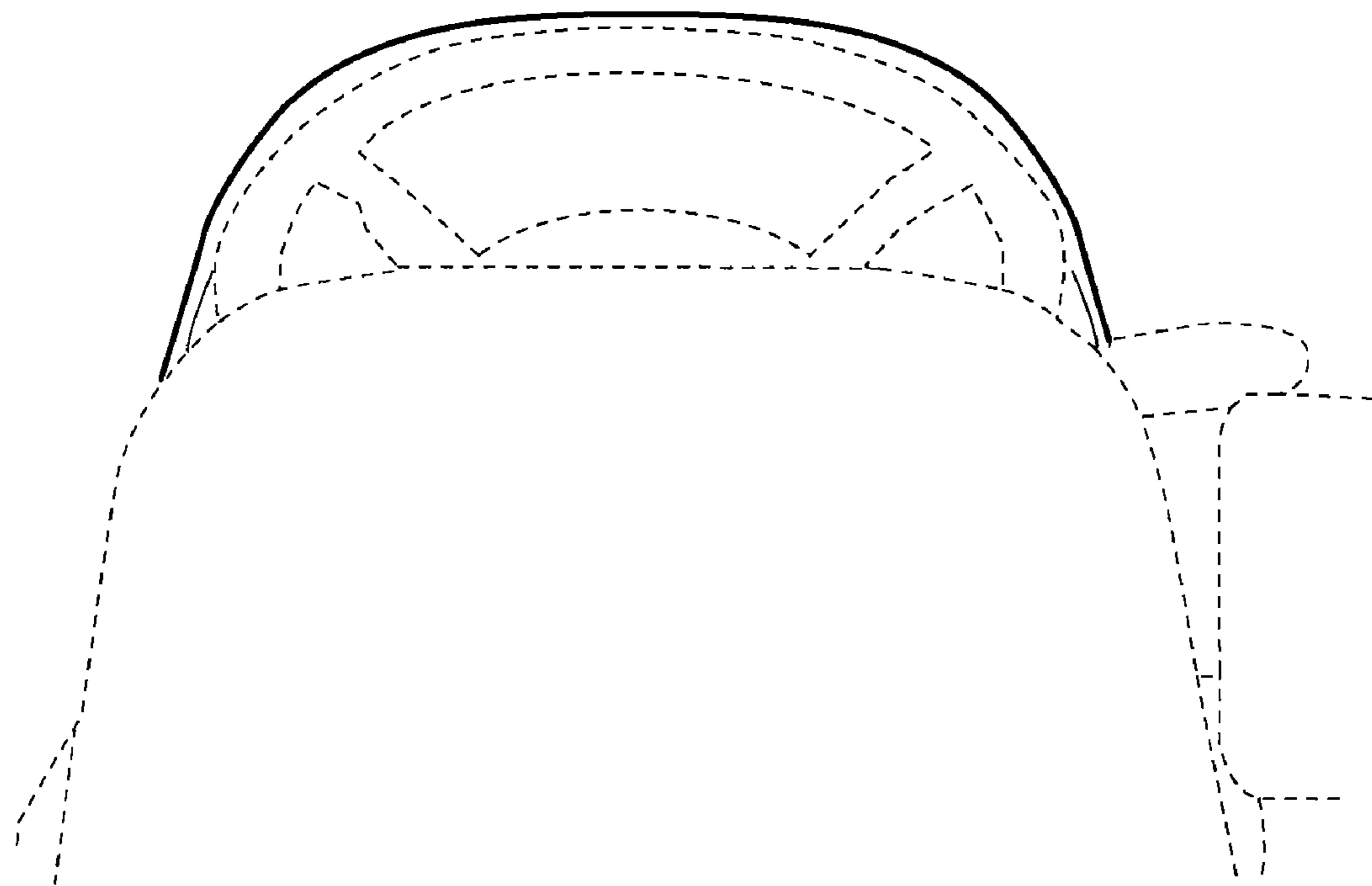


FIG. 5

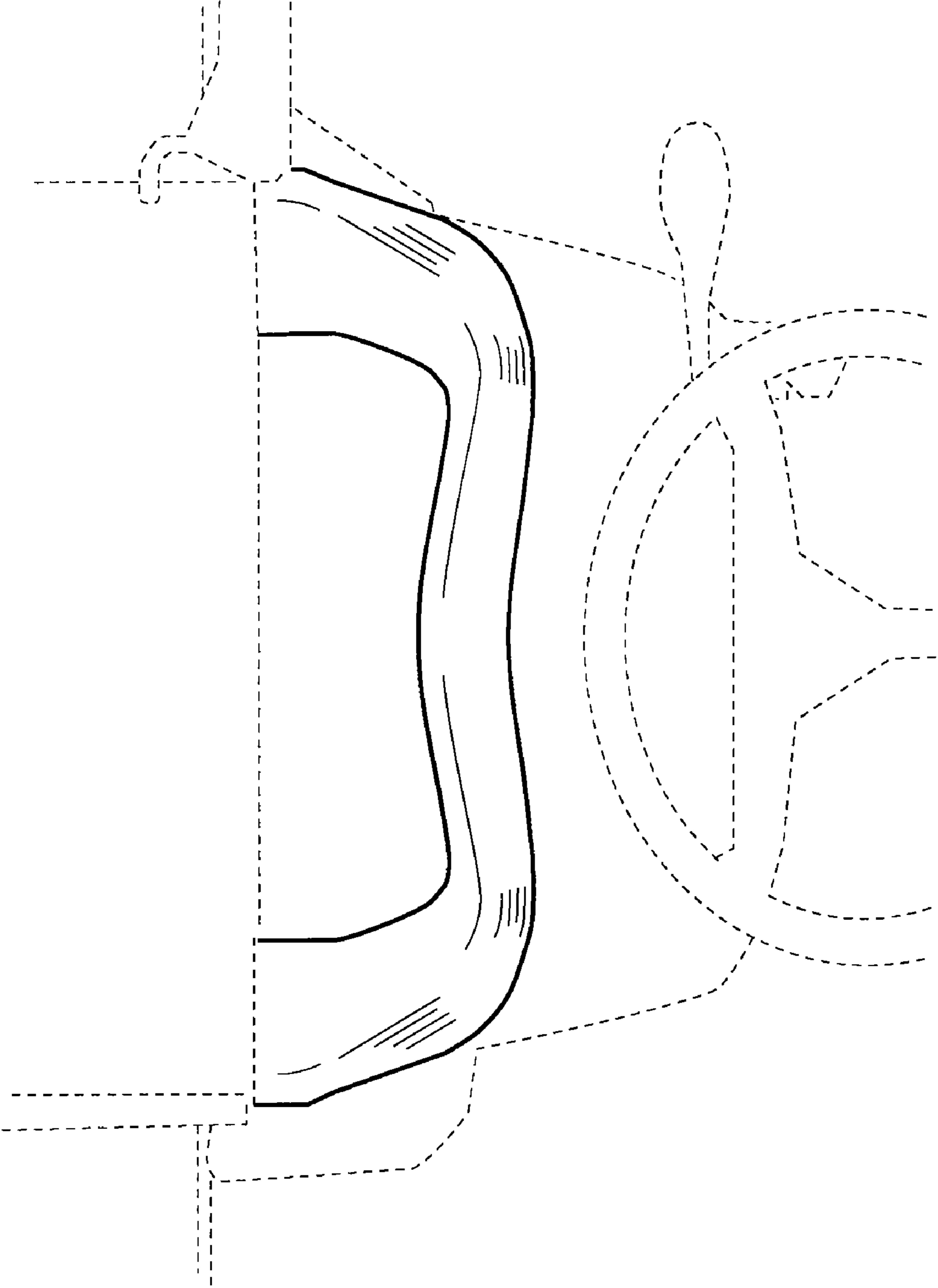


FIG. 6

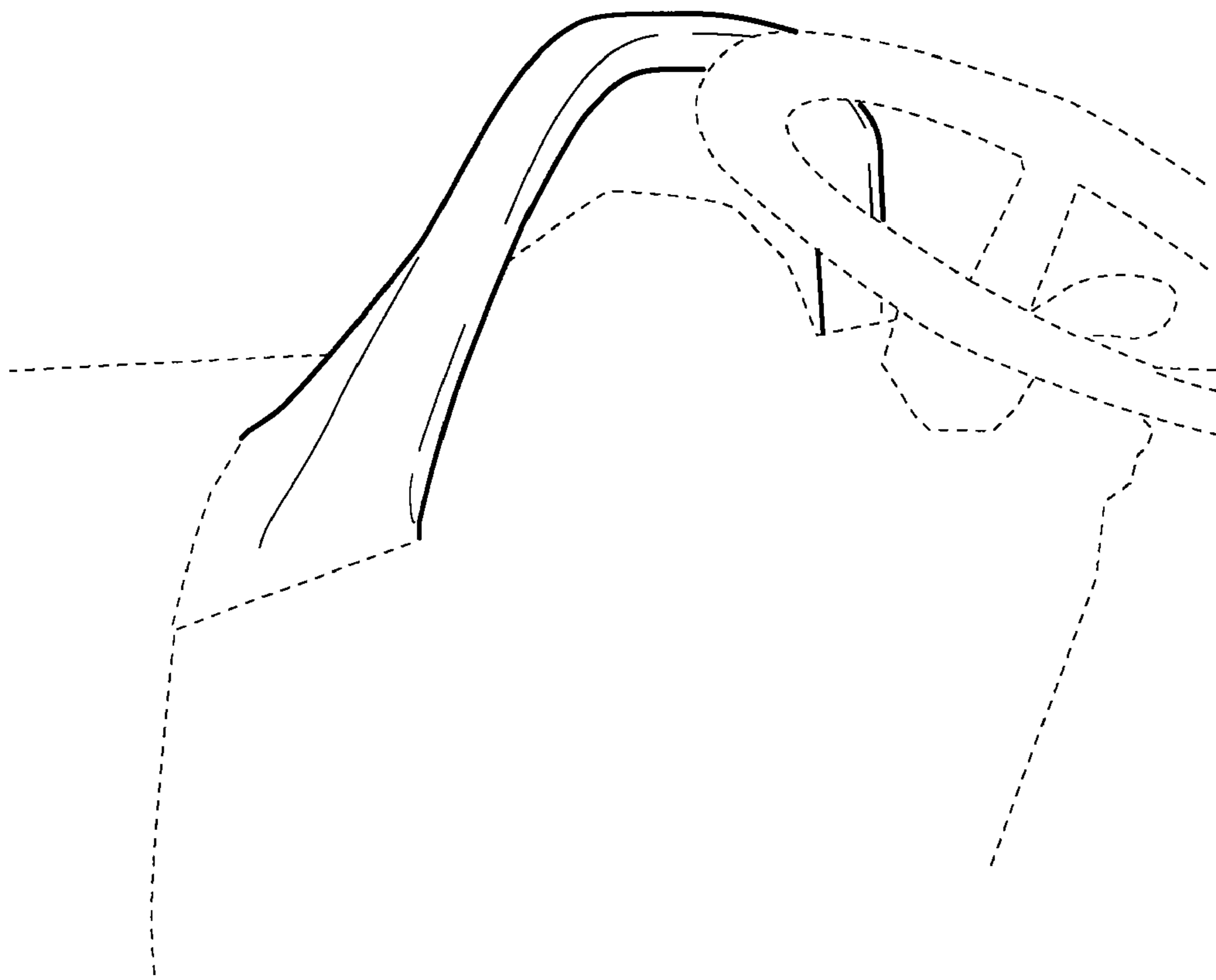


FIG. 7