



US00D550245S

(12) **United States Design Patent**
Niijima

(10) **Patent No.:** **US D550,245 S**

(45) **Date of Patent:** **** Sep. 4, 2007**

(54) **COMPUTER GENERATED IMAGE FOR A DISPLAY PANEL OR SCREEN**

(75) Inventor: **Makoto Niijima**, Tokyo (JP)

(73) Assignee: **Sony Corporation**, Tokyo (JP)

(**) Term: **14 Years**

(21) Appl. No.: **29/242,413**

(22) Filed: **Nov. 10, 2005**

(51) **LOC (8) Cl.** **14-04**

(52) **U.S. Cl.** **D14/491; D14/492**

(58) **Field of Classification Search** D14/485-95;
D18/24-33; D19/6; D20/11, 23, 29; 715/700-867,
715/973-7

See application file for complete search history.

(56) **References Cited**

U.S. PATENT DOCUMENTS

D295,763	S *	5/1988	Wells-Papanek et al. ..	D14/488
D388,073	S *	12/1997	Yamamoto et al.	D14/492
D388,777	S *	1/1998	Newton et al.	D14/487
D393,845	S *	4/1998	Wanishi et al.	D14/491
D411,527	S *	6/1999	Newton et al.	D14/490
6,014,135	A *	1/2000	Fernandes	715/744
D424,041	S	5/2000	Tambata	
D444,794	S	7/2001	Nashida et al.	
D453,167	S	1/2002	Hasegawa et al.	
6,629,003	B1 *	9/2003	Frizzell et al.	700/97
6,677,968	B1 *	1/2004	Appelman	715/853
2002/0052919	A1 *	5/2002	Morris et al.	709/205
2003/0016251	A1 *	1/2003	Kondo	345/846
2003/0071851	A1 *	4/2003	Unger et al.	345/781
2004/0008229	A1 *	1/2004	Hulcrantz	345/810
2005/0210418	A1 *	9/2005	Marvit et al.	715/863

FOREIGN PATENT DOCUMENTS

EM 000415286-0004 * 11/2005

OTHER PUBLICATIONS

Logo Lounge, by Catharine Fishel and Bill Gardner, Rockport Publishers, Gloucester, MA © 2003, p. 312.*

Symbol Source Book, by Henry Dreyfuss, Van Nostrand Reinhold Company, New York, NY, © 1972, pp. 28, 58 and 65.*

* cited by examiner

Primary Examiner—Robin Webster

Assistant Examiner—Karen E. Kearney

(74) *Attorney, Agent, or Firm*—Rader, Fishman & Grauer PLLC

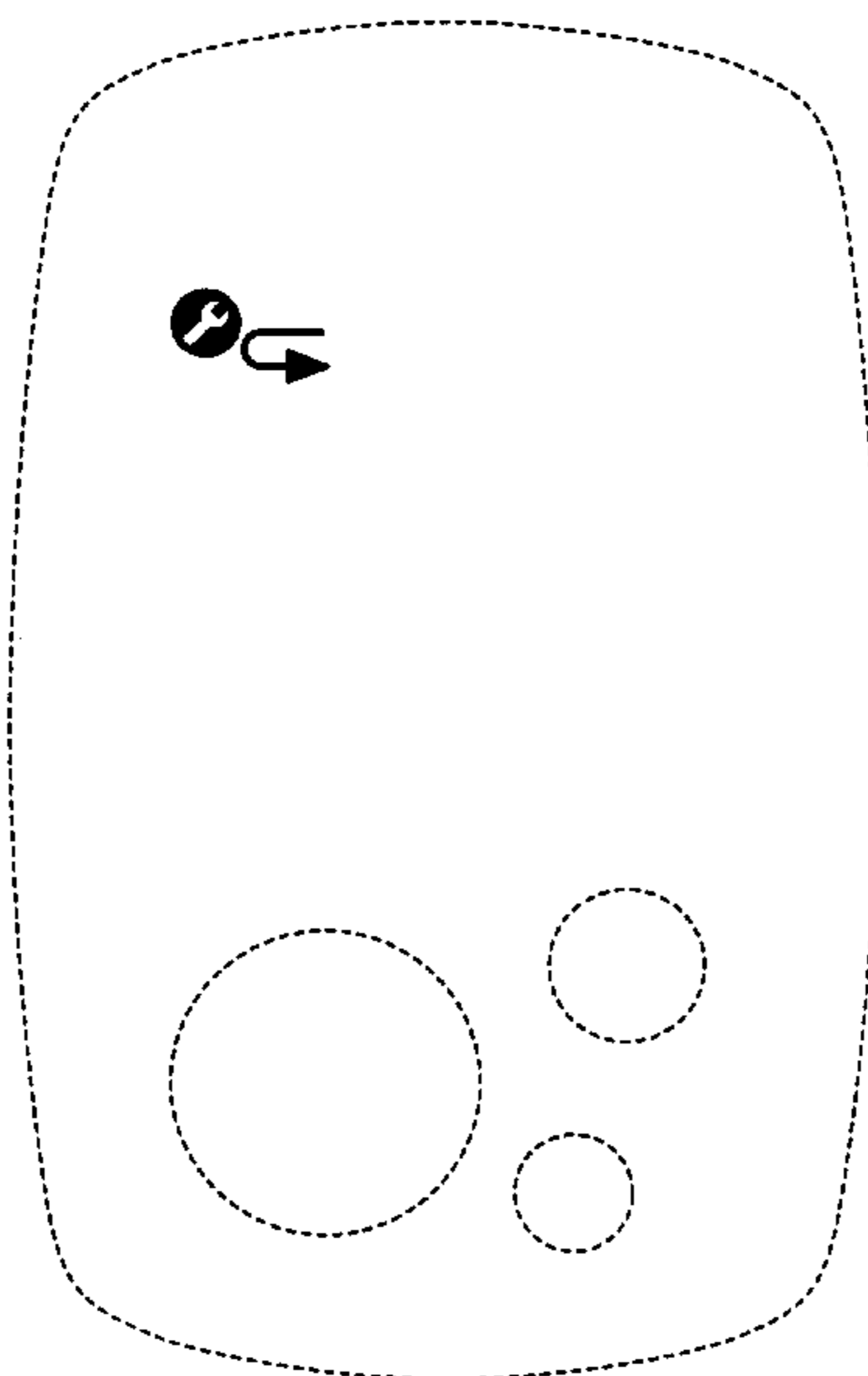
(57) **CLAIM**

The ornamental design for a computer generated image for a display panel or screen, as shown and described.

DESCRIPTION

FIG. 1 is a front elevational view of a computer generated image for a display panel or screen showing my new design; FIG. 2 is a front elevational view of a second image thereof; FIG. 3 is a front elevational view of a third image thereof; FIG. 4 is a front elevational view of a fourth image thereof; FIG. 5 is a front elevational view of a fifth image thereof; FIG. 6 is a front elevational view of a sixth image thereof; FIG. 7 is a front elevational view of a seventh image thereof; FIG. 8 is a front elevational view of an eighth image thereof; and, FIG. 9 is a front elevational view of a ninth image thereof. The broken line showing of a portion of a display panel or screen is for illustrating environmental structure and forms no part of the claimed design.

1 Claim, 9 Drawing Sheets



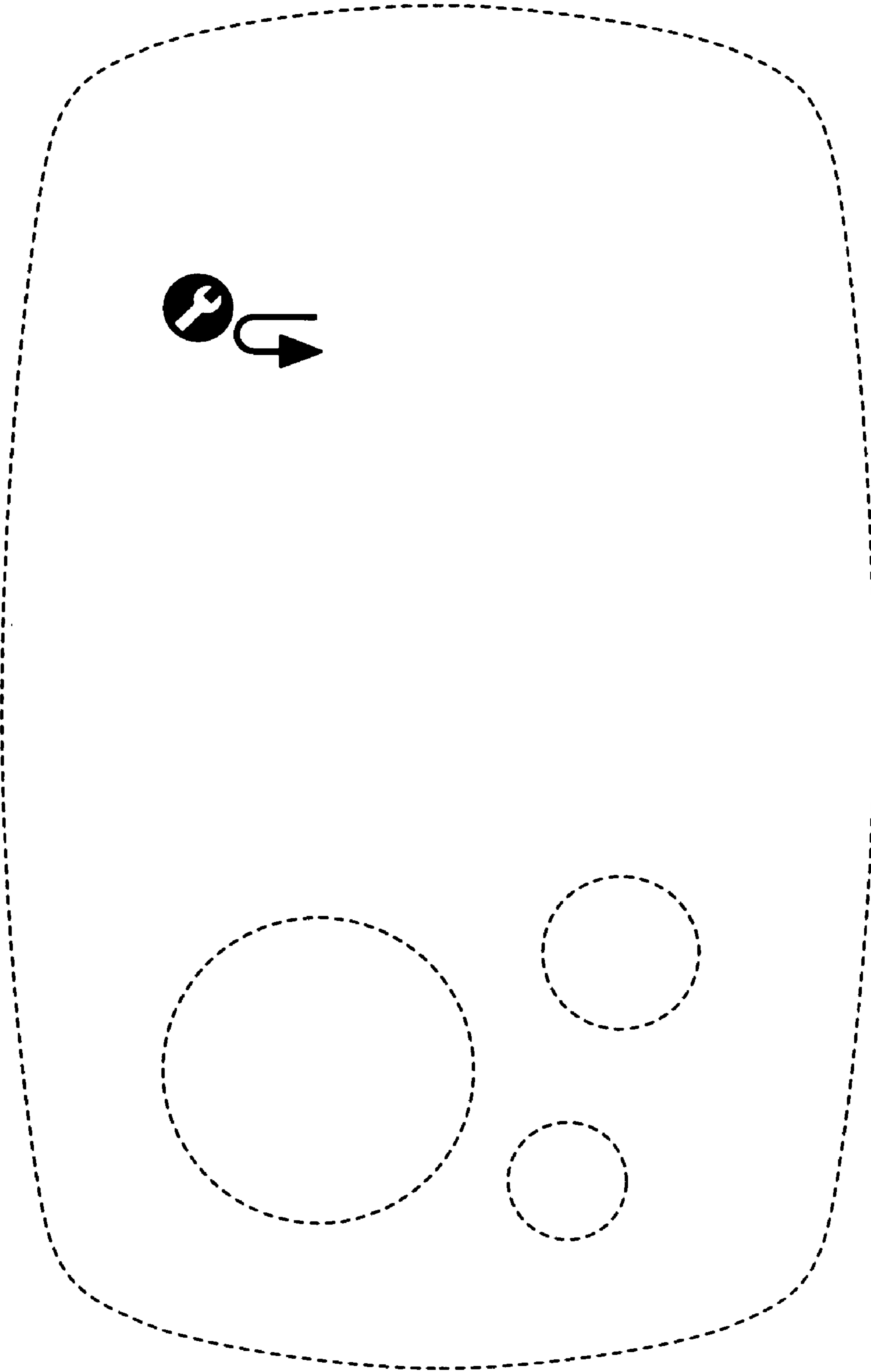


FIG. 1

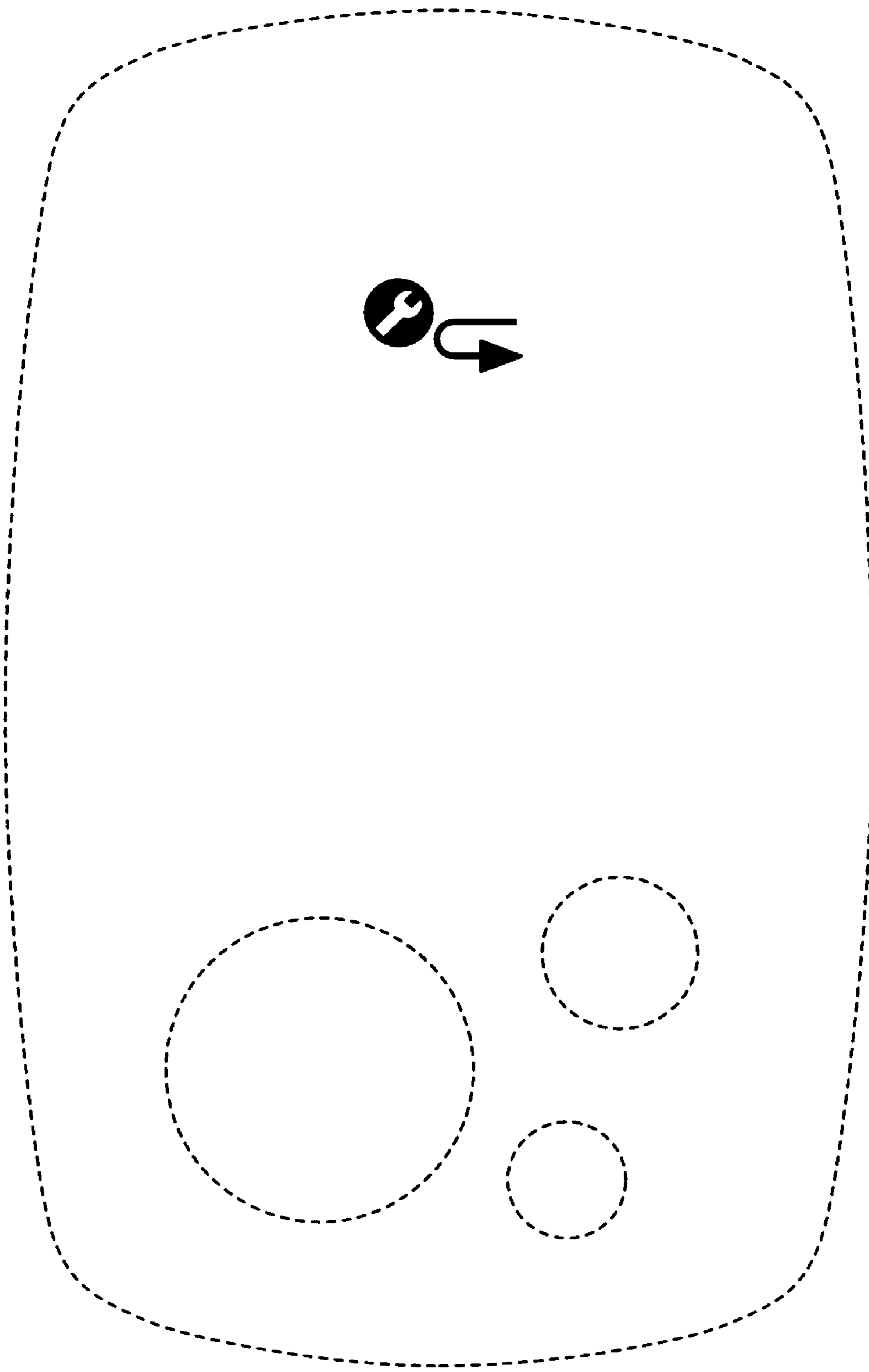


FIG. 2

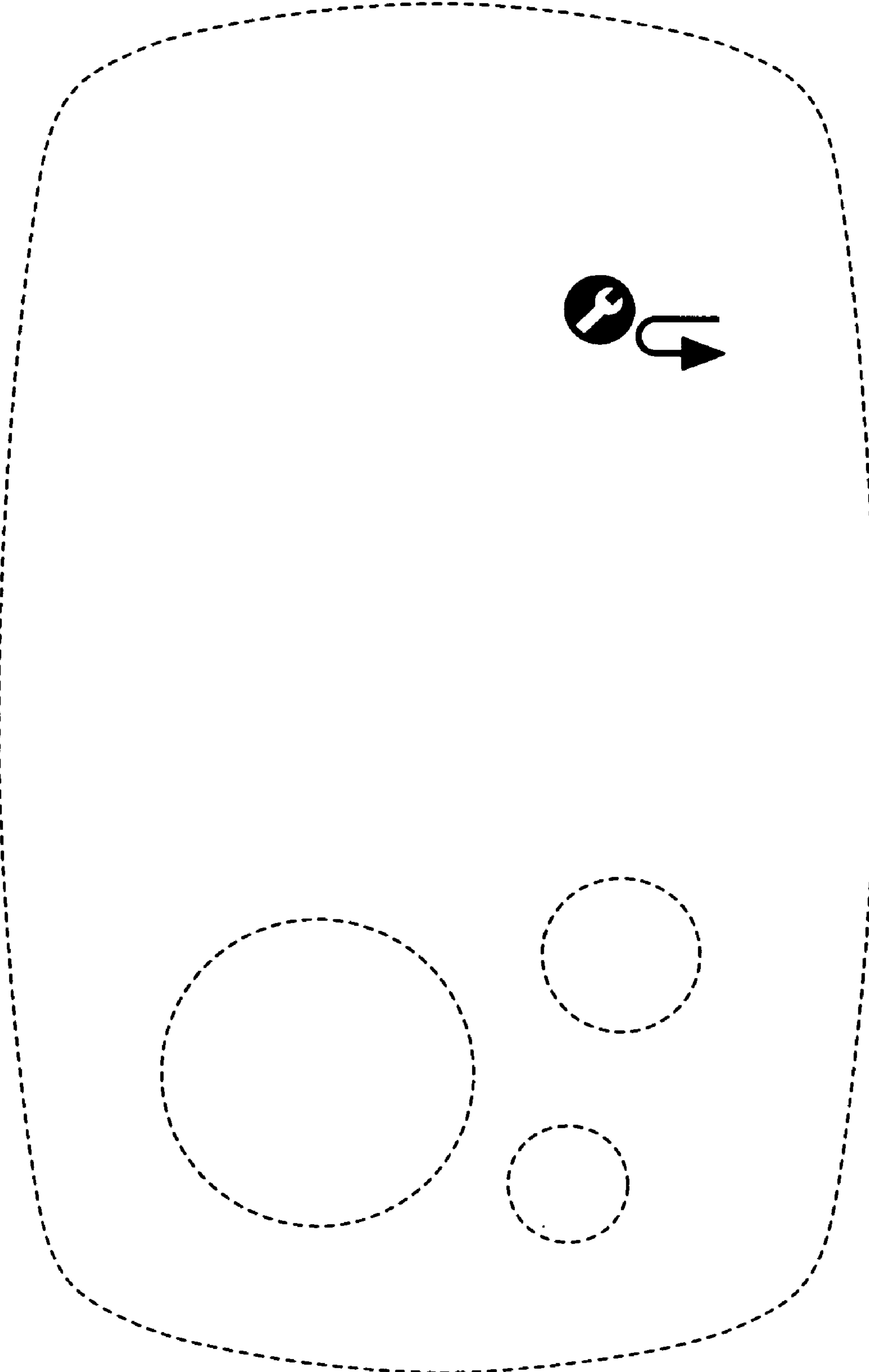


FIG. 3

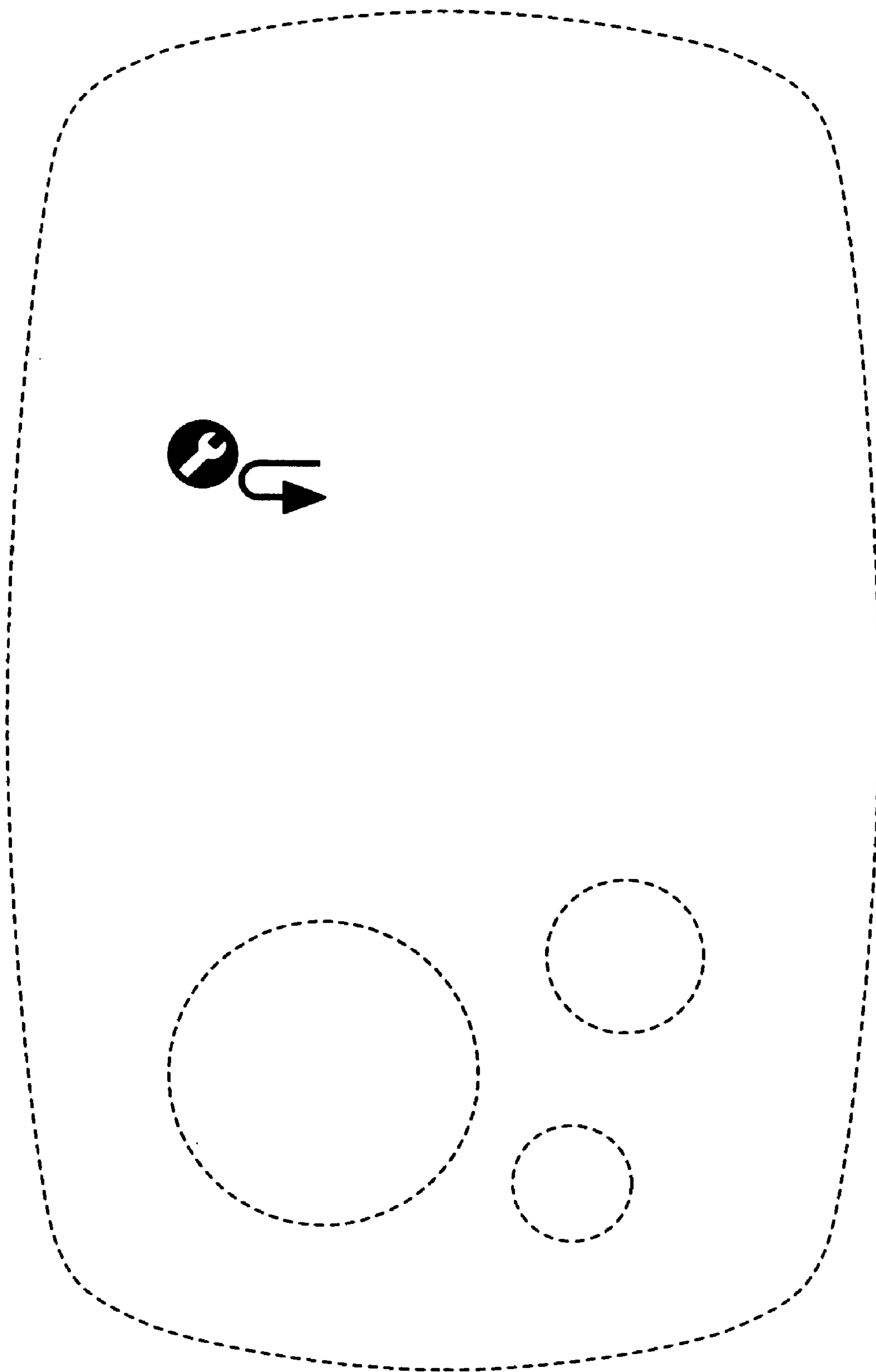


FIG. 4

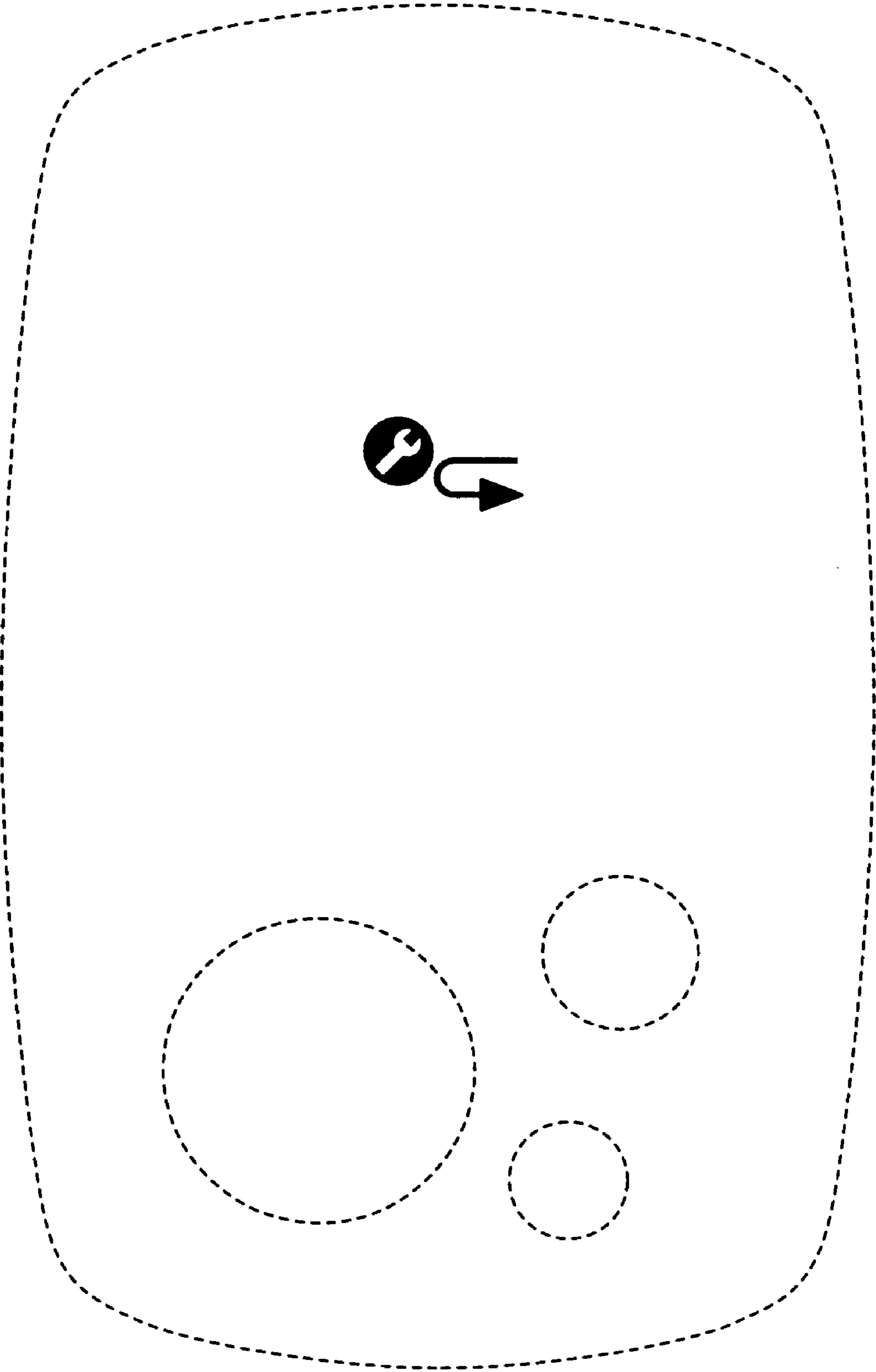


FIG. 5

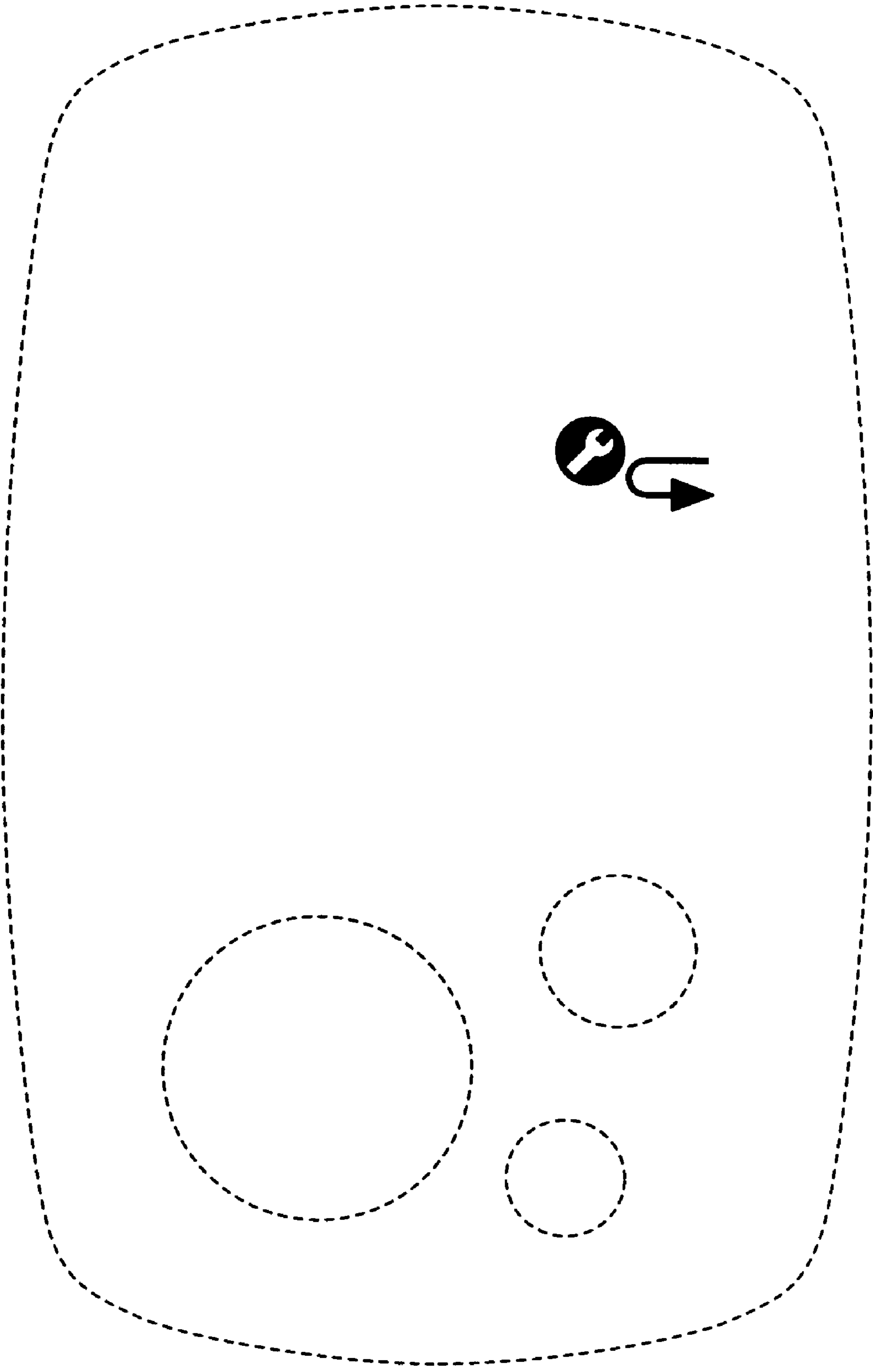


FIG. 6

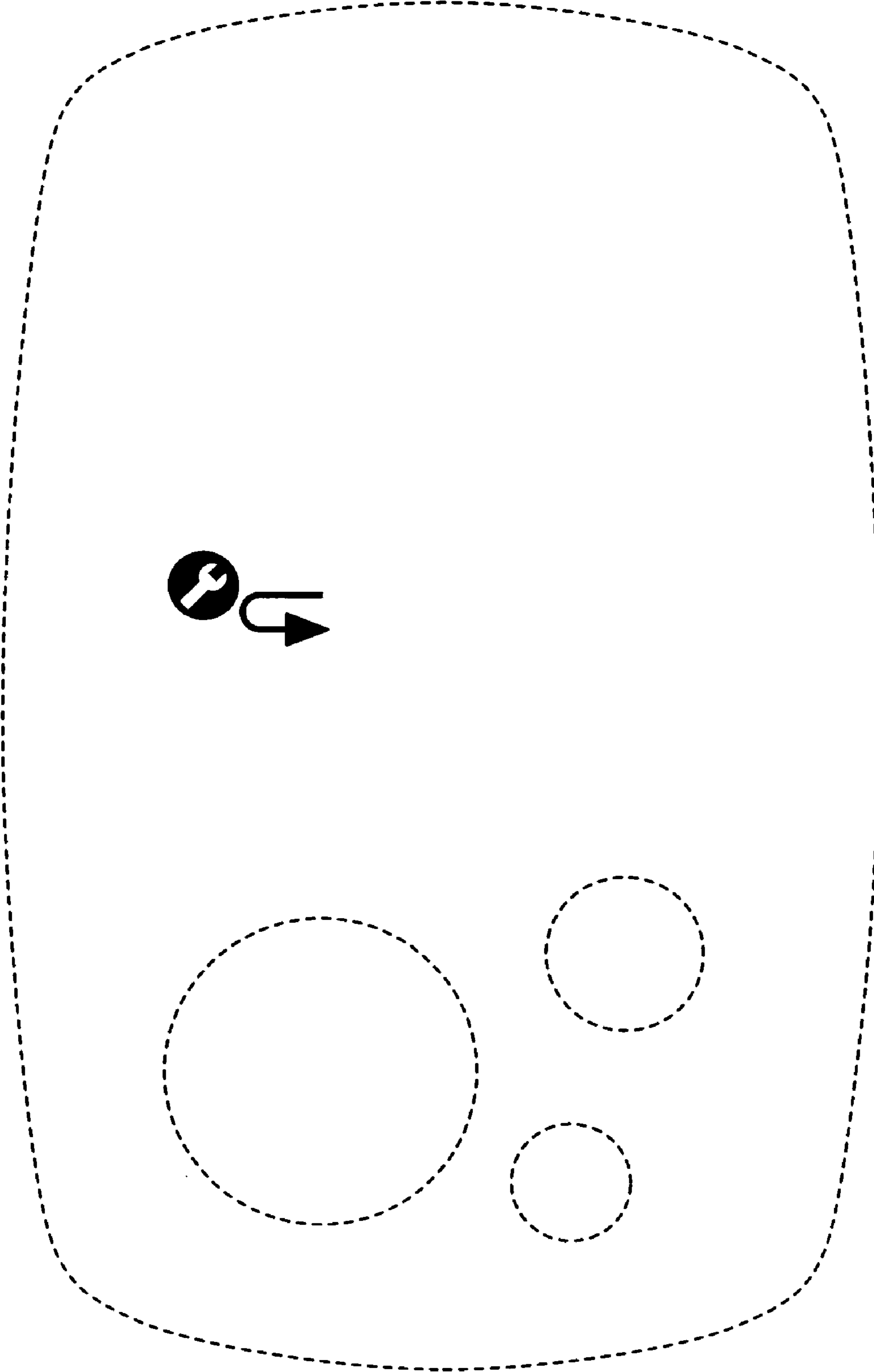


FIG. 7

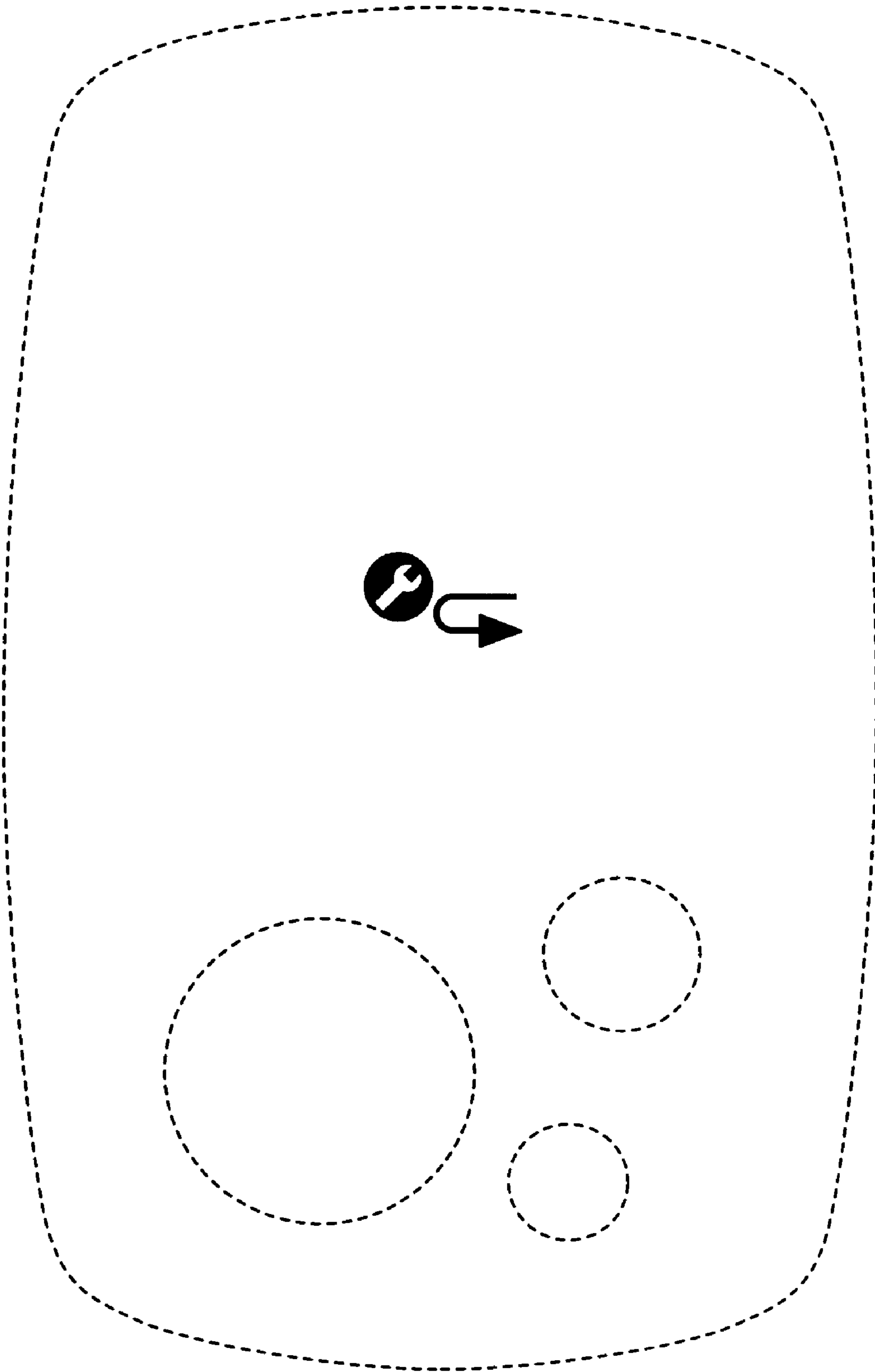


FIG. 8

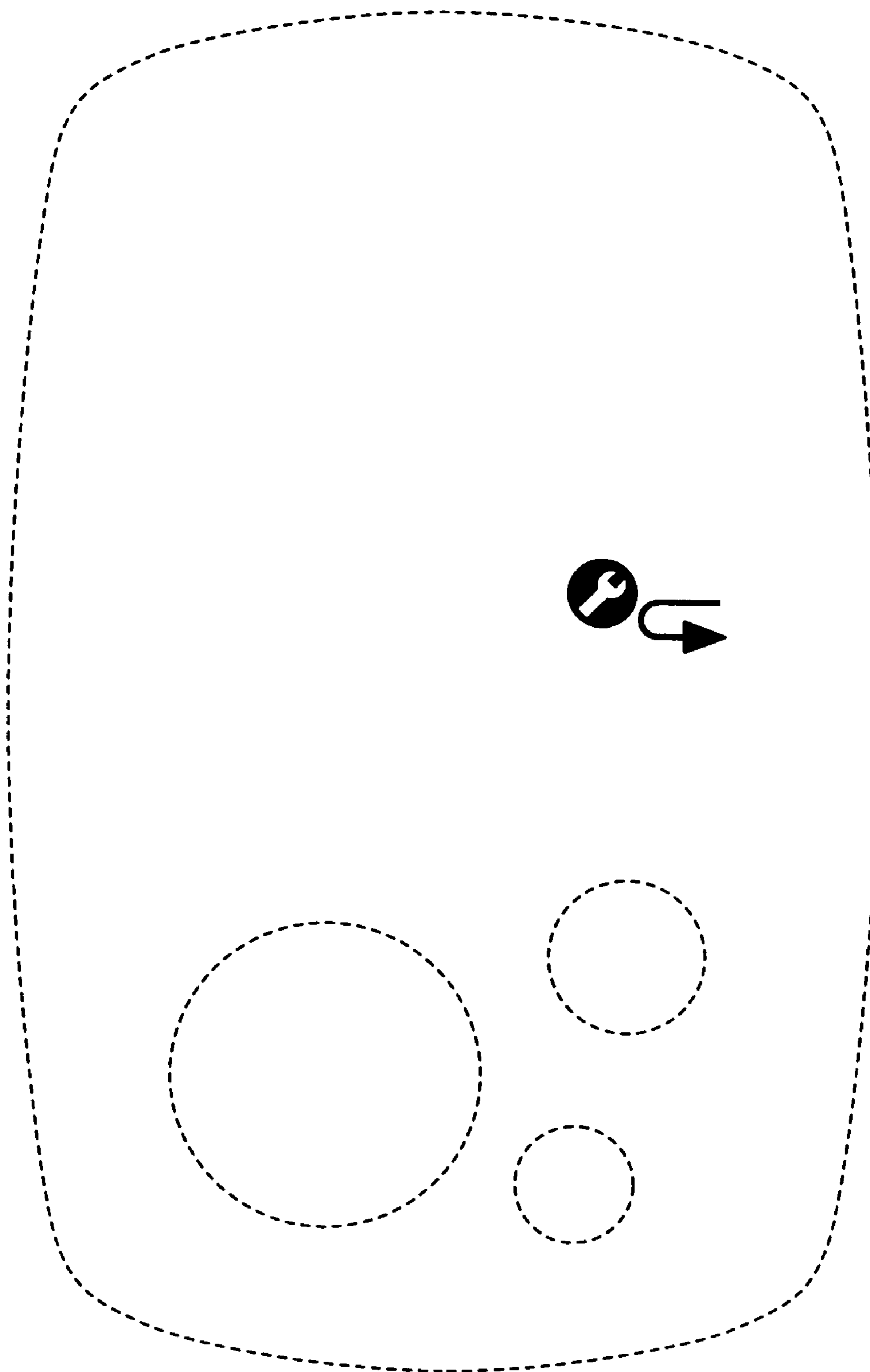


FIG. 9