



US00D550243S

(12) **United States Design Patent**
Niijima

(10) **Patent No.:** **US D550,243 S**

(45) **Date of Patent:** **** Sep. 4, 2007**

(54) **COMPUTER GENERATED IMAGE FOR A DISPLAY PANEL OR SCREEN**

FOREIGN PATENT DOCUMENTS

EM 000415286-0009 * 11/2005

(75) Inventor: **Makoto Niijima**, Tokyo (JP)

OTHER PUBLICATIONS

(73) Assignee: **Sony Corporation**, Tokyo (JP)

Design Elements 2, by Richard Hora and Mies Hora, Art Direction Book Company, New York, NY, © 1981, p. 23.*

(**) Term: **14 Years**

* cited by examiner

(21) Appl. No.: **29/242,408**

Primary Examiner—Robin Webster

(22) Filed: **Nov. 10, 2005**

Assistant Examiner—Karen E. Kearney

(51) **LOC (8) Cl.** **14-04**

(74) *Attorney, Agent, or Firm*—Rader, Fishman & Grauer PLLC

(52) **U.S. Cl.** **D14/491**

(57) **CLAIM**

(58) **Field of Classification Search** D14/485–95;
D18/24–33; D19/6; D20/11; 715/700–867,
715/973–7

The ornamental design for a computer generated image for a display panel or screen, as shown and described.

See application file for complete search history.

DESCRIPTION

(56) **References Cited**

U.S. PATENT DOCUMENTS

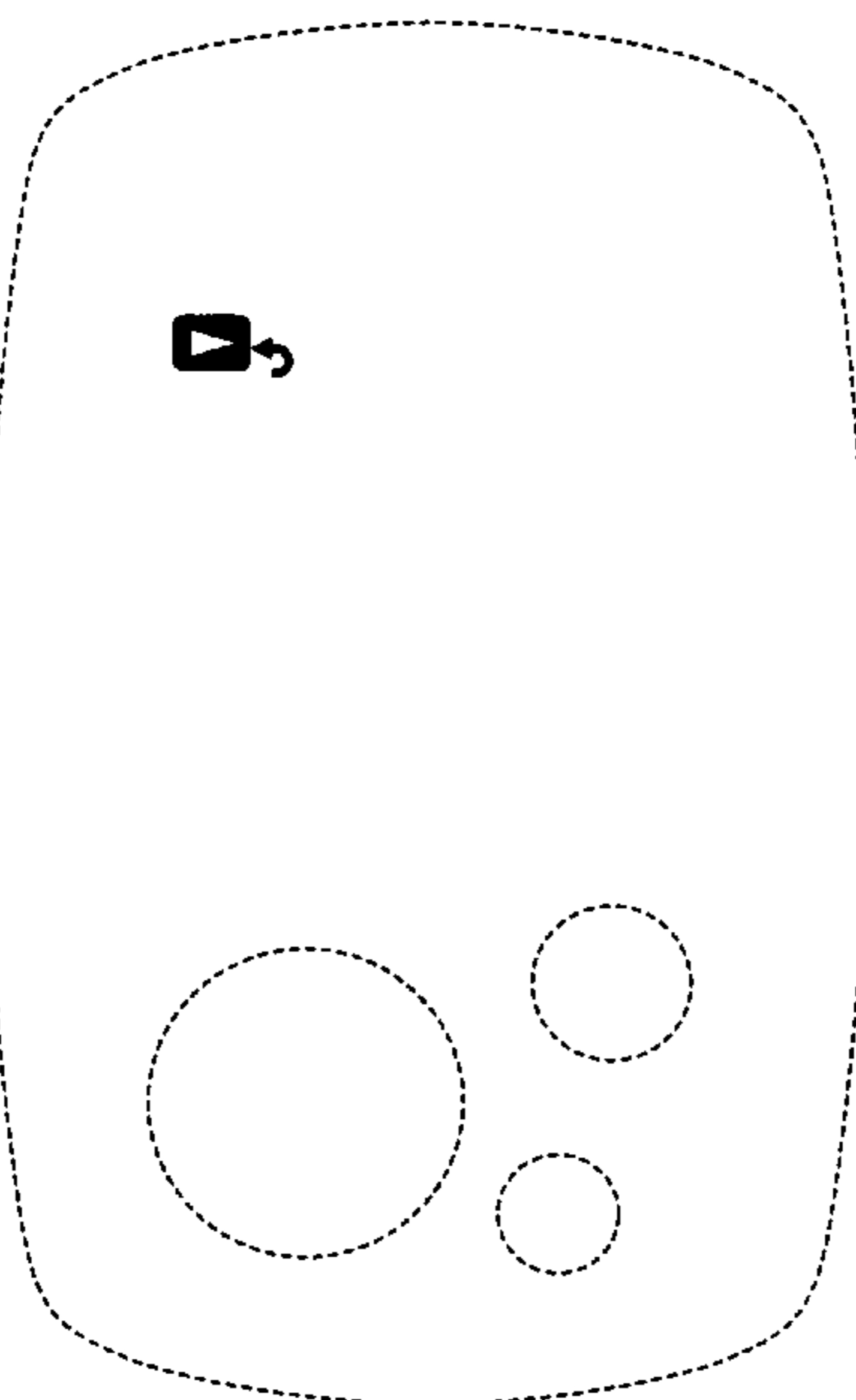
D391,558 S *	3/1998	Marshall et al.	D14/486
5,963,204 A *	10/1999	Ikeda et al.	715/723
D424,041 S	5/2000	Tambata		
D444,794 S	7/2001	Nashida et al.		
6,333,752 B1 *	12/2001	Hasegawa et al.	715/764
D453,167 S	1/2002	Hasegawa et al.		
6,629,003 B1 *	9/2003	Frizzell et al.	700/97
6,839,411 B1 *	1/2005	Saltanov et al.	379/88.13
6,839,705 B1 *	1/2005	Grooters	707/4
D523,868 S *	6/2006	Kuroda	D14/485
2002/0109712 A1 *	8/2002	Yacovone et al.	345/732
2003/0103069 A1 *	6/2003	Lie et al.	345/700
2003/0164847 A1 *	9/2003	Zaima et al.	345/723
2003/0231197 A1 *	12/2003	Janevski	345/702
2005/0132293 A1 *	6/2005	Herberger et al.	715/723
2005/0235209 A1 *	10/2005	Morita et al.	715/716

FIG. 1 is a front elevational view of a computer generated image for a display panel or screen showing my new design; FIG. 2 is a front elevational view of a second image thereof; FIG. 3 is a front elevational view of a third image thereof; FIG. 4 is a front elevational view of a fourth image thereof; FIG. 5 is a front elevational view of a fifth image thereof; FIG. 6 is a front elevational view of a sixth image thereof; FIG. 7 is a front elevational view of a seventh image thereof; FIG. 8 is a front elevational view of an eighth image thereof; and,

FIG. 9 is a front elevational view of a ninth image thereof.

The broken line showing of a portion of a display panel or screen is for illustrating environmental structure and forms no part of the claimed design.

1 Claim, 9 Drawing Sheets



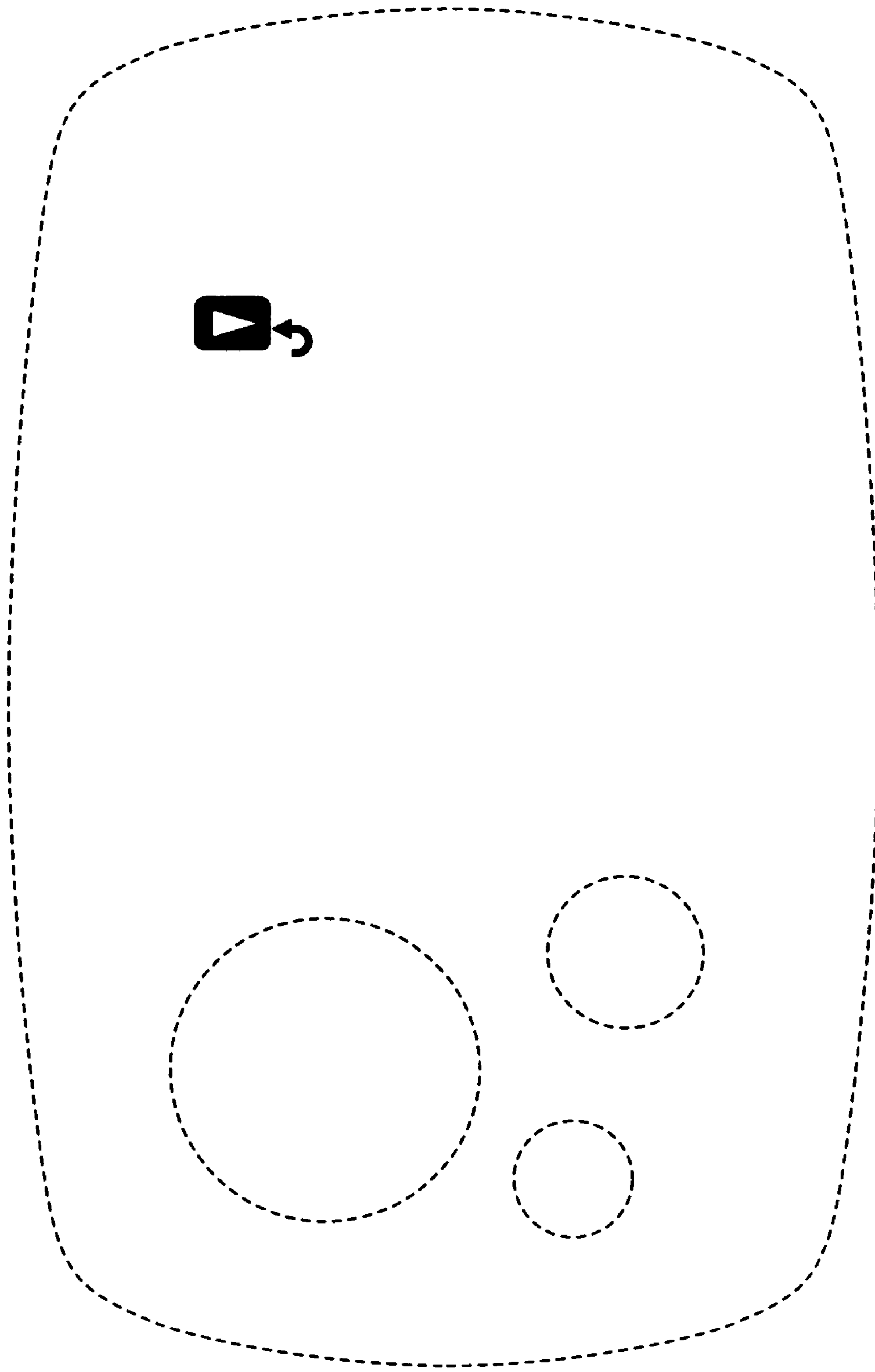


FIG. 1

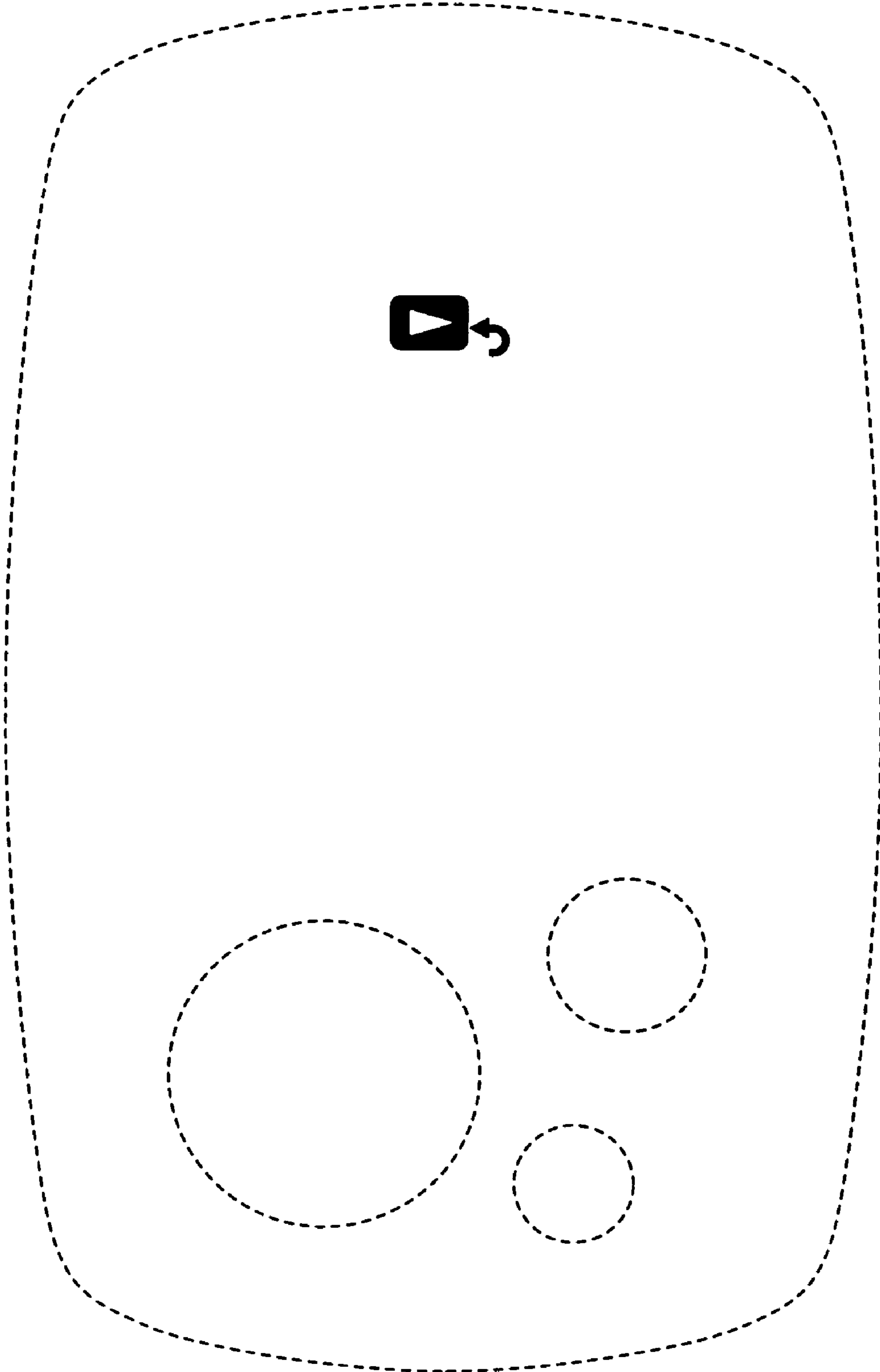


FIG. 2

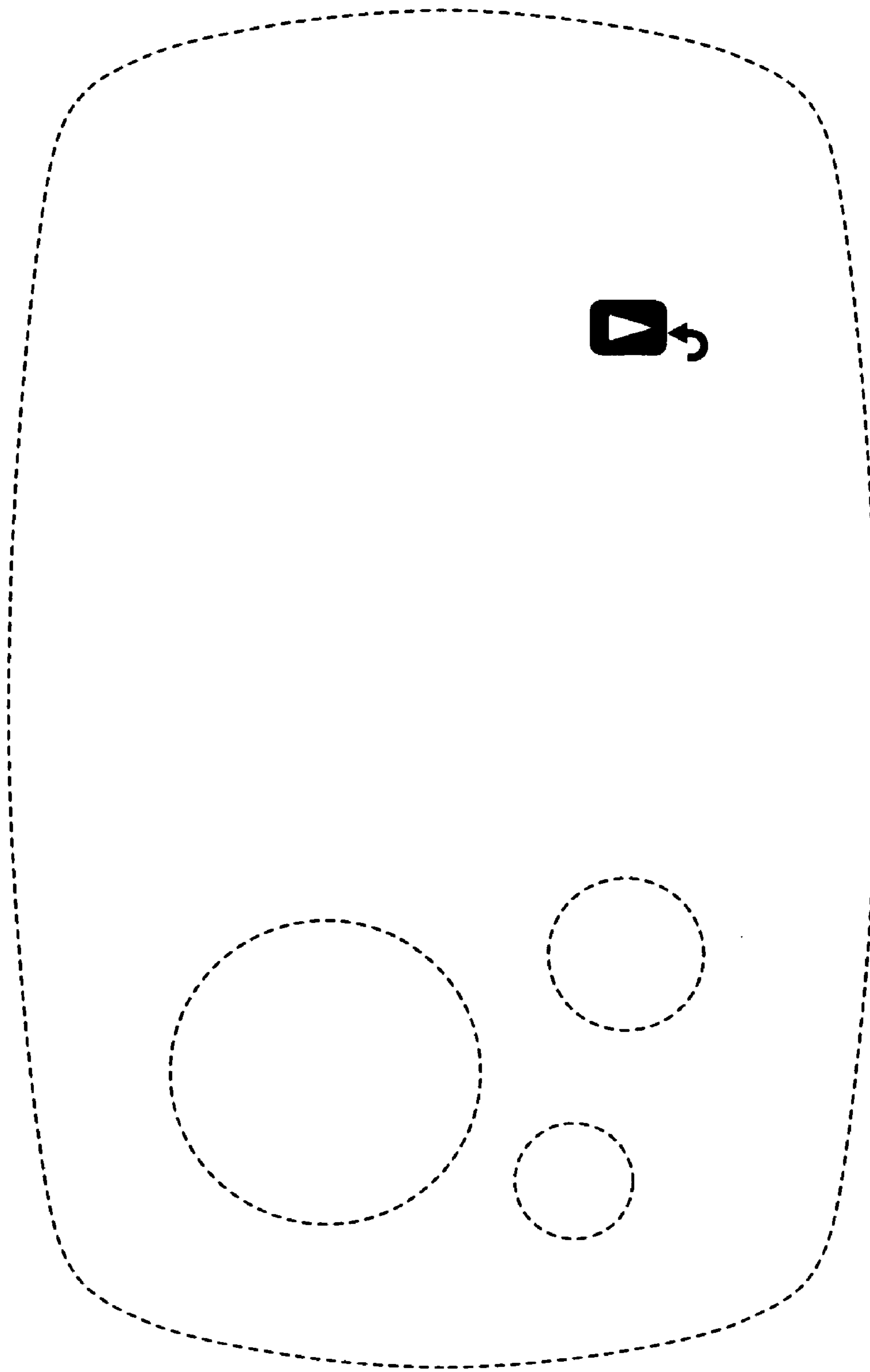


FIG. 3

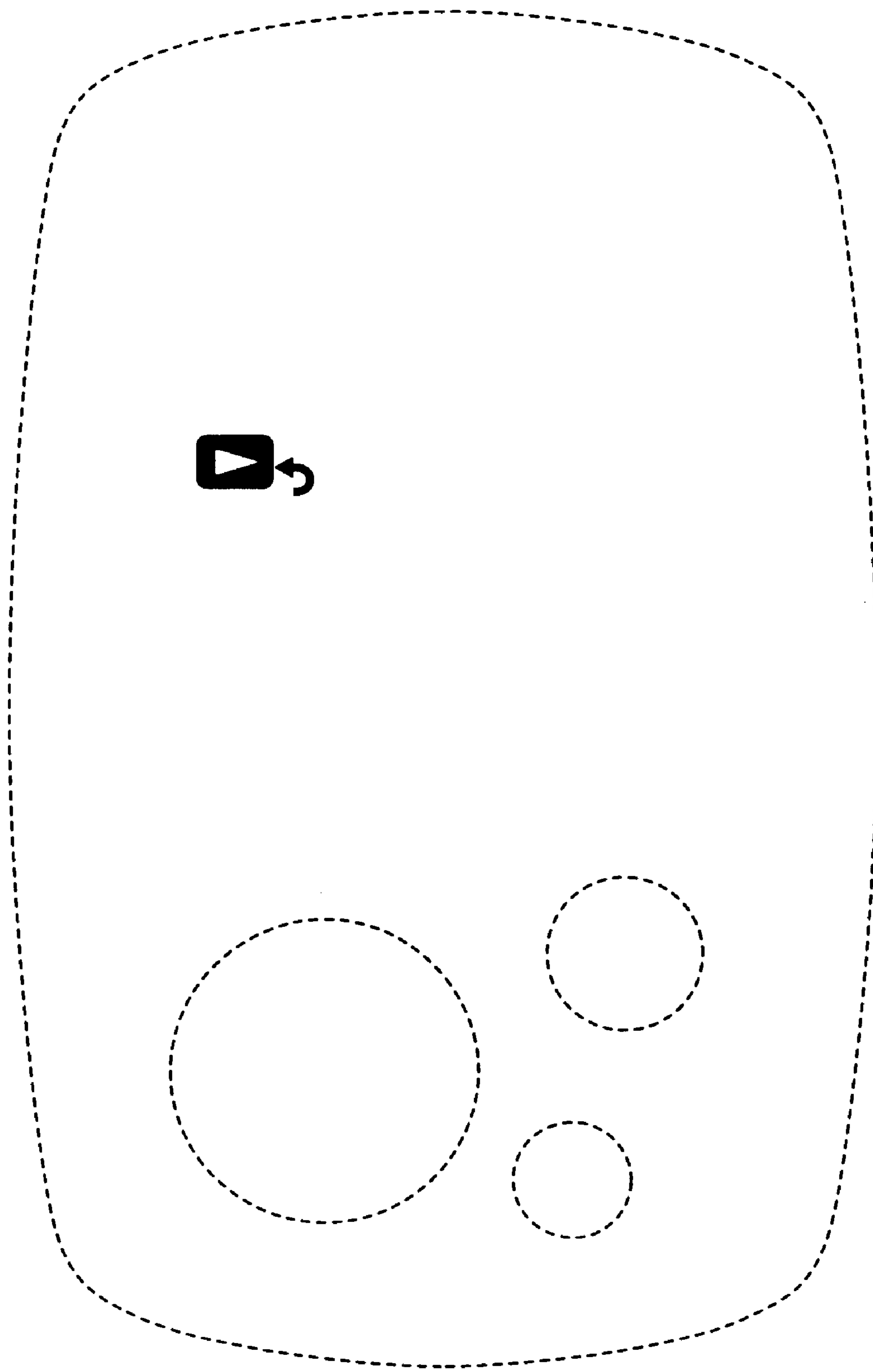


FIG. 4

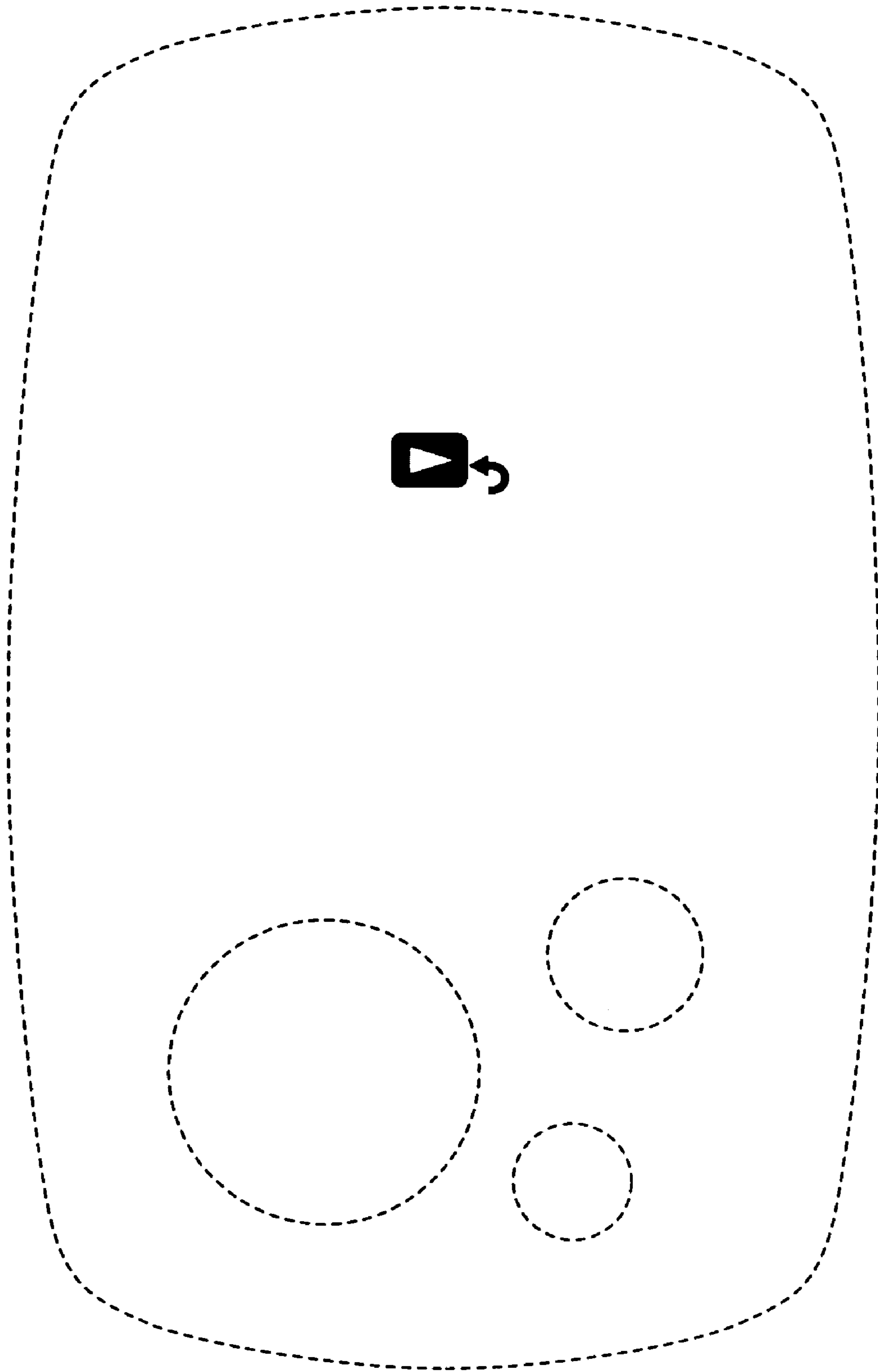


FIG. 5

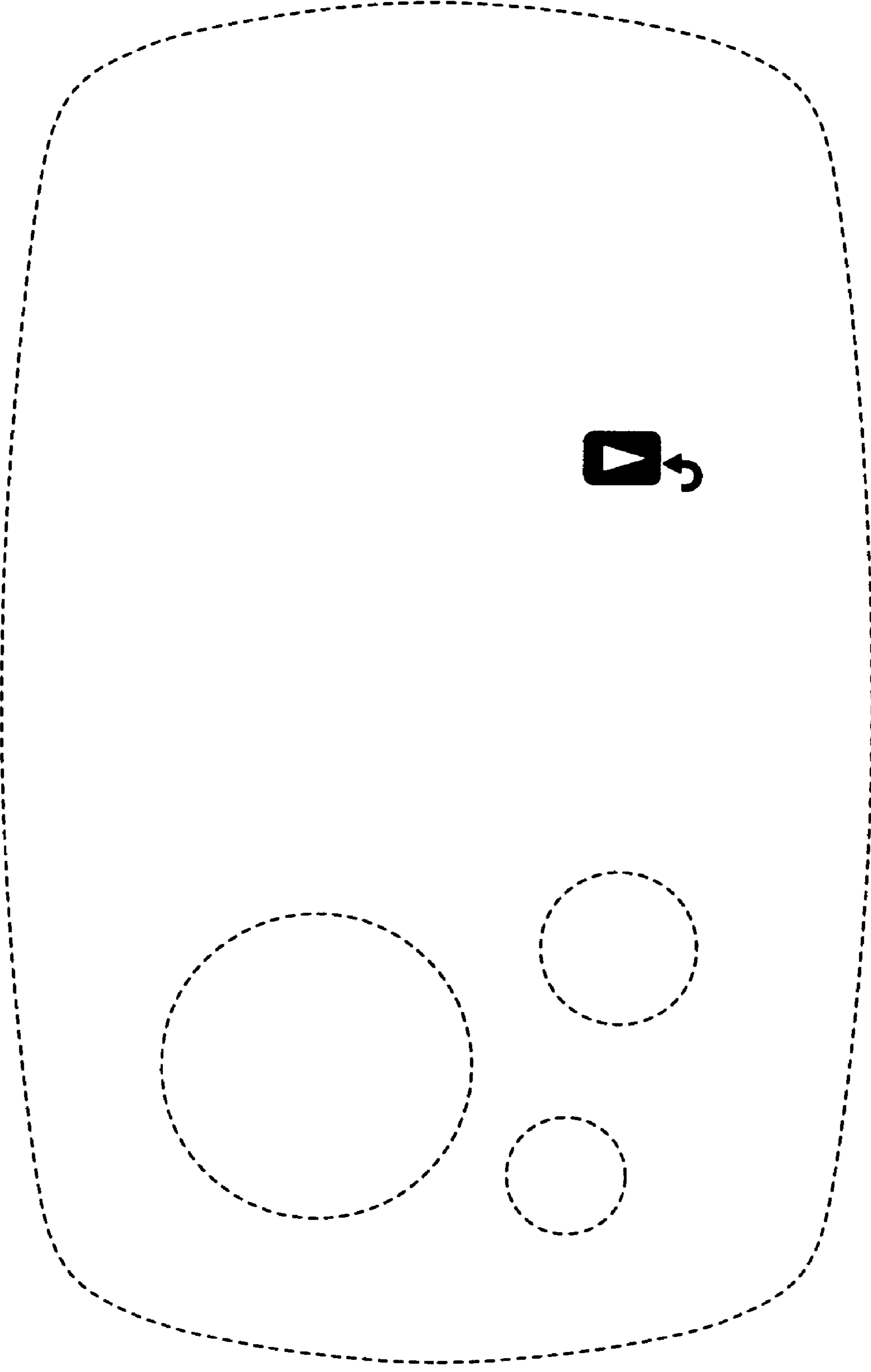


FIG. 6

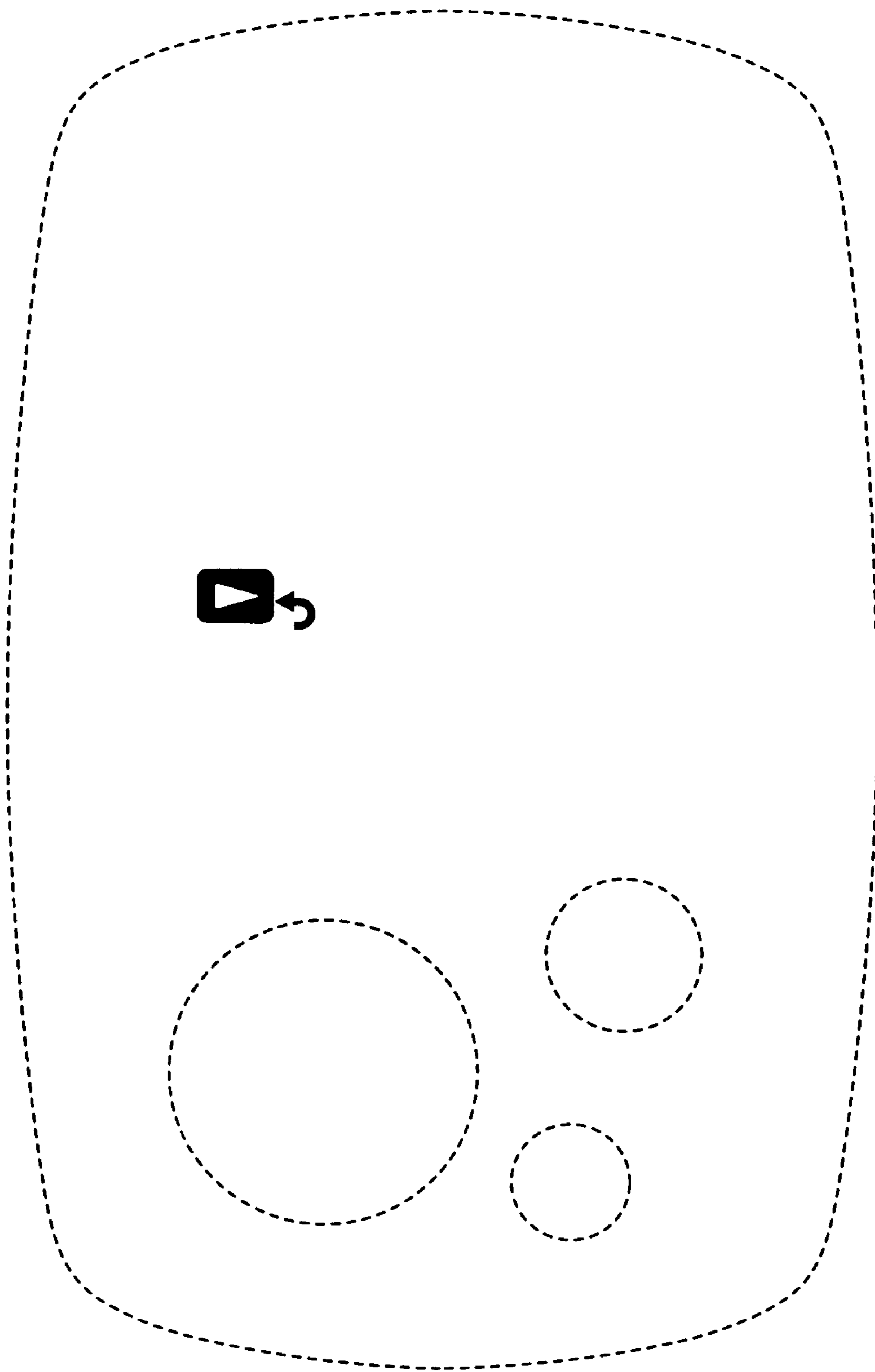


FIG. 7

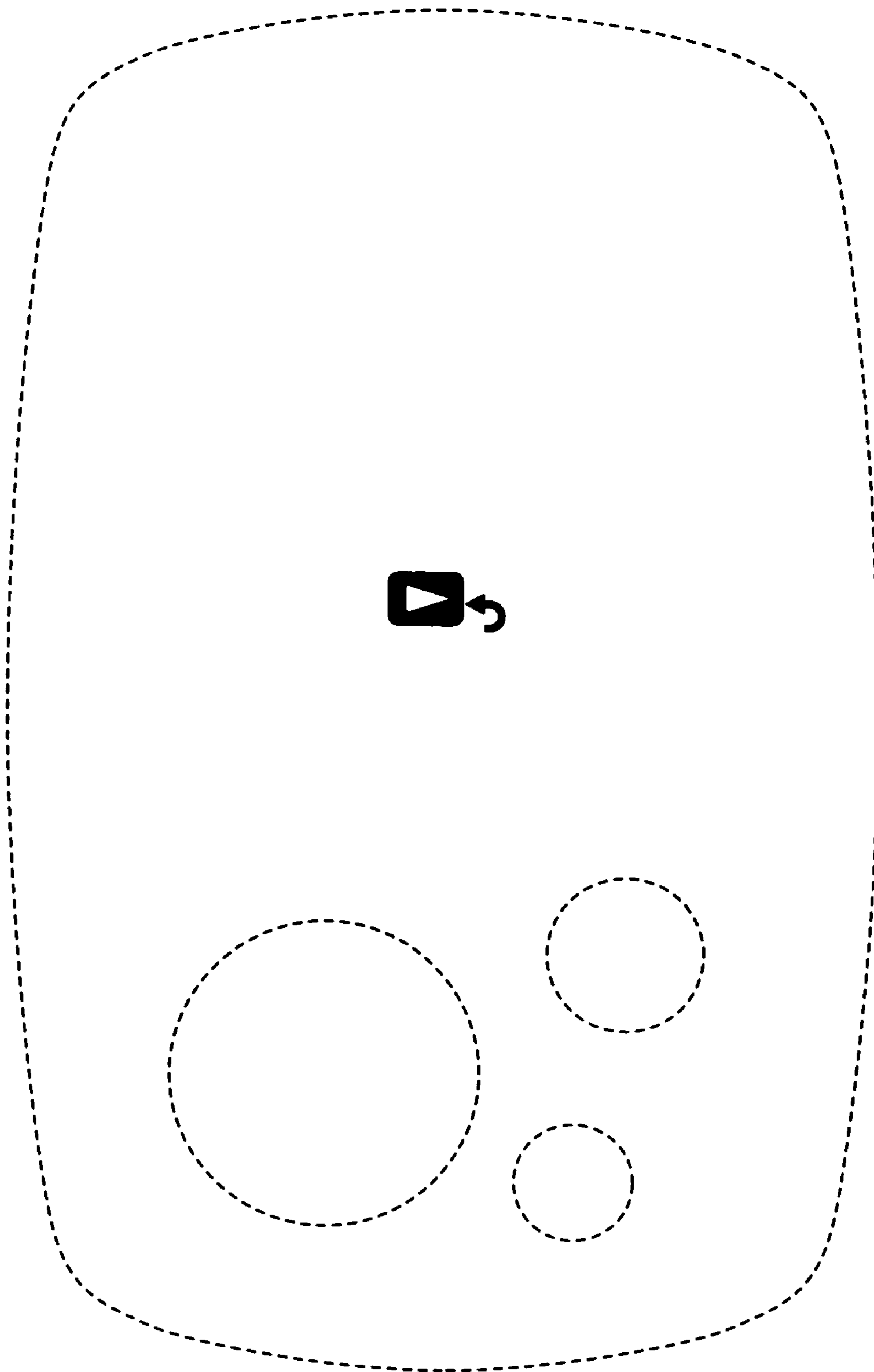


FIG. 8

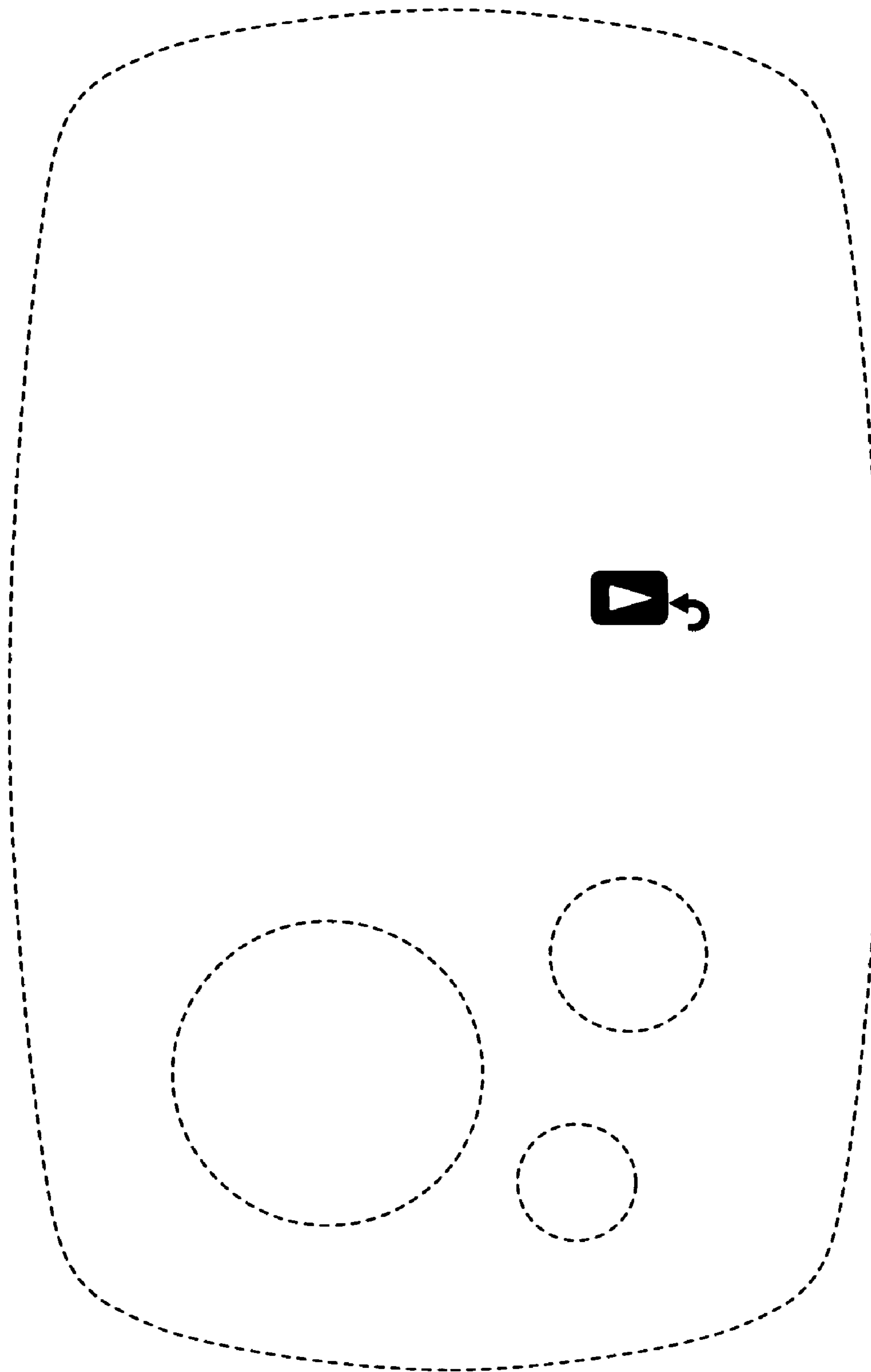


FIG. 9