



US00D550224S

(12) **United States Design Patent** (10) **Patent No.:** **US D550,224 S**
Sim (45) **Date of Patent:** **** Sep. 4, 2007**

(54) **REPLACEABLE MOUSE COVER**
(75) Inventor: **Li Ern Ernest Sim**, Singapore (SG)
(73) Assignee: **Creative Technology Ltd**, Singapore (SG)
(**) Term: **14 Years**
(21) Appl. No.: **29/263,277**
(22) Filed: **Jul. 19, 2006**

(51) **LOC (8) Cl.** **14-02**
(52) **U.S. Cl.** **D14/454**
(58) **Field of Classification Search** D14/125,
D14/188, 17-8, 225, 228, 230-1, 299, 317,
D14/325, 329-30, 356-358, 388-9, 397-398,
D14/402-409, 411-7, 432-3, 439, 443, 453-4,
D14/483-484, 496, 217-218; D16/202,
D16/219; D21/333; 345/156, 161, 163-7;
348/373, 375-6; 358/909.1; 396/419, 420,
396/425, 535
See application file for complete search history.

(56) **References Cited**

U.S. PATENT DOCUMENTS

D372,906 S * 8/1996 Kawauchi et al. D14/402
5,847,696 A * 12/1998 Itoh et al. 345/163
D420,992 S * 2/2000 Hu D14/454
D436,961 S * 1/2001 Ledbetter et al. D14/402
6,225,981 B1 * 5/2001 Lu 345/164
6,411,281 B1 * 6/2002 Sasselli et al. 345/163
D489,724 S * 5/2004 Fisher D14/408
D504,133 S * 4/2005 Canavan et al. D14/402

D505,678 S * 5/2005 Sheehan et al. D14/408
D508,051 S * 8/2005 Li D14/402
2003/0197683 A1 * 10/2003 Huang et al. 345/163
2006/0044270 A1 * 3/2006 Chen 345/163
2006/0152490 A1 * 7/2006 Ho et al. 345/163

* cited by examiner

Primary Examiner—Alan P. Douglas
Assistant Examiner—Angela J. Lee
(74) *Attorney, Agent, or Firm*—P. Francois de Villiers

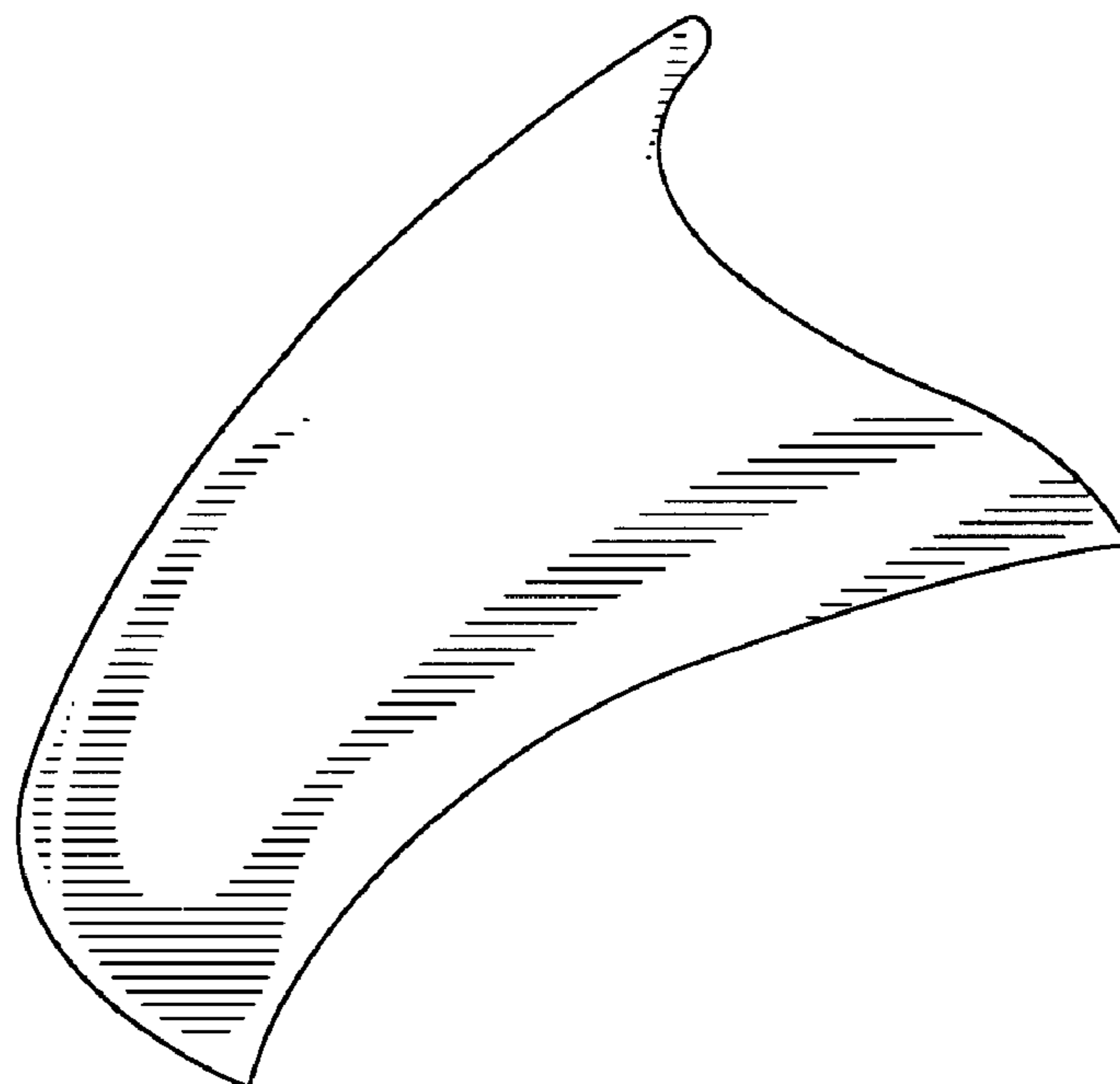
(57) **CLAIM**

The ornamental design for a replaceable mouse cover, as shown and described.

DESCRIPTION

FIG. 1 is a perspective view of a replaceable mouse cover in accordance with the present design;
FIG. 2 is a top view of the replaceable mouse cover shown in FIG. 1;
FIG. 3 is a front view of the replaceable mouse cover shown in FIG. 1;
FIG. 4 is a bottom view of the replaceable mouse cover shown in FIG. 1;
FIG. 5 is a left side view of the replaceable mouse cover shown in FIG. 1;
FIG. 6 is a right side view of the replaceable mouse cover shown in FIG. 1; and,
FIG. 7 is a rear view of the replaceable mouse cover shown in FIG. 1.

1 Claim, 2 Drawing Sheets



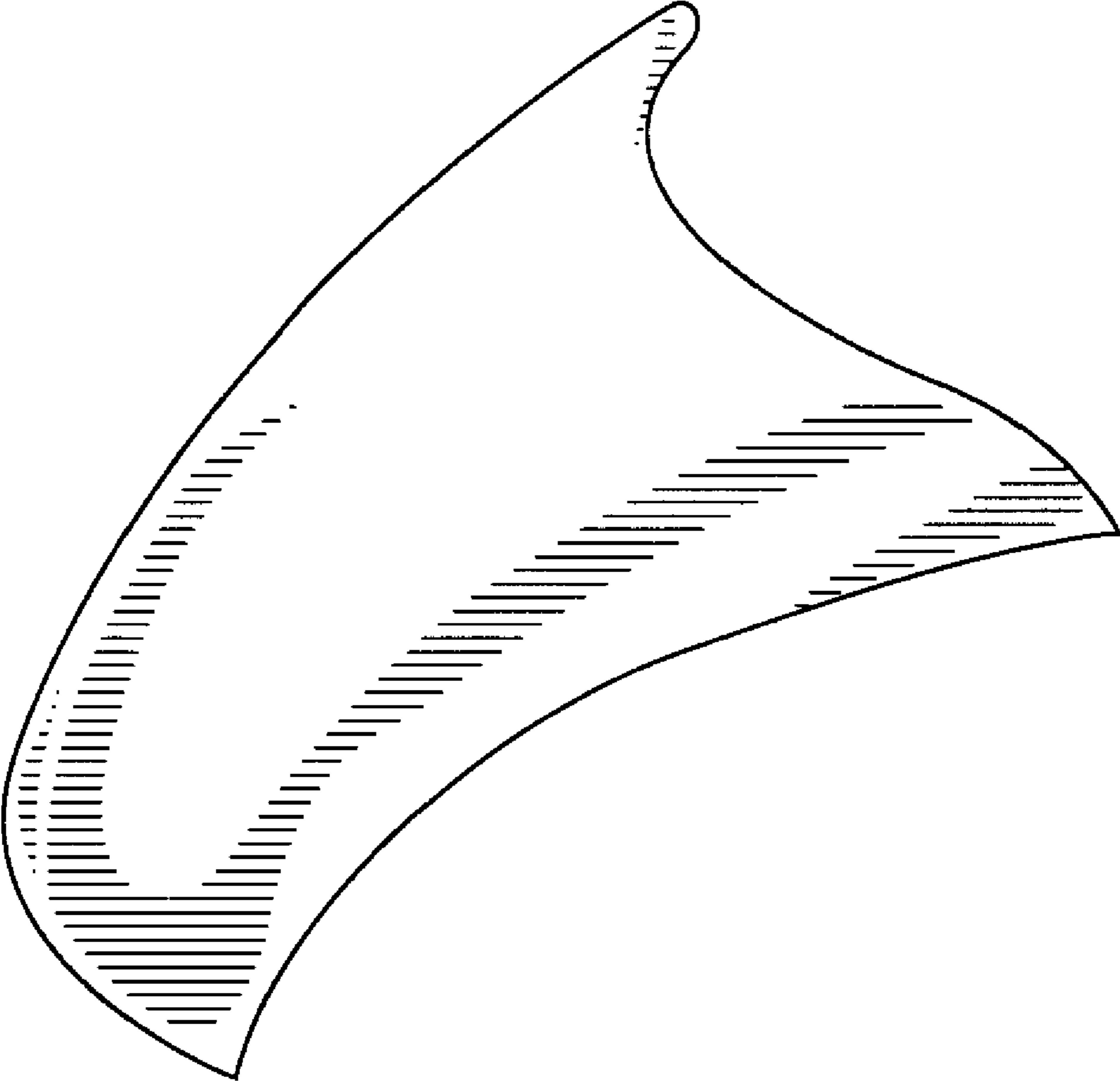


FIG. 1

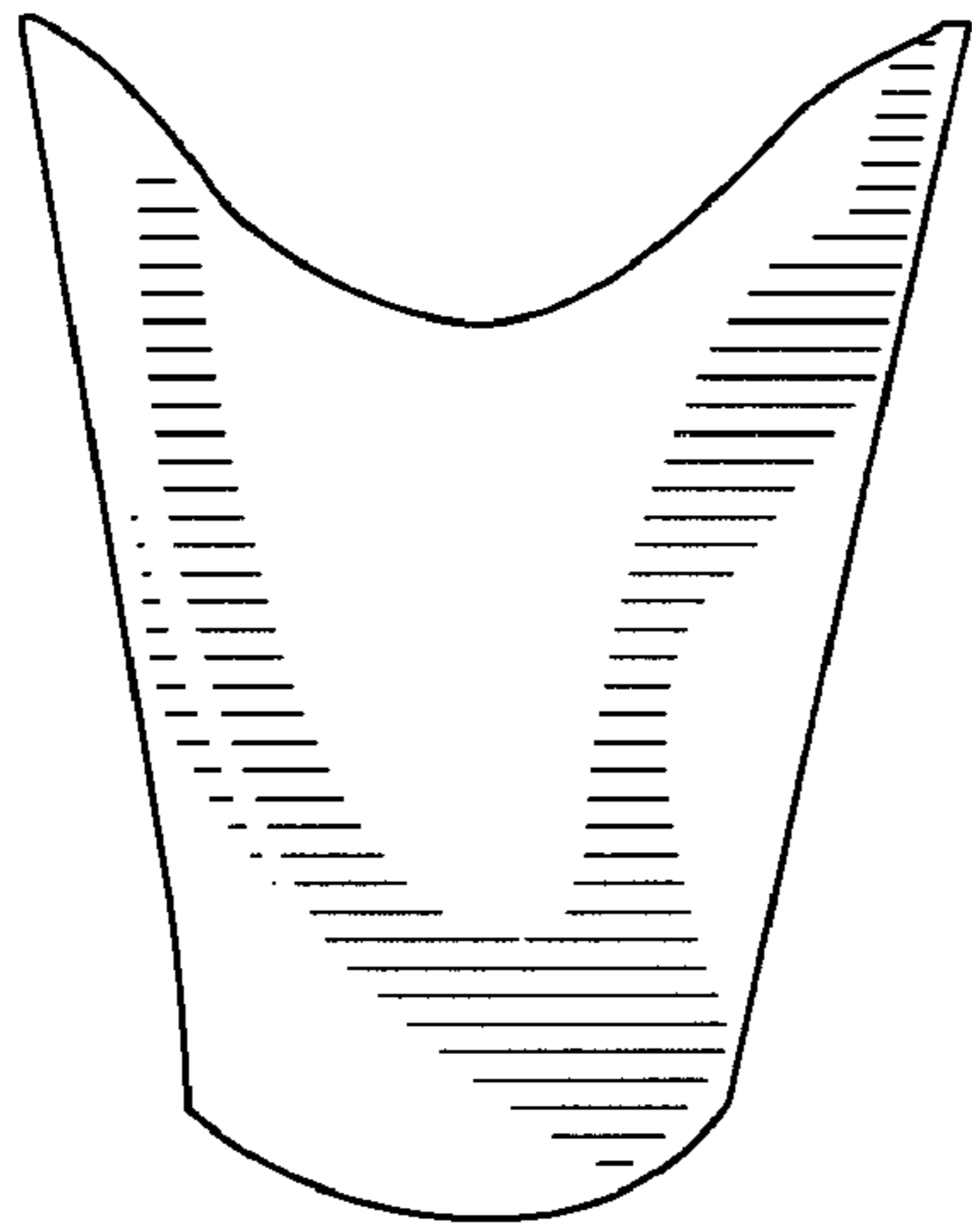


FIG. 2

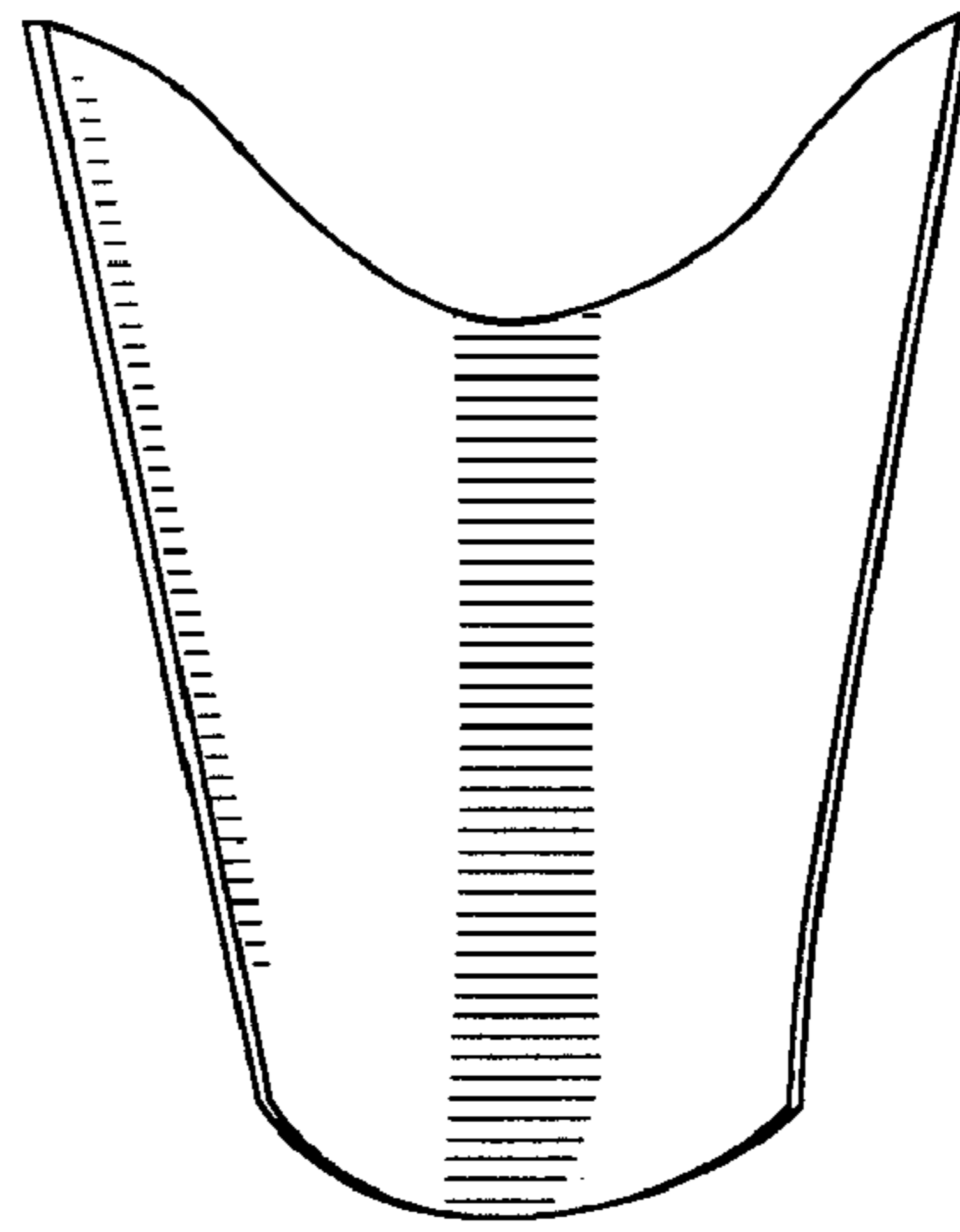


FIG. 4

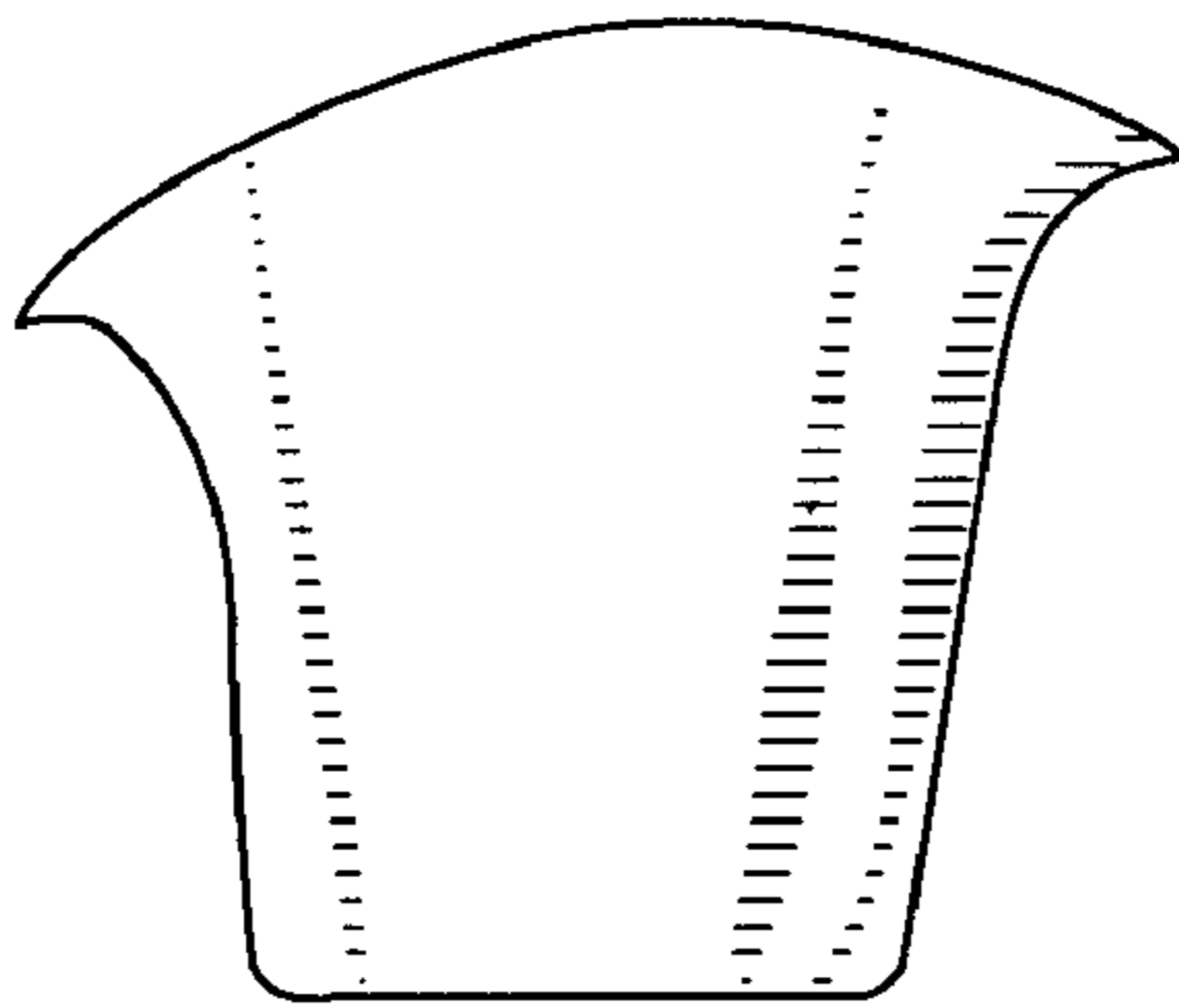


FIG. 7

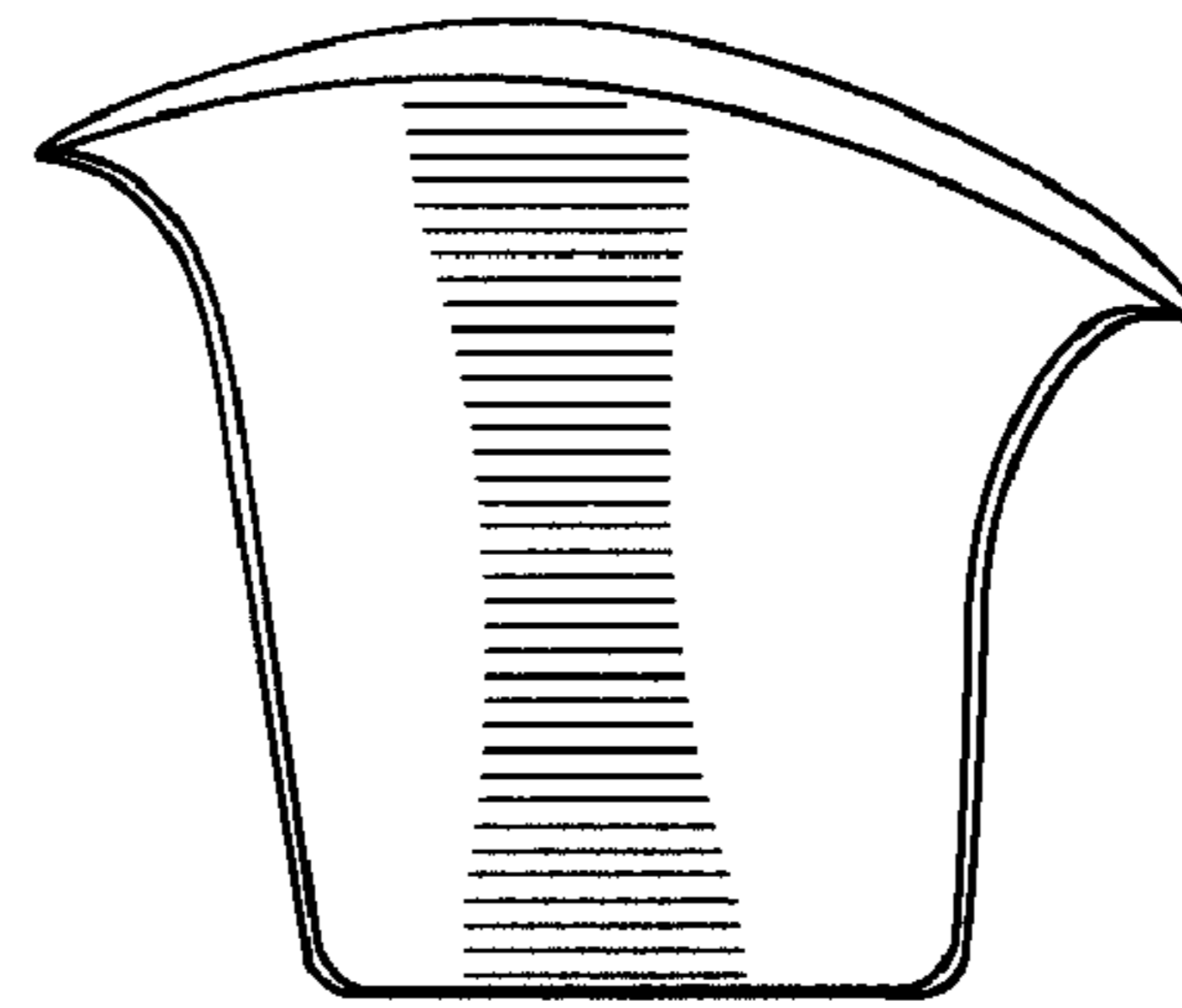


FIG. 3

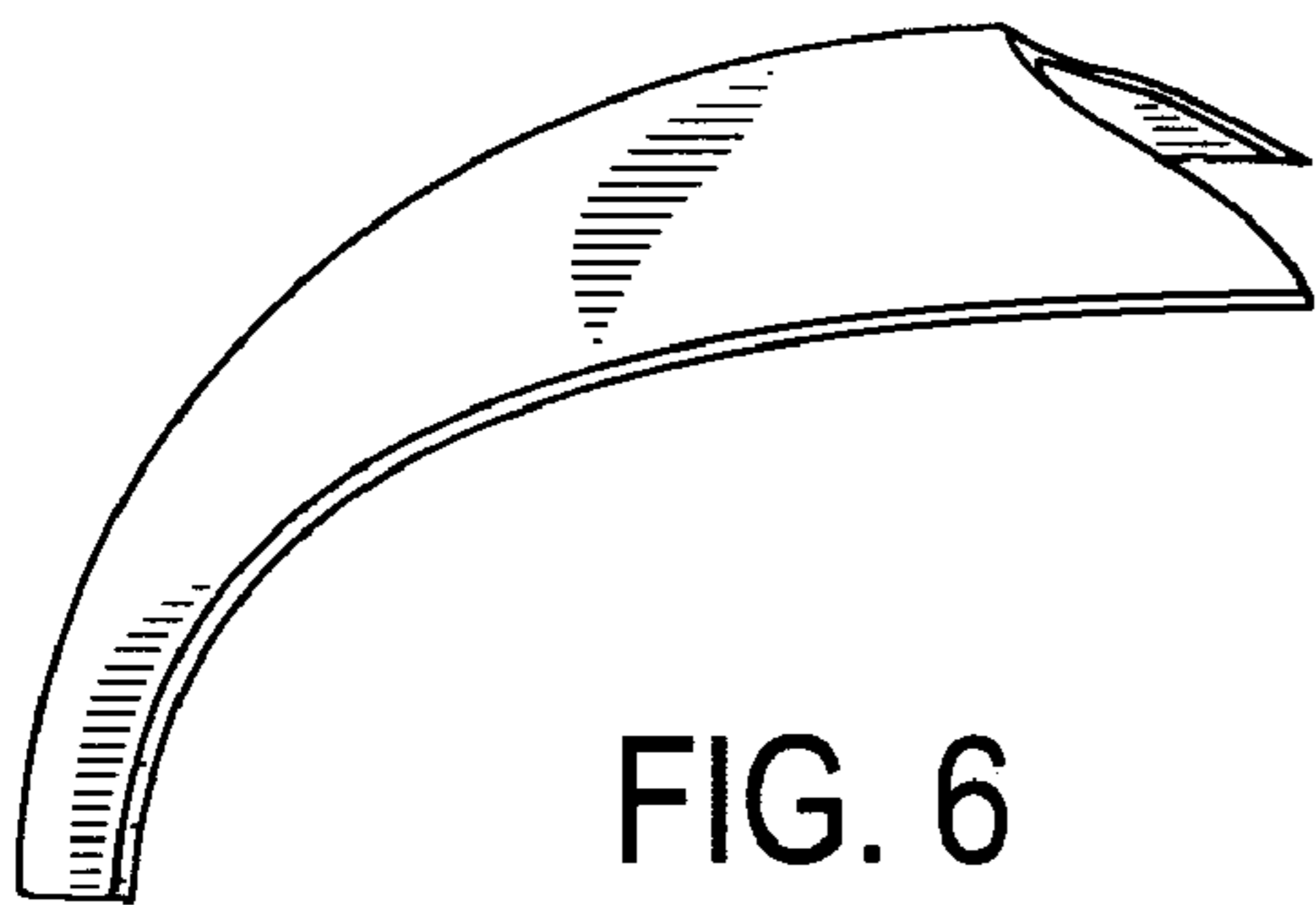


FIG. 6

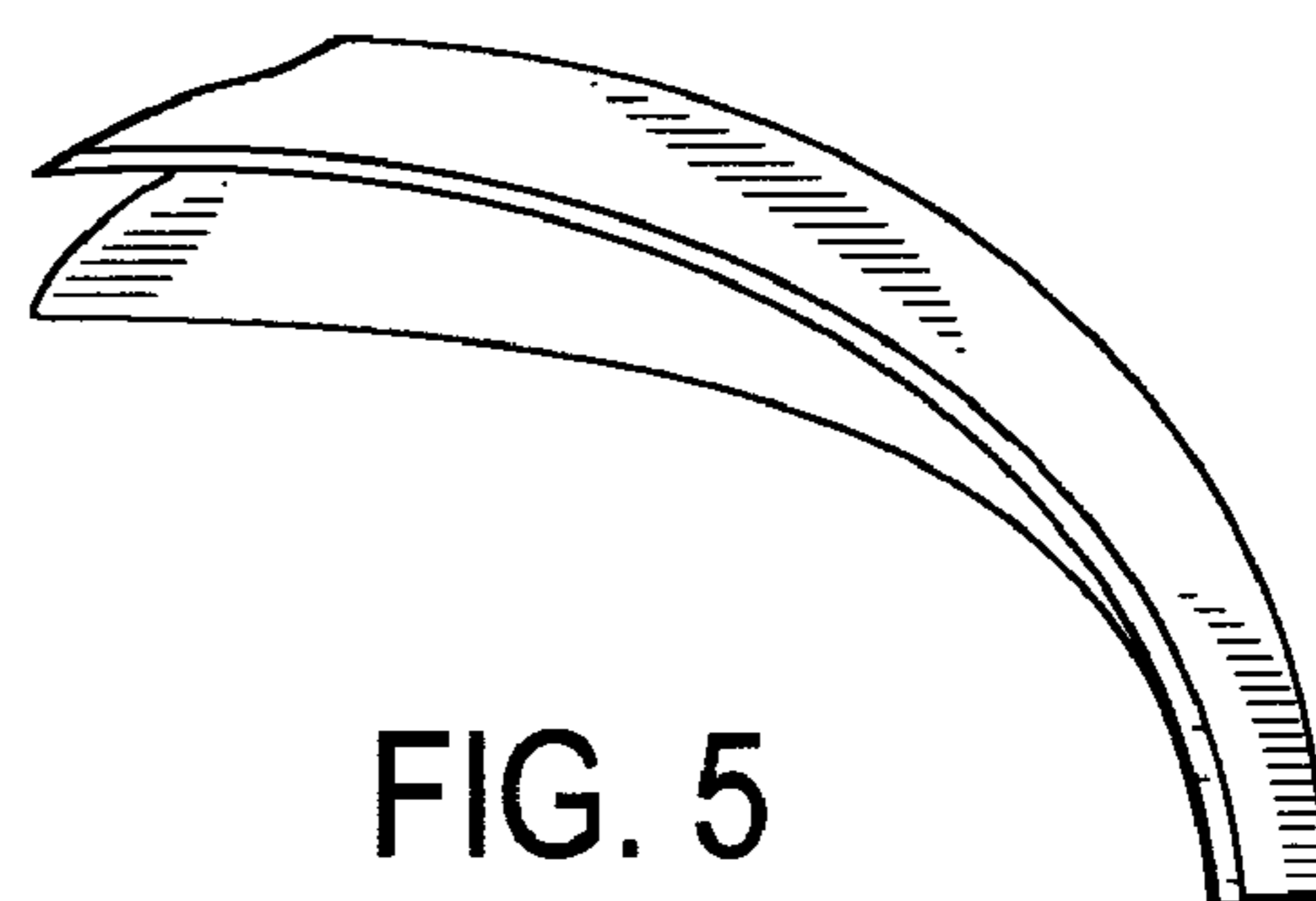


FIG. 5