



US00D550217S

(12) **United States Design Patent**
Schneider

(10) **Patent No.:** **US D550,217 S**

(45) **Date of Patent:** **** Sep. 4, 2007**

(54) **ANTENNA**

5,467,477 A * 11/1995 Furuta et al. 455/348
5,486,839 A 1/1996 Rodeffer et al.

(76) **Inventor:** **Richard E. Schneider**, 1511 Windwood Hills Dr., Wildwood, MO (US) 63021

(Continued)

(**) **Term:** **14 Years**

OTHER PUBLICATIONS

(21) **Appl. No.:** **29/237,971**

HDTV^{TM2} SquareShooterTM, Polar Patterns, Winegard Company, 1 page.

(22) **Filed:** **Sep. 8, 2005**

SquareShooterTM HDTV^{TM2}, Design & Engineering Showcase Honors, 1 page.

(51) **LOC (8) Cl.** **14-03**

Instruction Manual, Winegard SquareShooterTM HDTV^{TM2}, 4 pages.

(52) **U.S. Cl.** **D14/230**

HDTV^{TM2} SquareShooterTM Antenna System, Get² Models SS-1000 & SS-2000, 2 pages.

(58) **Field of Classification Search** D14/138, D14/230-238, 299, 358; D12/42, 43; 343/700 R-705, 343/871-908, 795, 840, 711-713, 819, 846; 455/90.2, 90.3, 91, 128, 269, 344, 347, 562.1
See application file for complete search history.

Press Release, Winegard Company Wins CES Innovations Award for the SquareShooterTMSS-1000 High-Band VHF/UHF Digital/Analog/HDTV Antenna System in the 2004 Design and Engineering Showcase, 1 page.

Primary Examiner—Louis S. Zarfaz

Assistant Examiner—John Windmuller

(56) **References Cited**

(74) *Attorney, Agent, or Firm*—Harness, Dickey & Pierce, P.L.C.

U.S. PATENT DOCUMENTS

2,667,317 A *	1/1954	Trebules	248/514
D222,145 S	10/1971	Winegard	
3,771,064 A	11/1973	Hebert, Jr.	
3,869,564 A	3/1975	Colodny	
4,398,201 A	8/1983	Winegard et al.	
4,568,945 A	2/1986	Winegard et al.	
D285,074 S	8/1986	Winegard et al.	
4,606,074 A	8/1986	Rodeffer	
D285,685 S	9/1986	Winegard et al.	
D285,792 S	9/1986	Winegard et al.	
D302,160 S *	7/1989	Egashira	D14/238
4,860,022 A	8/1989	Dobroski	
4,992,799 A *	2/1991	Garay	343/702
D333,470 S *	2/1993	Vong	D14/230
5,262,793 A	11/1993	Sperry	
D342,953 S *	1/1994	Yoder	D14/238
D345,564 S *	3/1994	Kadono et al.	D14/230
5,296,862 A	3/1994	Rodeffer et al.	
5,337,062 A	8/1994	Sherwood et al.	
D355,887 S	2/1995	Rodeffer et al.	
5,402,140 A	3/1995	Rodeffer	
D358,365 S	5/1995	Rodeffer et al.	
5,446,472 A	8/1995	Rodeffer	

(57) **CLAIM**

The ornamental design for an antenna, as shown and described.

DESCRIPTION

FIG. 1 is a perspective view of an antenna showing my new design;

FIG. 2 is a front elevational view thereof;

FIG. 3 is a rear elevational view thereof;

FIG. 4 is a left side elevational view thereof;

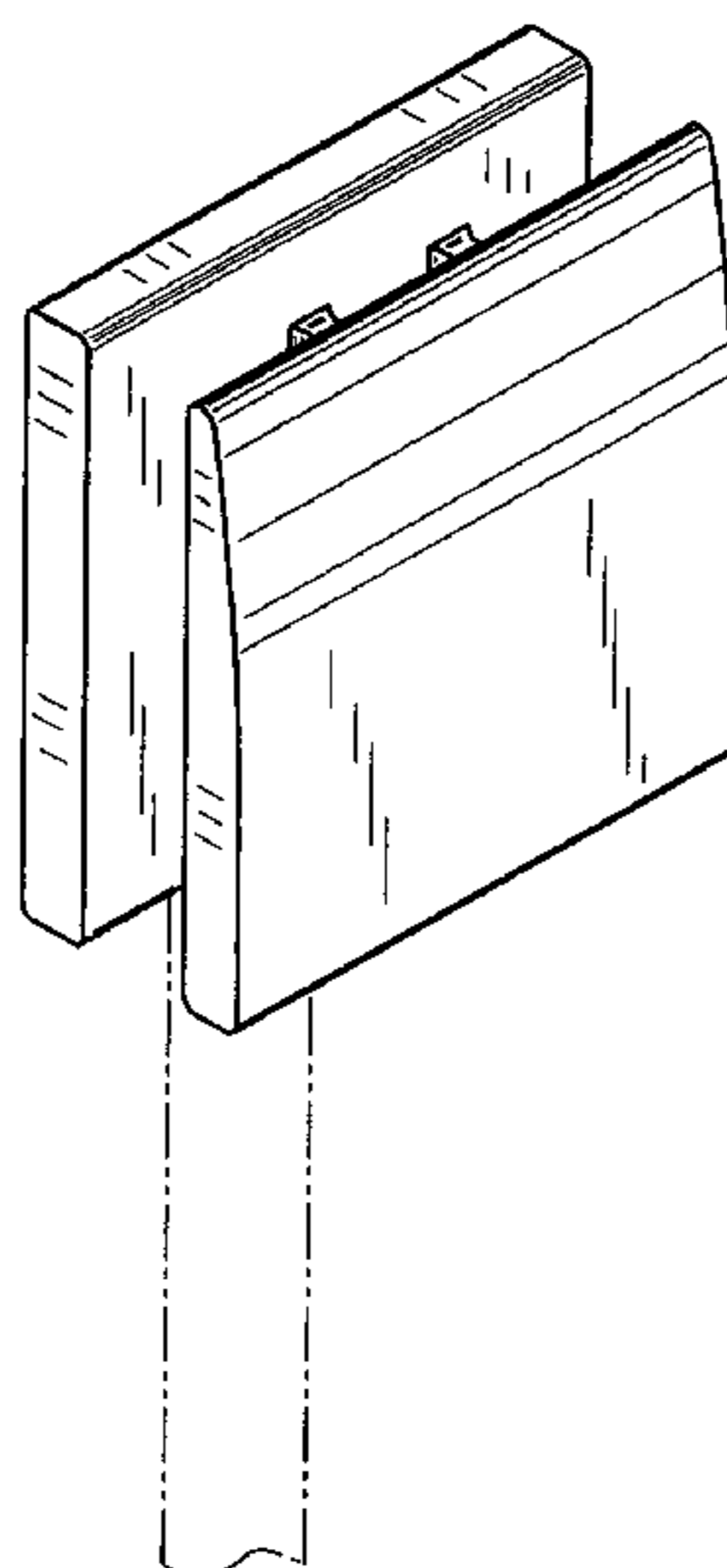
FIG. 5 is a right side elevational view thereof;

FIG. 6 is a top plan view thereof; and,

FIG. 7 is a bottom plan view thereof.

The details shown in broken lines are for illustrative purposes only and form no part of the claimed design.

1 Claim, 1 Drawing Sheet



US D550,217 S

Page 2

U.S. PATENT DOCUMENTS

5,507,025 A	4/1996	Rodeffer	5,945,945 A	8/1999	Wagner et al.
5,515,240 A	5/1996	Rodeffer et al.	6,023,247 A	2/2000	Rodeffer
5,528,250 A	6/1996	Sherwood et al.	6,175,339 B1	1/2001	Macon
5,532,710 A	7/1996	Rodeffer	D500,496 S	1/2005	Sherwood
5,554,998 A	9/1996	Sherwood et al.	6,922,179 B2	7/2005	McCollum
5,585,804 A	12/1996	Rodeffer	2005/0200555 A1	9/2005	McCollum
5,646,638 A	7/1997	Winegard et al.	2006/0132367 A1*	6/2006	Chang et al. 343/702

* cited by examiner

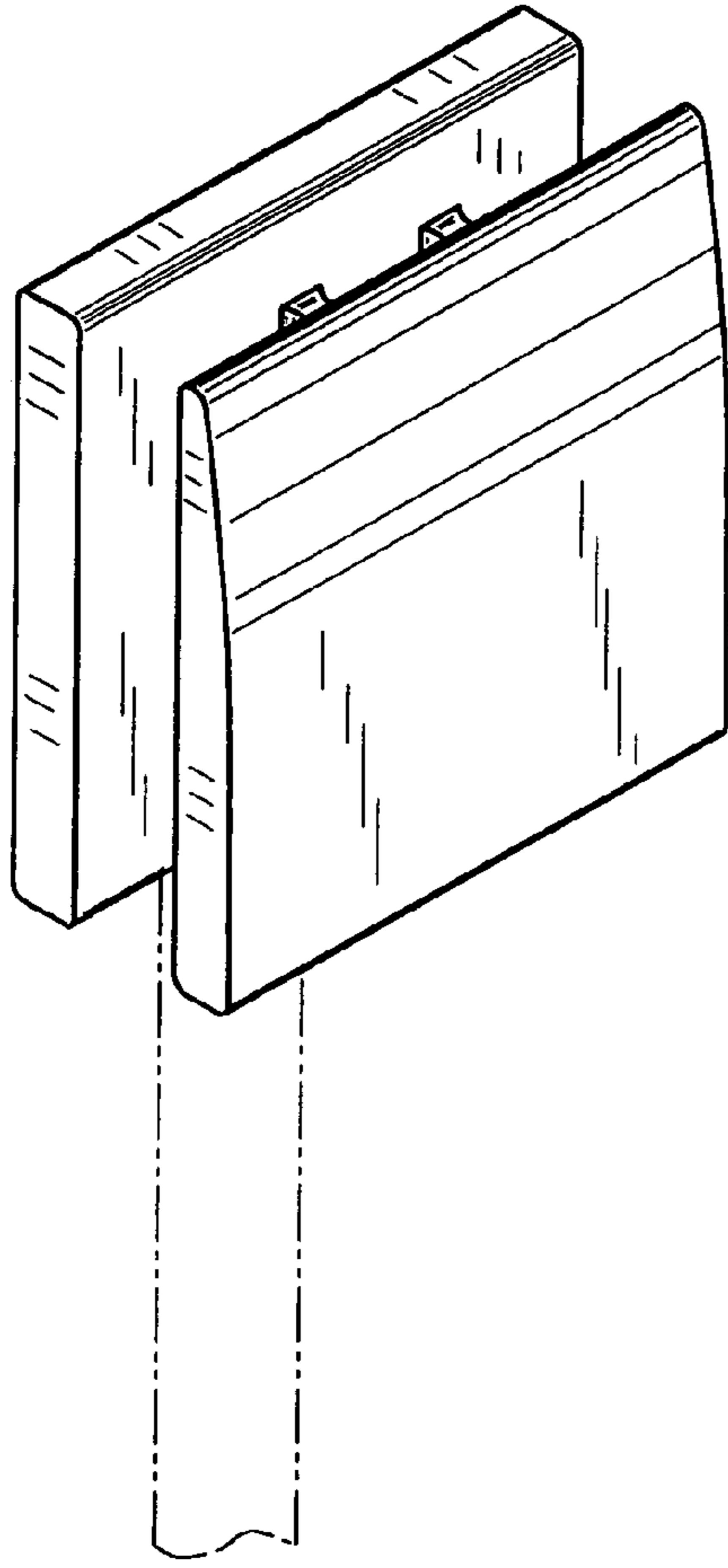


FIG. 1

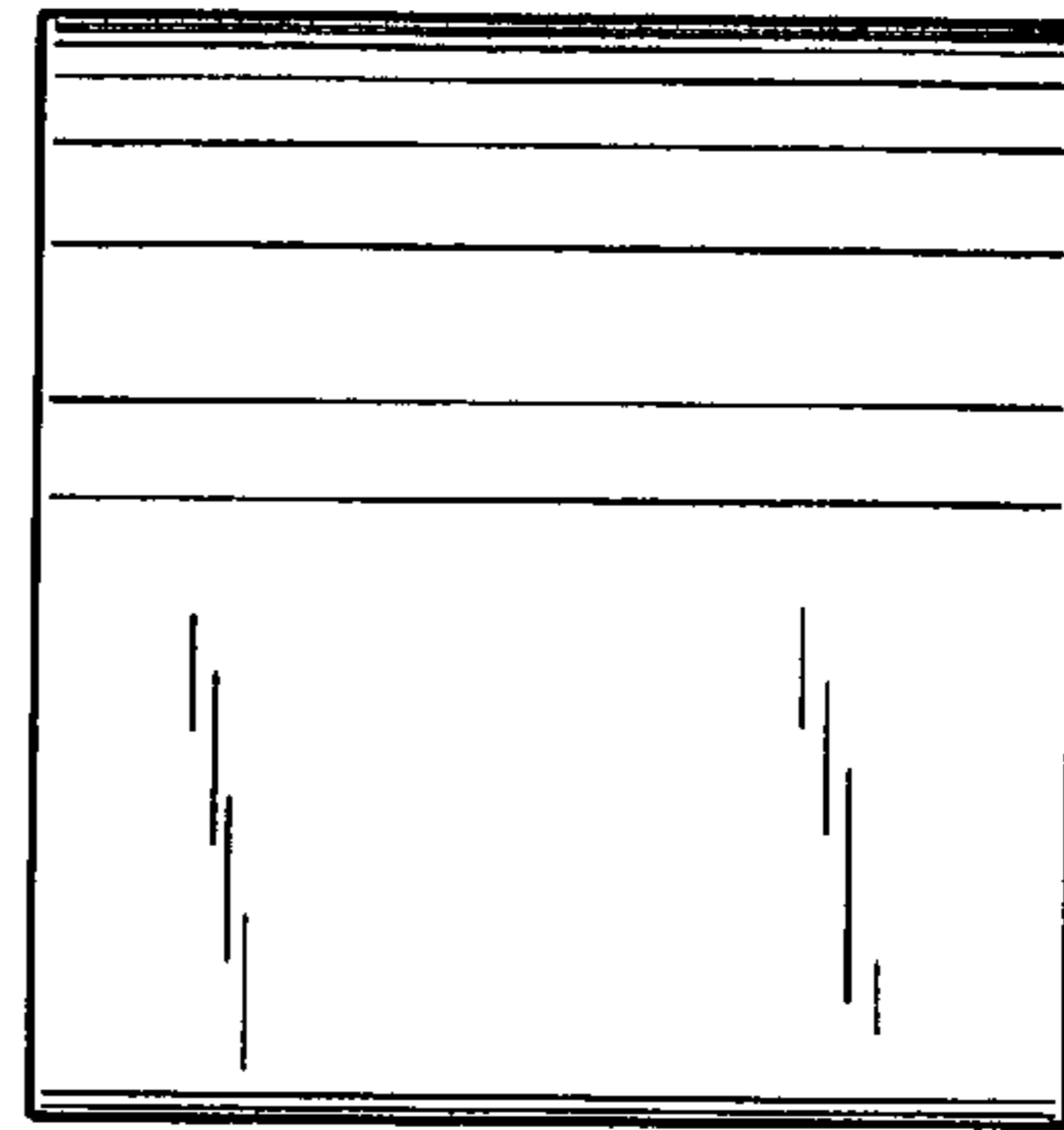


FIG. 2

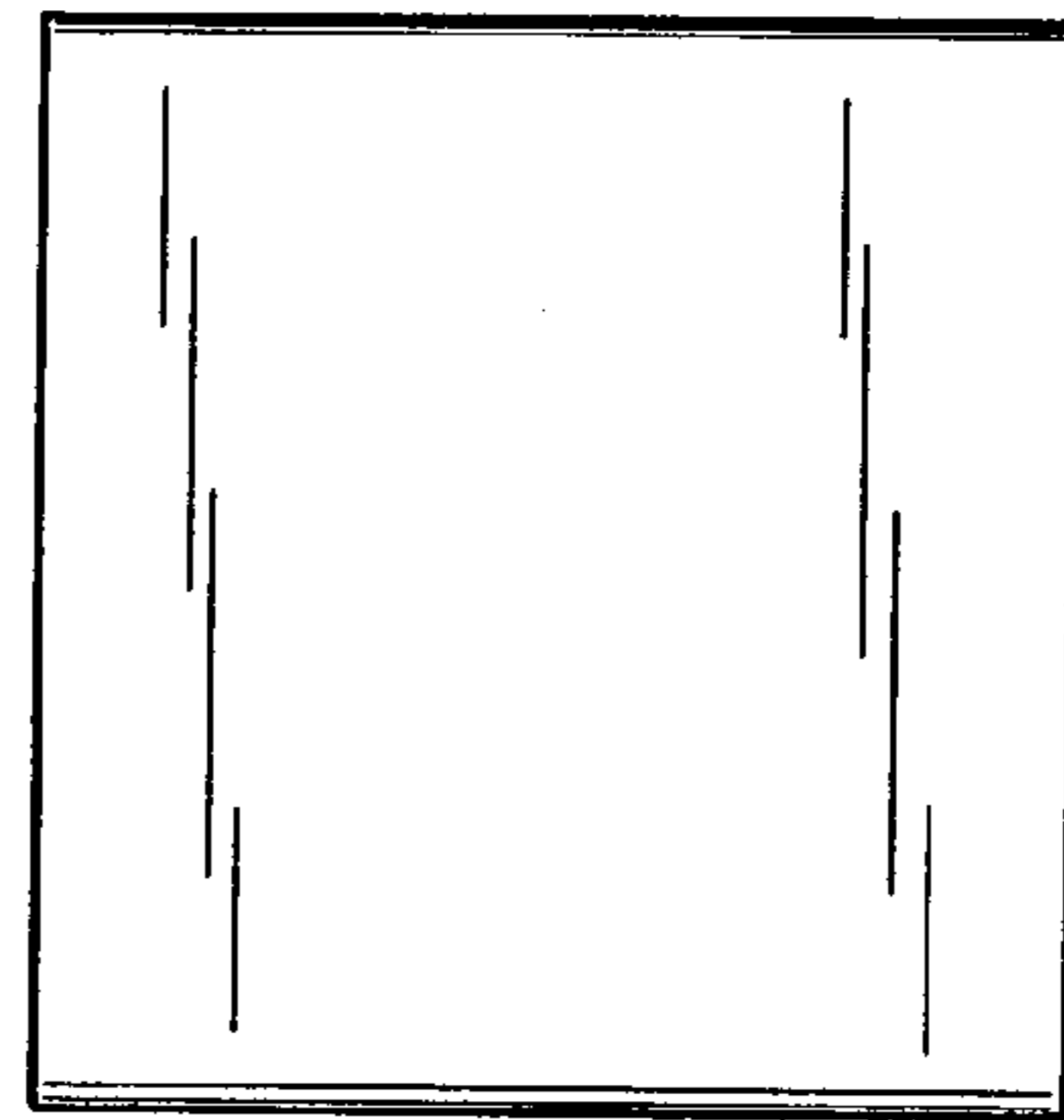


FIG. 3

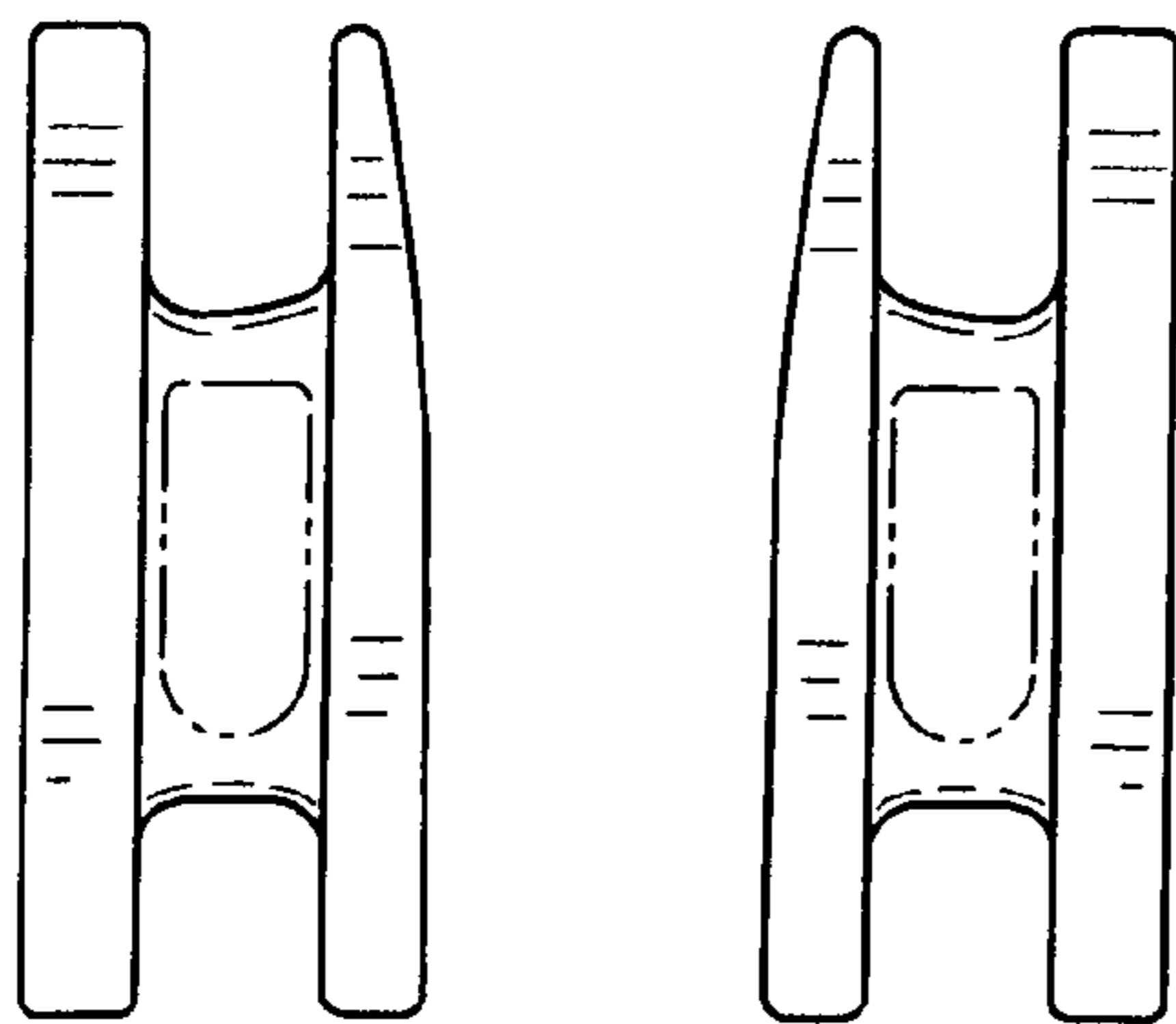


FIG. 4

FIG. 5

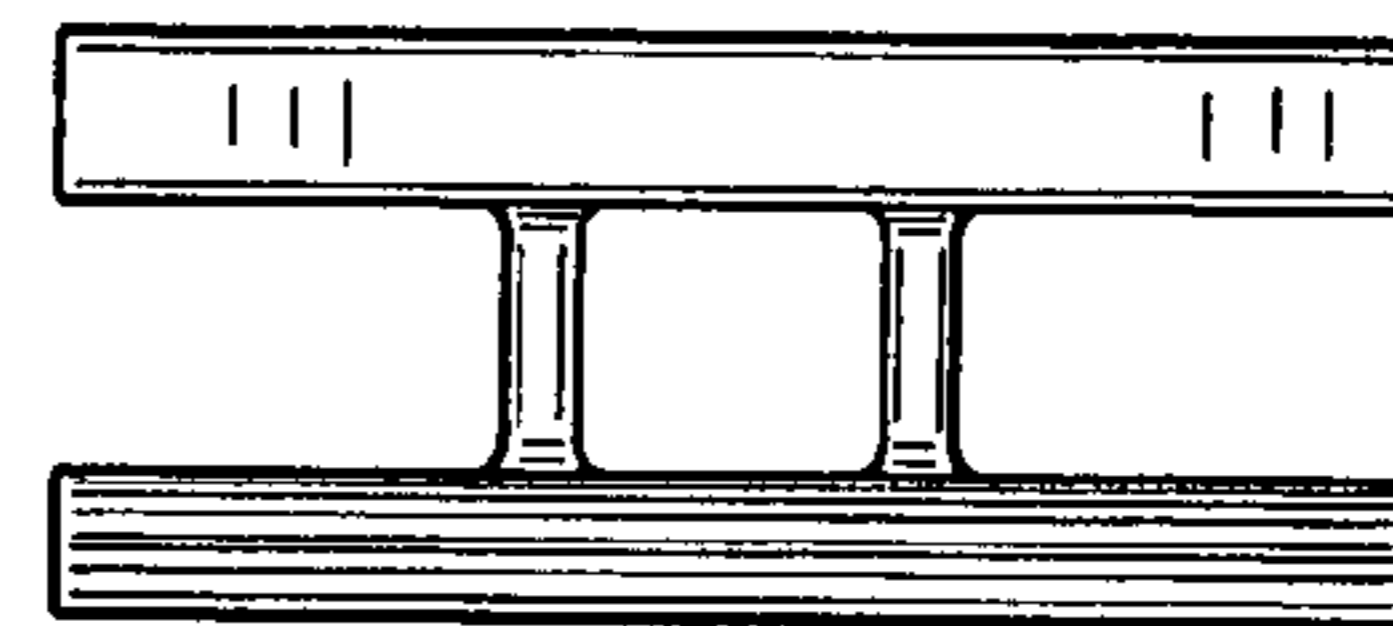


FIG. 6

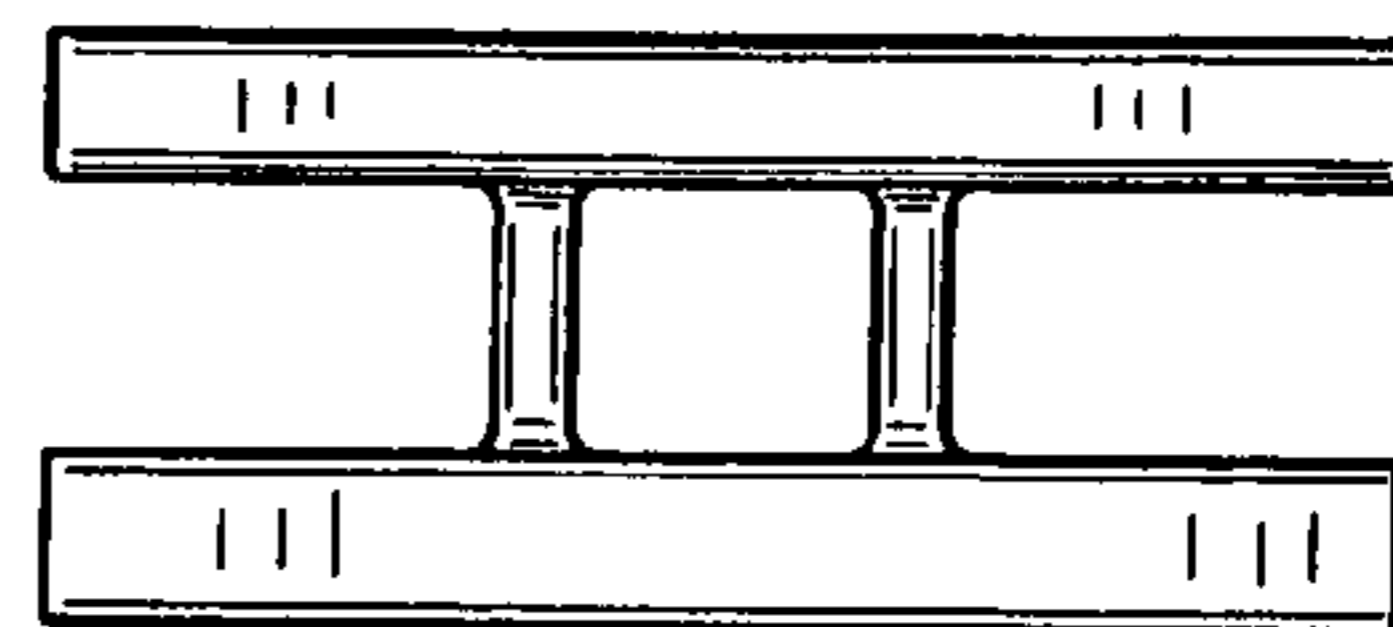


FIG. 7