



US00D550215S

(12) **United States Design Patent**
Udagawa et al.

(10) **Patent No.:** **US D550,215 S**

(45) **Date of Patent:** **** Sep. 4, 2007**

(54) **HEADSET**

(75) Inventors: **Masamichi Udagawa**, New York, NY (US); **Sigrid Moeslinger**, New York, NY (US)

(73) Assignee: **Microsoft Corporation**, Redmond, WA (US)

(**) Term: **14 Years**

(21) Appl. No.: **29/247,552**

(22) Filed: **Jun. 26, 2006**

(51) **LOC (8) Cl.** **14-01**

(52) **U.S. Cl.** **D14/223**

(58) **Field of Classification Search** D14/188,
D14/192, 205-206, 138, 223; 379/430-434;
181/129-130; 381/375-381, 385; 455/350-351;
D24/174

See application file for complete search history.

(56) **References Cited**

U.S. PATENT DOCUMENTS

D512,991 S	*	12/2005	Yano	D14/223
D526,313 S	*	8/2006	Murray	D14/223
D528,531 S	*	9/2006	Rose et al.	D14/138
D529,021 S	*	9/2006	Jensen et al.	D14/223
D533,540 S	*	12/2006	Murray	D14/205
D538,268 S	*	3/2007	Gibson et al.	D14/223
D538,271 S	*	3/2007	Kim et al.	D14/223
D538,792 S	*	3/2007	Kim et al.	D14/223

* cited by examiner

Primary Examiner—Paula A. Greene

(74) *Attorney, Agent, or Firm*—Banner & Witcoff, Ltd.

(57) **CLAIM**

The ornamental design for a headset, as shown and described.

DESCRIPTION

FIG. 1 is a perspective view of a headset showing our new design;

FIG. 2 is a front view thereof;

FIG. 3 is a rear view thereof;

FIG. 4 is a right side view thereof;

FIG. 5 is a left side thereof;

FIG. 6 is a top view thereof; and

FIG. 7 is a bottom view thereof; and

FIG. 8 is a perspective view thereof, without contour shading;

FIG. 9 is a front view thereof;

FIG. 10 is a rear view thereof;

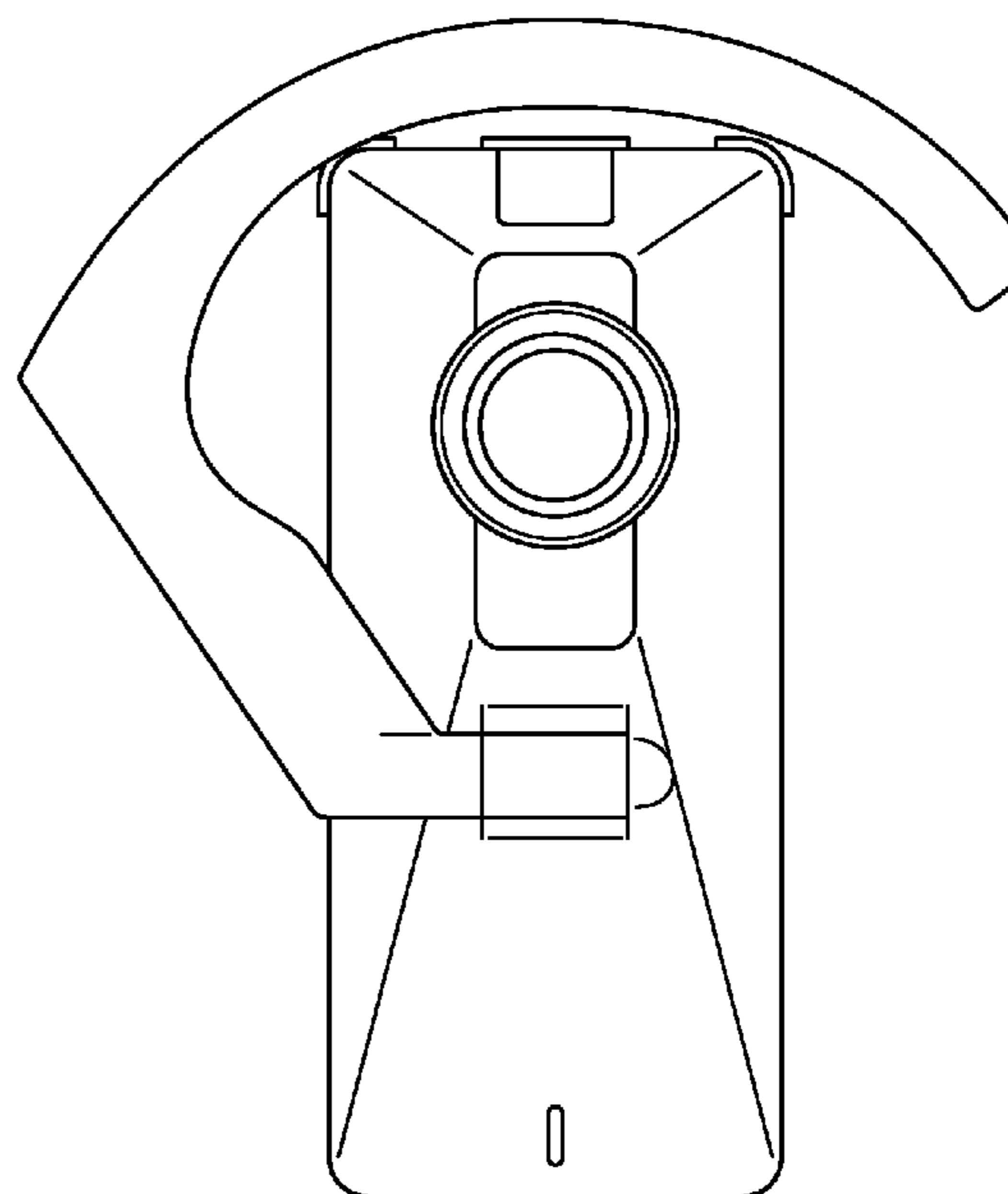
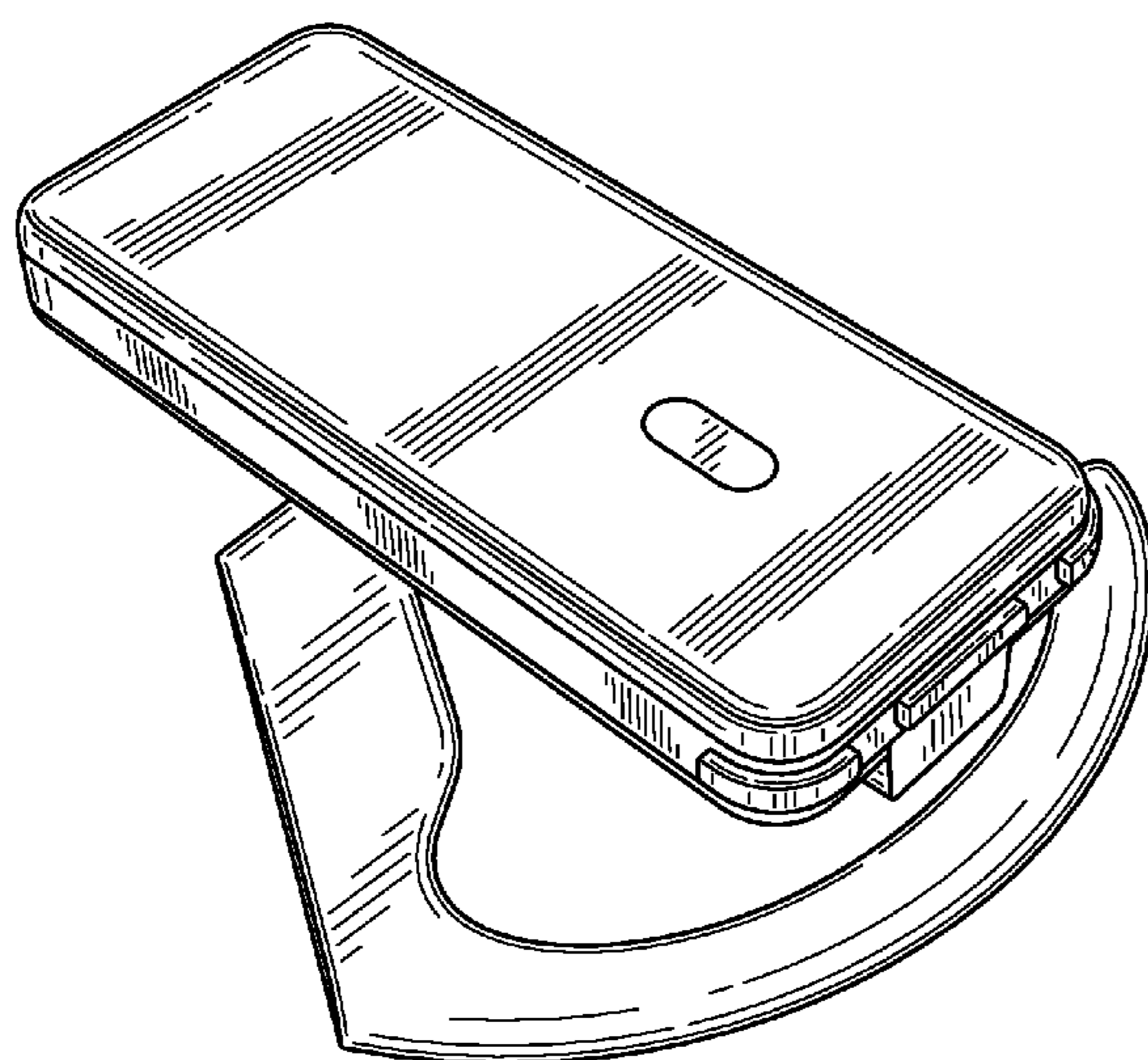
FIG. 11 is a right side view thereof;

FIG. 12 is a left side view thereof;

FIG. 13 is a top view thereof; and,

FIG. 14 is a bottom view thereof.

1 Claim, 6 Drawing Sheets



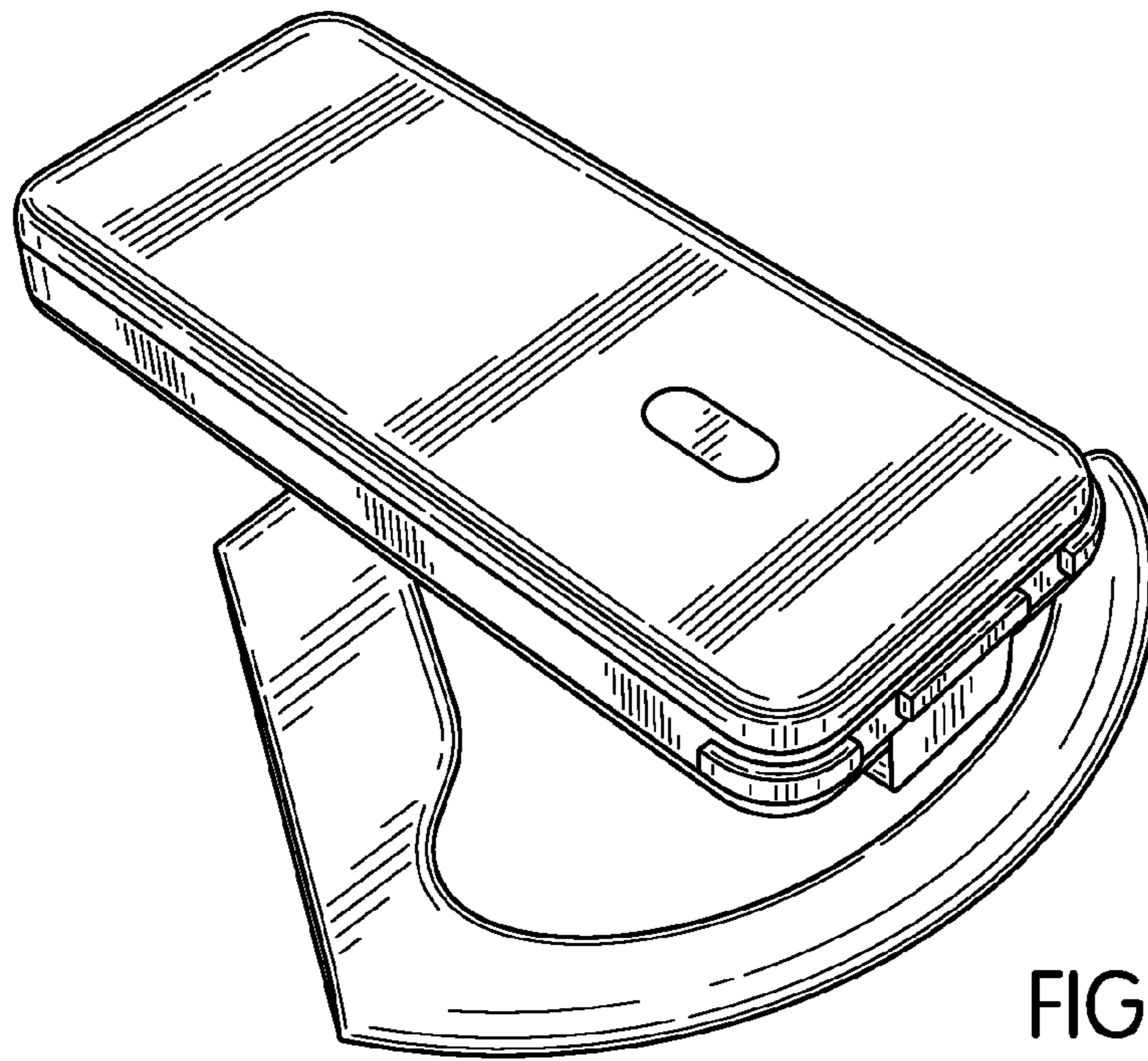


FIG. 1

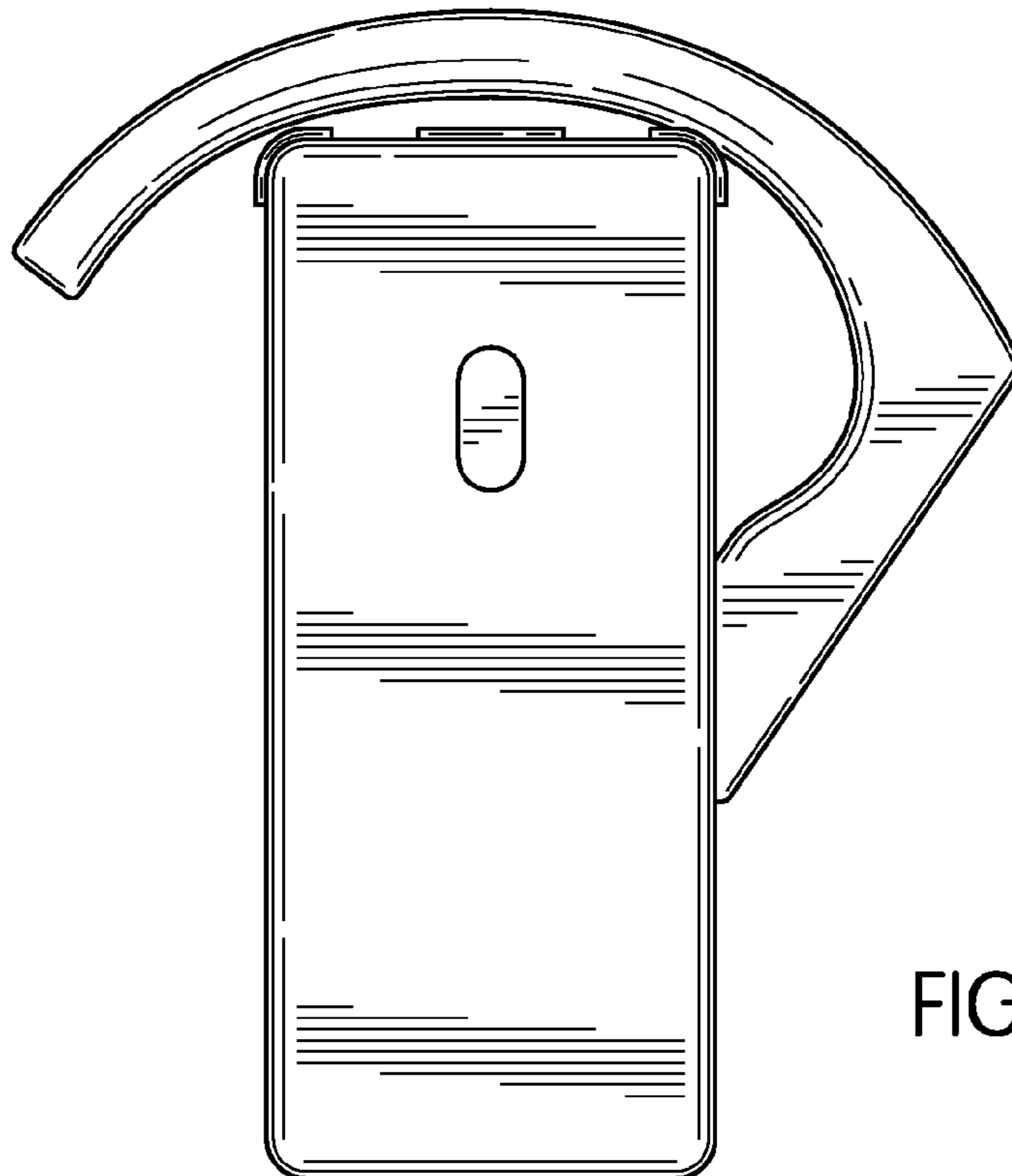


FIG. 2

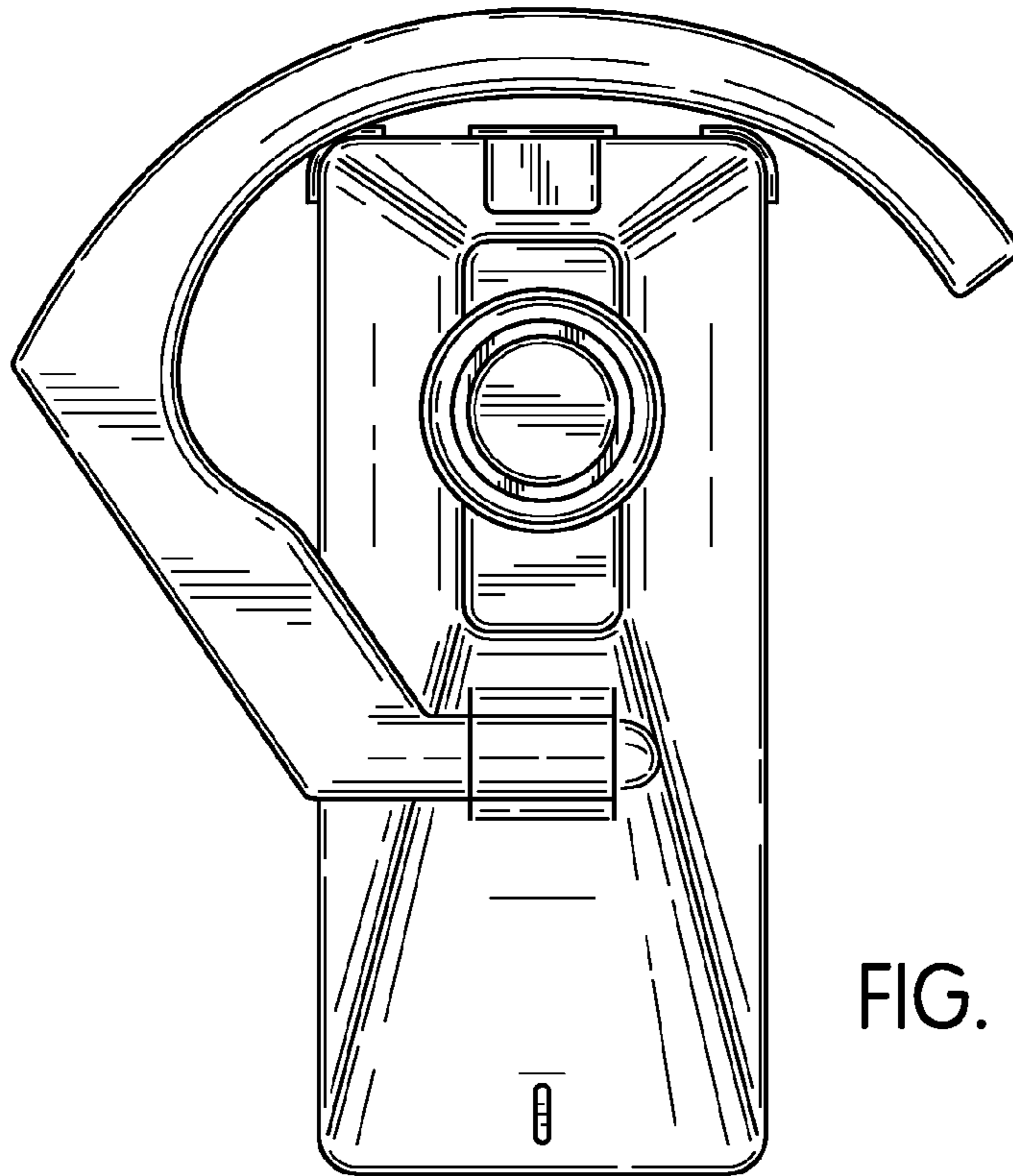


FIG. 3

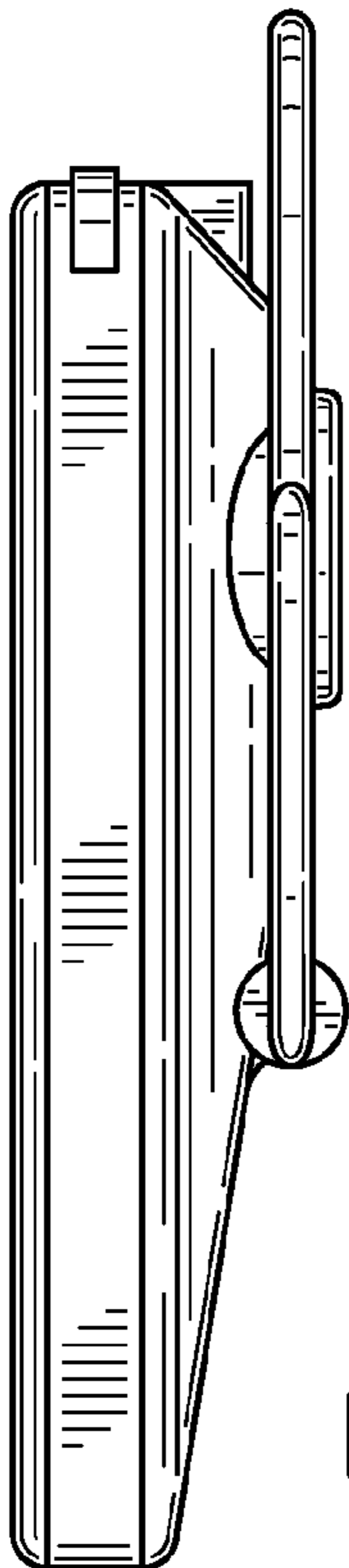


FIG. 4

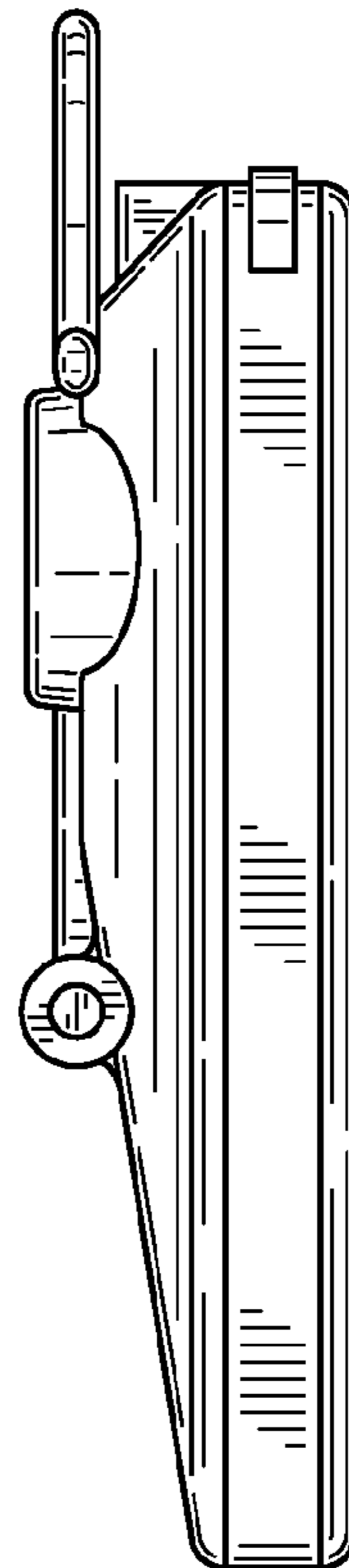


FIG. 5

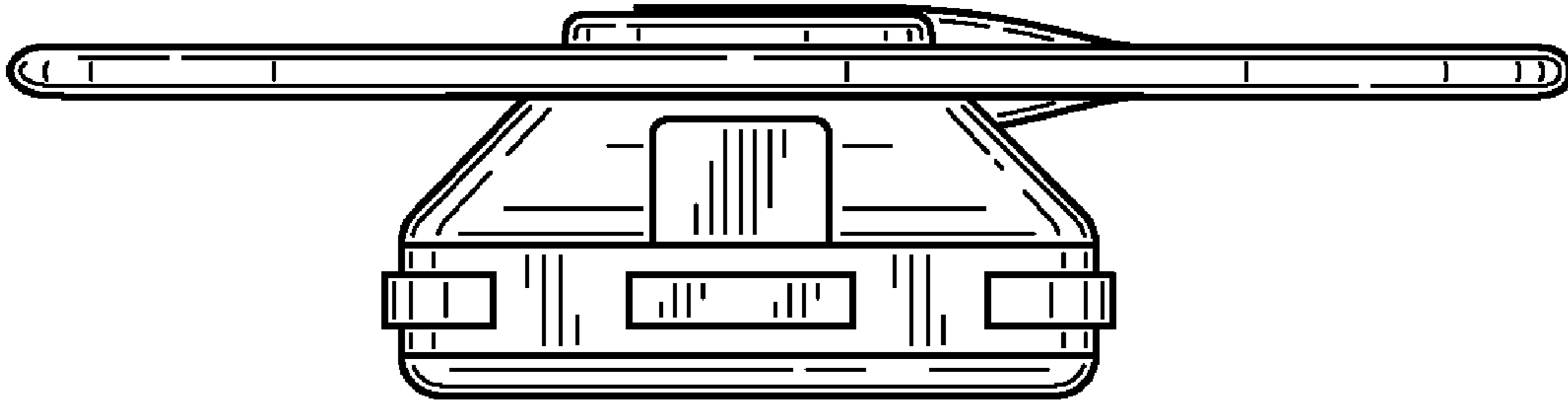


FIG. 6

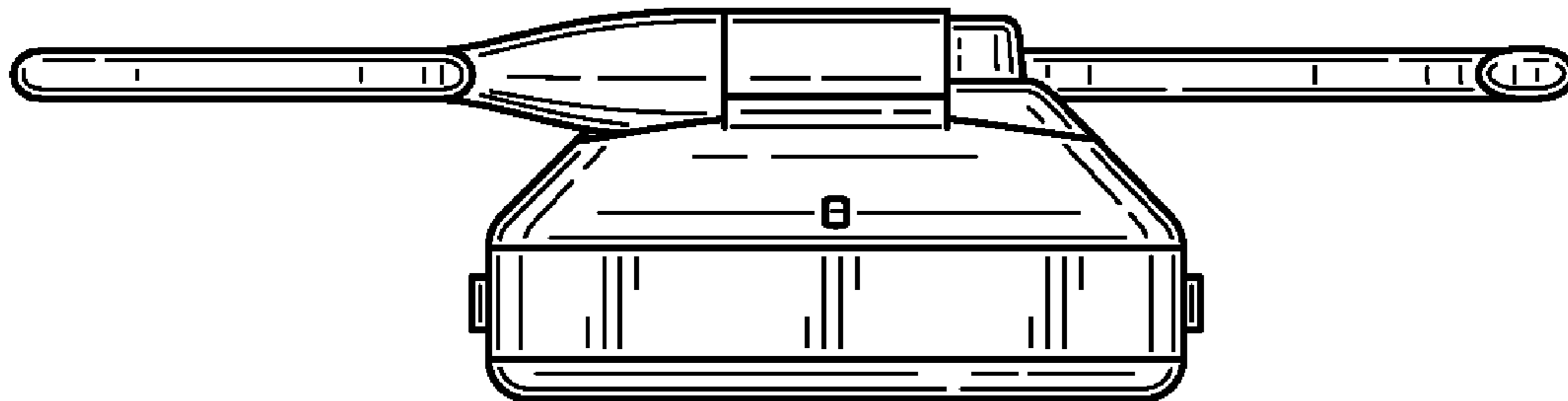


FIG. 7

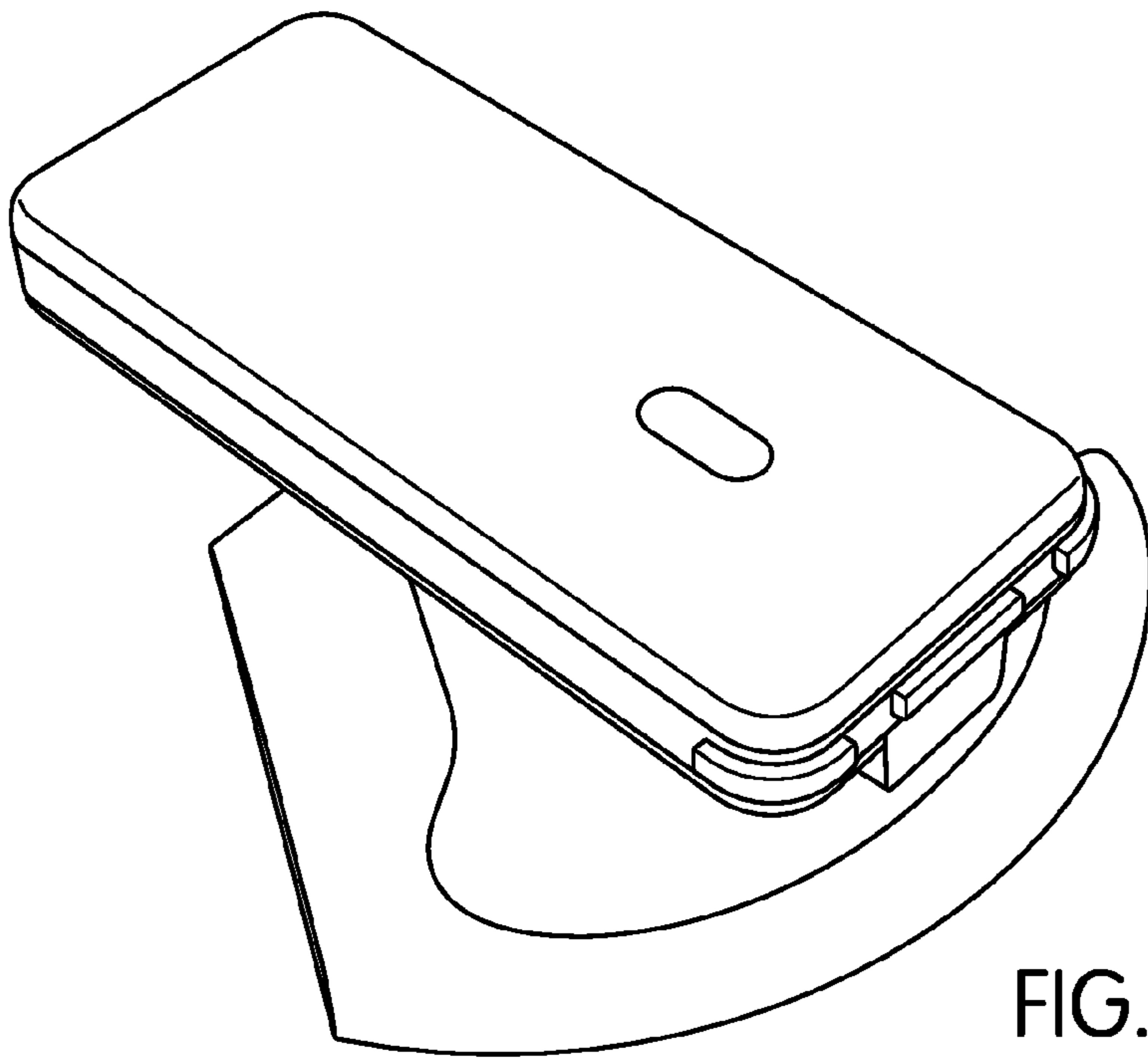


FIG. 8

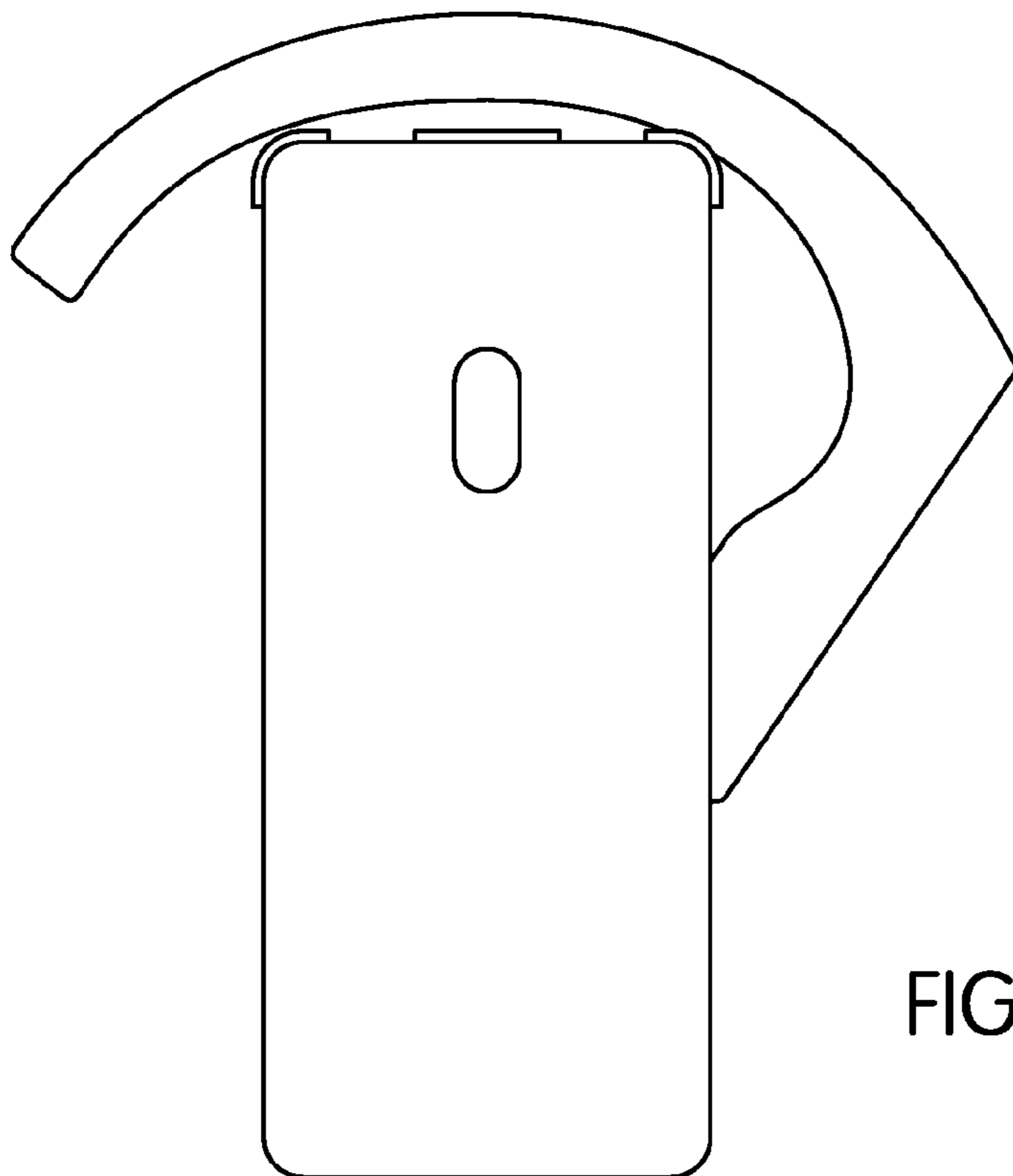


FIG. 9

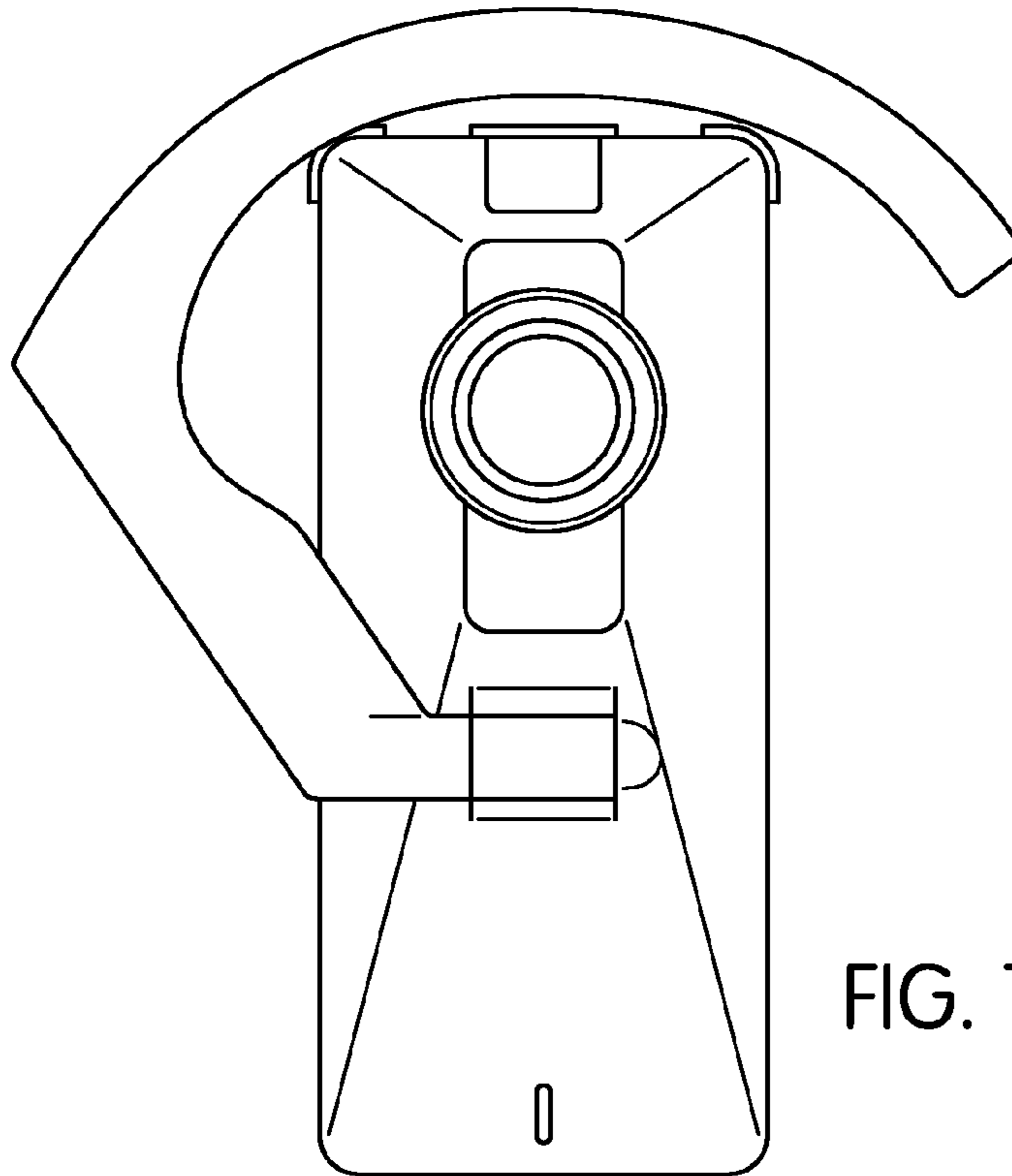


FIG. 10

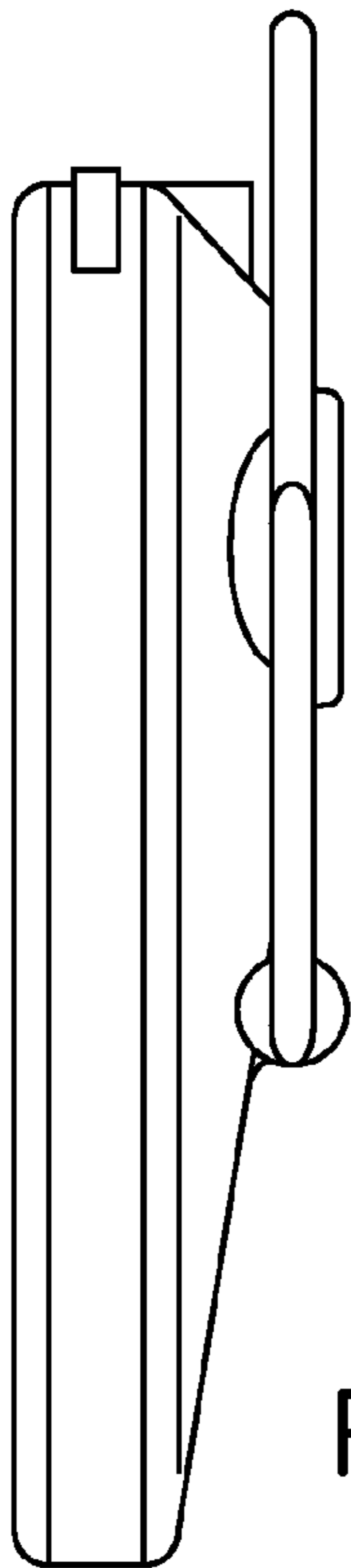


FIG. 11

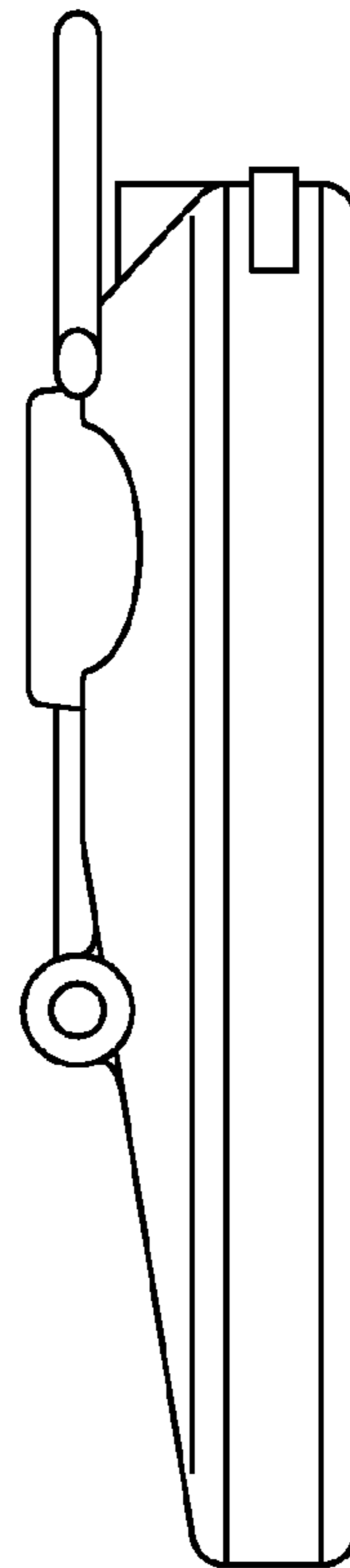


FIG. 12

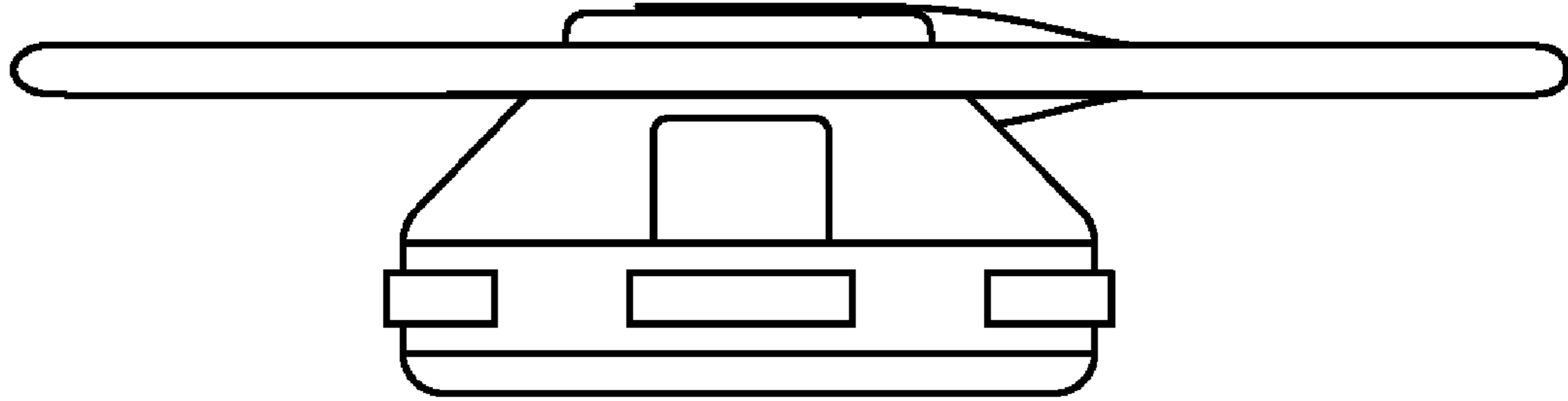


FIG. 13

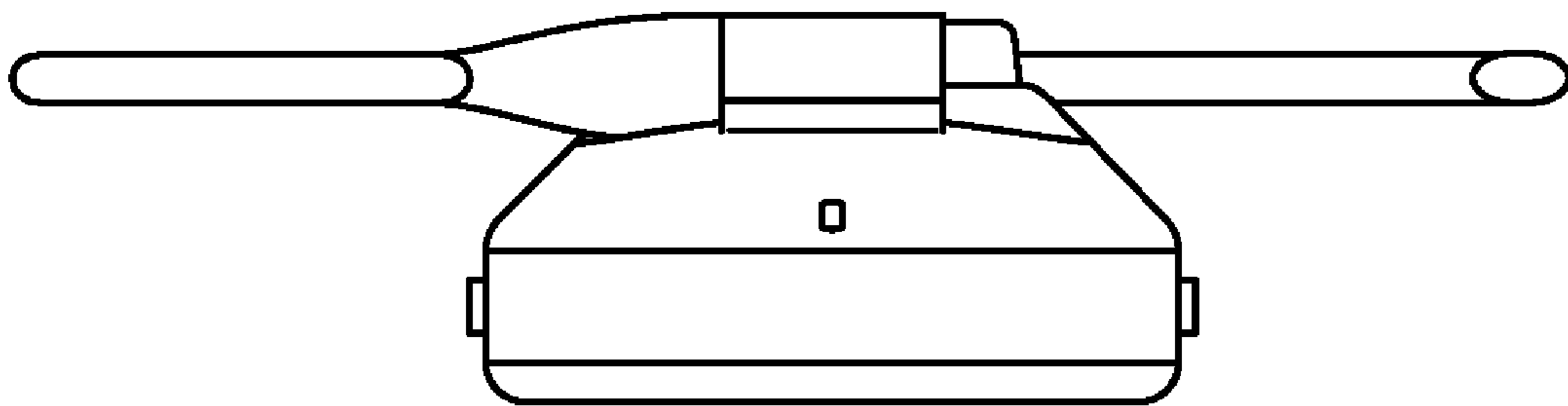


FIG. 14