



US00D550212S

(12) **United States Design Patent**
Hakoda

(10) **Patent No.:** **US D550,212 S**

(45) **Date of Patent:** **** Sep. 4, 2007**

(54) **REMOTE CONTROLLER**

(75) Inventor: **Katsuhisa Hakoda**, Tokyo (JP)

(73) Assignee: **Sony Corporation**, Tokyo (JP)

(**) Term: **14 Years**

(21) Appl. No.: **29/251,501**

(22) Filed: **Jan. 10, 2006**

(51) **LOC (8) Cl.** **14-03**

(52) **U.S. Cl.** **D14/218**

(58) **Field of Classification Search** D14/174,
D14/137-139, 151, 217, 218, 191-193, 167,
D14/299, 168, 247, 455, 456; D13/168,
D13/162-164; D21/512-517, 566; D10/104,
D10/106; 345/169; 348/114, 734; 455/352-355,
455/151.1-151.4, 128, 347, 90.3
See application file for complete search history.

(56) **References Cited**

U.S. PATENT DOCUMENTS

| | | | | | |
|-------------|---|---------|--------------------|-------|---------|
| D363,486 S | * | 10/1995 | Shinohara et al. | | D14/218 |
| D366,043 S | * | 1/1996 | Hara et al. | | D14/218 |
| D383,134 S | * | 9/1997 | Patton | | D14/218 |
| D384,940 S | | 10/1997 | Kono et al. | | |
| D405,796 S | | 2/1999 | Uehara | | |
| 5,973,757 A | * | 10/1999 | Aubuchon et al. | | 348/734 |
| D416,911 S | * | 11/1999 | Takahashi et al. | | D14/218 |
| D420,668 S | * | 2/2000 | Choi | | D14/218 |
| D448,365 S | * | 9/2001 | Kerestegian et al. | | D14/240 |
| D463,405 S | * | 9/2002 | Masujima et al. | | D14/218 |
| D466,108 S | * | 11/2002 | Glodava et al. | | D14/218 |
| D477,590 S | * | 7/2003 | Ahn | | D14/218 |
| D478,570 S | | 8/2003 | Goto | | |
| D504,886 S | * | 5/2005 | Yasutomi | | D14/218 |
| D515,557 S | * | 2/2006 | Okuley | | D14/218 |
| D517,532 S | * | 3/2006 | Chen | | D14/218 |

| | | | | | |
|------------|---|---------|--------------------|-------|---------|
| D520,495 S | * | 5/2006 | Dukerschein et al. | | D14/218 |
| D526,280 S | * | 8/2006 | Nakamura | | D13/168 |
| D527,667 S | * | 9/2006 | Kim | | D10/114 |
| D529,872 S | * | 10/2006 | Weitgasser et al. | | D13/168 |
| D534,131 S | * | 12/2006 | Ng et al. | | D13/168 |
| D535,261 S | * | 1/2007 | Daniels | | D13/168 |

FOREIGN PATENT DOCUMENTS

| | | |
|----|------------|---------|
| JP | D1102665 S | 3/2001 |
| JP | D1220063 S | 10/2004 |

OTHER PUBLICATIONS

Web page "Digital W Tuner/HDMI" <http://www.watch.impress.co.jp/av/docs/20050824/hitachi.html>, 7 sheets, Impress Corporation (Nov. 2005).

* cited by examiner

Primary Examiner—Louis S. Zarfes
Assistant Examiner—John Windmuller
(74) *Attorney, Agent, or Firm*—Rader, Fishman & Grauer PLLC

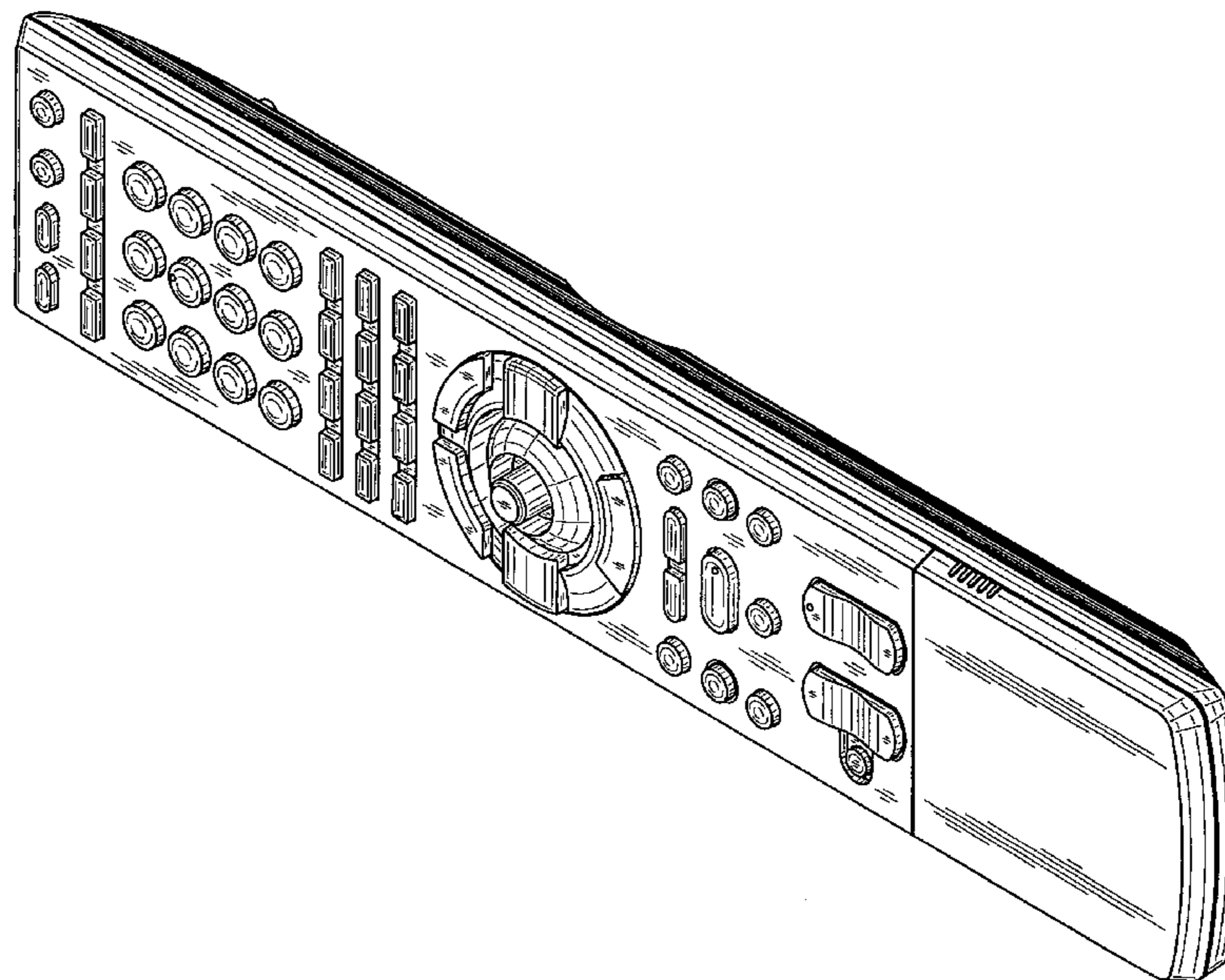
(57) **CLAIM**

The ornamental design for a remote controller, as shown.

DESCRIPTION

FIG. 1 is a perspective view of a remote controller showing my new design;
FIG. 2 is a front elevational view thereof;
FIG. 3 is a rear elevational view thereof;
FIG. 4 is a left side elevational view thereof;
FIG. 5 is a right side elevational view thereof;
FIG. 6 is a top plan view thereof; and,
FIG. 7 is a bottom plan view thereof.

1 Claim, 7 Drawing Sheets



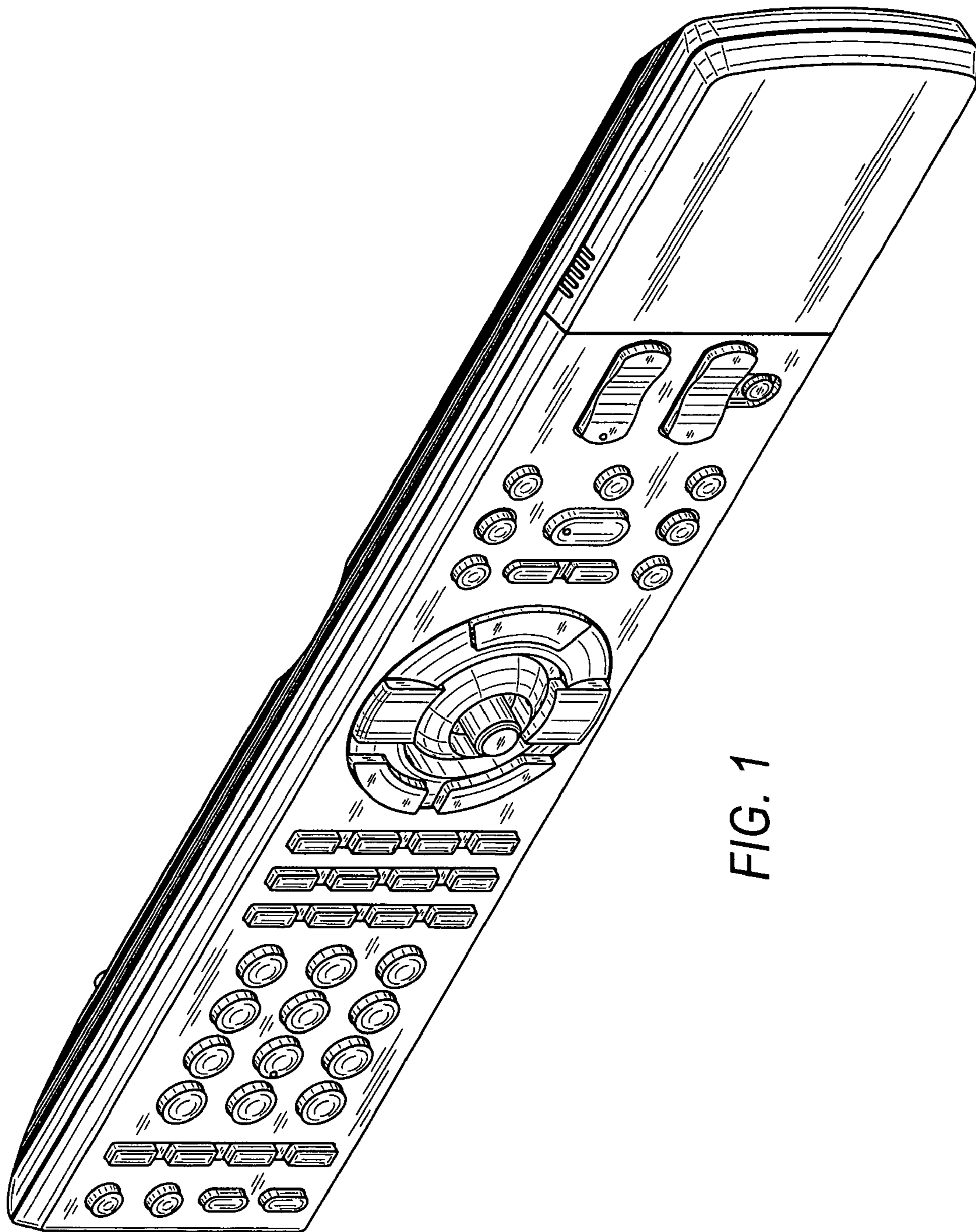


FIG. 1

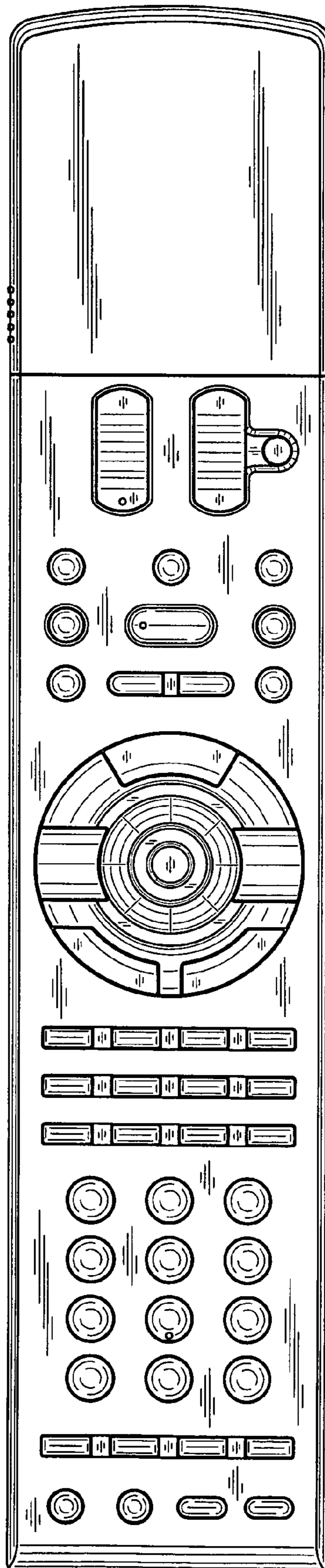


FIG. 2

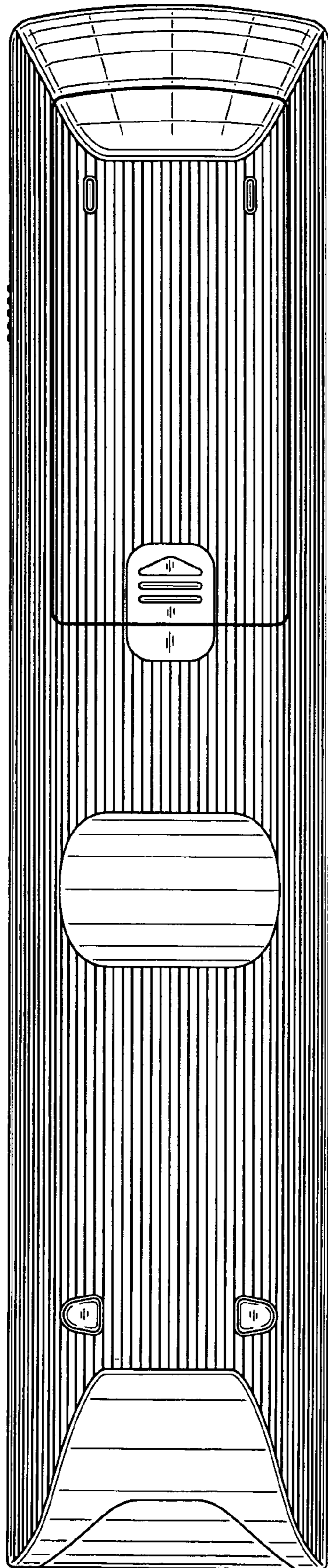


FIG. 3

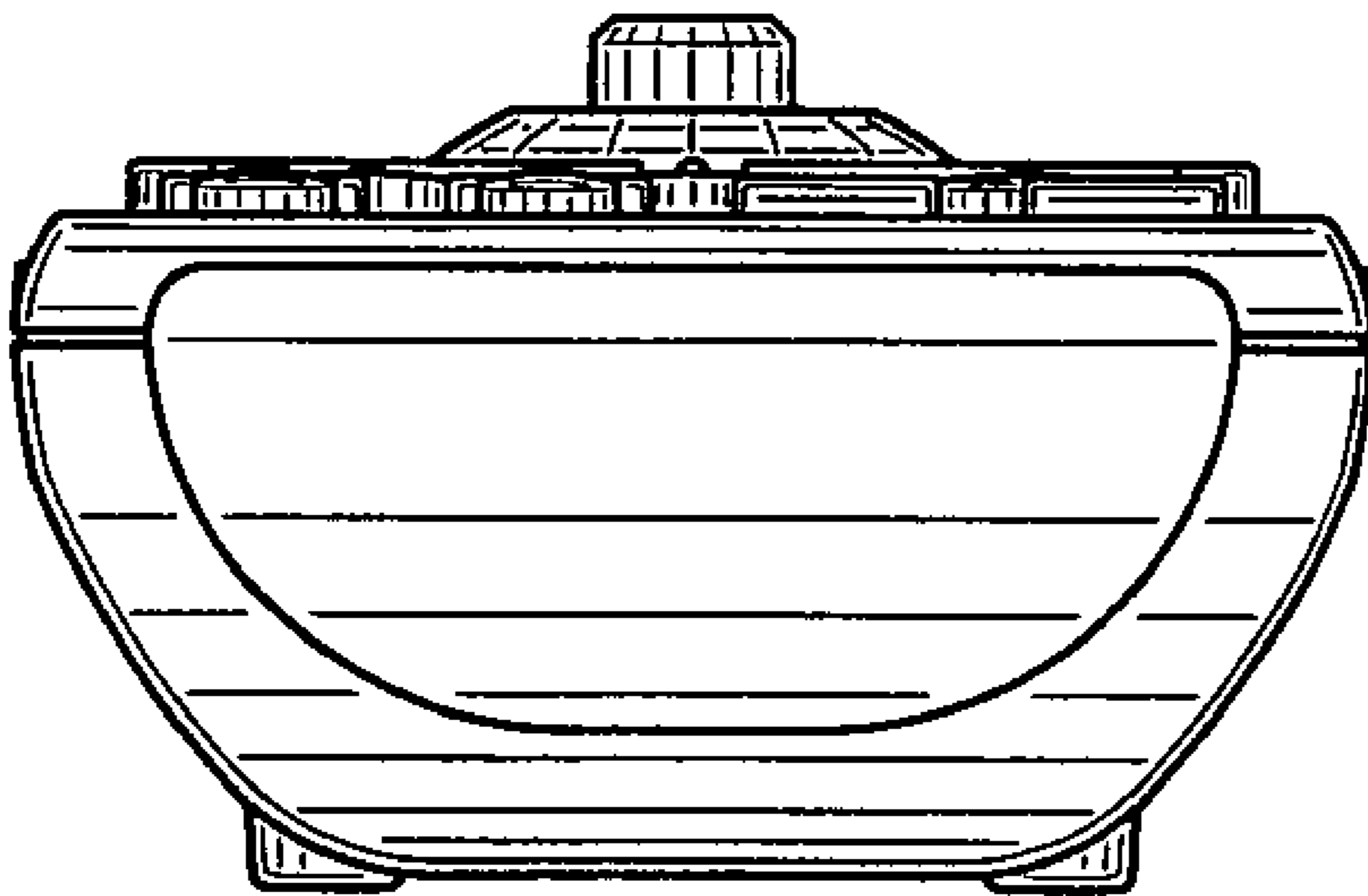


FIG. 4

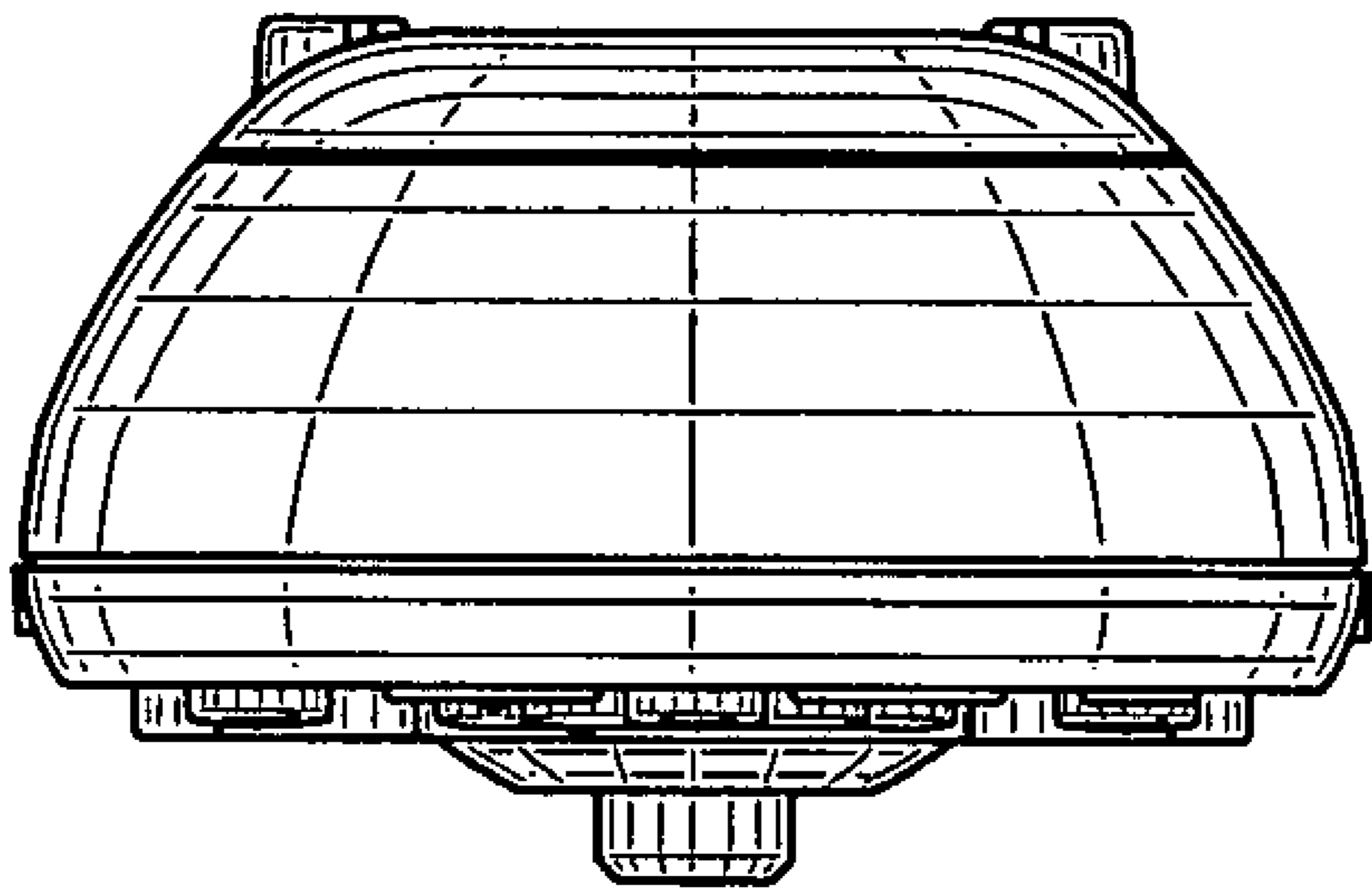


FIG. 5

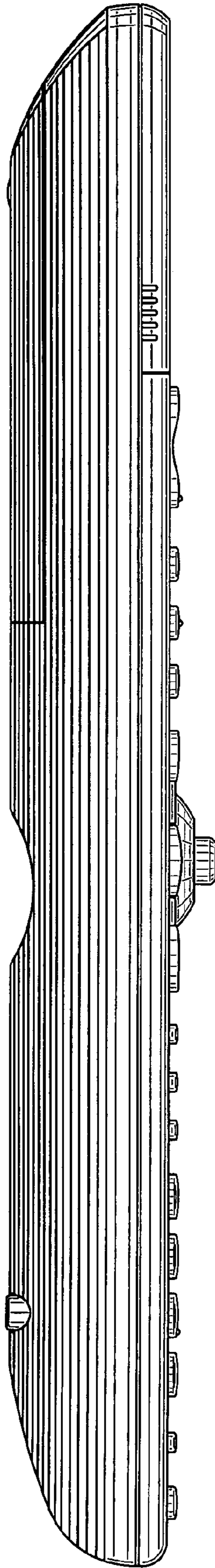


FIG. 6

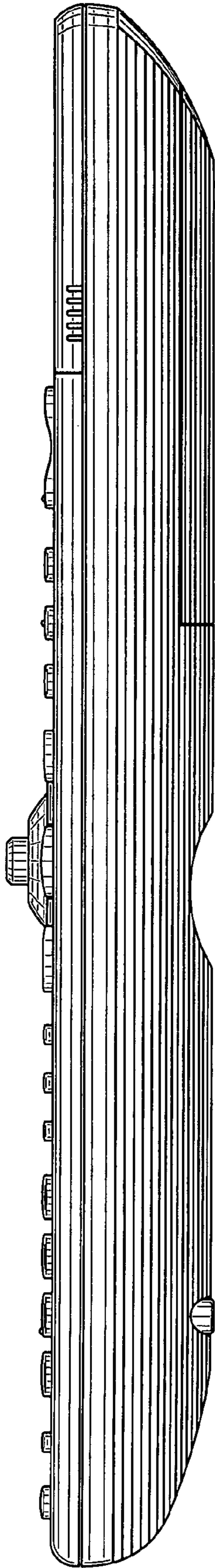


FIG. 7