



US00D550211S

(12) **United States Design Patent**  
**Ikeda et al.**

(10) **Patent No.: US D550,211 S**

(45) **Date of Patent: \*\* Sep. 4, 2007**

(54) **REMOTE CONTROLLER KEY CONFIGURATION**

D524,298 S \* 7/2006 Hedderich et al. .... D14/218  
D532,775 S \* 11/2006 Ikeda et al. .... D14/218

(75) Inventors: **John Ikeda**, Seattle, WA (US); **James Y. Koo**, Renton, WA (US)

**OTHER PUBLICATIONS**

(73) Assignee: **Microsoft Corporation**, Redmond, WA (US)

Photo of Xbox DVD Movie Playback Kit by Microsoft Corporation, date prior to the filing of U.S. Appl. Ser. No. 29/229,699, filed May 11, 2005 (printed on Feb. 8, 2006).

(\*\*) Term: **14 Years**

\* cited by examiner

(21) Appl. No.: **29/247,641**

*Primary Examiner*—Louis S. Zarfaz  
*Assistant Examiner*—John Windmuller

(22) Filed: **Jun. 30, 2006**

(74) *Attorney, Agent, or Firm*—Banner & Witcoff, Ltd.

**Related U.S. Application Data**

(57) **CLAIM**

(63) Continuation of application No. 29/229,699, filed on May 11, 2005.

The ornamental design for a remote controller key configuration, as shown and described.

(51) **LOC (8) Cl.** ..... **14-03**

**DESCRIPTION**

(52) **U.S. Cl.** ..... **D14/218**

FIG. 1 is a front perspective view of a remote controller key configuration showing our new design;

(58) **Field of Classification Search** ..... D14/174,

FIG. 2 is a front view thereof;

D14/137–139, 151, 217, 218, 191–193, 167,

FIG. 3 is a right side view thereof;

D14/299, 168, 247, 455, 456; D13/168,

FIG. 4 is a left side view thereof;

D13/162–164; D21/512–517, 566; D10/104,

FIG. 5 is a top view thereof; and,

D10/106; 345/169; 348/114, 734; 455/352–355,

FIG. 6 is a bottom view thereof.

455/151.1–151.4, 128, 347, 90.3

See application file for complete search history.

(56) **References Cited**

The broken line showing of a controller body in the Figures is for illustrative purposes only and forms no part of the claimed design.

**U.S. PATENT DOCUMENTS**

D426,232 S \* 6/2000 Silbermann et al. .... D14/218

**1 Claim, 4 Drawing Sheets**

D477,591 S \* 7/2003 Hung ..... D14/218

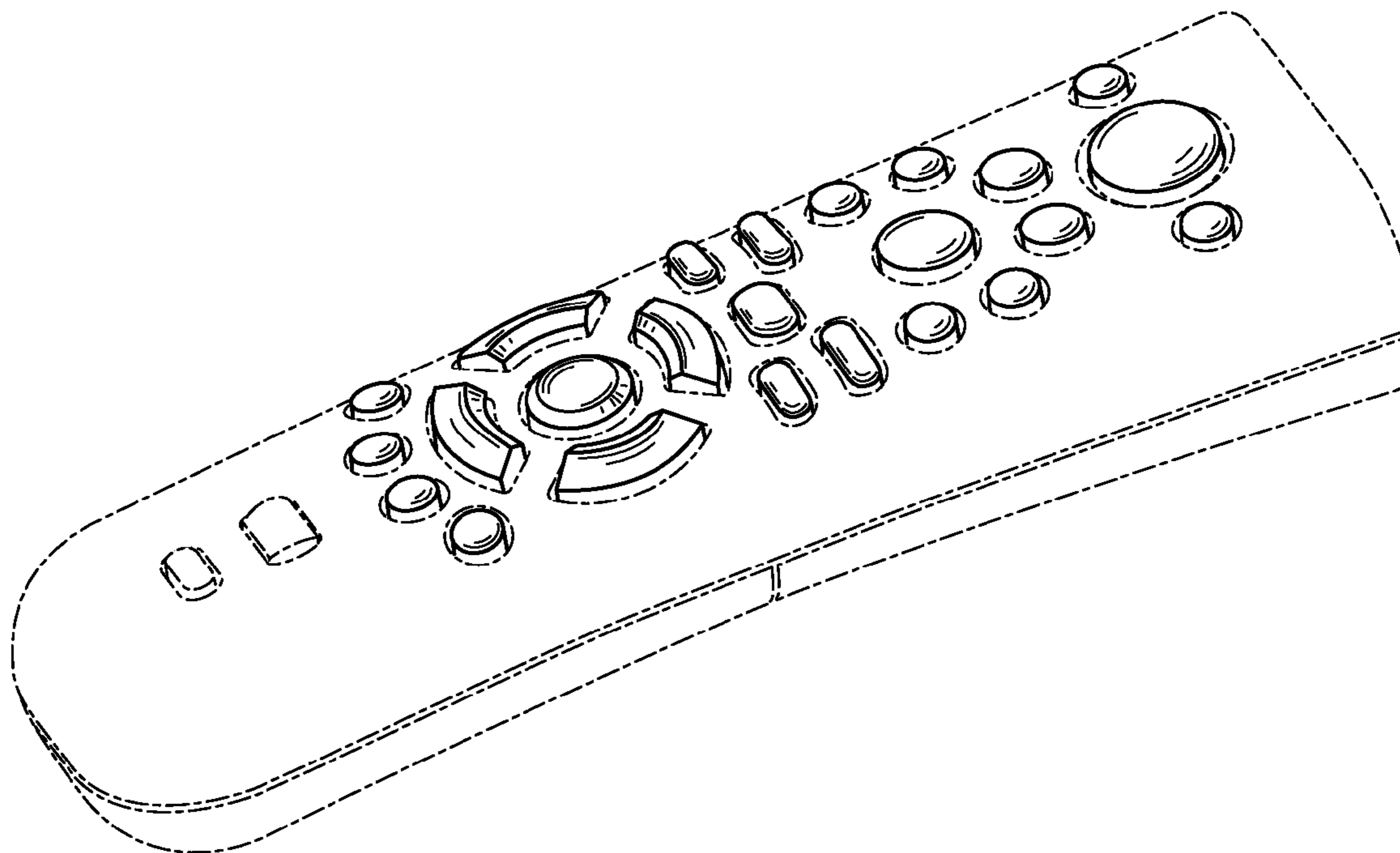


FIG. 1

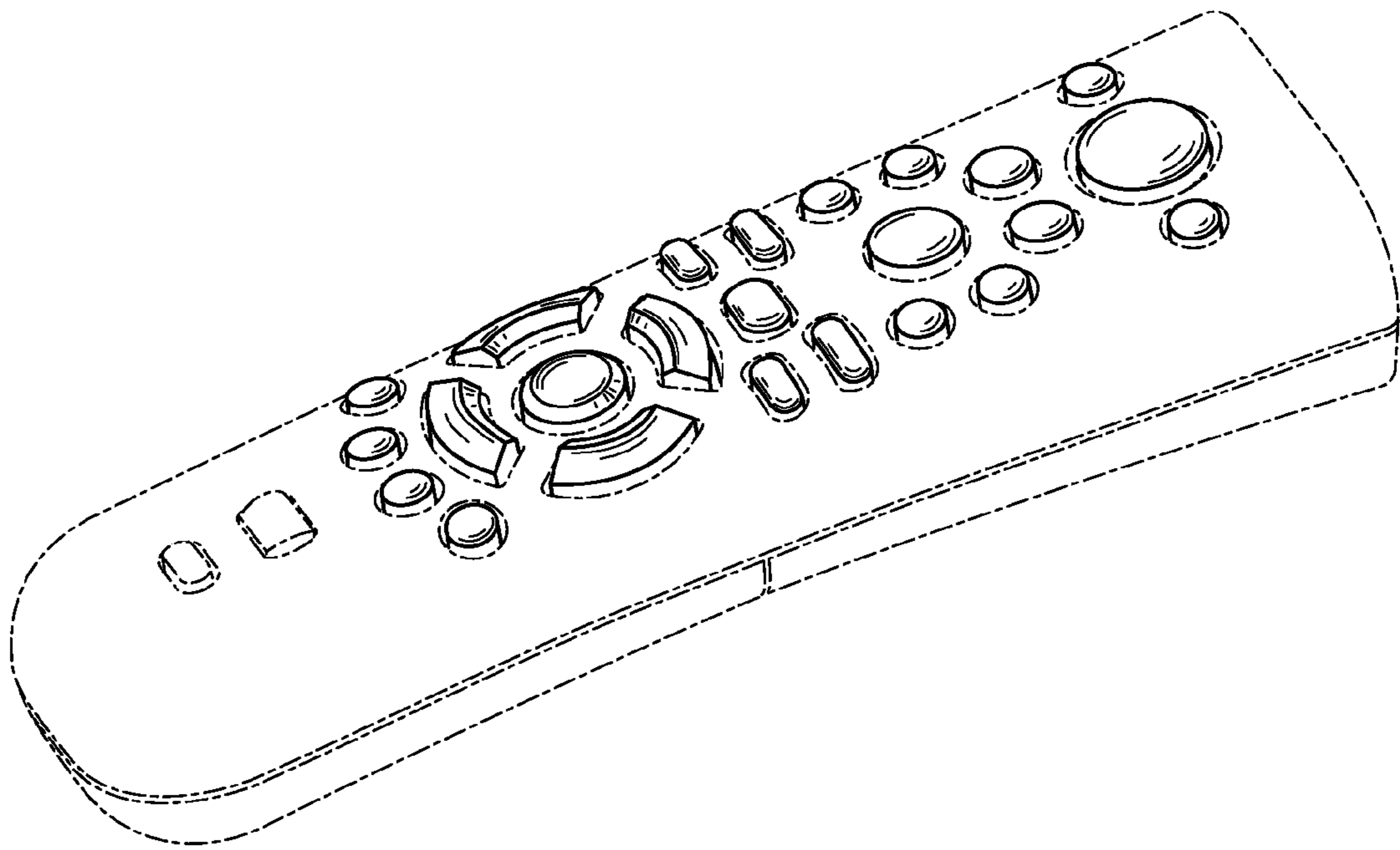


FIG. 2

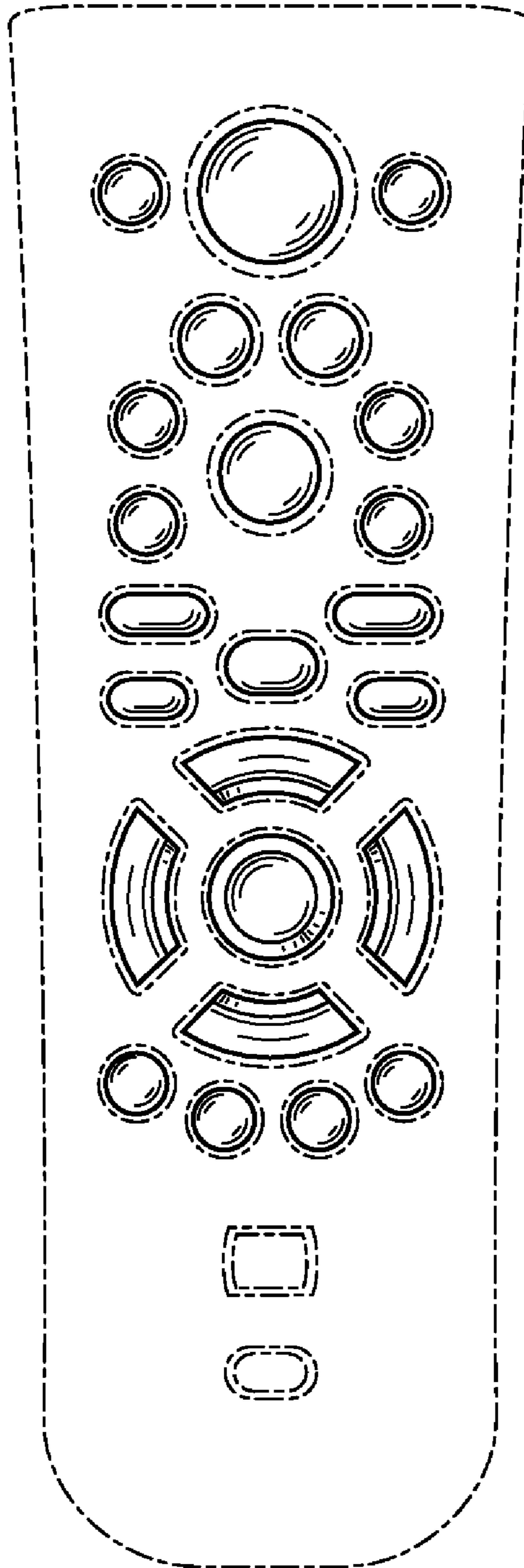


FIG. 3

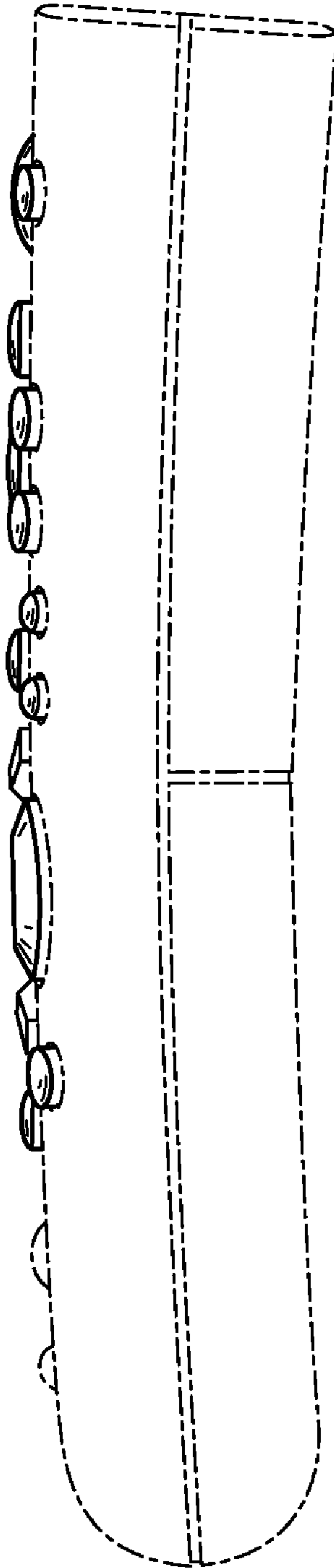
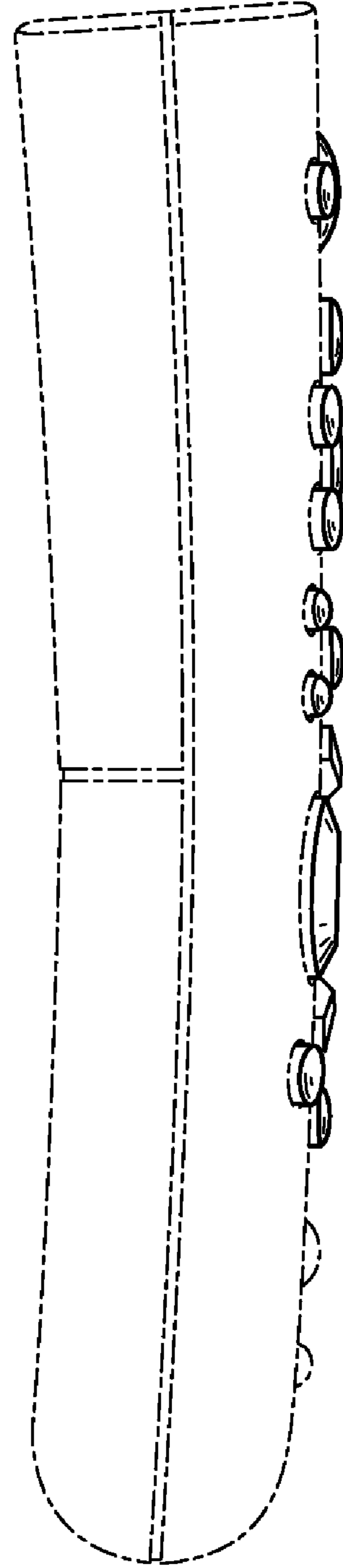
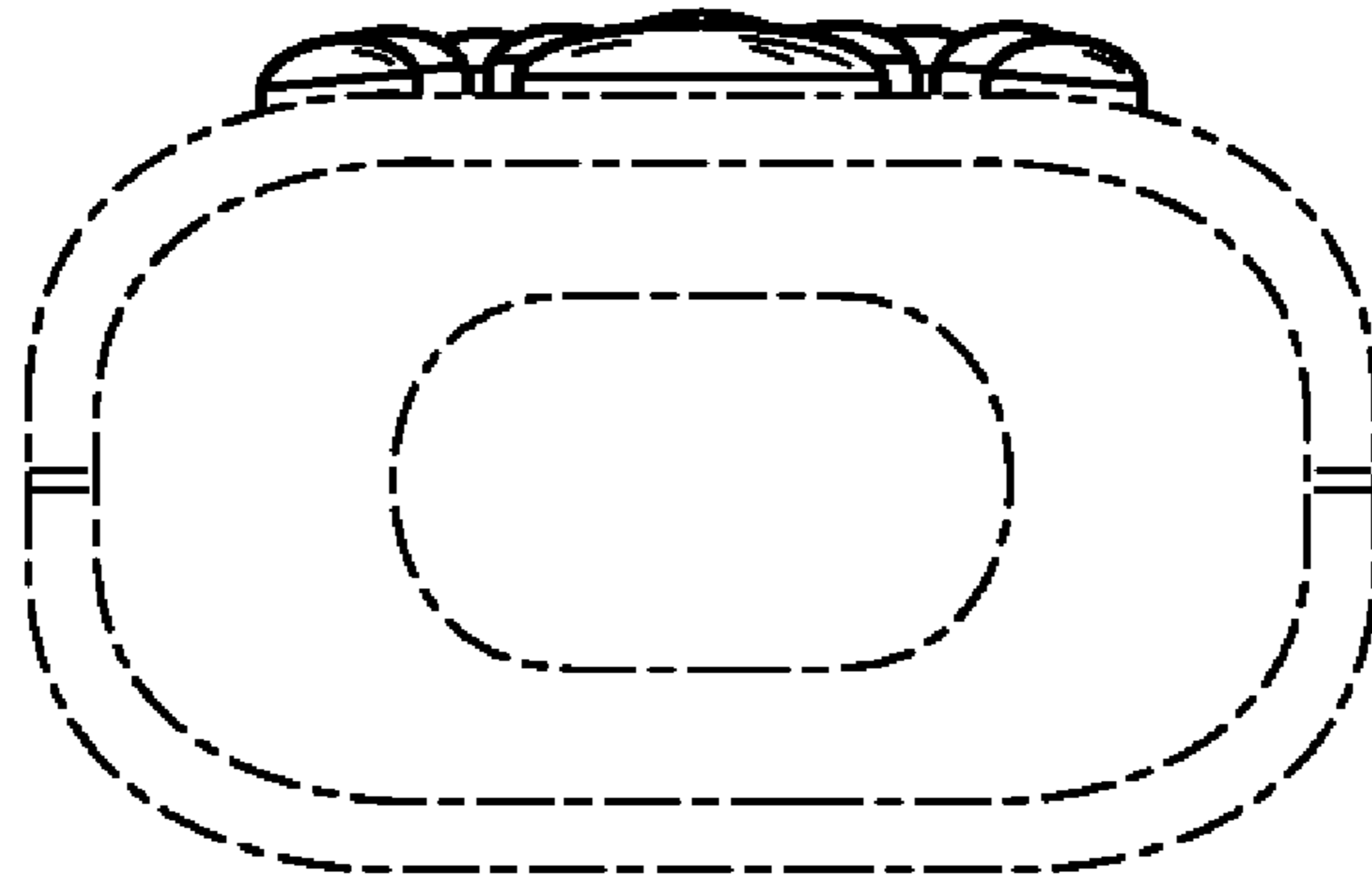


FIG. 4



# FIG. 5



# FIG. 6

