



US00D550210S

(12) **United States Design Patent**
Polany et al.

(10) **Patent No.:** **US D550,210 S**
(45) **Date of Patent:** **** Sep. 4, 2007**

(54) **WATERPROOF HOUSING FOR AN
ELECTRONIC AUDIO DEVICE**

(75) Inventors: **Rany Polany**, Del Mar, CA (US); **Carl Wilhelm Pettersen**, San Diego, CA (US); **Kari Kristian Rauhala**, Del Mar, CA (US); **Stephanie Ann Griffin**, Encinitas, CA (US); **Jim Abelardo Pena**, Encinitas, CA (US)

(73) Assignee: **Diver Entertainment Systems, Inc.**, San Diego, CA (US)

(**) Term: **14 Years**

(21) Appl. No.: **29/214,833**

(22) Filed: **Oct. 7, 2004**

(51) **LOC (8) Cl.** **14-03**

(52) **U.S. Cl.** **D14/217; D3/273; D3/294; D9/428**

(58) **Field of Classification Search** D3/273, D3/294; D9/428, 420, 422, 424; 206/269, 206/316.1, 524.8, 811; 220/560, 810; 367/132; D14/496, 217, 265, 299; 381/87, 334; 312/223.1-223.2, 312/223.3

See application file for complete search history.

(56) **References Cited**

U.S. PATENT DOCUMENTS

- 3,019,715 A * 2/1962 Arnold et al. 396/27
- 3,181,726 A * 5/1965 Parker 220/324
- 3,998,304 A * 12/1976 Edgerton et al. 190/107
- 4,281,343 A 7/1981 Monteiro
- 4,336,537 A 6/1982 Strickland
- 4,381,144 A 4/1983 Breslau
- 4,456,797 A 6/1984 Olsen
- 4,465,189 A 8/1984 Molzan
- D275,822 S * 10/1984 Gatland et al. D3/282
- D278,761 S 5/1985 Fuller
- 4,562,590 A 12/1985 DeLage

- 4,584,718 A 4/1986 Fuller
- 4,646,872 A 3/1987 Kamon et al.
- 4,682,363 A 7/1987 Goldfarb et al.
- 4,683,587 A 7/1987 Silverman
- 4,727,599 A 2/1988 Rappaport
- 4,771,299 A 9/1988 Gell, Jr.
- 4,774,383 A * 9/1988 Dalton, Jr. 174/50
- 4,949,806 A 8/1990 Hofer
- 5,087,934 A 2/1992 Johnson
- 5,136,555 A 8/1992 Gardos
- 5,239,323 A 8/1993 Johnson
- 5,258,592 A 11/1993 Nishikawa et al.
- 5,285,894 A 2/1994 Kamata et al.
- 5,294,988 A 3/1994 Wakabayashi
- 5,325,139 A 6/1994 Matsumoto
- 5,337,364 A 8/1994 Fitch
- 5,386,084 A 1/1995 Risko
- 5,456,377 A 10/1995 Williams, Jr.

(Continued)

FOREIGN PATENT DOCUMENTS

GB 2290696 A 1/1996

(Continued)

OTHER PUBLICATIONS

Gray Ghost Underwater Headphones, www.detectorpto.com/grayghost-underwater.htm, Apr. 2004.

Primary Examiner—Prabahakar Deshmukh

(74) *Attorney, Agent, or Firm*—Knobbe Martens Olsson & Bear LLP

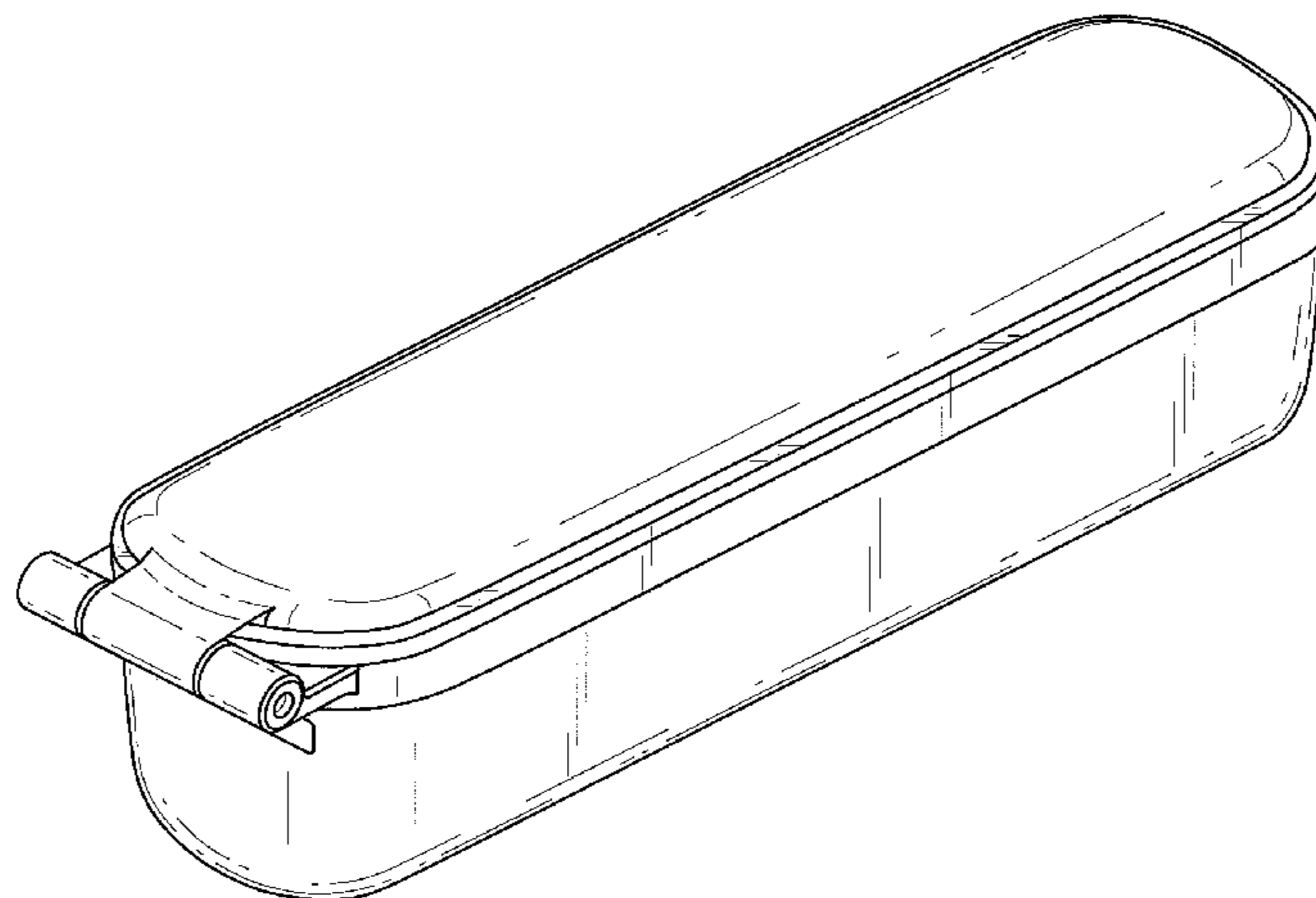
(57) **CLAIM**

The ornamental design for a waterproof housing for an electronic audio device, as shown and described.

DESCRIPTION

FIG. 1 is a perspective view of a waterproof housing for an electronic audio device.

1 Claim, 1 Drawing Sheet



US D550,210 S

Page 2

U.S. PATENT DOCUMENTS

5,533,637 A 7/1996 Williams, Jr.
5,533,737 A 7/1996 Borowski
5,537,667 A 7/1996 Kenning
5,570,688 A 11/1996 Cochran et al.
5,579,284 A 11/1996 May
5,586,176 A 12/1996 Peck
5,600,730 A 2/1997 Kenning et al.
5,610,655 A 3/1997 Wakabayashi et al.
D386,611 S * 11/1997 Sheu D3/215
5,706,251 A 1/1998 May
5,790,683 A 8/1998 Salzani
5,822,180 A * 10/1998 Deschamps et al. 361/627
5,825,718 A 10/1998 Ueki et al.
5,889,730 A 3/1999 May
D419,297 S 1/2000 Richardson et al.
D419,767 S 2/2000 Richardson et al.

D419,768 S * 2/2000 Richardson et al. D3/273
6,099,340 A * 8/2000 Florentine 439/367
D443,133 S 6/2001 Richardson et al.
6,396,769 B1 5/2002 Polany
D472,384 S 4/2003 Richardson
6,614,722 B2 9/2003 Polany et al.
6,681,022 B1 1/2004 Puthuff et al.
D531,798 S * 11/2006 Ringo D3/273
2005/0116003 A1 * 6/2005 Butler et al. 224/604
2005/0123161 A1 * 6/2005 Polany et al. 381/334
2005/0280338 A1 * 12/2005 Van Leeuwen 312/223.1

FOREIGN PATENT DOCUMENTS

JP 359144297 A 8/1984
JP 07298383 A 11/1995

* cited by examiner

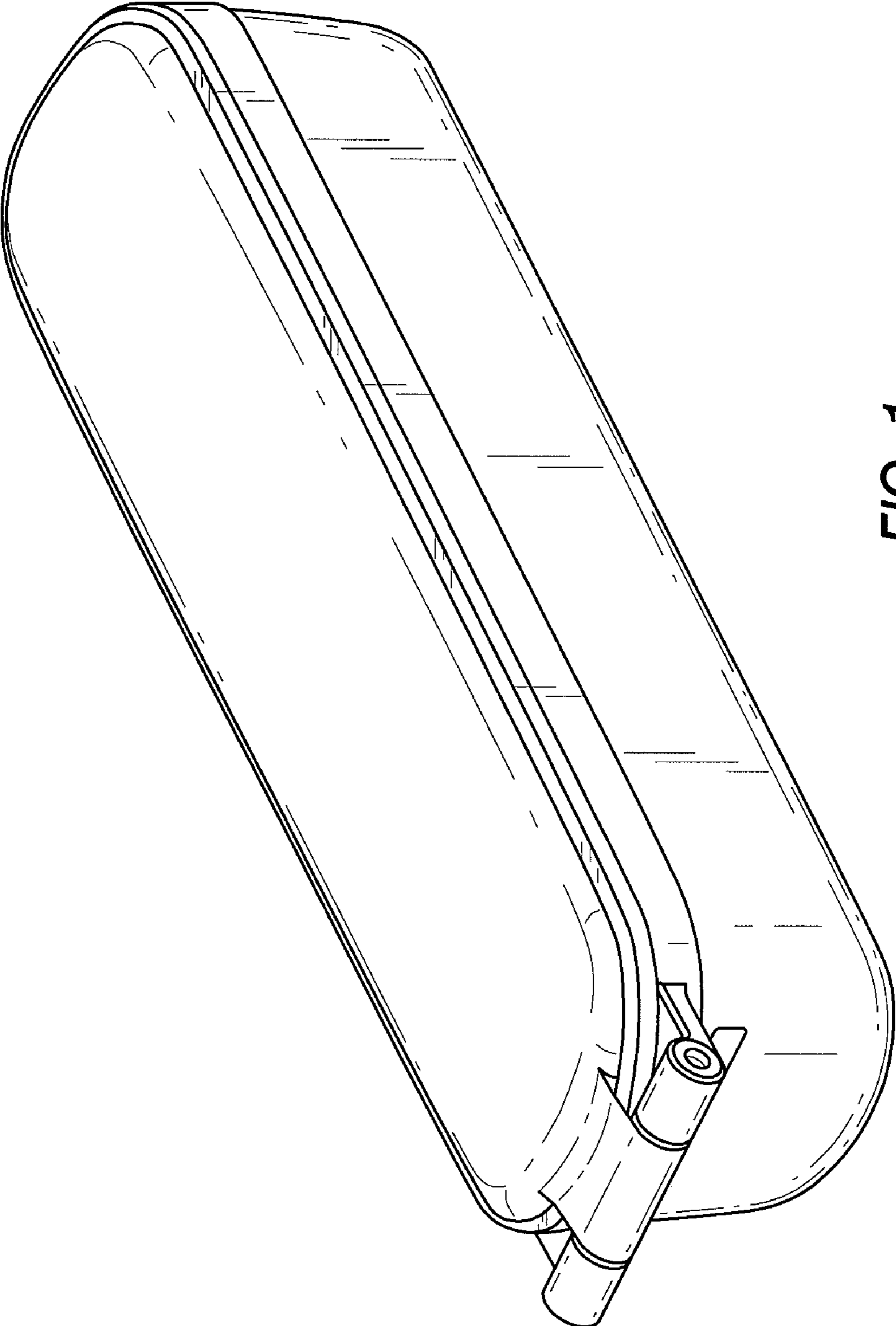


FIG. 1