



US00D550205S

(12) **United States Design Patent**  
**Kaneda**

(10) **Patent No.:** **US D550,205 S**

(45) **Date of Patent:** **\*\* Sep. 4, 2007**

(54) **SPEAKER**

(75) Inventor: **Yasuhisa Kaneda**, Tokyo (JP)

(73) Assignee: **Sony Corporation**, Tokyo (JP)

(\*\*) Term: **14 Years**

(21) Appl. No.: **29/259,474**

(22) Filed: **May 10, 2006**

(30) **Foreign Application Priority Data**

Nov. 10, 2005 (EM) ..... 000428628-0002

(51) **LOC (8) Cl.** ..... **14-01**

(52) **U.S. Cl.** ..... **D14/216**

(58) **Field of Classification Search** ..... D14/204,  
D14/209-216, 221-222; 181/143-144, 147-148,  
181/150, 157, 198-199, 151, 153; 381/300-302,  
381/306, 333, 345, 361-364, 386-388, 332,  
381/336

See application file for complete search history.

(56) **References Cited**

**U.S. PATENT DOCUMENTS**

- D276,045 S \* 10/1984 Kawachi ..... D14/215
- D281,067 S \* 10/1985 Katsuno ..... D14/215
- 4,965,837 A \* 10/1990 Murayama et al. .... 381/186
- 6,095,278 A \* 8/2000 Lin ..... 181/148
- D467,906 S 12/2002 Sadatsuki

- D484,492 S \* 12/2003 Welker et al. .... D14/216
- D488,801 S 4/2004 Shindo et al.
- D488,802 S 4/2004 Uehara et al.
- D516,544 S 3/2006 Motoishi
- D519,495 S \* 4/2006 Lum ..... D14/221

**FOREIGN PATENT DOCUMENTS**

GB 2103576 8/2001

\* cited by examiner

*Primary Examiner*—Nanda Bondade

(74) *Attorney, Agent, or Firm*—Rader, Fishman & Grauer PLLC

(57) **CLAIM**

The ornamental design for a speaker, as shown.

**DESCRIPTION**

FIG. 1 is a perspective view of a speaker showing my new design;

FIG. 2 is a front elevational view thereof;

FIG. 3 is a rear elevational view thereof;

FIG. 4 is a left side elevational view thereof;

FIG. 5 is a right side elevational view thereof;

FIG. 6 is a top plan view thereof; and,

FIG. 7 is a bottom plan view thereof.

**1 Claim, 7 Drawing Sheets**

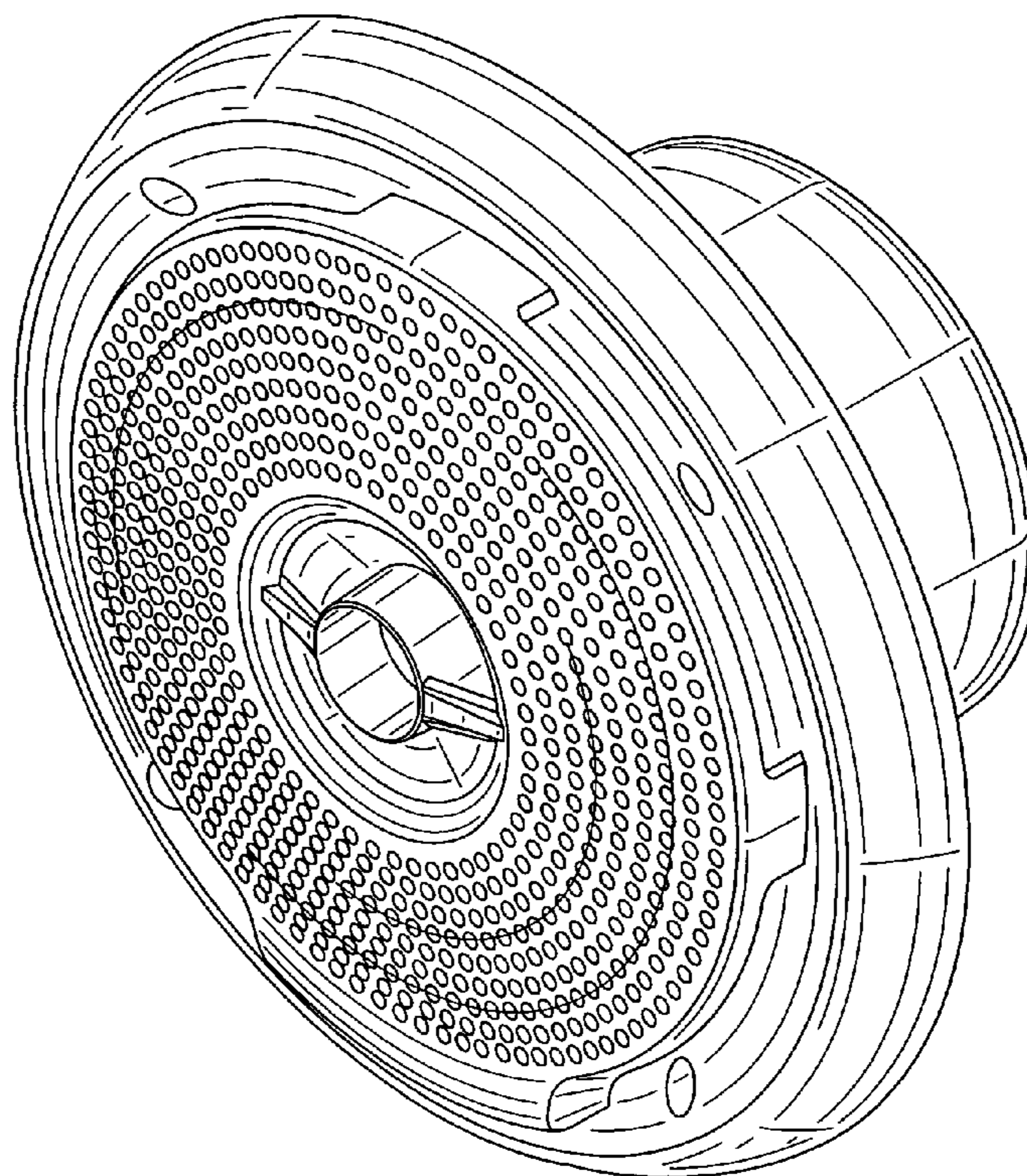


Fig. 1

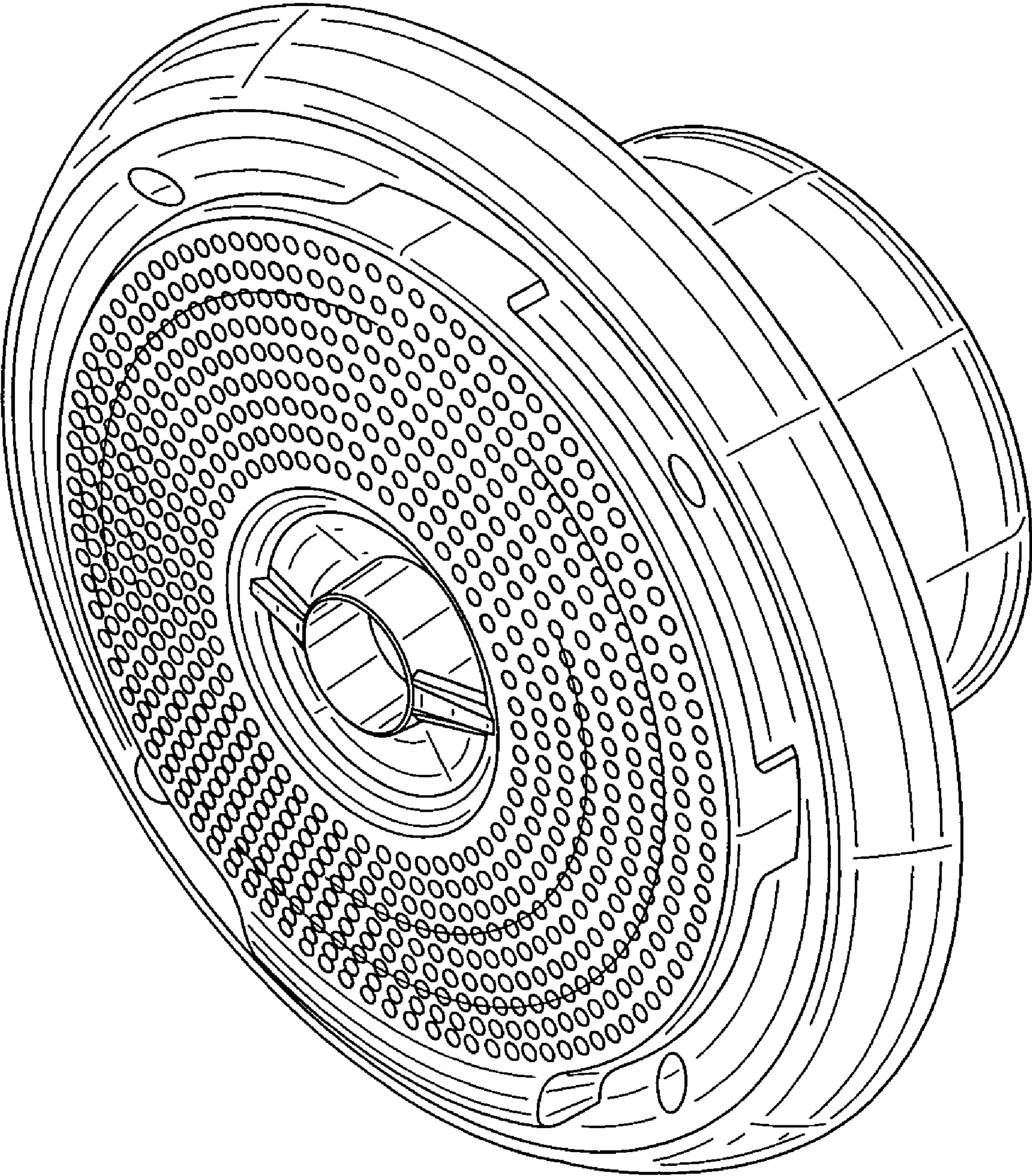




Fig.2

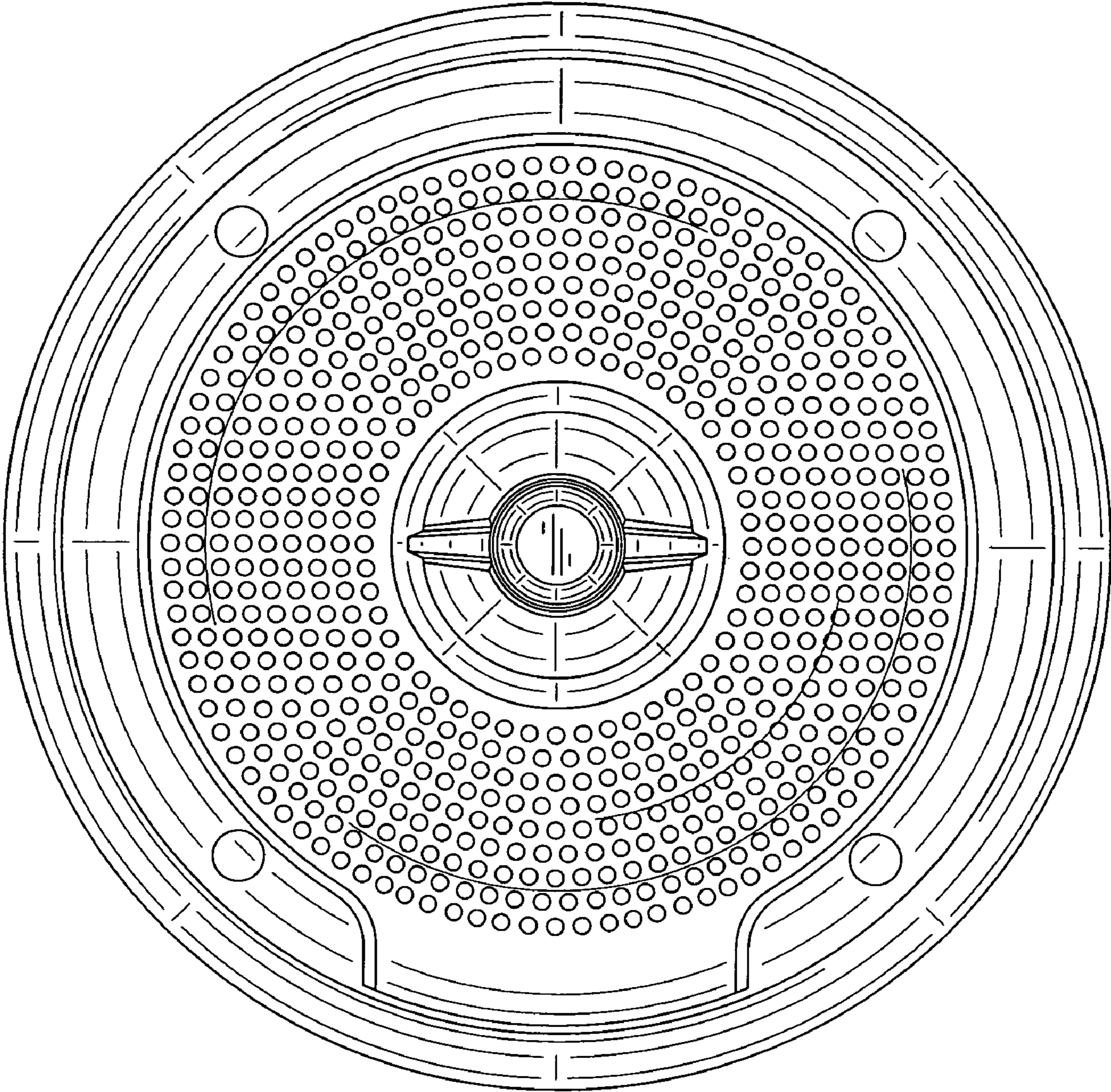


Fig.3

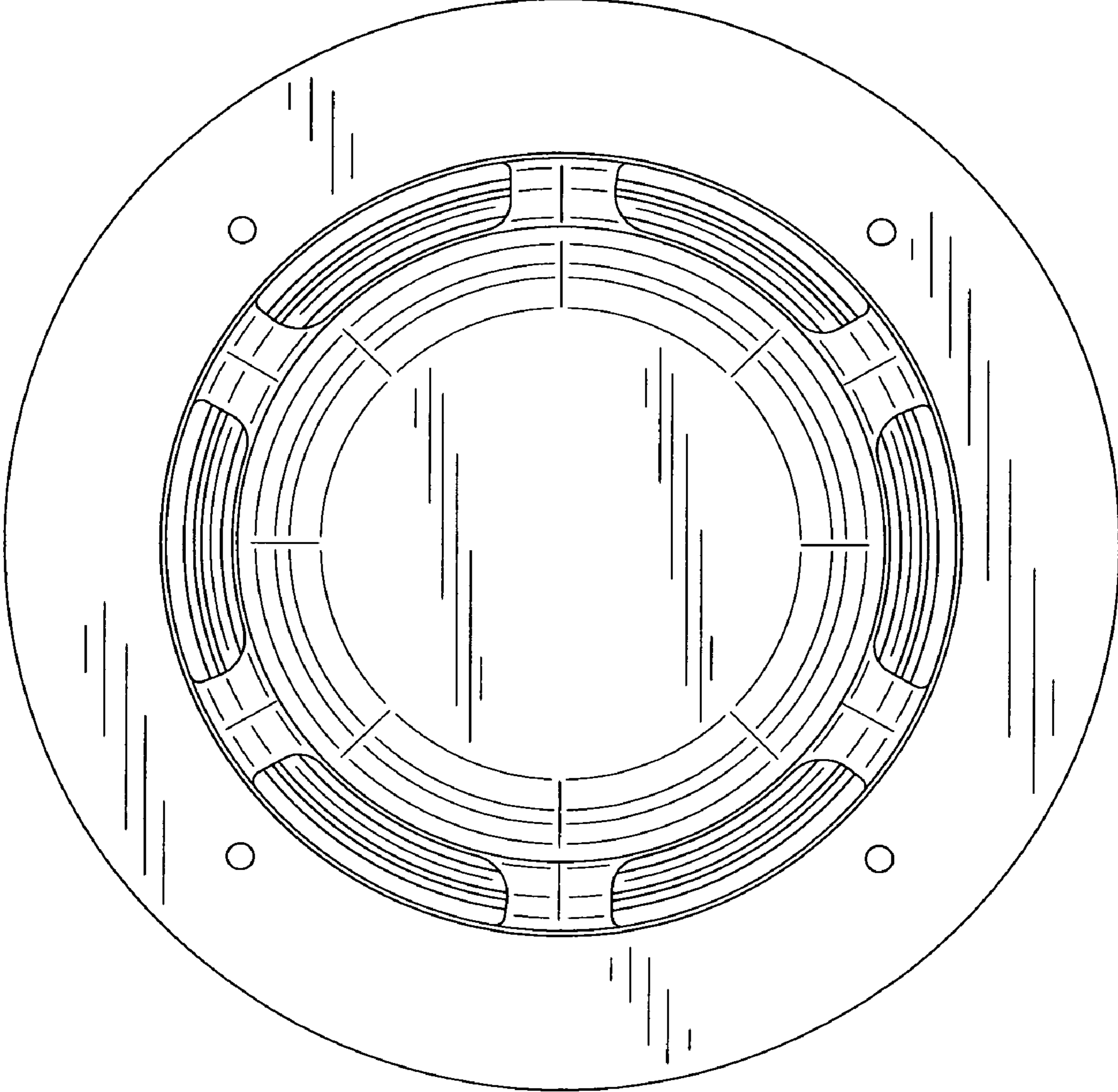


Fig.4

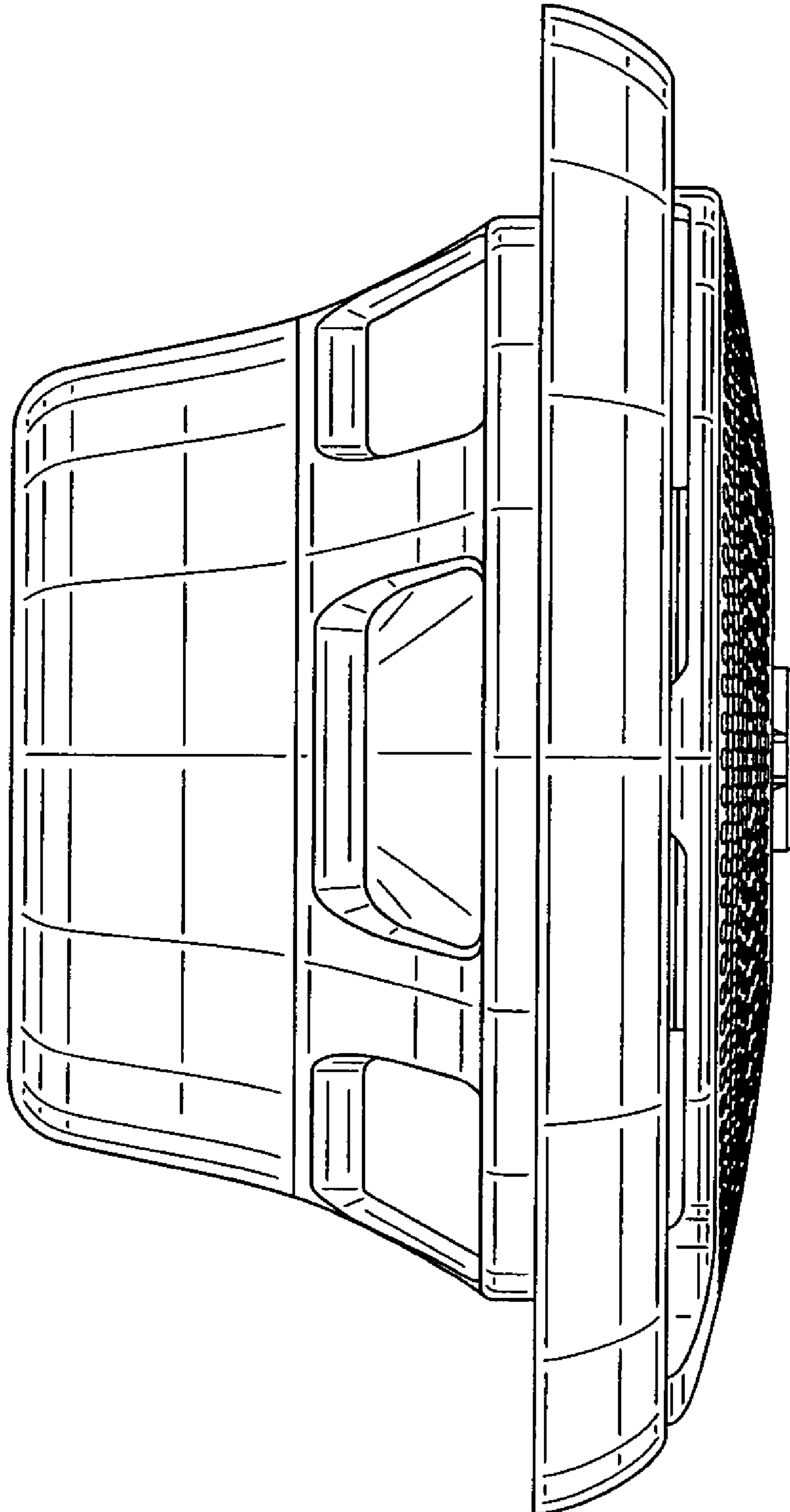


Fig.5

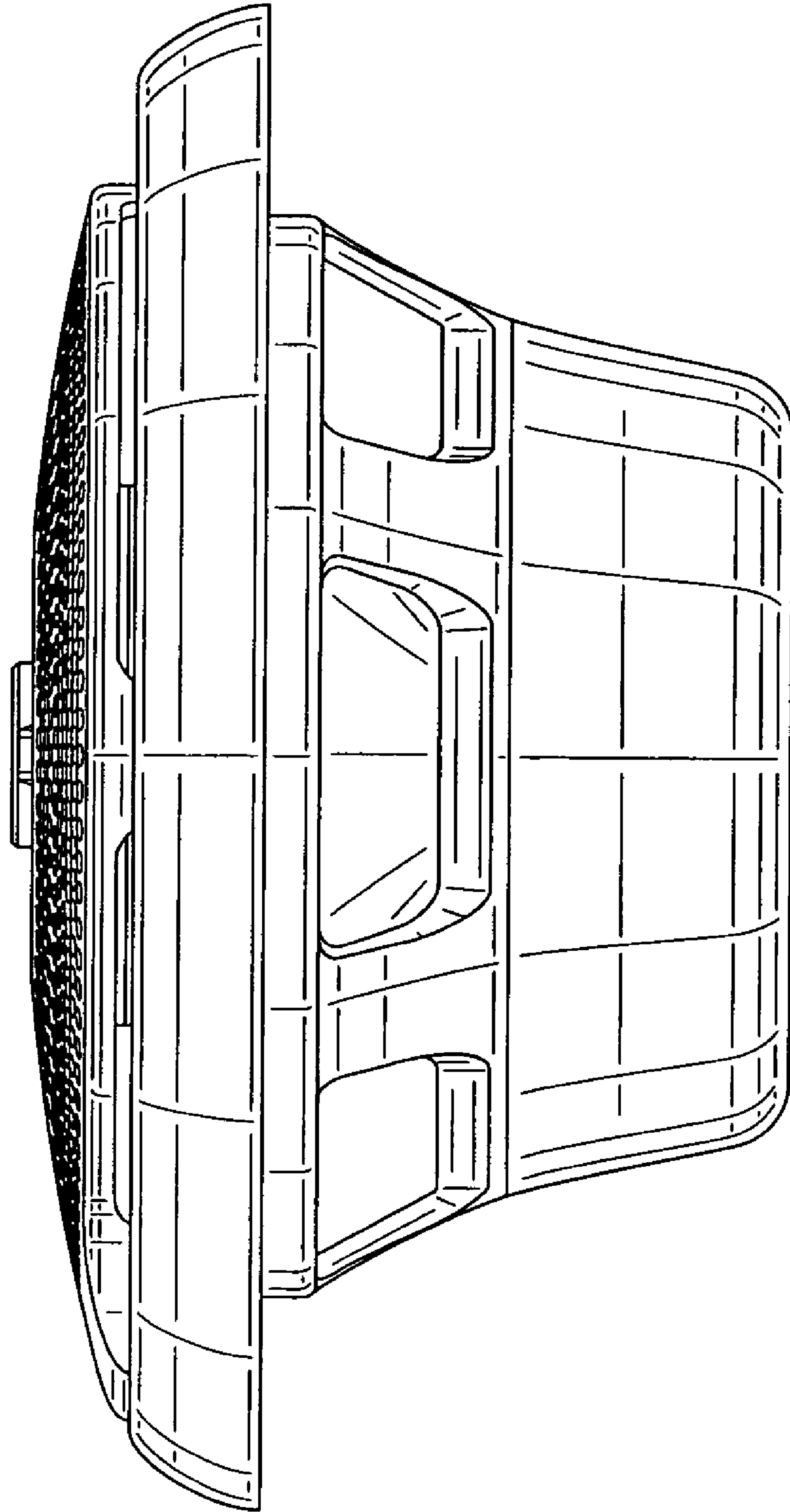




Fig.6

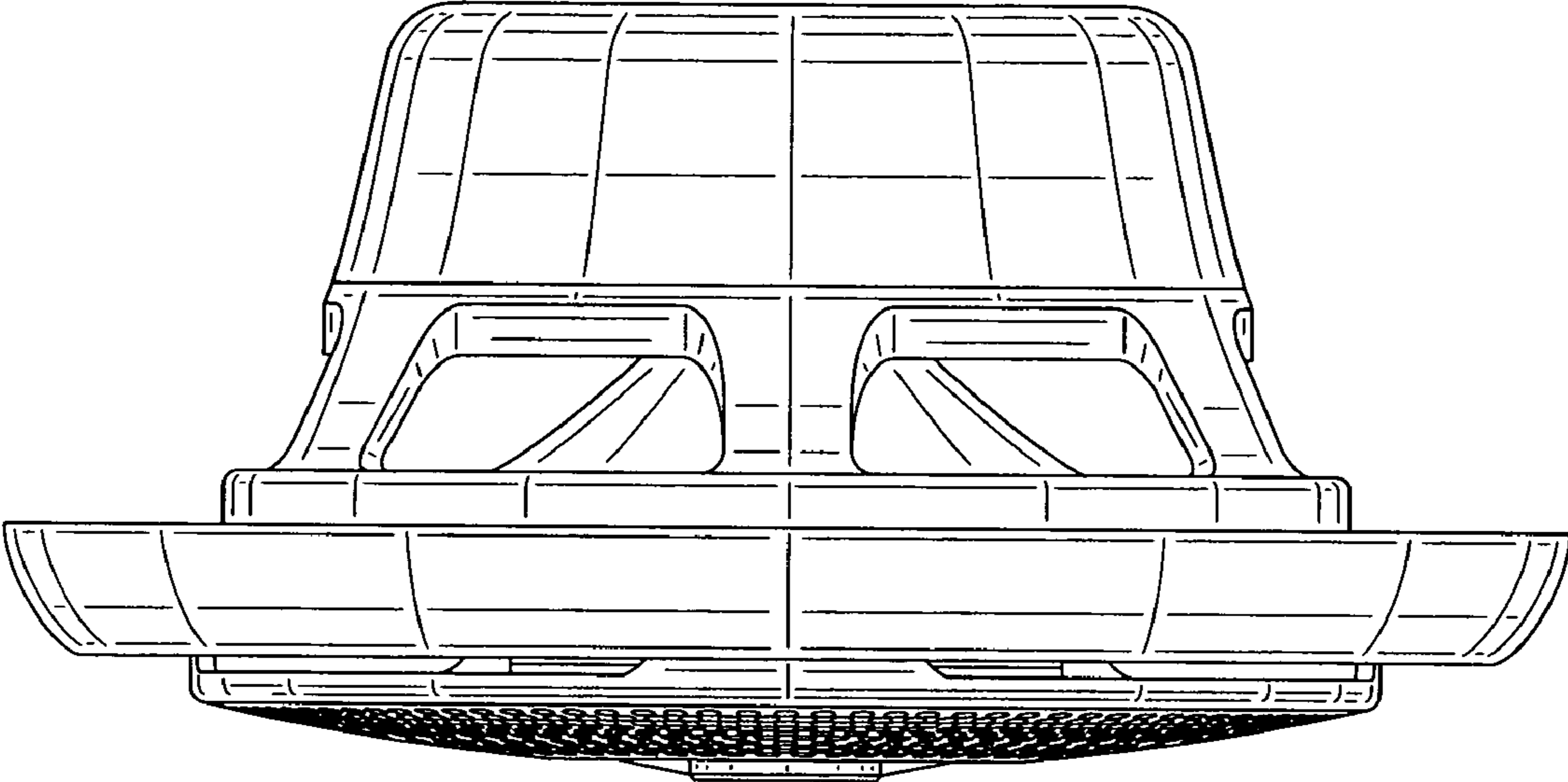


Fig.7

