



US00D550204S

(12) **United States Design Patent**
Kaneda

(10) **Patent No.:** **US D550,204 S**

(45) **Date of Patent:** **** Sep. 4, 2007**

(54) **SPEAKER**

D484,492 S * 12/2003 Welker et al. D14/216
D488,801 S 4/2004 Shindo et al.
D519,495 S * 4/2006 Lum D14/221

(75) Inventor: **Yasuhisa Kaneda**, Tokyo (JP)

(73) Assignee: **Sony Corporation**, Tokyo (JP)

(**) Term: **14 Years**

(21) Appl. No.: **29/259,473**

(22) Filed: **May 10, 2006**

(30) **Foreign Application Priority Data**

Nov. 10, 2005 (EM) 000428628-0001

(51) **LOC (8) Cl.** **14-01**

(52) **U.S. Cl.** **D14/216**

(58) **Field of Classification Search** D14/204,
D14/209-216, 221-222; 181/143-144, 147-148,
181/150, 157, 198-199, 151, 153; 381/300-302,
381/306, 333, 345, 361-364, 386-388, 332,
381/336

See application file for complete search history.

(56) **References Cited**

U.S. PATENT DOCUMENTS

D281,067 S * 10/1985 Katsuno D14/215
4,965,837 A * 10/1990 Murayama et al. 381/186
D467,906 S 12/2002 Sadatsuki

FOREIGN PATENT DOCUMENTS

GB 2103576 8/2001

* cited by examiner

Primary Examiner—Nanda Bondade

(74) *Attorney, Agent, or Firm*—Rader, Fishman & Grauer
PLLC

(57) **CLAIM**

The ornamental design for a speaker, as shown.

DESCRIPTION

FIG. 1 is a perspective view of a speaker showing my new design;

FIG. 2 is a front elevational view thereof;

FIG. 3 is a rear elevational view thereof;

FIG. 4 is a left side elevational view thereof;

FIG. 5 is a right side elevational view thereof;

FIG. 6 is a top plan view thereof; and,

FIG. 7 is a bottom plan view thereof.

1 Claim, 7 Drawing Sheets

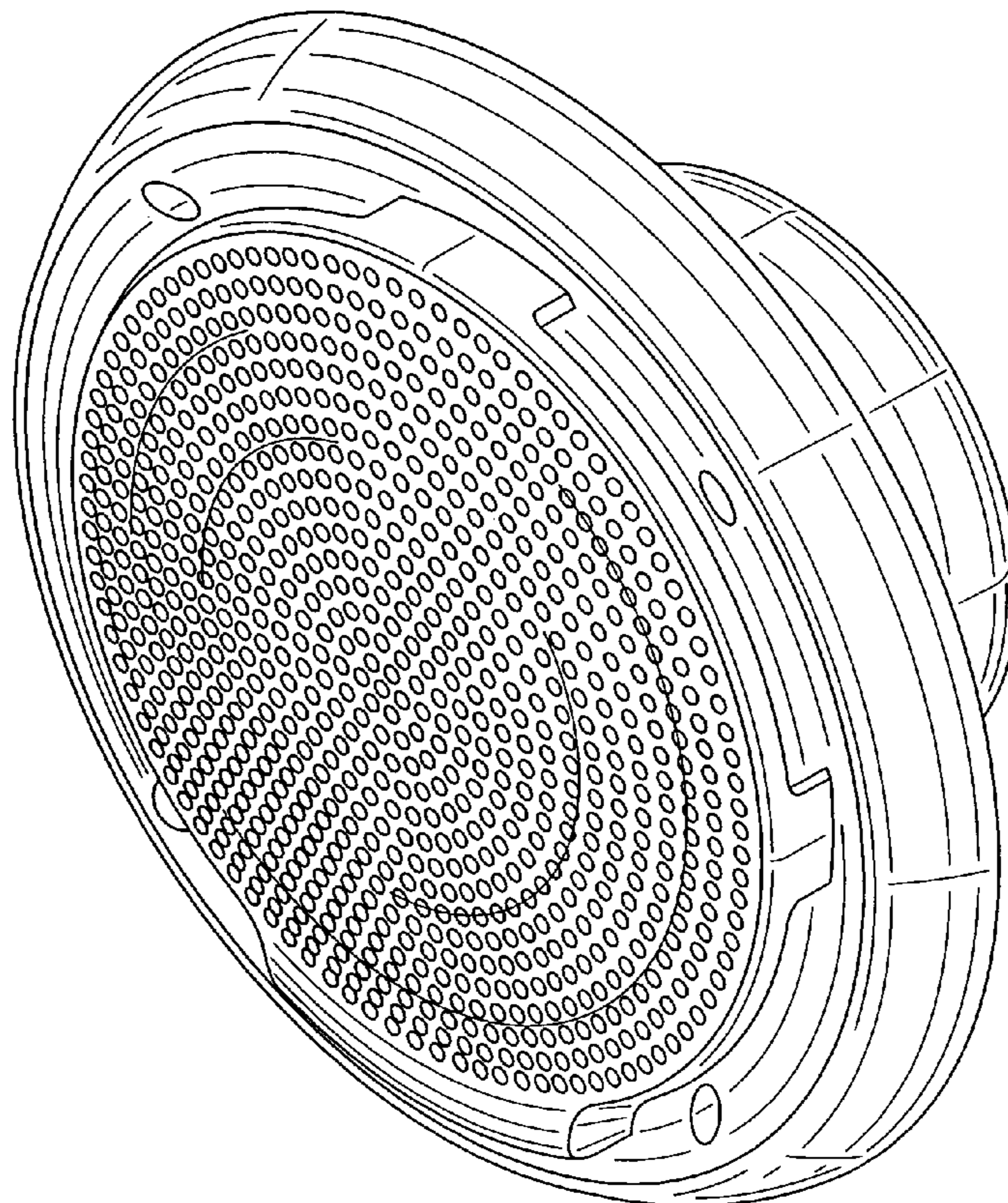


Fig. 1

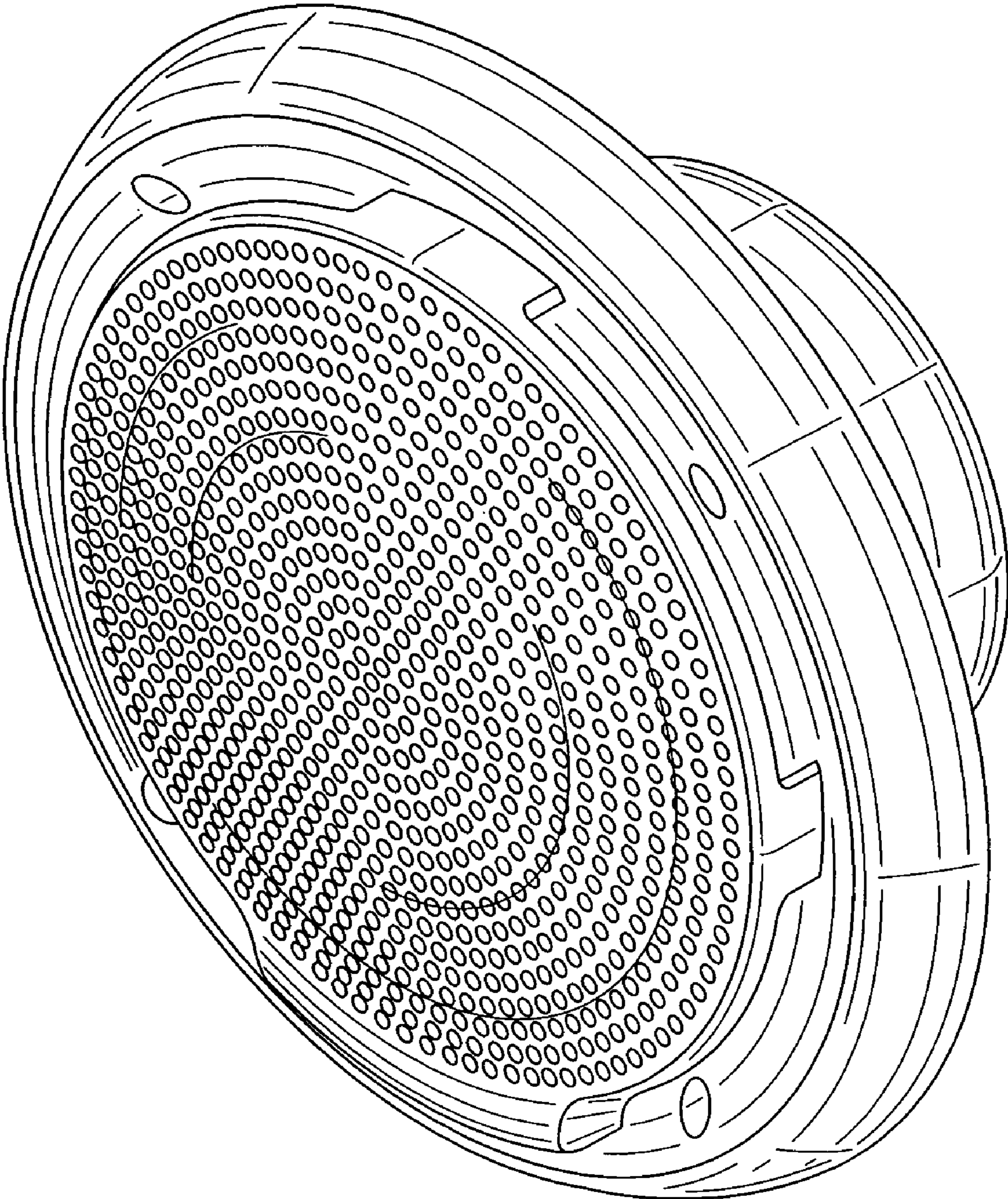


Fig.2

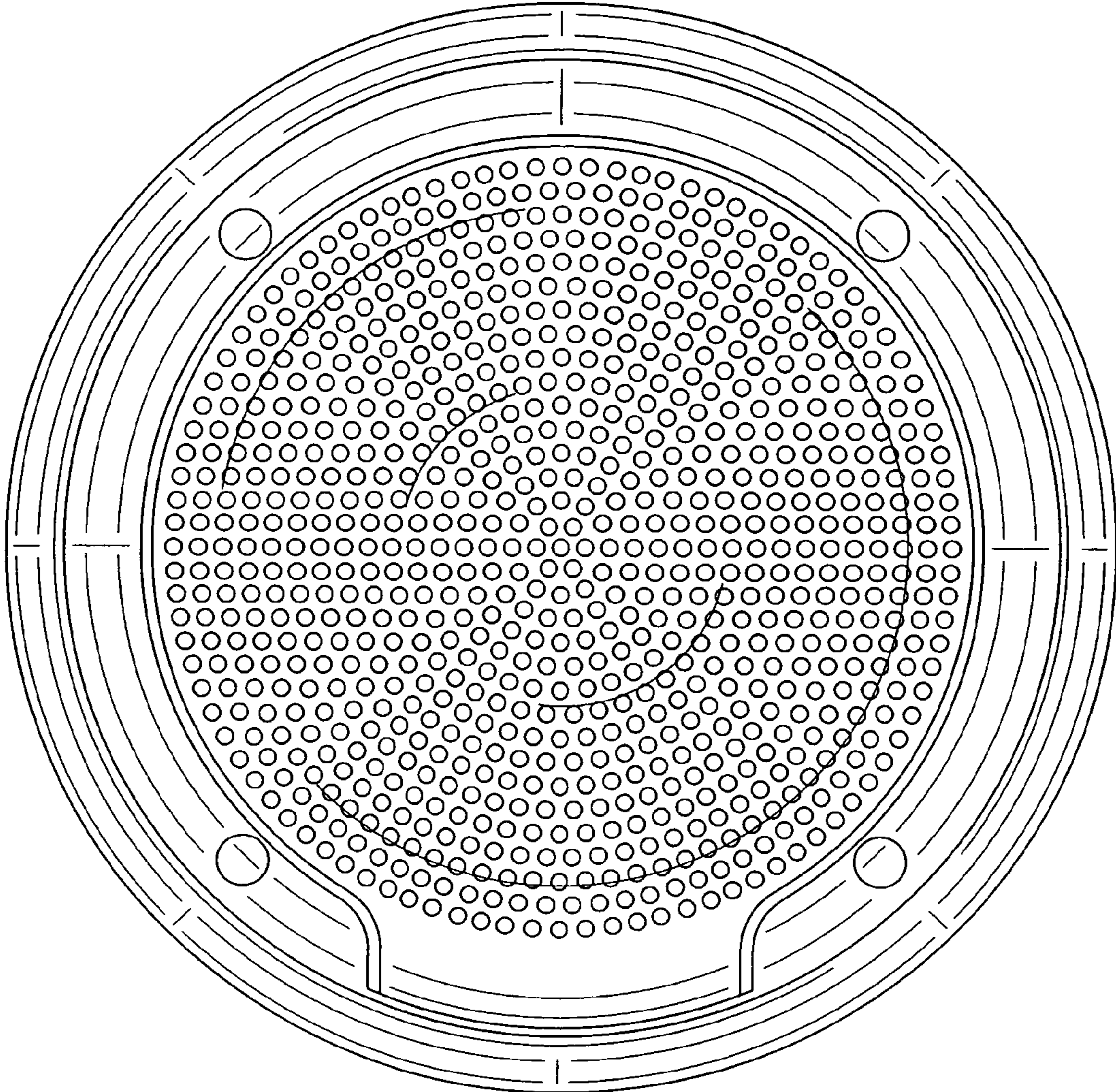


Fig.3

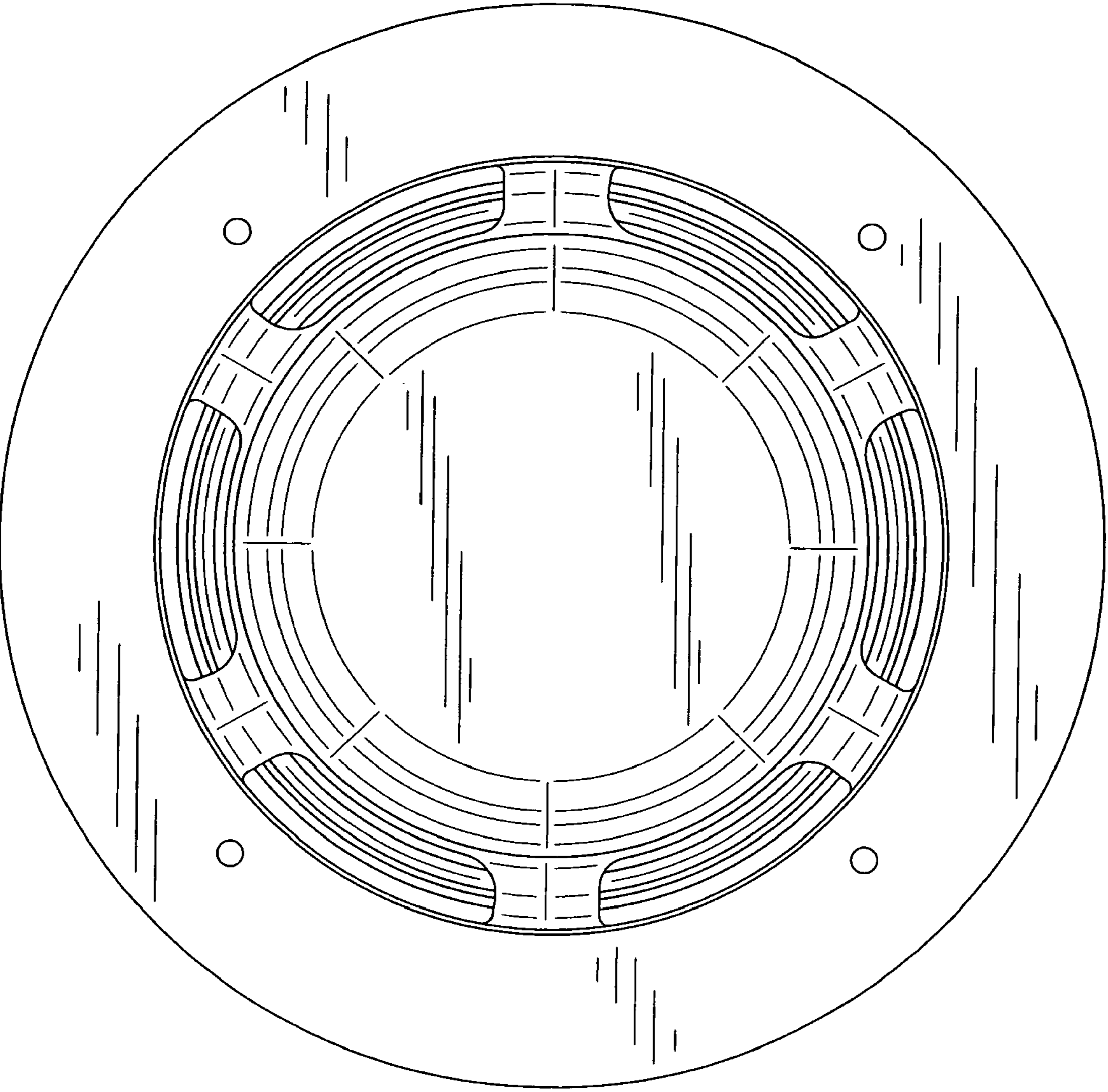


Fig.4

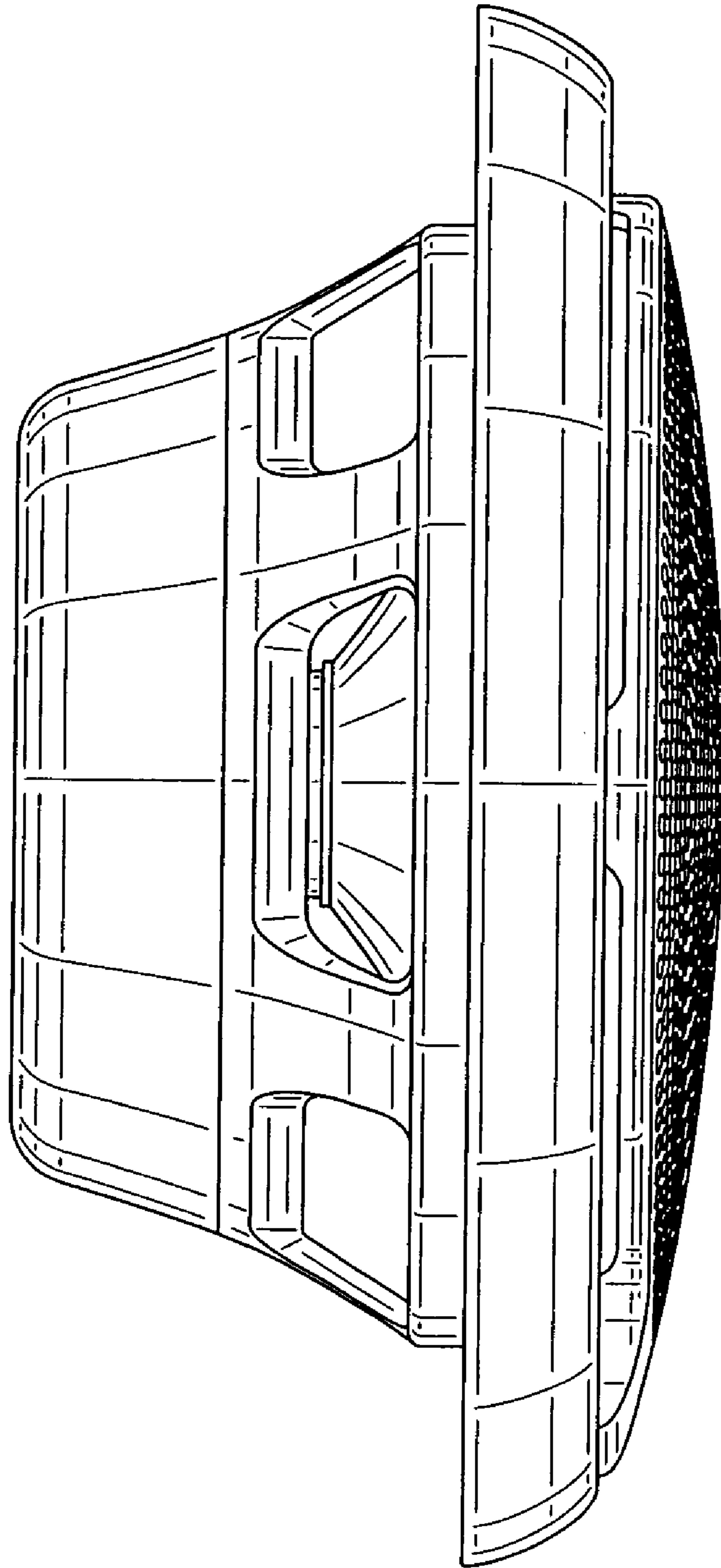


Fig.5

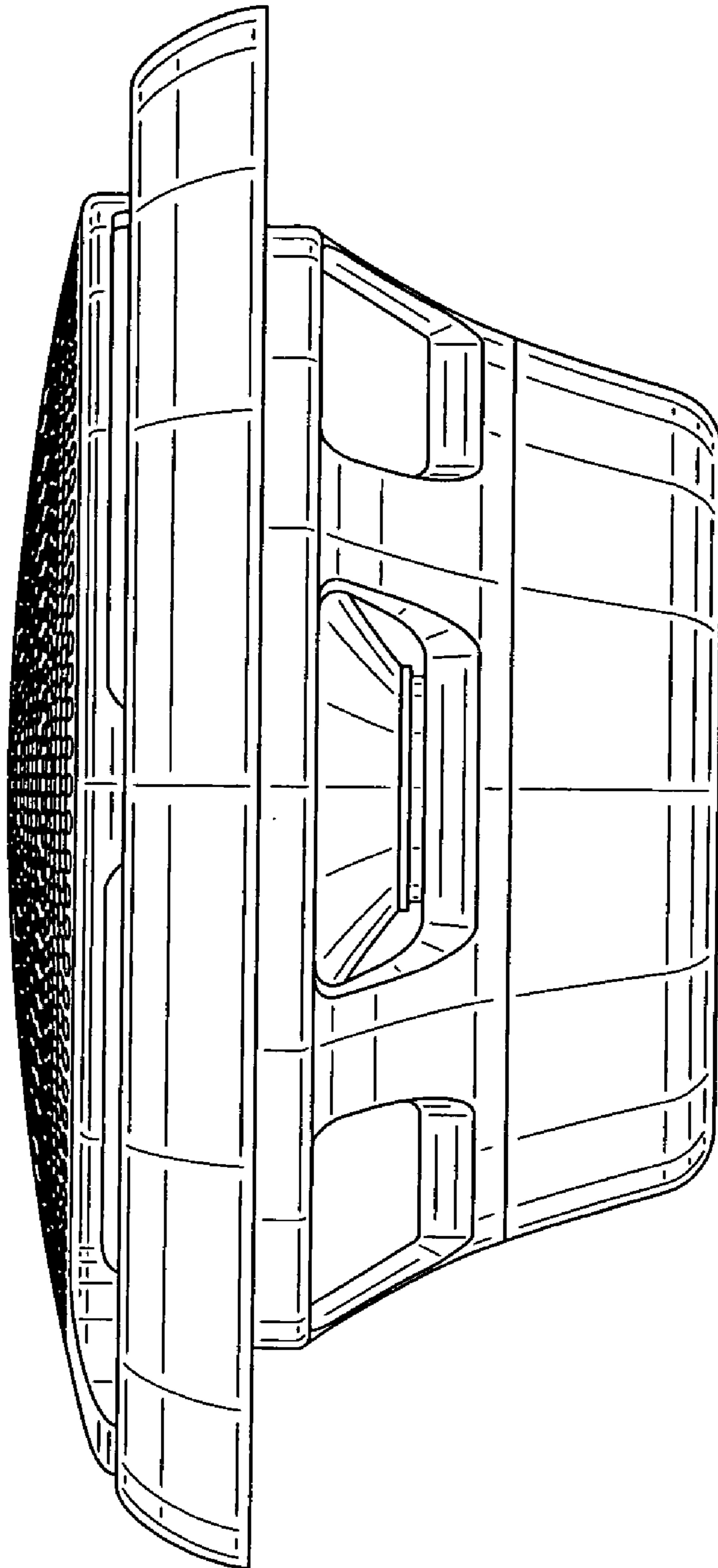


Fig.6

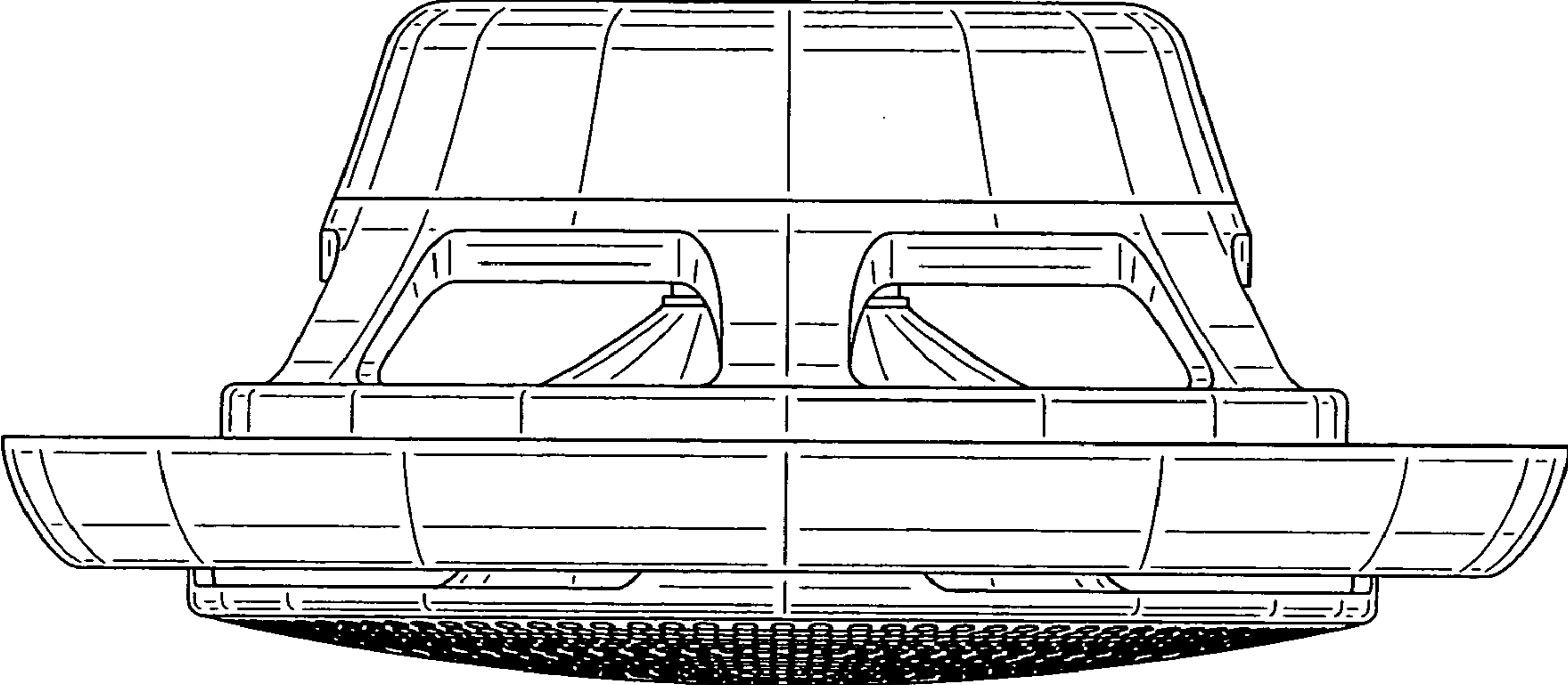


Fig.7

