



US00D550196S

(12) **United States Design Patent**
Griffin et al.

(10) **Patent No.:** **US D550,196 S**

(45) **Date of Patent:** **** Sep. 4, 2007**

(54) **RADIO TRANSMITTER WHICH IS CONNECTABLE TO A COMPUTER OR AN MP3 PLAYER DEVICE**

(75) Inventors: **Paul Griffin**, Nashville, TN (US);
Robert St. Clair Donovan, Franklin, TN (US)

(73) Assignee: **Griffin Technology, Inc.**, Nashville, TN (US)

(**) Term: **14 Years**

(21) Appl. No.: **29/267,486**

(22) Filed: **Oct. 16, 2006**

(51) **LOC (8) Cl.** **14-03**

(52) **U.S. Cl.** **D14/155**

(58) **Field of Classification Search** D14/358,
D14/299, 248, 240, 218, 191, 188, 162, 155,
D14/137, 226; D13/168, 110, 144; D10/121,
D10/104, 106; 439/668; 455/353, 351
See application file for complete search history.

(56) **References Cited**

U.S. PATENT DOCUMENTS

4,484,158	A	*	11/1984	Roberts et al.	333/191
D415,123	S	*	10/1999	Murphy	D14/311
D420,665	S	*	2/2000	Rosenberg et al.	D14/188
D446,143	S	*	8/2001	Kliegman et al.	D10/104
D446,499	S	*	8/2001	Andre et al.	D13/110
D453,324	S	*	2/2002	Sawai	D13/165

D454,110	S	*	3/2002	Andre et al.	D13/110
D484,497	S	*	12/2003	Alviar et al.	D14/240
D515,545	S	*	2/2006	Griffin	D14/155
D531,623	S	*	11/2006	Griffin	D14/230
D532,776	S	*	11/2006	Griffin	D14/218
D535,972	S	*	1/2007	Griffin	D14/155
D536,695	S	*	2/2007	Griffin	D14/230

* cited by examiner

Primary Examiner—Cathron C. Brooks

Assistant Examiner—Austin Murphy

(74) *Attorney, Agent, or Firm*—Michael E. McKee

(57) **CLAIM**

The ornamental design for a radio transmitter which is connectable to a computer or an MP3 player device, as shown and described.

DESCRIPTION

FIG. 1 is a perspective view of a radio transmitter which is connectable to a computer or an MP3 showing my new design;

FIG. 2 is top view thereof;

FIG. 3 is a front view thereof as seen from above in FIG. 2;

FIG. 4 is a back view thereof as seen from below in FIG. 2;

FIG. 5 is a side elevational view thereof as seen from the right in FIG. 4; and,

FIG. 6 is a side elevational view thereof as seen from the left in FIG. 4.

1 Claim, 2 Drawing Sheets

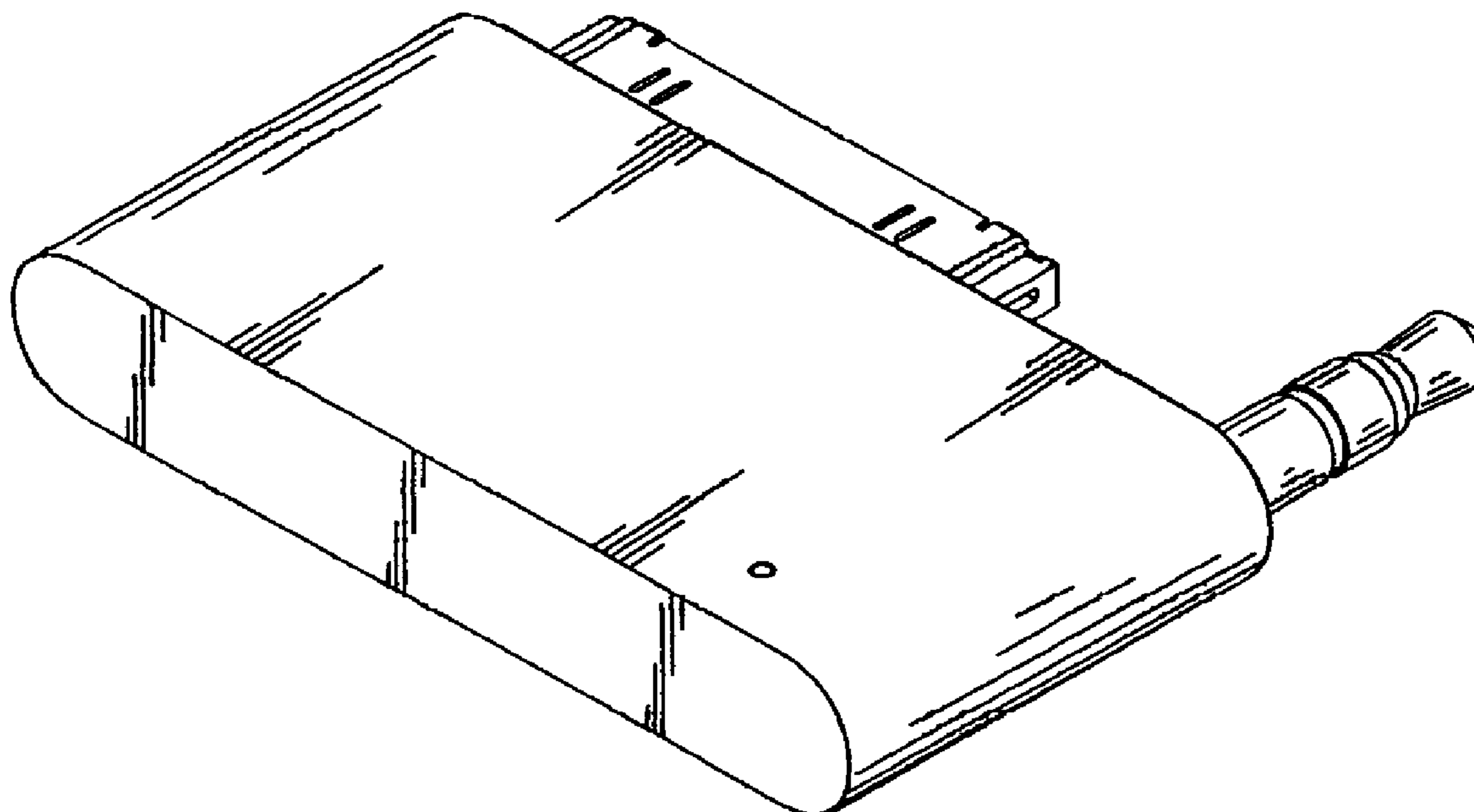


FIG. 1

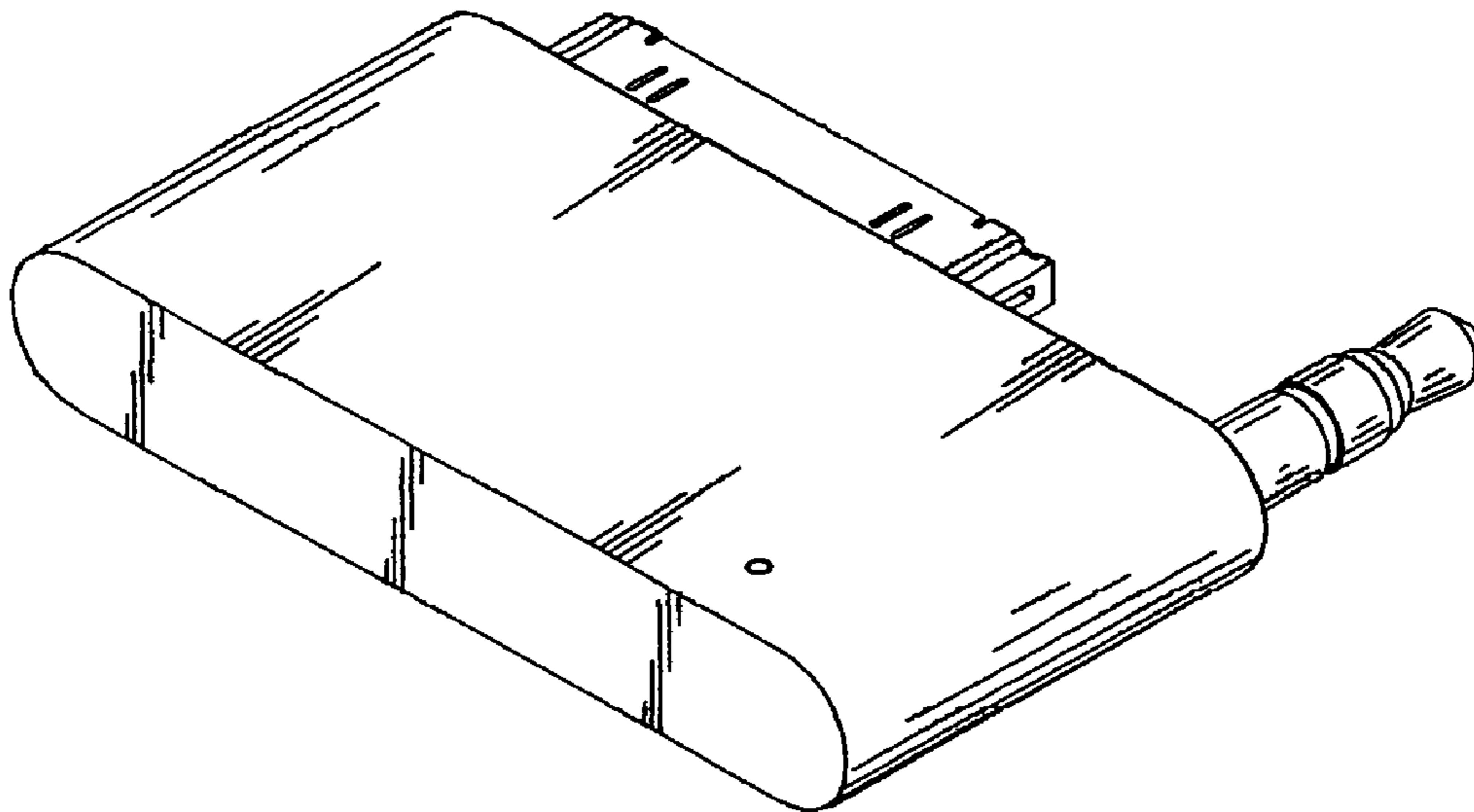


FIG. 2

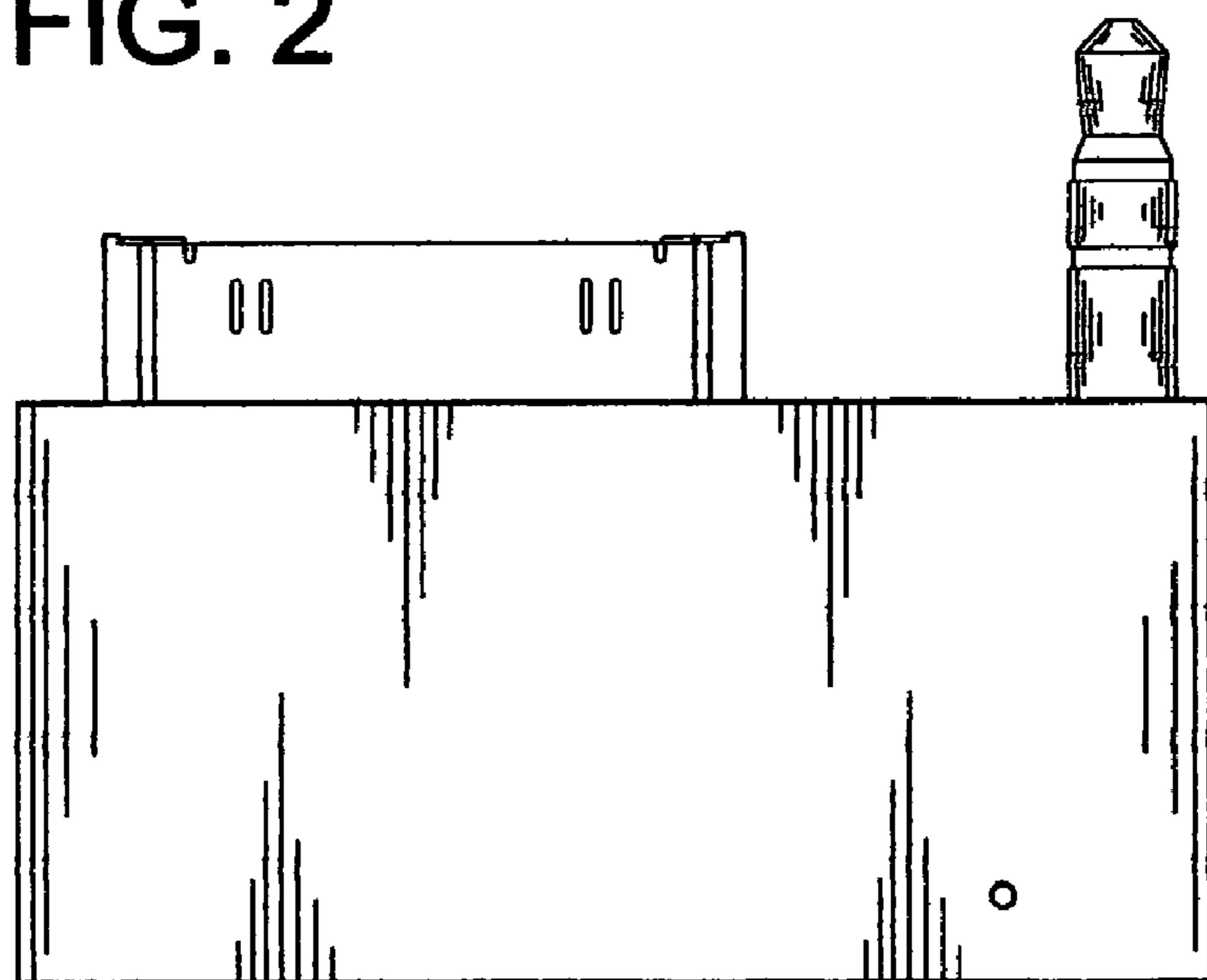


FIG. 3

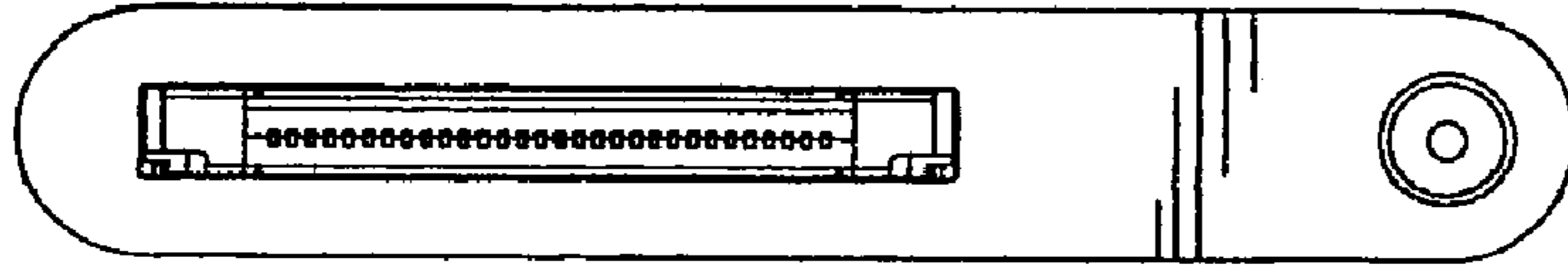


FIG. 4

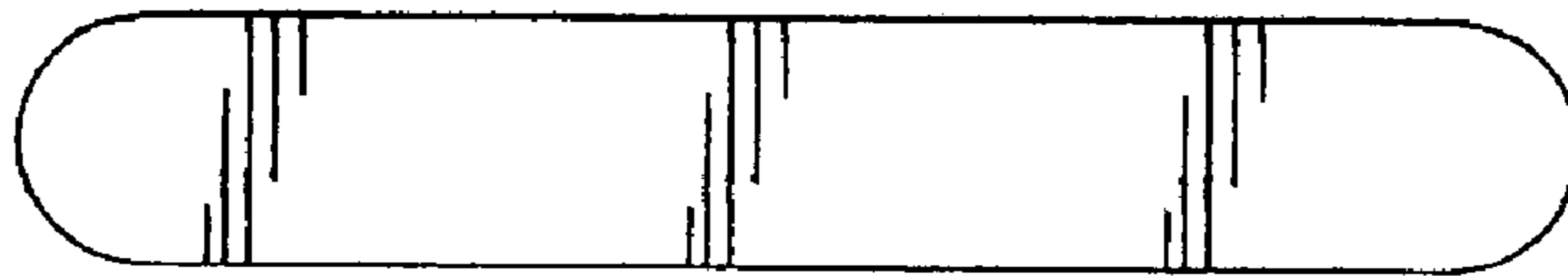


FIG. 5

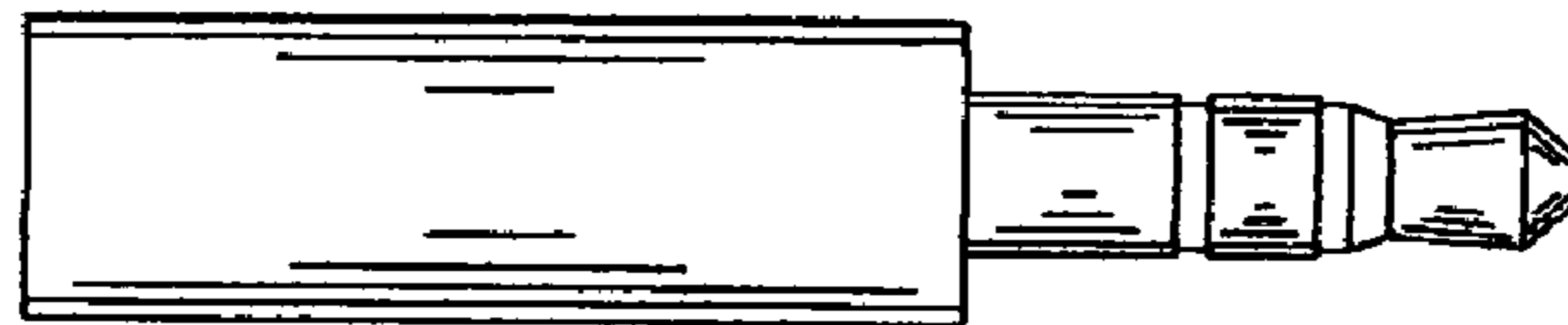


FIG. 6

