



US00D550195S

(12) **United States Design Patent** (10) **Patent No.:** **US D550,195 S**  
**Ju** (45) **Date of Patent:** **\*\* Sep. 4, 2007**

(54) **TELEPHONE**

(75) Inventor: **Tai-Hyung Ju**, Seoul (KR)  
(73) Assignee: **Samsung Electronics Co., Ltd.**,  
Kyunggi-do (KR)  
(\*\*) Term: **14 Years**  
(21) Appl. No.: **29/256,664**  
(22) Filed: **Mar. 23, 2006**

(51) **LOC (8) Cl.** ..... **14-03**  
(52) **U.S. Cl.** ..... **D14/151**  
(58) **Field of Classification Search** ..... D14/125-130,  
D14/140-140.1, 142, 144, 140.7-140.11,  
D14/149-151, 240, 248; 379/419, 420.01,  
379/434-436, 428.01-428.04, 440-442,  
379/454-455, 88.17, 90.01, 93.17; 382/103;  
455/566

See application file for complete search history.

(56) **References Cited**

**U.S. PATENT DOCUMENTS**

4,782,522 A \* 11/1988 Kramer et al. .... 379/368  
D332,263 S \* 1/1993 Taniguchi ..... D14/151  
D345,358 S \* 3/1994 Hillenmayer et al. .... D14/151  
5,412,417 A \* 5/1995 Tozuka ..... 348/14.01  
D363,285 S \* 10/1995 Vessey et al. .... D14/151  
D375,094 S \* 10/1996 Toh ..... D14/151  
D398,302 S \* 9/1998 Lio ..... D14/130  
D410,005 S \* 5/1999 Landry et al. .... D14/151  
D490,394 S \* 5/2004 Taniguchi et al. .... D14/151  
D499,078 S \* 11/2004 Abe et al. .... D14/151  
D511,761 S \* 11/2005 Robinson et al. .... D14/151  
D534,512 S \* 1/2007 Kim ..... D14/130  
2003/0214573 A1 \* 11/2003 Oh ..... 348/14.01

**OTHER PUBLICATIONS**

“Diva—i300 Video Phone”, 1 p including photo, [online],  
<URL:http://www.allproducts.com/manufacture98/divaccess/prod-  
uct1.html#>, site visited Apr. 26, 2007.\*  
“CU751C Video Phone”, 2 p including photos, [online],  
<URL:http://www.allproducts.com/communication/umec/  
videophone.html>, site visited Apr. 26, 2007.\*  
U.S. Appl. No. 29/256,663, Applicant: Chul-Yong Cho, et al., filed  
Mar. 23, 2006 entitled KEYPHONE.

\* cited by examiner

*Primary Examiner*—Jeffrey D. Asch  
*Assistant Examiner*—Carla Jobe Wright  
(74) *Attorney, Agent, or Firm*—Flynn, Thiel, Boutell &  
Tanis, P.C.

(57) **CLAIM**

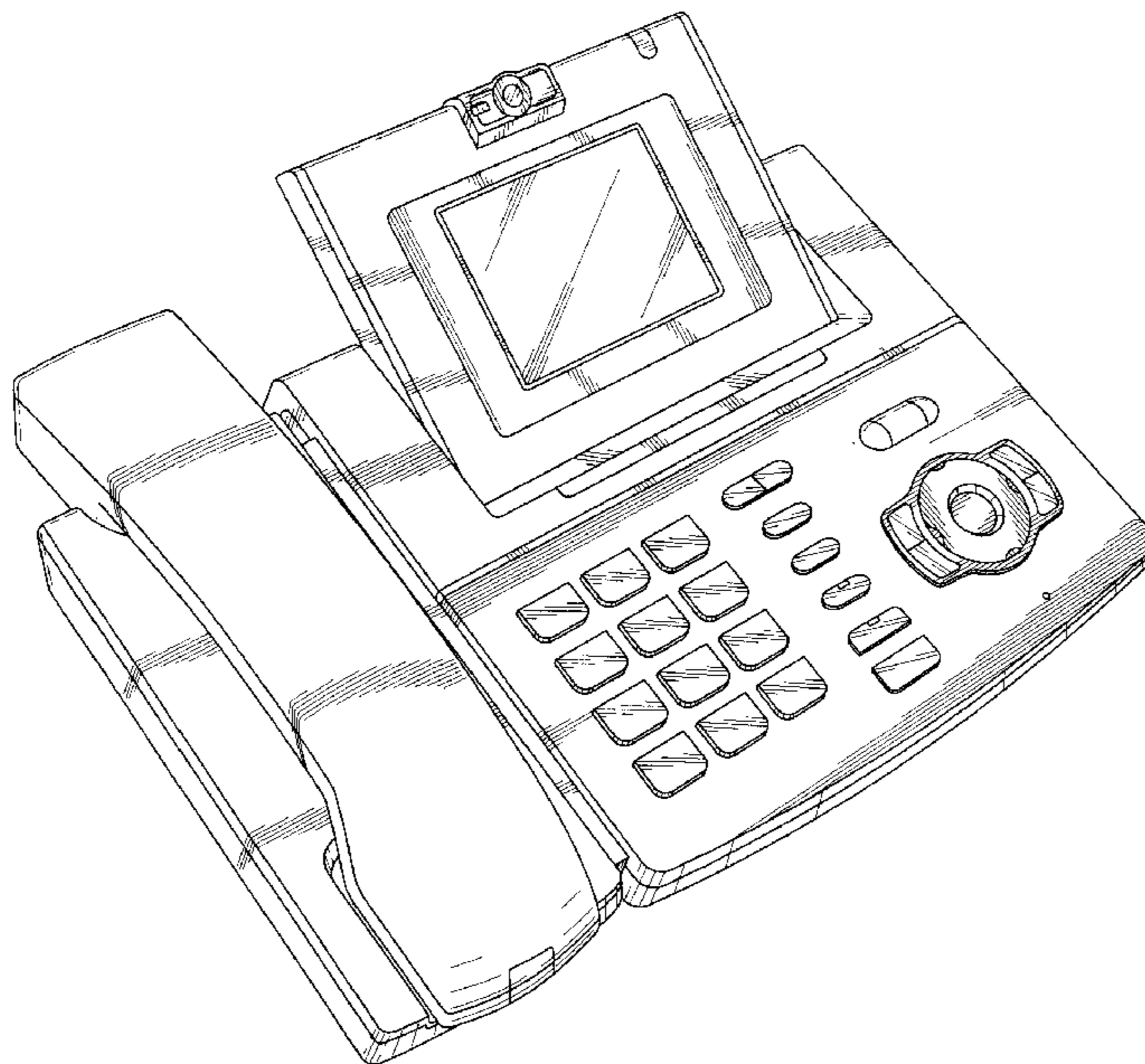
The ornamental design for a telephone, as shown and  
described.

**DESCRIPTION**

FIG. 1 is a top front perspective view of a telephone showing  
my new design;  
FIG. 2 is a front elevational view thereof;  
FIG. 3 is a rear elevational view thereof;  
FIG. 4 is a left side elevational view thereof;  
FIG. 5 is a right side elevational view thereof;  
FIG. 6 is a top plan view thereof; and,  
FIG. 7 is a bottom plan view thereof.

The broken line showing of environmental structures is for  
illustrative purposes only and forms no part of the claimed  
design.

**1 Claim, 4 Drawing Sheets**



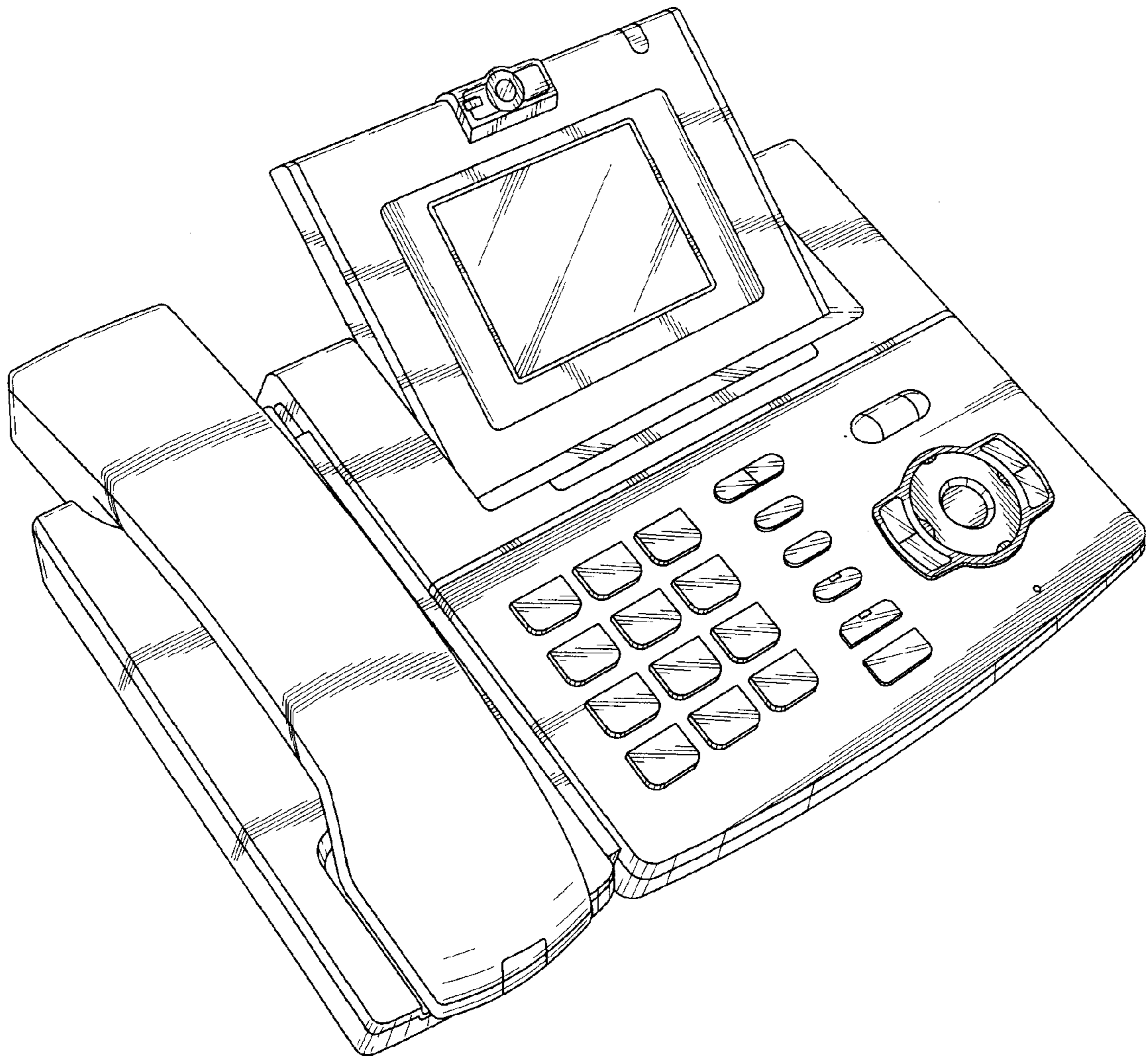


FIG. 1

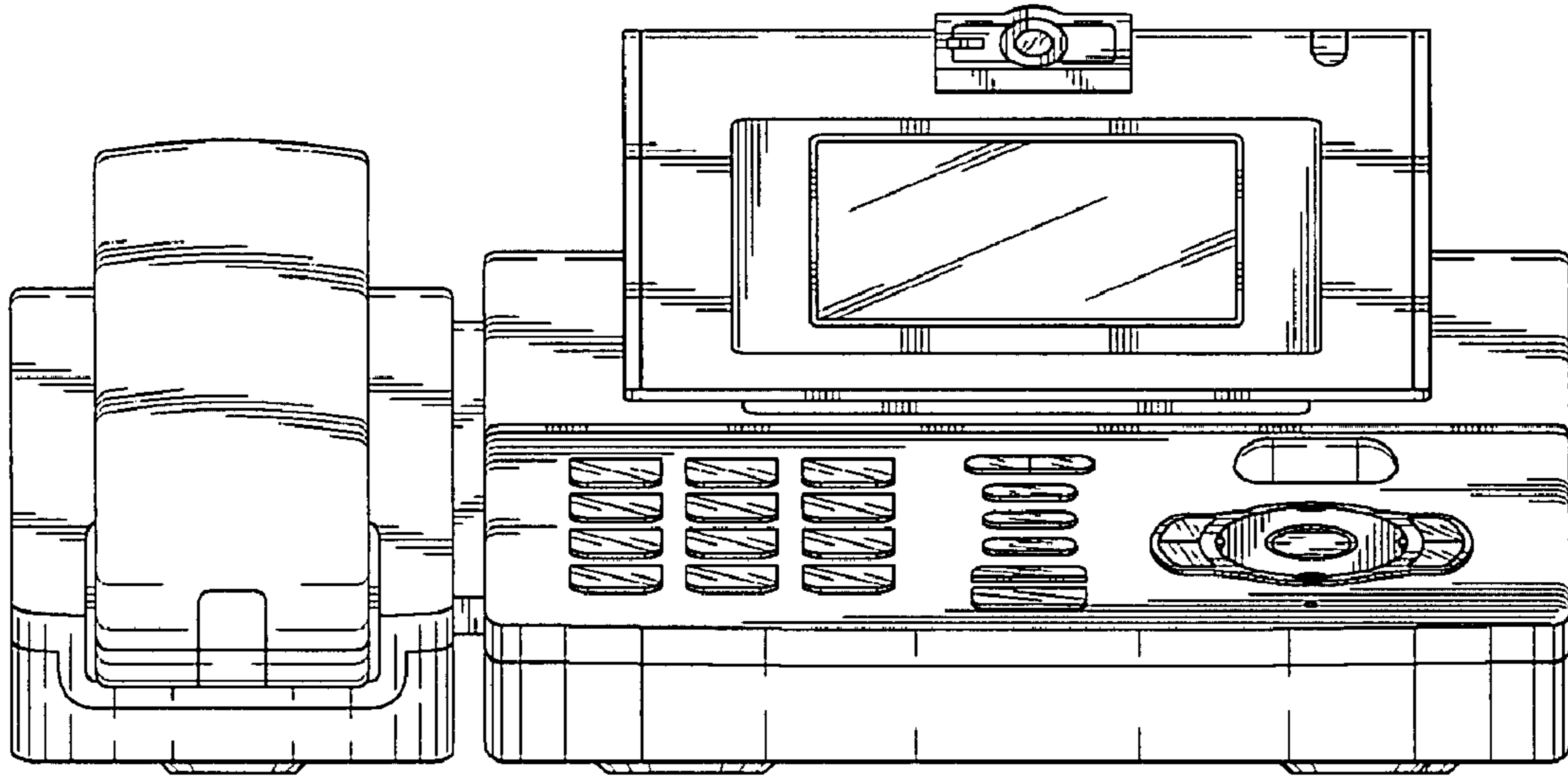


FIG. 2

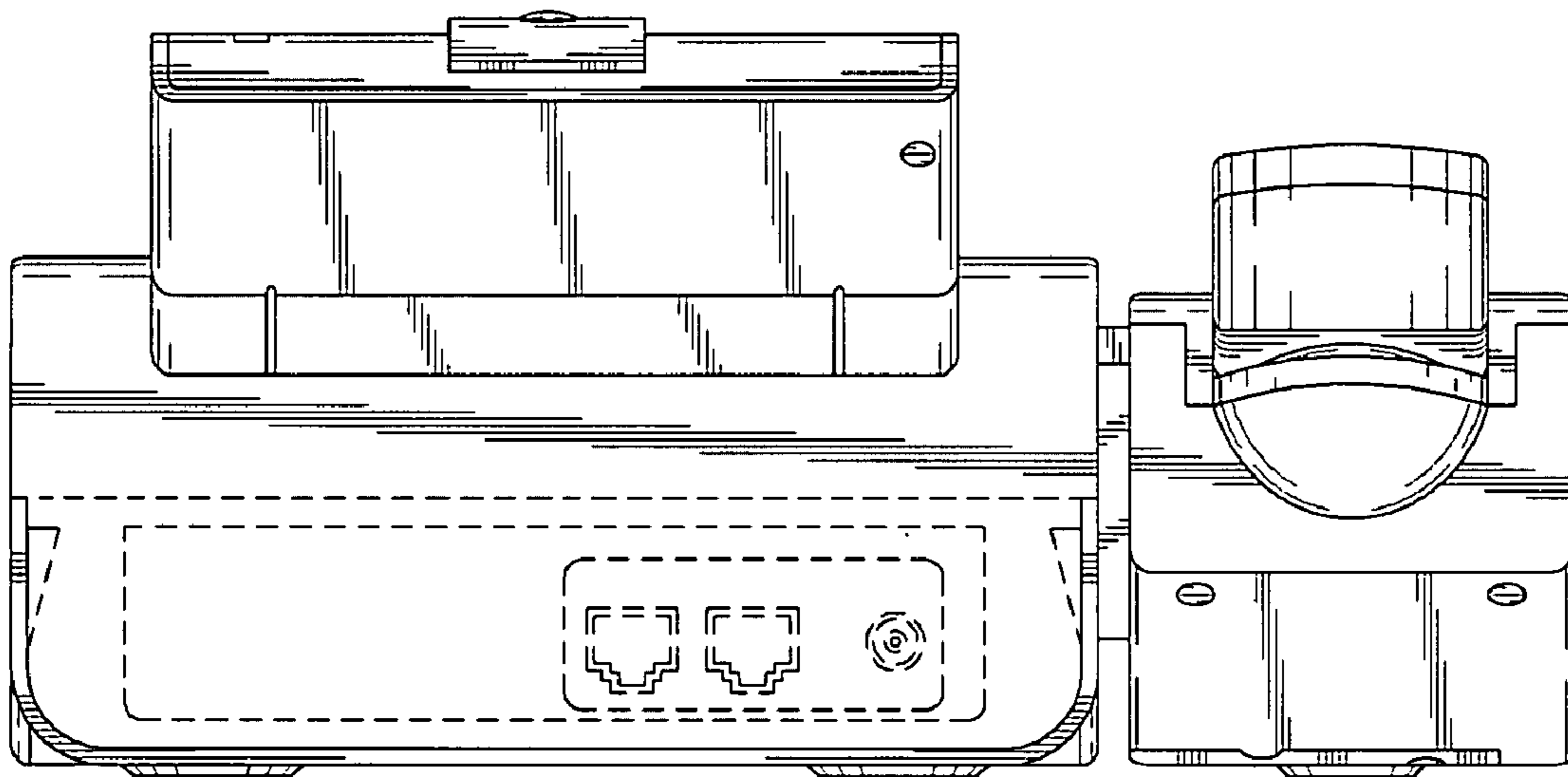


FIG. 3

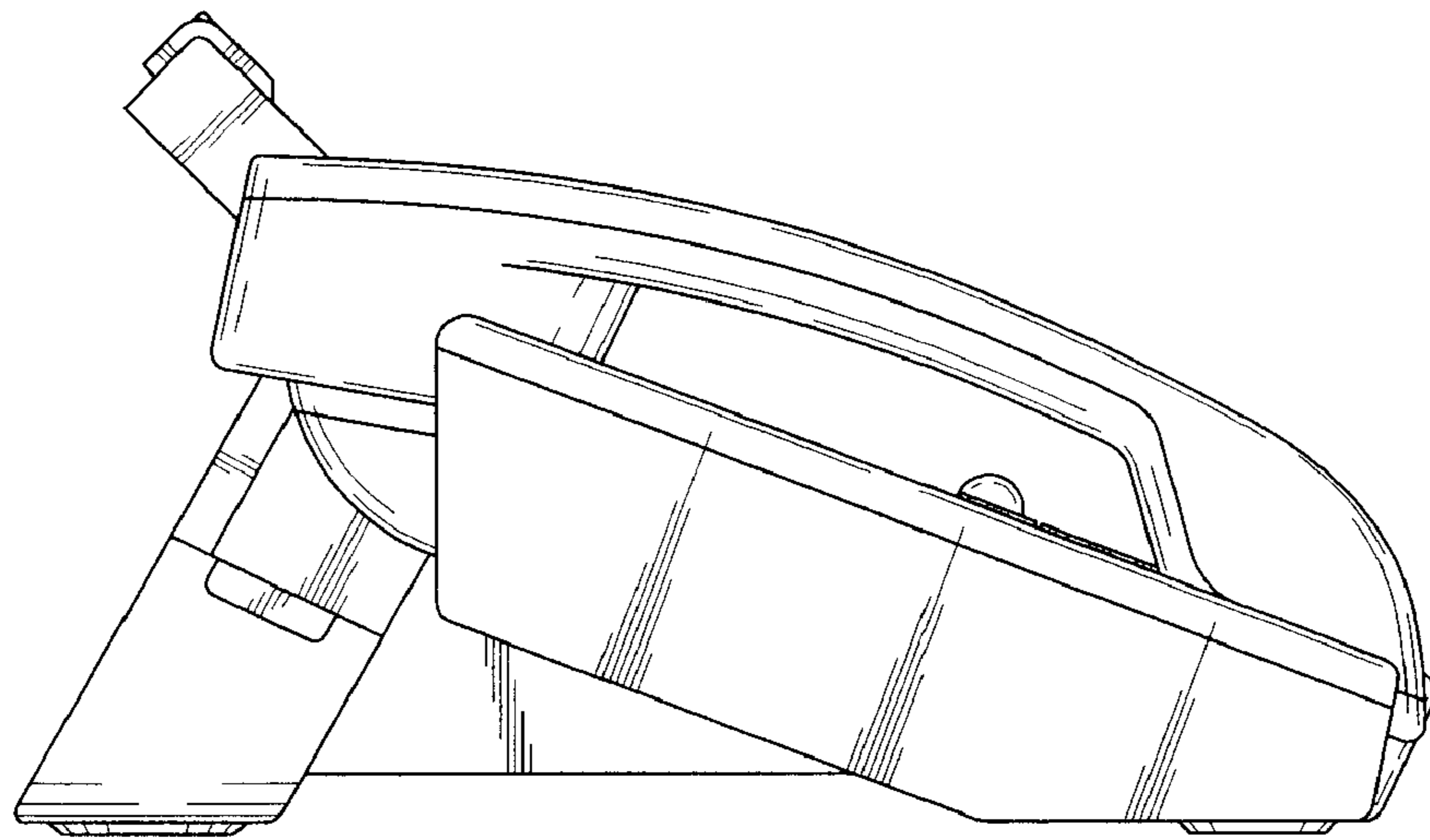


FIG. 4

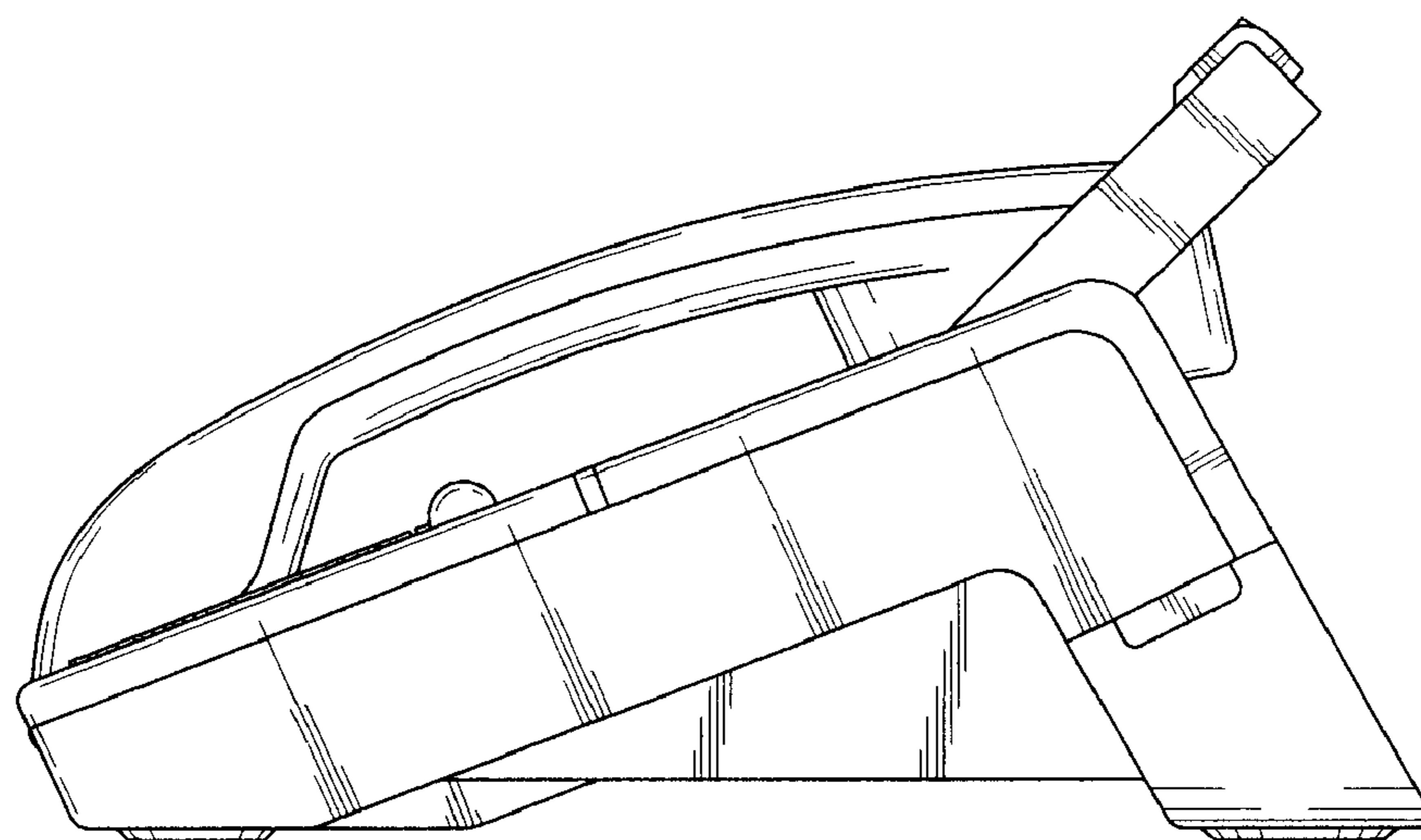


FIG. 5

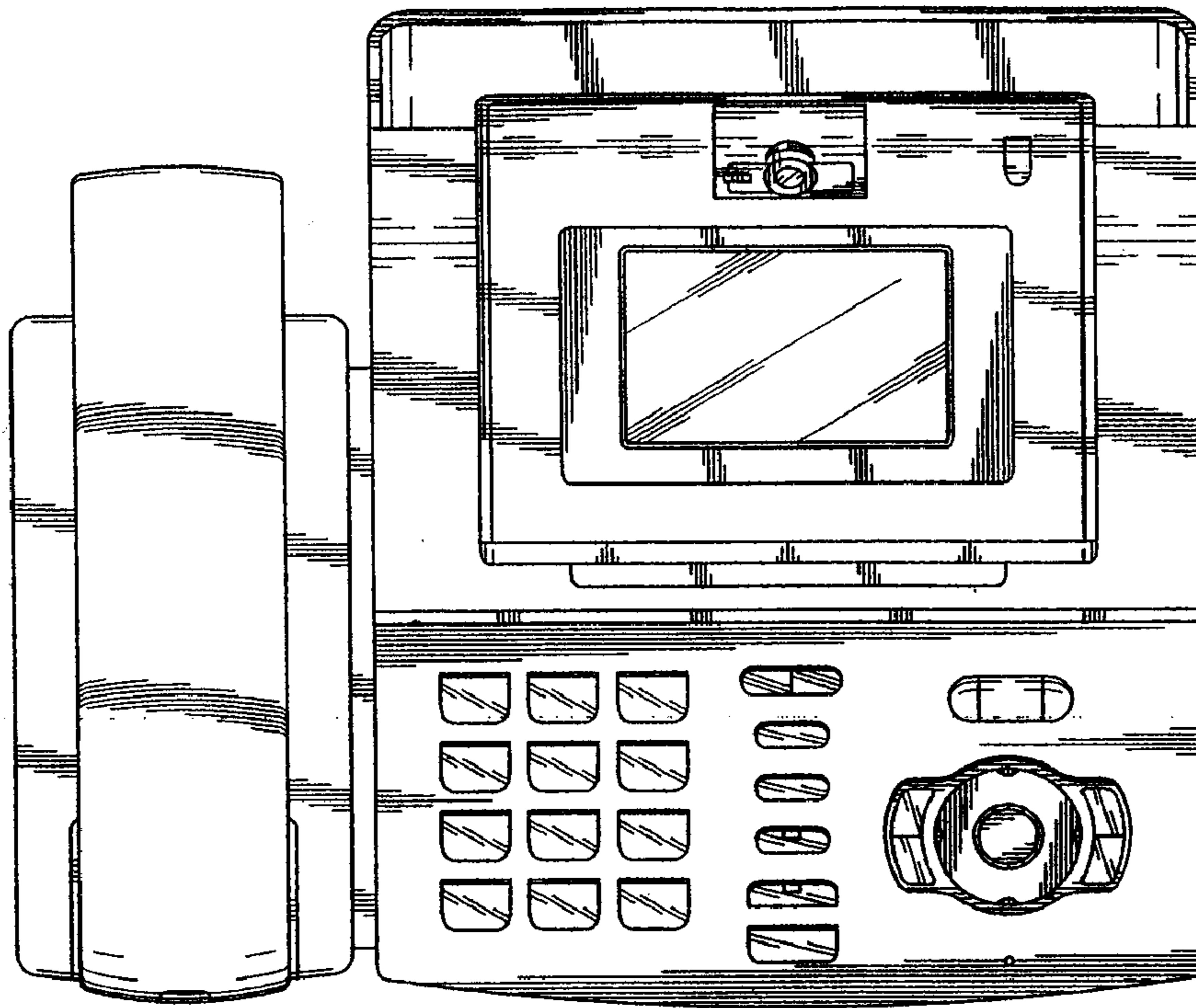


FIG. 6

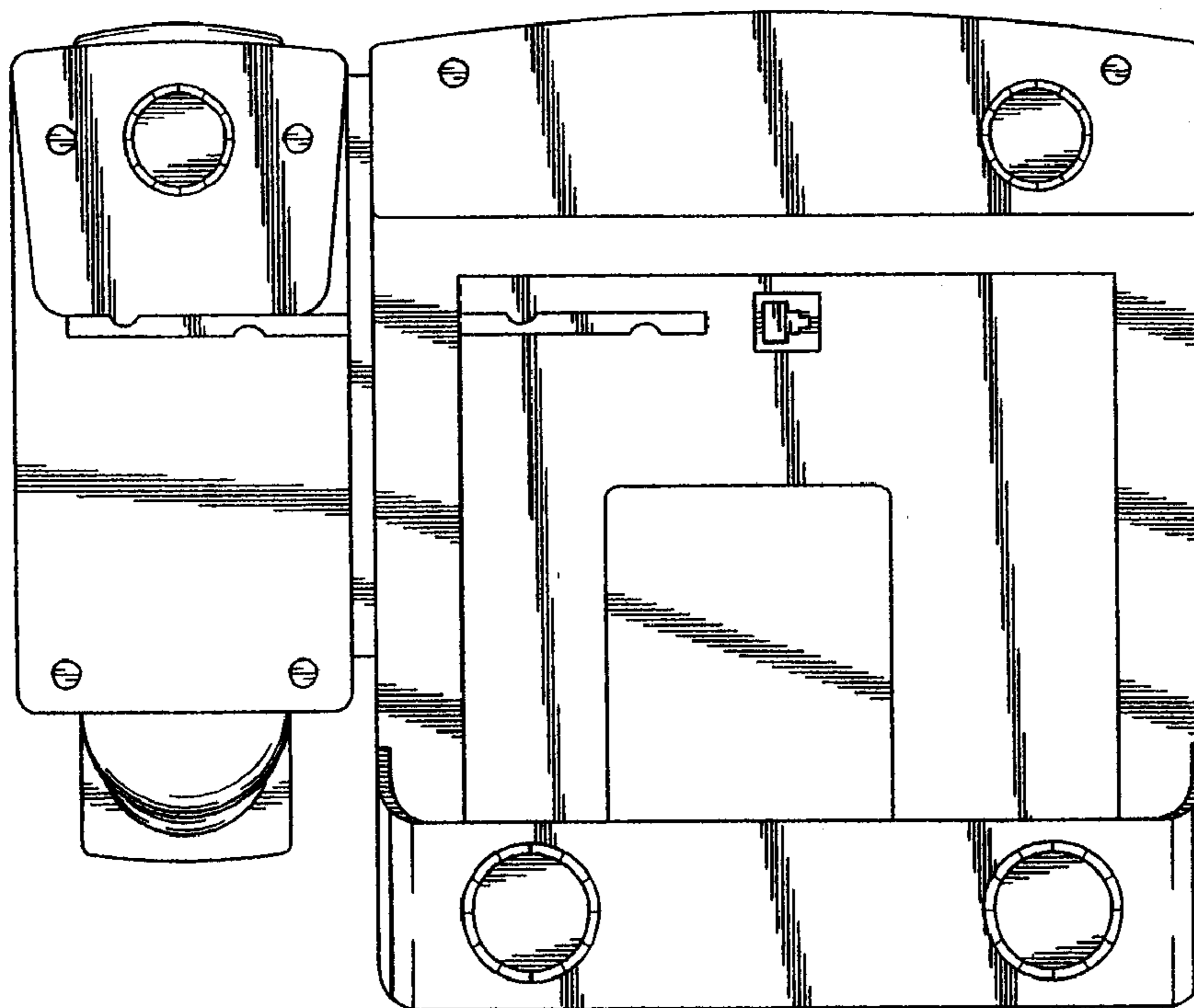


FIG. 7