



US00D550190S

(12) **United States Design Patent**  
**Minamide et al.**

(10) **Patent No.:** **US D550,190 S**

(45) **Date of Patent:** **\*\* Sep. 4, 2007**

(54) **MOBILE PHONE**

(75) Inventors: **Keiichi Minamide**, Tokyo (JP); **Yusuru Masuda**, Tokyo (JP); **Jong-Seong Lee**, Seoul (KR)

(73) Assignee: **Samsung Electronics Co., Ltd.**, Suwon-Si (KR)

(\*\*) Term: **14 Years**

(21) Appl. No.: **29/254,672**

(22) Filed: **Feb. 28, 2006**

(30) **Foreign Application Priority Data**

Dec. 7, 2005 (KR) ..... 30-2005-0041246

(51) **LOC (8) Cl.** ..... **14-03**

(52) **U.S. Cl.** ..... **D14/138**

(58) **Field of Classification Search** ..... D14/137, D14/138, 147, 218, 341-347, 496; 455/90.3, 455/556.1, 556.2, 575.1, 575.3, 575.4; 379/433.01-433.13; 361/814; 348/14.02

See application file for complete search history.

(56) **References Cited**

**U.S. PATENT DOCUMENTS**

5,422,656	A *	6/1995	Allard et al. ....	345/173
D479,214	S *	9/2003	Bertrand et al. ....	D14/138
D486,484	S *	2/2004	Bloomberg et al. ....	D14/248
D502,703	S *	3/2005	Tsujimoto et al. ....	D14/346
D510,081	S *	9/2005	Yang .....	D14/156
D512,403	S *	12/2005	Yang .....	D14/156
D525,959	S *	8/2006	Kim et al. ....	D14/138
D526,331	S *	8/2006	Lee .....	D14/496
D527,368	S *	8/2006	Kim et al. ....	D14/138
D528,093	S *	9/2006	Yang et al. ....	D14/138
D528,095	S *	9/2006	Kwon et al. ....	D14/138
D529,471	S *	10/2006	Park .....	D14/138
D529,890	S *	10/2006	Park et al. ....	D14/138
D531,610	S *	11/2006	Kim et al. ....	D14/138
D533,160	S *	12/2006	Yoo et al. ....	D14/138
D534,143	S *	12/2006	Lheem .....	D14/138
D534,517	S *	1/2007	Cho et al. ....	D14/138

D535,274	S *	1/2007	Lee .....	D14/138
D535,968	S *	1/2007	Lee .....	D14/138
D536,690	S *	2/2007	Lee .....	D14/138
D536,691	S *	2/2007	Park .....	D14/138
D537,058	S *	2/2007	Chauhan et al. ....	D14/138
D537,808	S *	3/2007	Lee .....	D14/156
2004/0242288	A1 *	12/2004	Balle et al. ....	455/575.1
2006/0287011	A1 *	12/2006	Chiu .....	455/575.1
2007/0037618	A1 *	2/2007	Lee .....	455/575.4

**OTHER PUBLICATIONS**

Samsung F500, announced Dec. 2006, [online], [retrieved on Feb. 8, 2007]. Retrieved from Internet ,<URL: <http://www.gsmarena.com>>.\*

Samsung X830, announced Sep. 2006, [online], [retrieved on Feb. 8, 2007]. Retrieved from Internet ,<URL: <http://www.gsmarena.com>>.\*

(Continued)

*Primary Examiner*—Jeffrey Asch

*Assistant Examiner*—Bridget L. Eland

(74) *Attorney, Agent, or Firm*—Staas & Halsey LLP

(57) **CLAIM**

The ornamental design for the mobile phone, as shown and described.

**DESCRIPTION**

FIG. 1 is a perspective view of the mobile phone showing our design;

FIG. 2 is a front view thereof;

FIG. 3 is a rear view thereof;

FIG. 4 is a left side view thereof;

FIG. 5 is a right side view thereof;

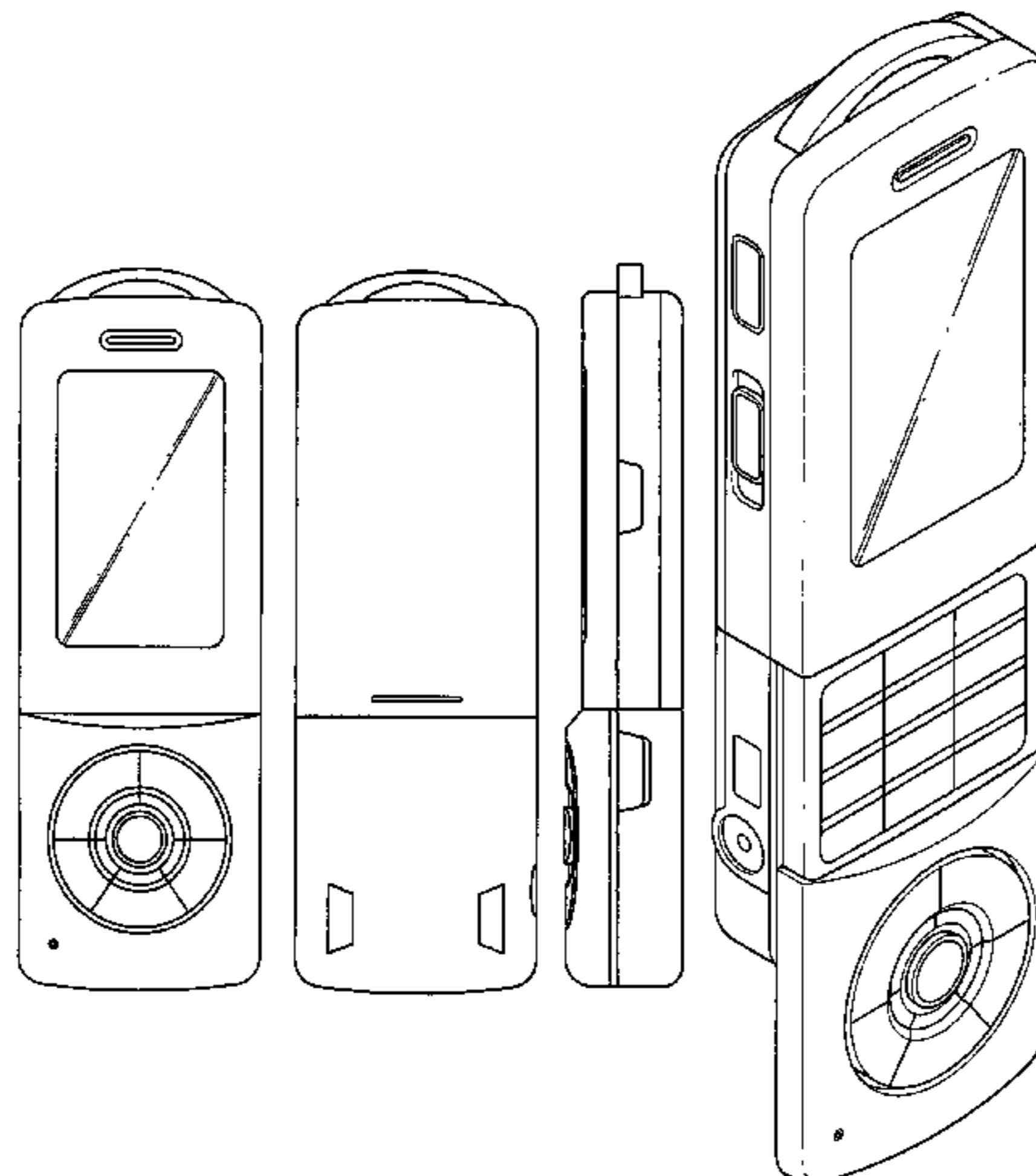
FIG. 6 is a top plan view thereof;

FIG. 7 is a bottom plan view thereof;

FIG. 8 is a perspective, open view thereof; and,

FIG. 9 is a perspective view thereof showing a portion rotated.

**1 Claim, 5 Drawing Sheets**



OTHER PUBLICATIONS

Sony Ericsson S600, announced Jun. 2005, [online], [retrieved on Feb. 16, 2007]. Retrieved from Internet ,<URL: <http://www.gsmarena.com>>.\*

Nokia N91, announced 2<sup>nd</sup> quarter 2005, [online], [retrieved on Feb. 16, 2007]. Retrieved from Internet ,<URL: <http://www.gsmarena.com>>.\*

\* cited by examiner

FIG. 1

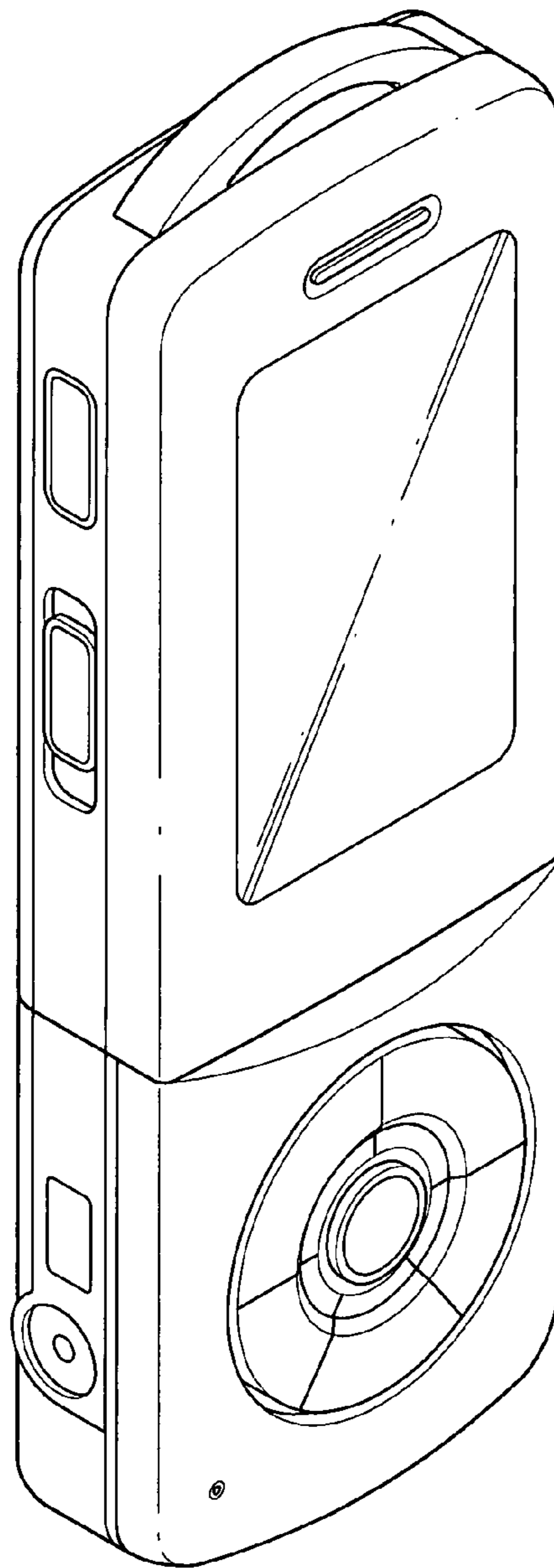


FIG. 2

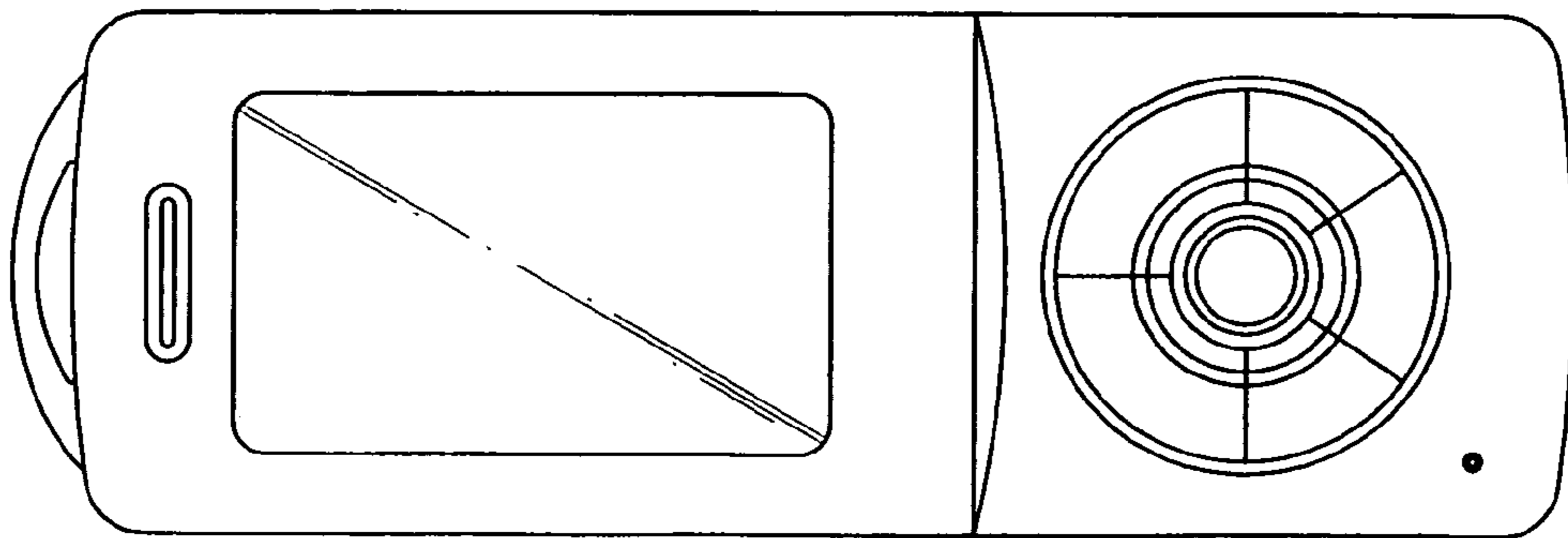


FIG. 3

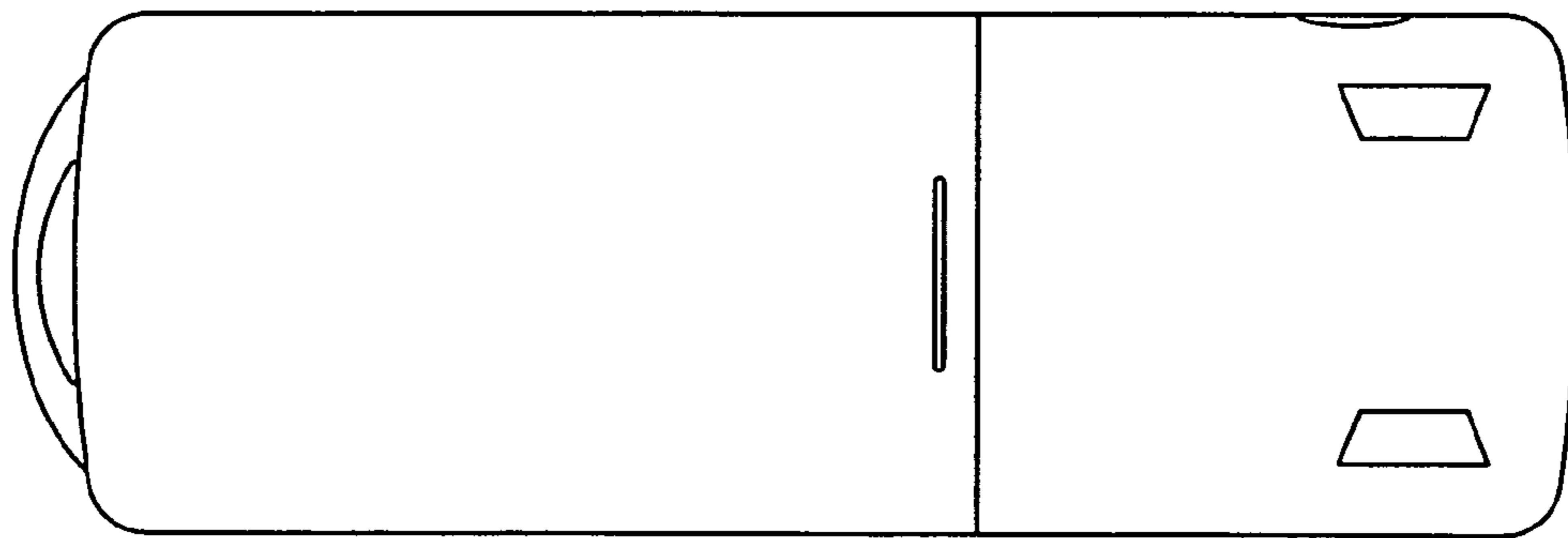


FIG. 4

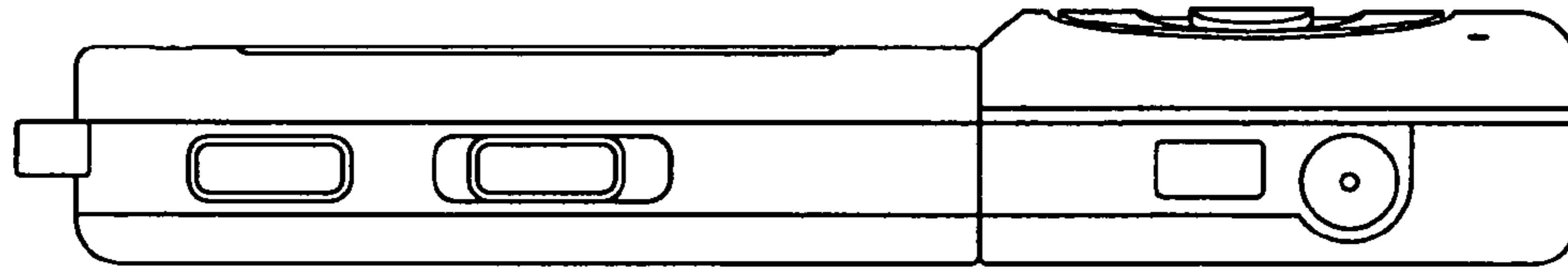


FIG. 5

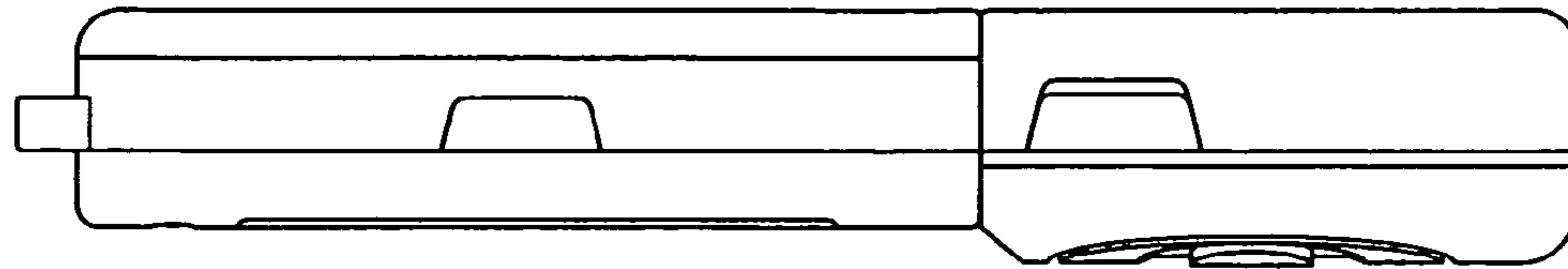


FIG. 6

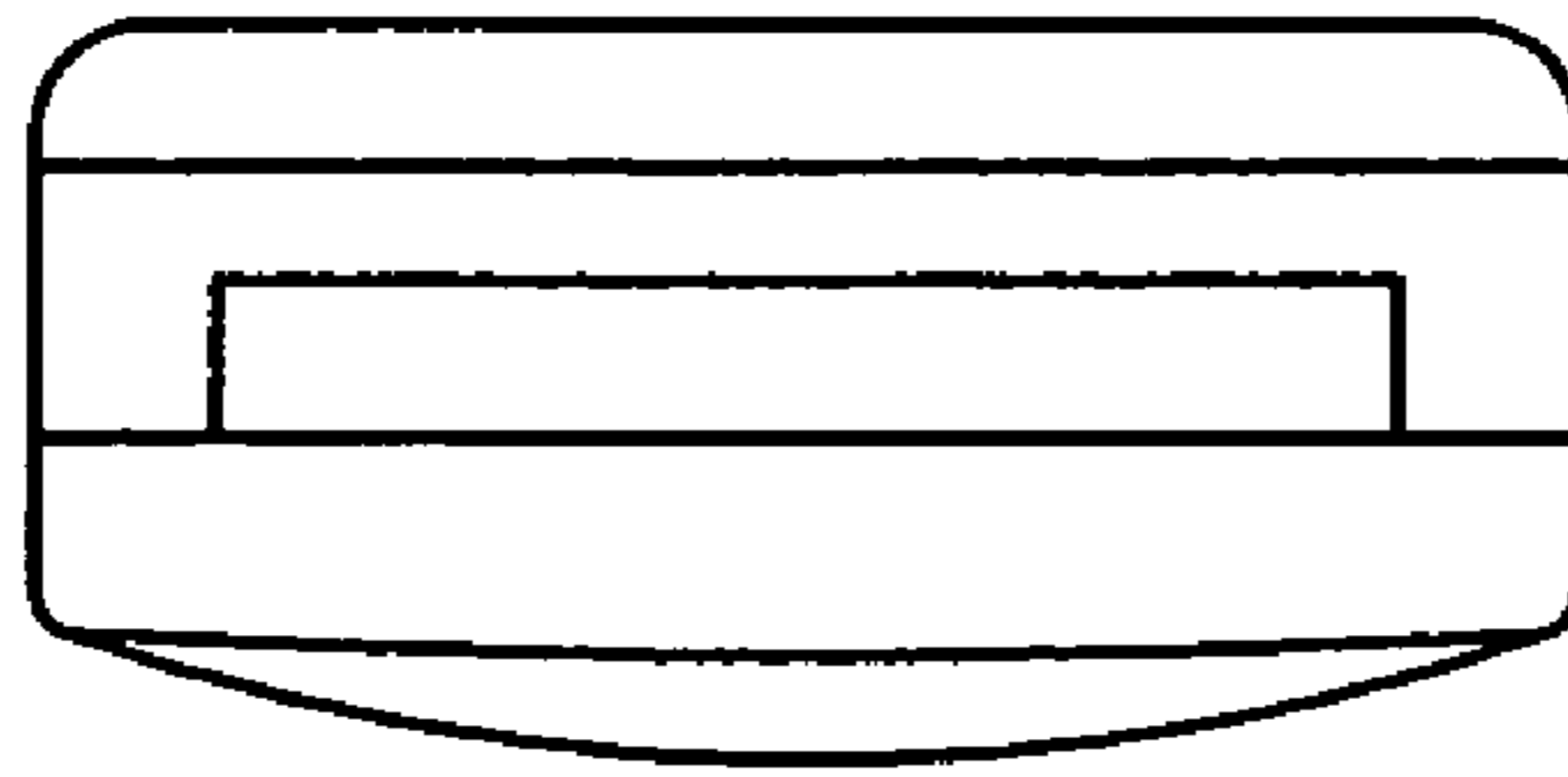


FIG. 7

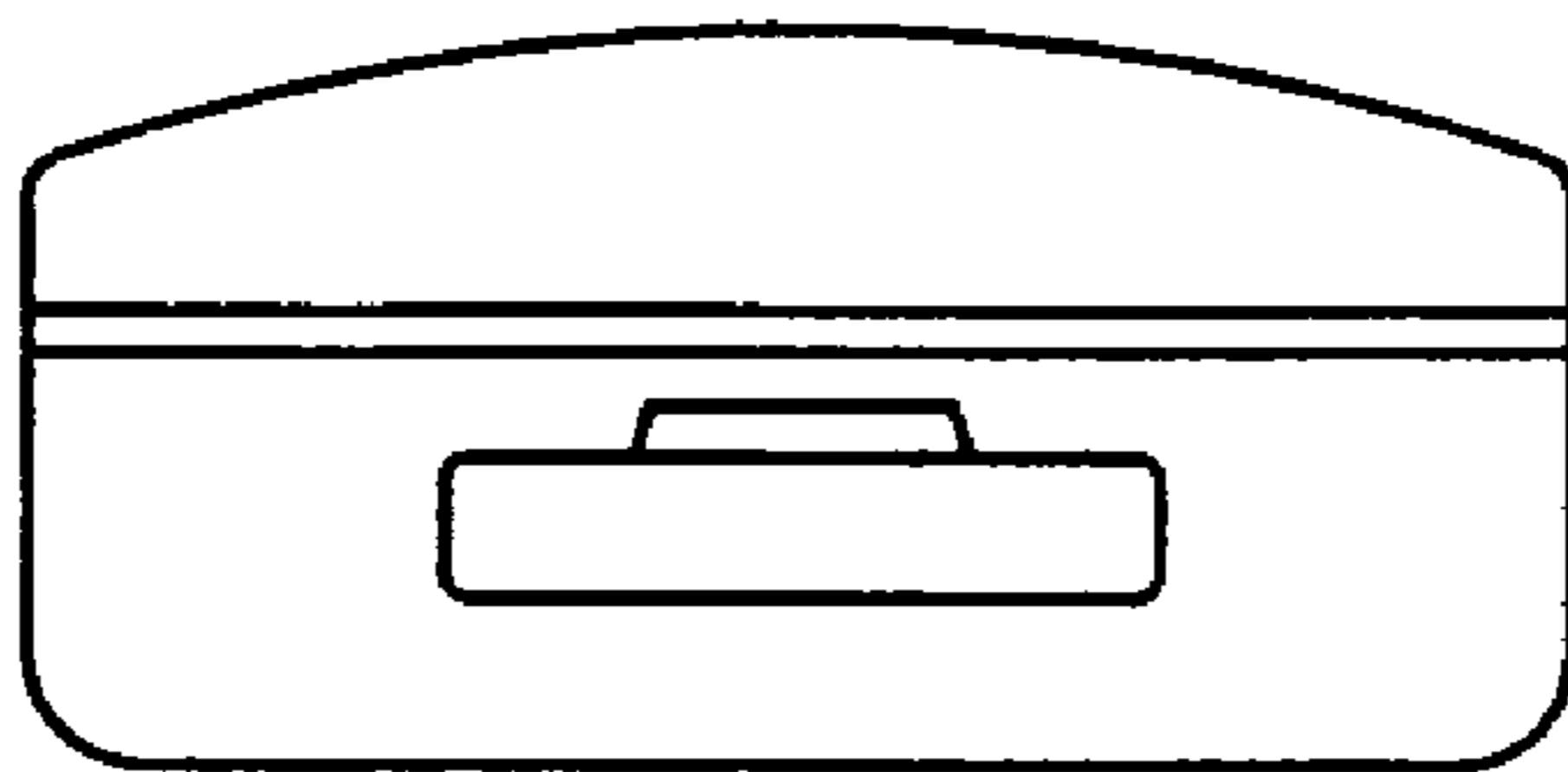


FIG. 8

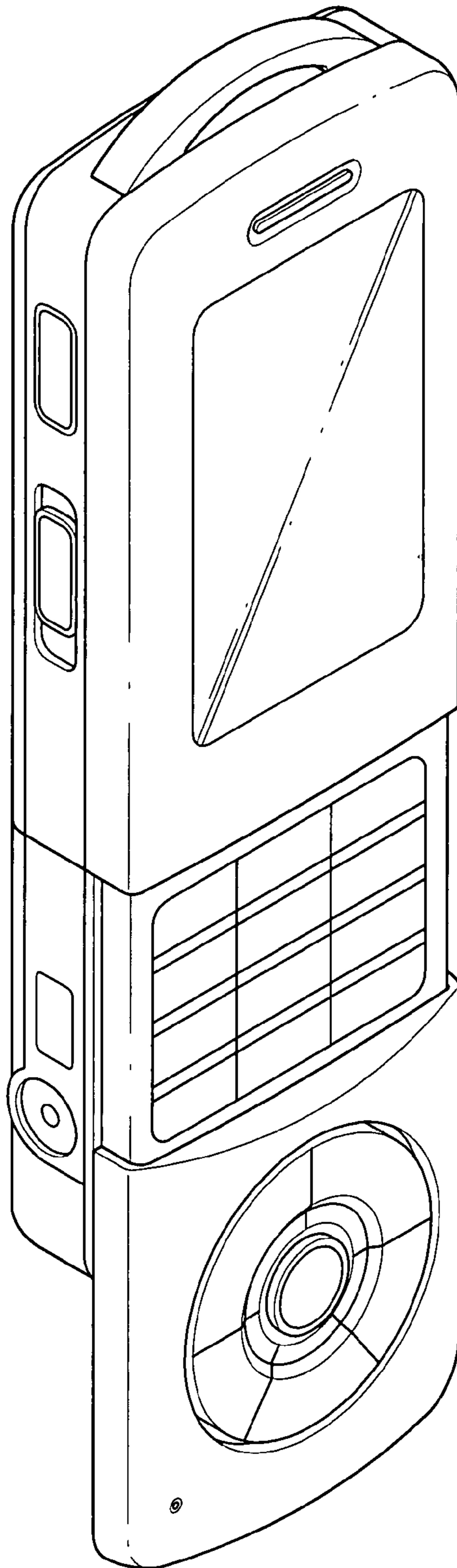


FIG. 9

