



US00D550179S

(12) **United States Design Patent**
Lee

(10) **Patent No.:** **US D550,179 S**
(45) **Date of Patent:** **** Sep. 4, 2007**

(54) **DVD PLAYER**

(75) Inventor: **Johann Lee**, Maspeth, NY (US)

(73) Assignee: **Coby Electronics Corporation**,
Maspeth, NY (US)

(**) Term: **14 Years**

(21) Appl. No.: **29/251,049**

(22) Filed: **Jan. 4, 2006**

(51) **LOC (8) Cl.** **14-01**

(52) **U.S. Cl.** **D14/136**

(58) **Field of Classification Search** D14/135-136,
D14/156, 167-168, 188, 217, 496, 445; 360/99.02,
360/99.07; 369/75.11, 75.21, 77.21, 77.11;
720/612, 619, 647, 655; 455/344, 347-351
See application file for complete search history.

(56) **References Cited**

U.S. PATENT DOCUMENTS

5,870,367	A *	2/1999	Yamamori	720/669
D410,463	S *	6/1999	Hattori	D14/156
D491,904	S *	6/2004	Johansson et al.	D14/136
D499,388	S *	12/2004	Murakami	D14/136
D512,977	S *	12/2005	Chan	D14/156

* cited by examiner

Primary Examiner—Nanda Bondade

(74) *Attorney, Agent, or Firm*—Mayer, Brown, Rowe &
Maw LLP

(57) **CLAIM**

The ornamental design for a DVD player, as shown and described.

DESCRIPTION

A portion of this patent document contains material which is subject to copyright protection. The copyright owner has no

objection to the facsimile reproduction by anyone of the patent document or the patent disclosure, as it appears in the Patent and Trademark Office patent files or records, but otherwise reserves all copyrights whatsoever.

FIG. 1 is a perspective view of a DVD player showing my new design;

FIG. 2 is a top plan view of the DVD Player of FIG. 1;

FIG. 3 is a front elevation view of the DVD Player of FIG. 1;

FIG. 4 is a right side elevation view of the DVD Player of FIG. 1;

FIG. 5 is a left side elevation view of the DVD Player of FIG. 1;

FIG. 6 is a rear elevation view of the DVD Player of FIG. 1;

FIG. 7 is a bottom plan view of the DVD Player of FIG. 1;

FIG. 8 is perspective view of the DVD player of FIG. 1, with the lid in open position;

FIG. 9 is a perspective view of second embodiment of FIG. 1;

FIG. 10 is a top plan view of the DVD Player of FIG. 9;

FIG. 11 is a right side elevation view of the DVD Player of FIG. 9;

FIG. 12 is a left side elevation view of the DVD Player of FIG. 9;

FIG. 13 is a rear elevation view of the DVD Player of FIG. 9;

FIG. 14 is a bottom plan view of the DVD player of FIG. 9; and,

FIG. 15 is a perspective view of the DVD player of FIG. 9, with the lid in open position.

The broken lines in FIGS. 9-15 are for illustrative purposes only and form no part of the claimed design.

1 Claim, 8 Drawing Sheets

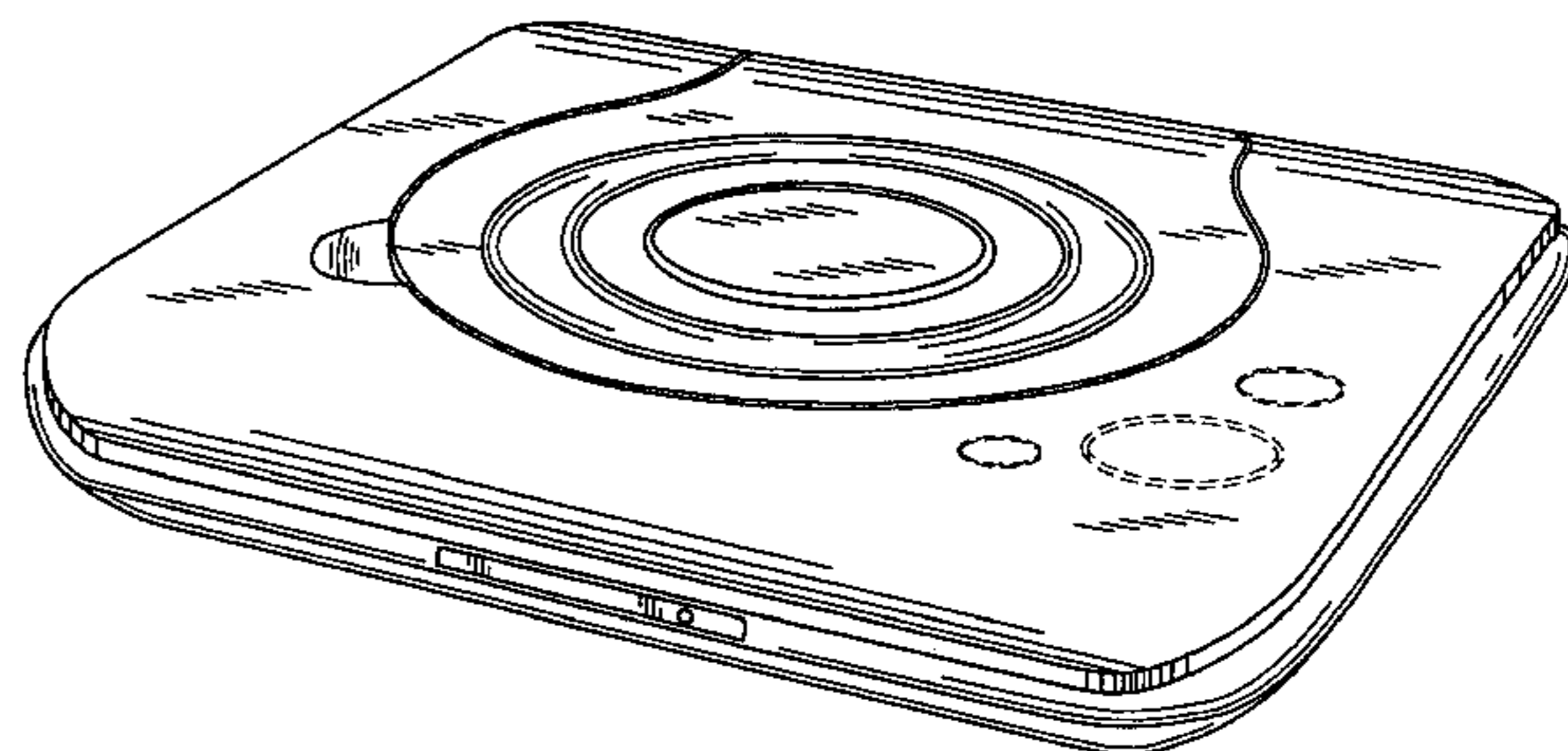
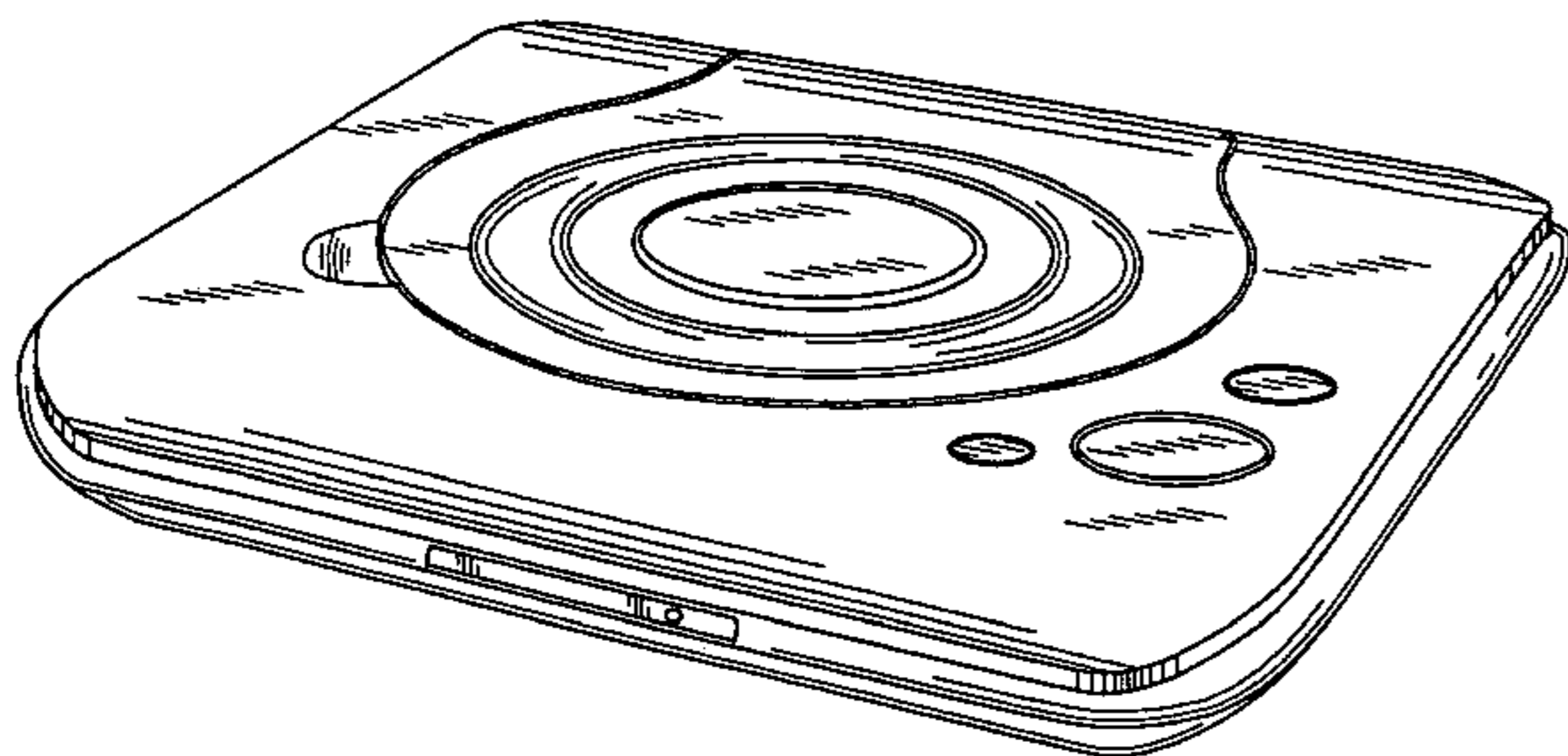


FIG. 1

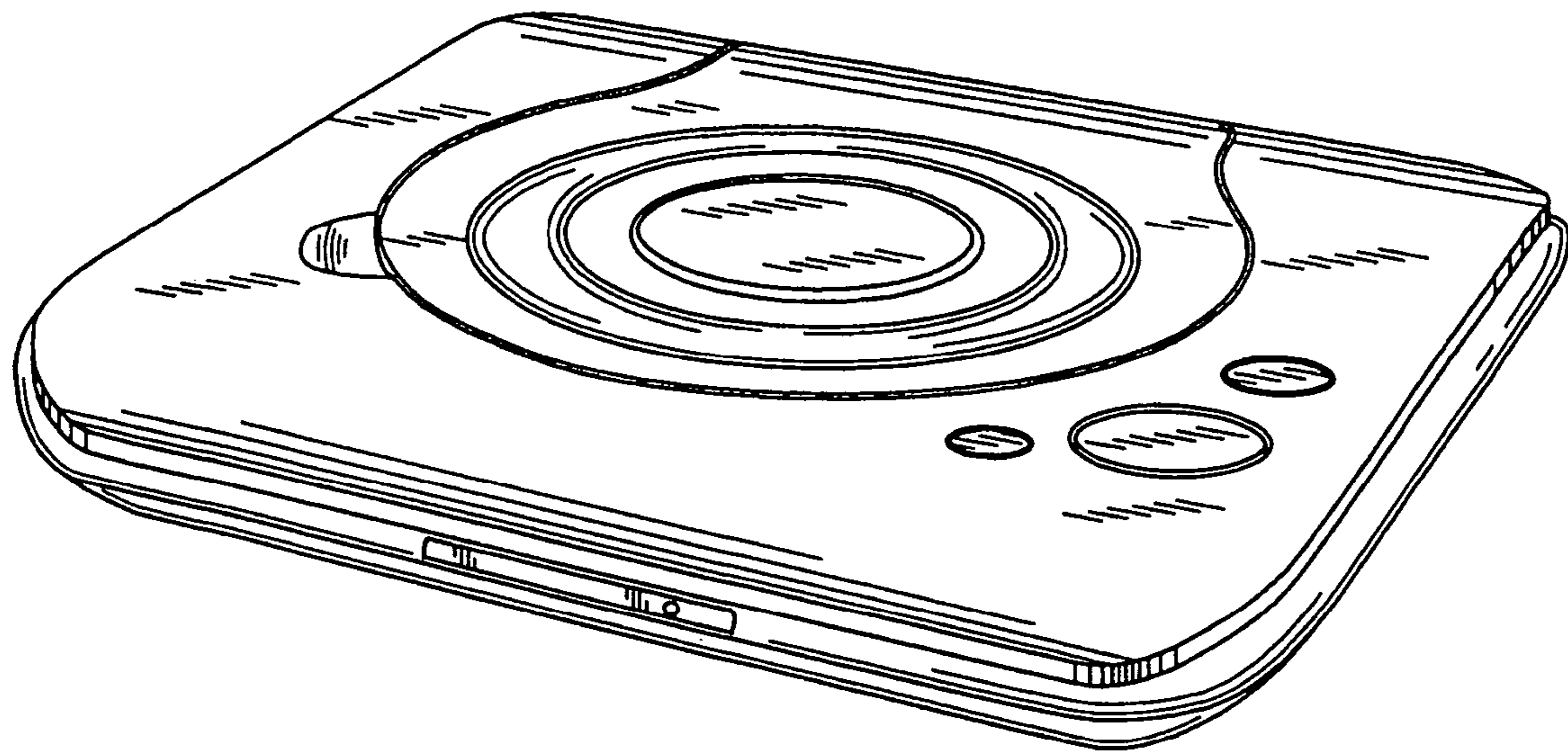


FIG. 2

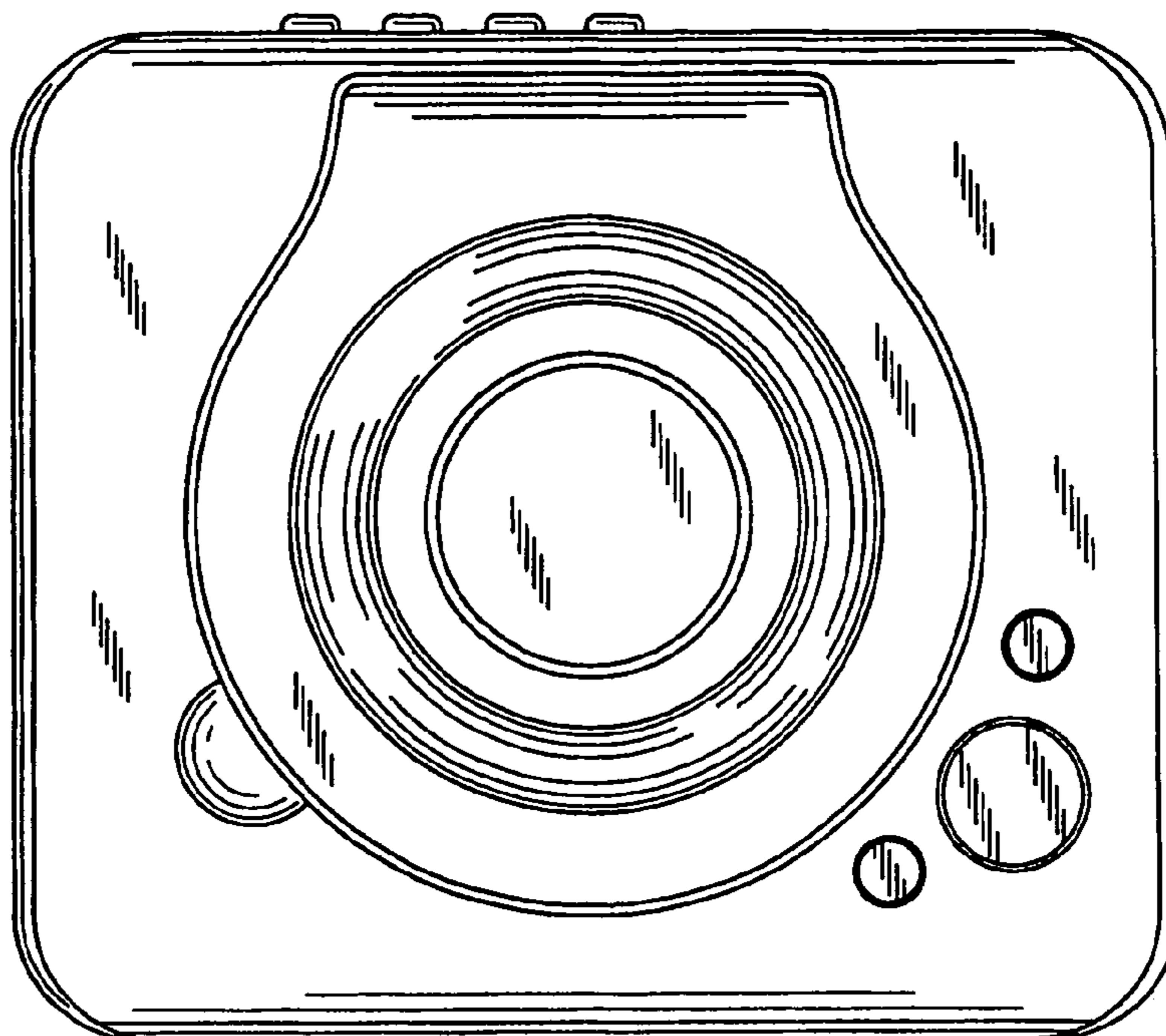


FIG. 3

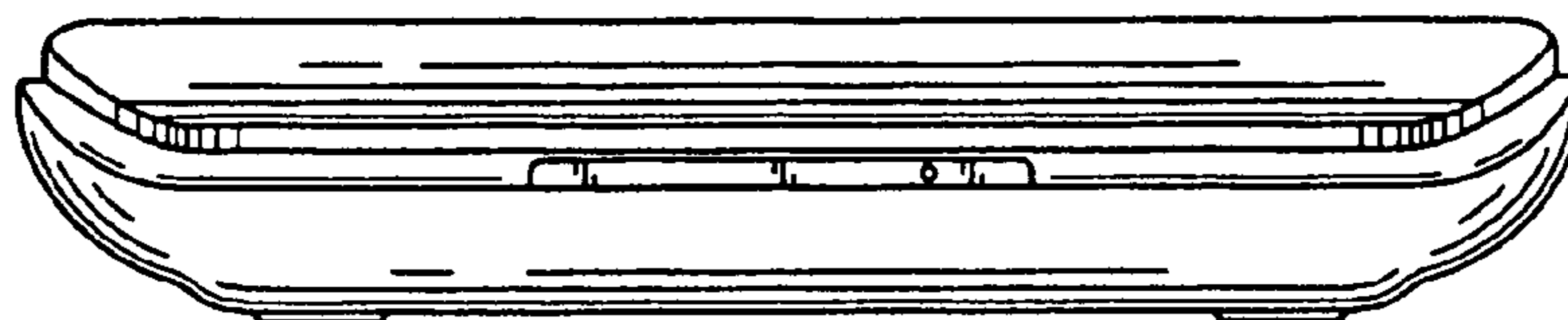


FIG. 4

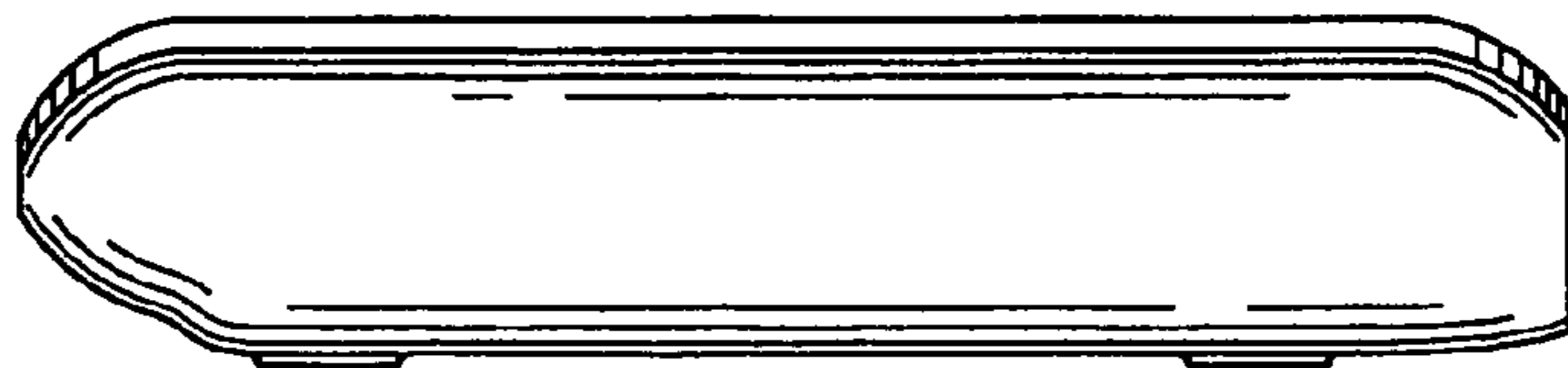


FIG. 5

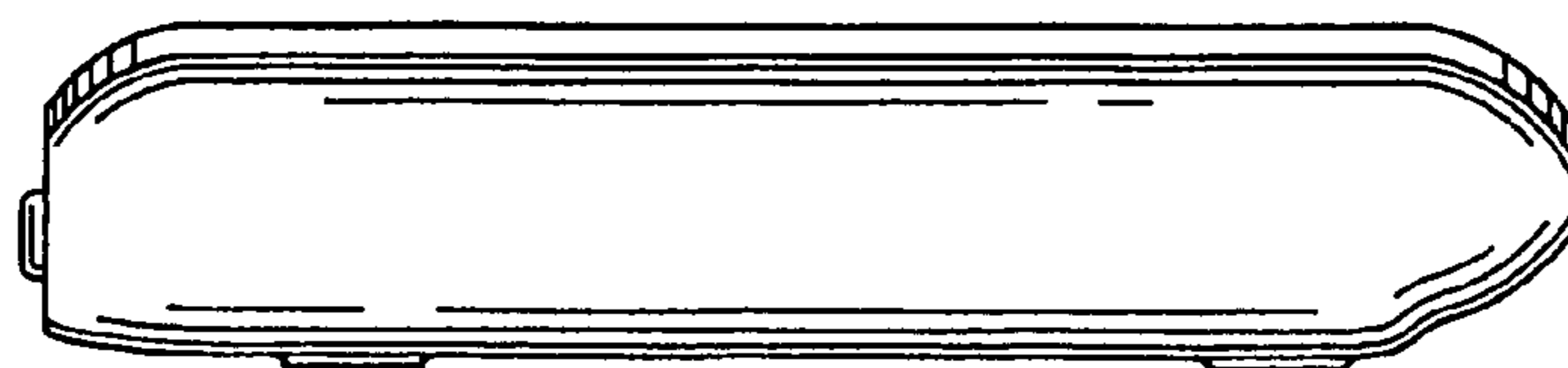


FIG. 6

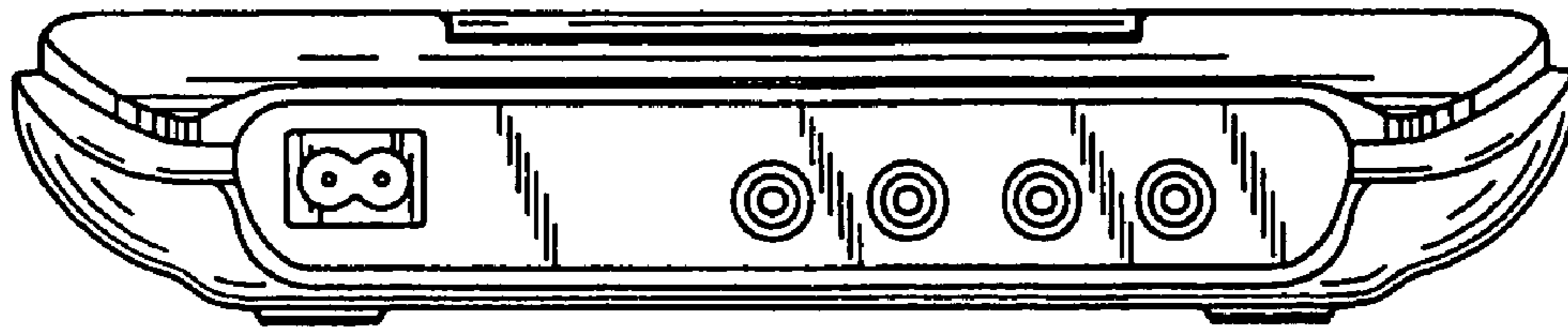


FIG. 7

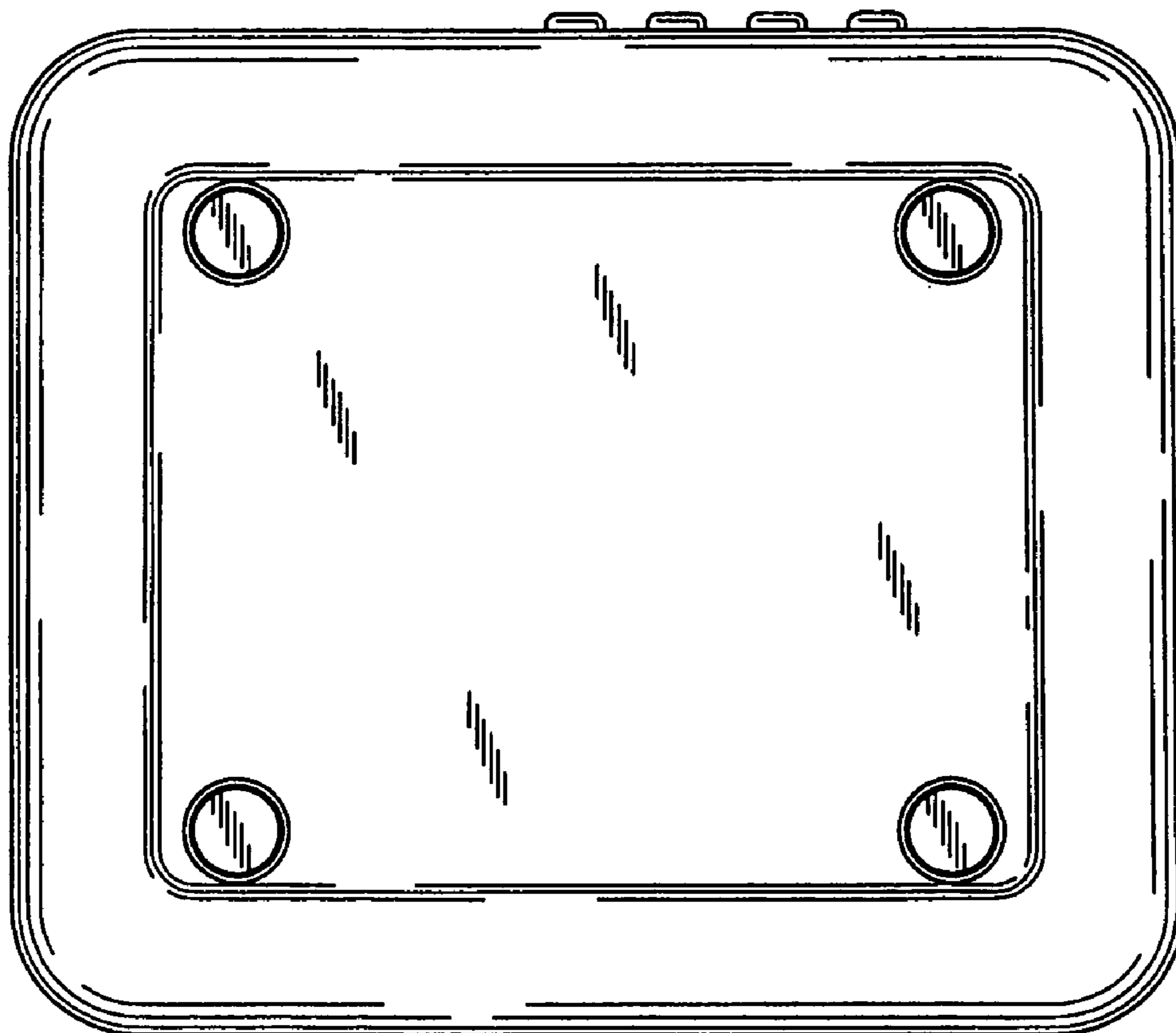


FIG. 8

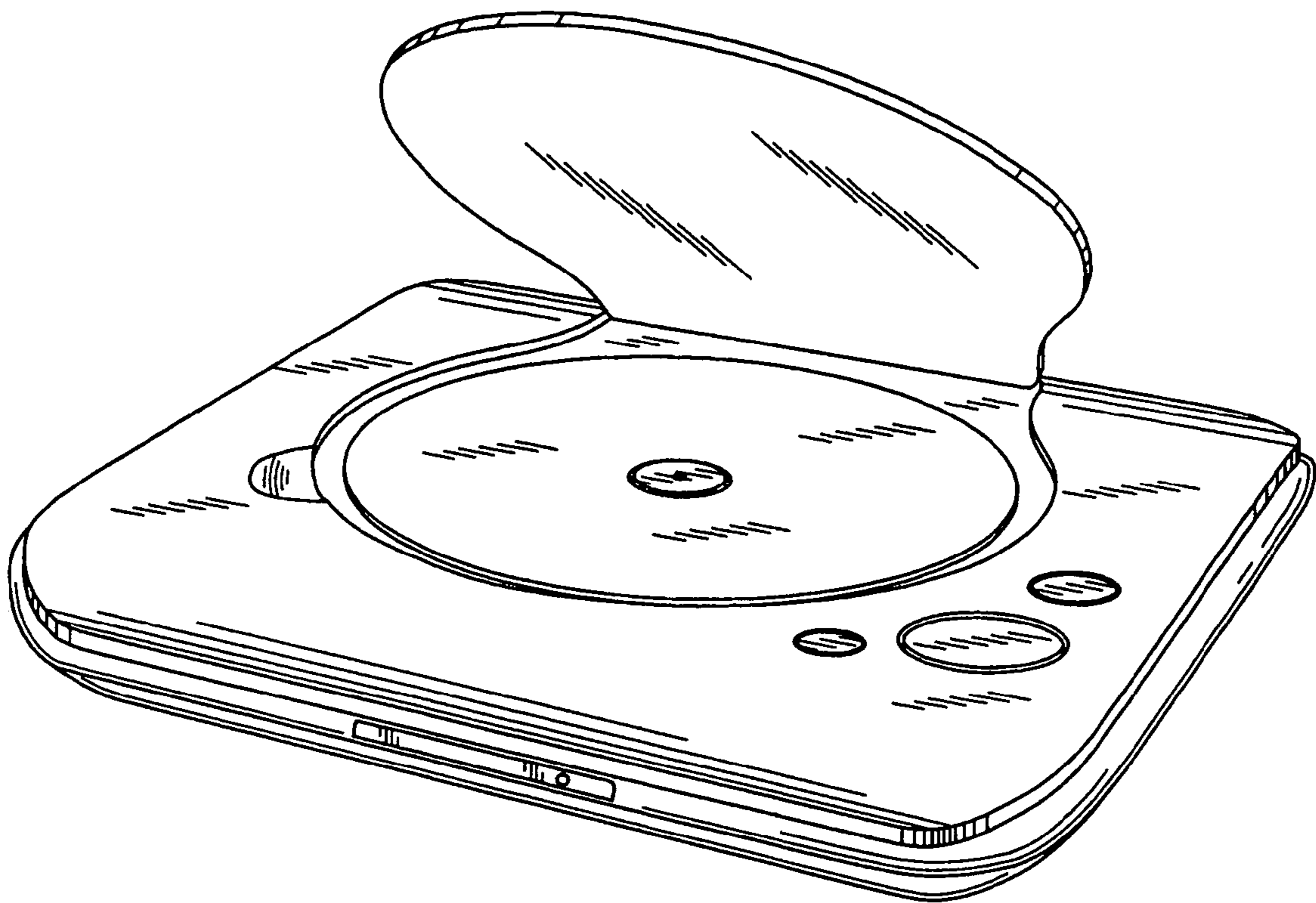


FIG. 9

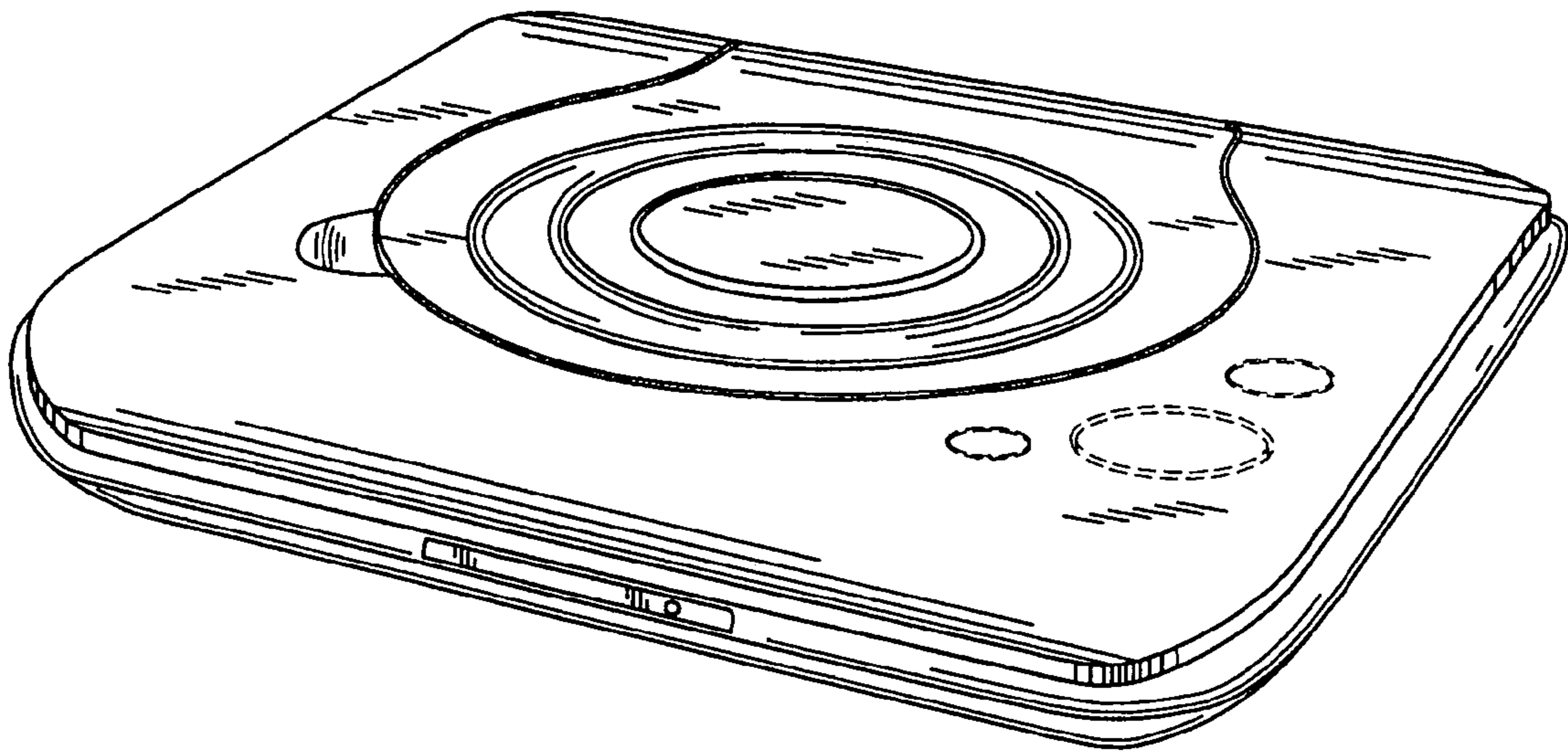


FIG. 10

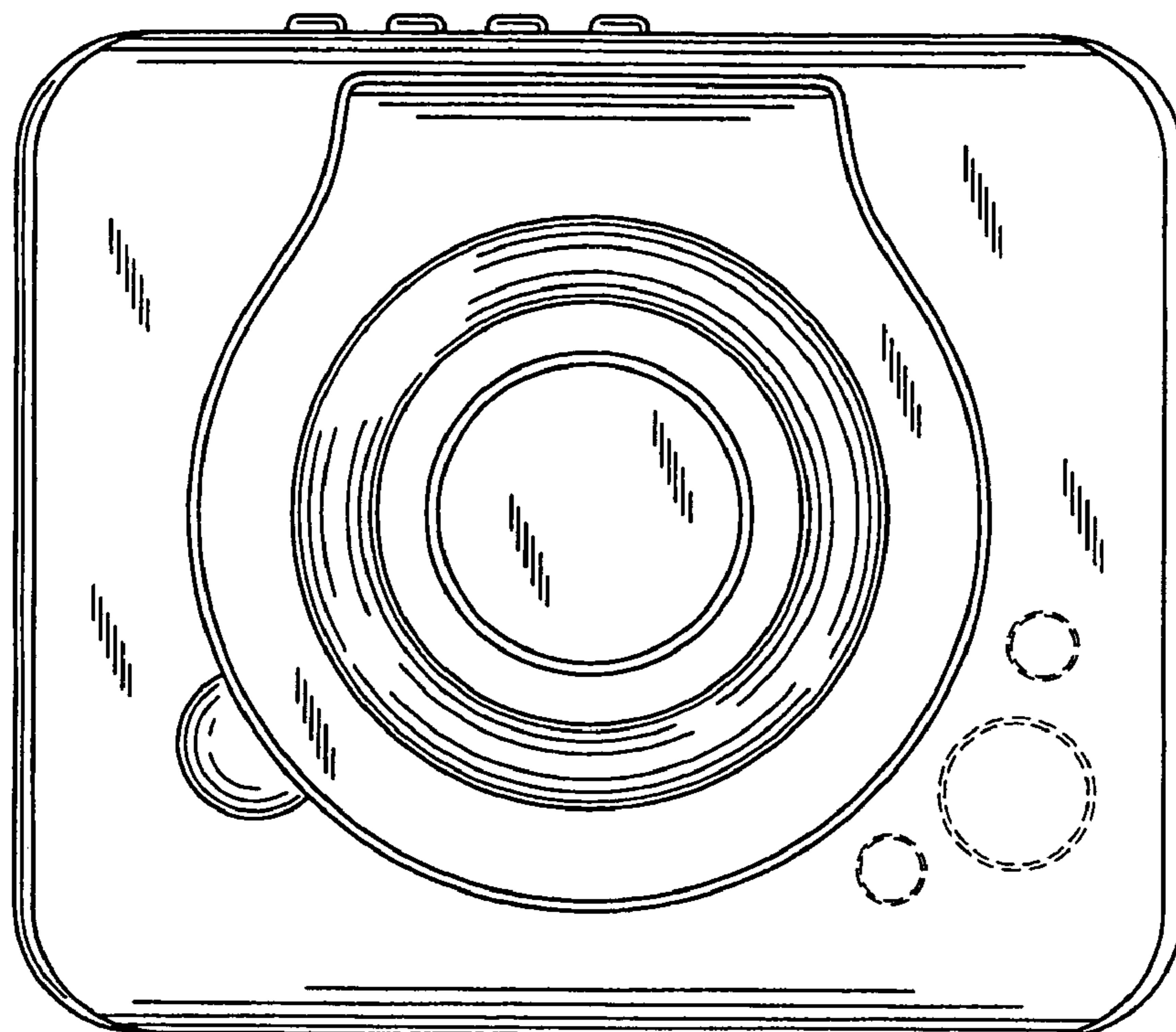


FIG. 11

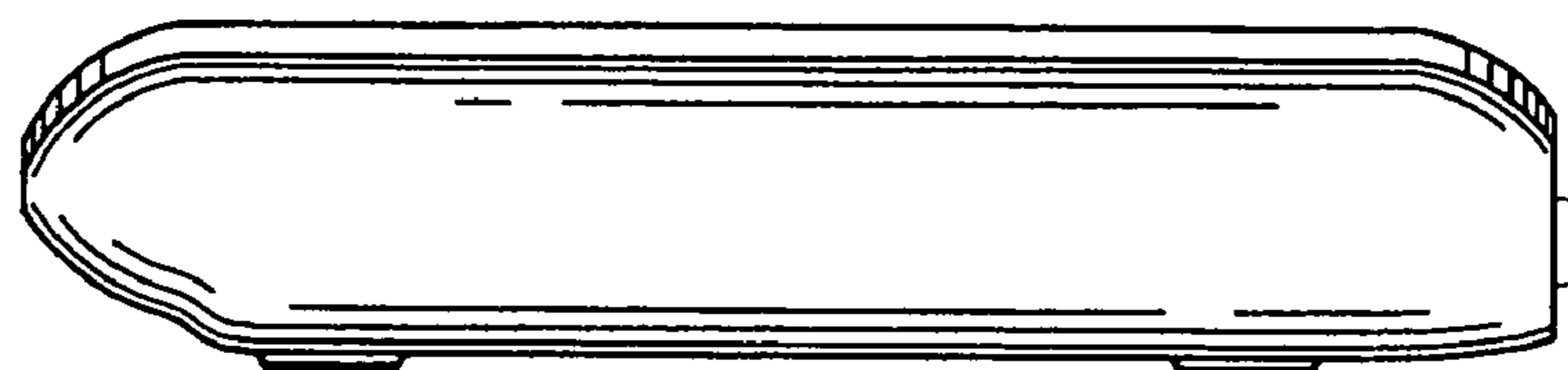


FIG. 12

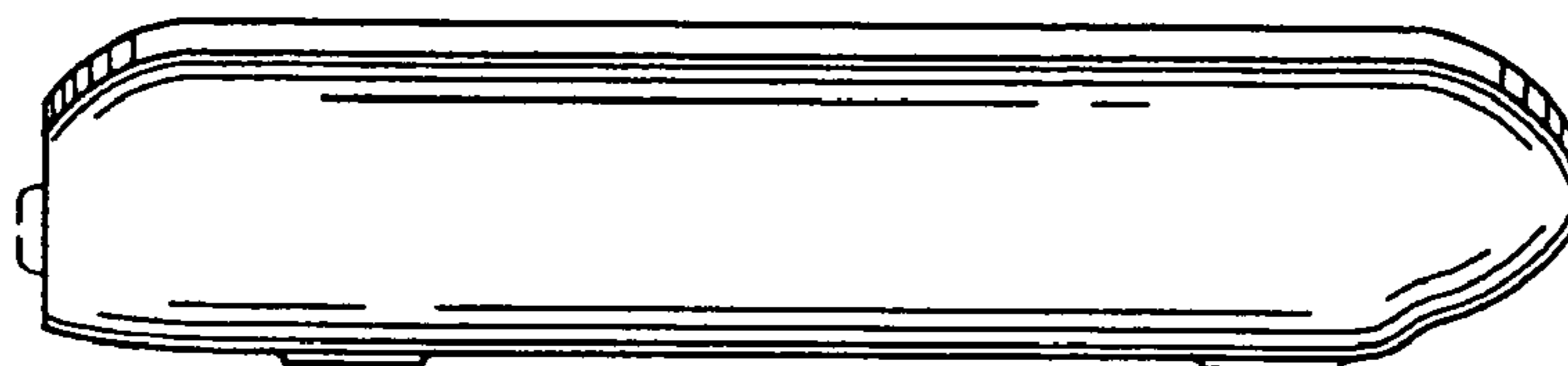


FIG. 13

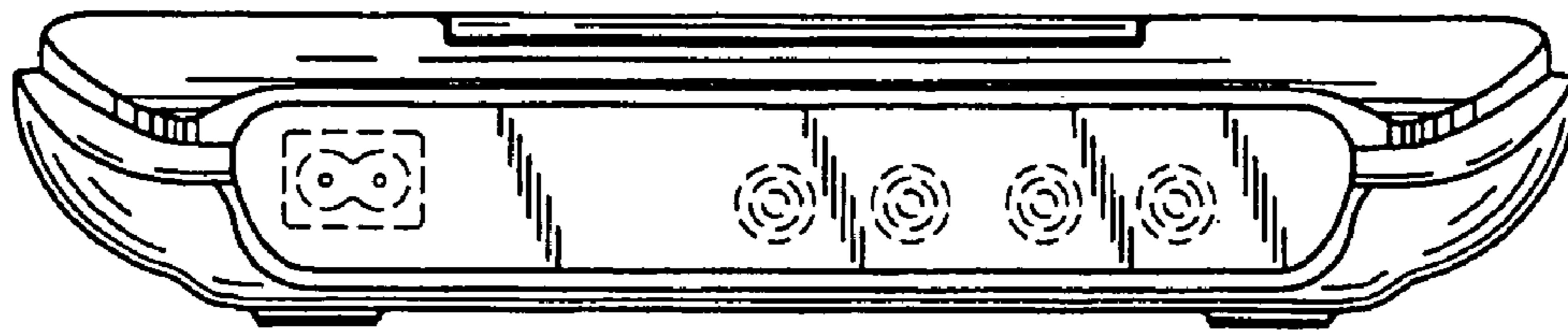


FIG. 14

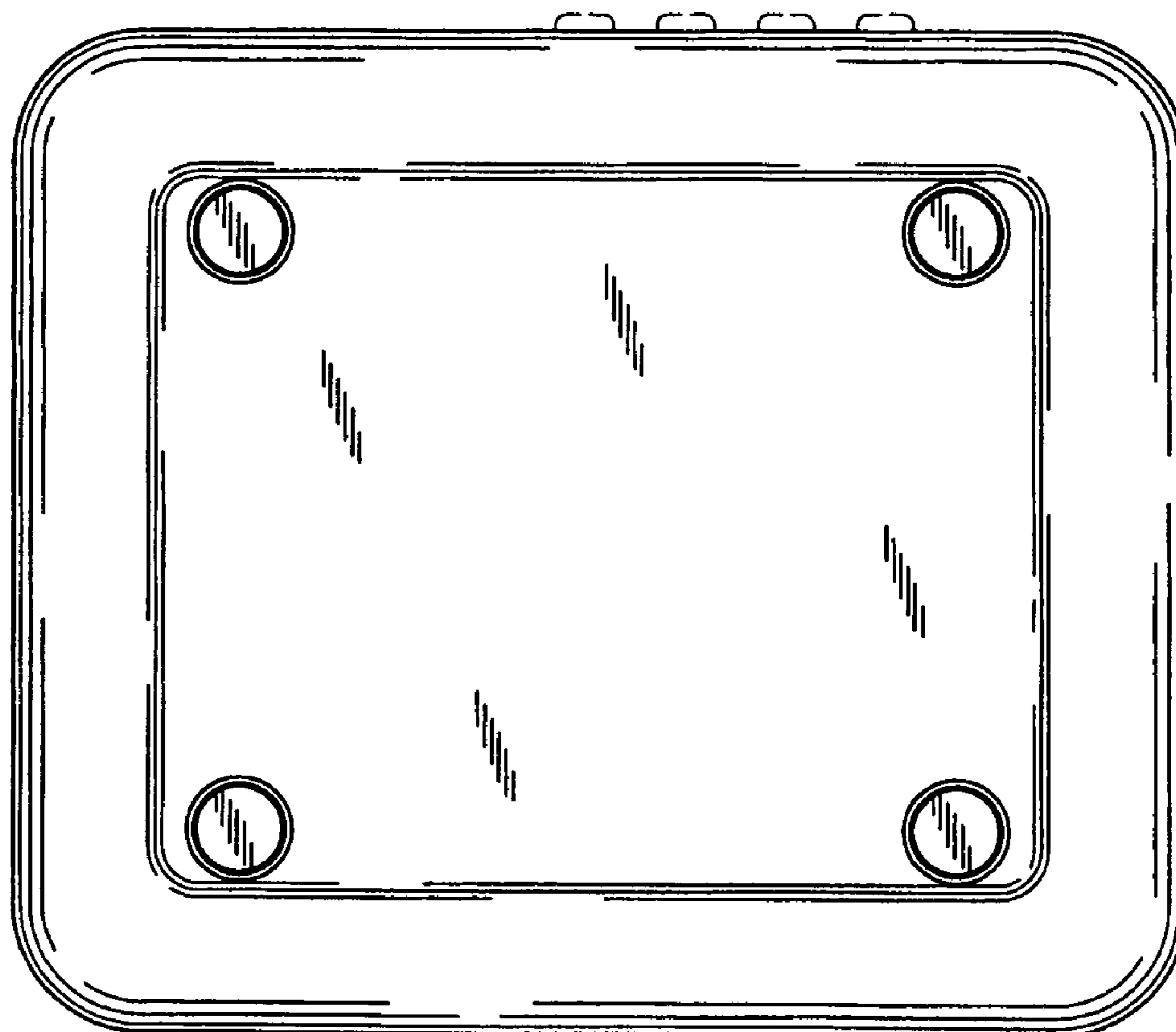


FIG. 15

