



US00D550178S

(12) **United States Design Patent**
Sahashi

(10) **Patent No.:** **US D550,178 S**

(45) **Date of Patent:** **** Sep. 4, 2007**

(54) **TELEVISION TELEPHONE**

(75) Inventor: **Nozomu Sahashi**, Kishiwada (JP)

(73) Assignee: **Ginganet Corporation**, Osaka-shi (JP)

(**) Term: **14 Years**

(21) Appl. No.: **29/223,467**

(22) Filed: **Feb. 15, 2005**

(30) **Foreign Application Priority Data**

Jan. 24, 2005 (JP) 2005-001674

(51) **LOC (8) Cl.** **14-03**

(52) **U.S. Cl.** **D14/130**

(58) **Field of Classification Search** D14/125-131,
D14/140, 144, 239, 240, 317, 323, 371-376,
D14/136, 496; D16/202-203, 213; 348/14.01-14.05,
348/14.08, 14.1, 14.12-14.15; 370/483;
379/440; 434/118; 455/550.1

See application file for complete search history.

(56) **References Cited**

U.S. PATENT DOCUMENTS

5,191,601 A * 3/1993 Ida et al. 348/14.01

(Continued)

Primary Examiner—Charles A. Rademaker

Assistant Examiner—Carla Jobe Wright

(74) *Attorney, Agent, or Firm*—Bacon & Thomas, PLLC

(57) **CLAIM**

The ornamental design for a television telephone, as shown and described.

DESCRIPTION

FIG. 1 is a perspective view of a television telephone showing my new design;

FIG. 2 is a front elevation view thereof;

FIG. 3 is a rear elevation view thereof;

FIG. 4 is a left-end elevation view thereof;

FIG. 5 is a right-end elevation view thereof;

FIG. 6 is a top plan view thereof;

FIG. 7 is a bottom plan view thereof;

FIG. 8 is a cross-sectional view thereof, taken along line A-A' in FIG. 4, with inner structure omitted;

FIG. 9 is a cross-sectional view thereof along line B-B' in FIG. 6, with inner structure omitted;

FIG. 10 is a cross-sectional view thereof, taken along line C-C' in FIG. 6, with inner structure omitted;

FIG. 11 is a cross-sectional view thereof, taken along line D-D' in FIG. 6, with inner structure omitted;

FIG. 12 is a cross-sectional view thereof, taken along line E-E' in FIG. 6, with inner structure omitted;

FIG. 13 is a cross-sectional view thereof, taken along line F-F' in FIG. 6, with inner structure omitted;

FIG. 14 is a cross-sectional view thereof, taken along line G-G' in FIG. 6, with inner structure omitted;

FIG. 15 is a top plan view thereof, shown with the arm and camera in a housed condition and display screen folded;

FIG. 16 is a perspective view thereof, shown with the arm and camera in a housed condition and the display screen folded;

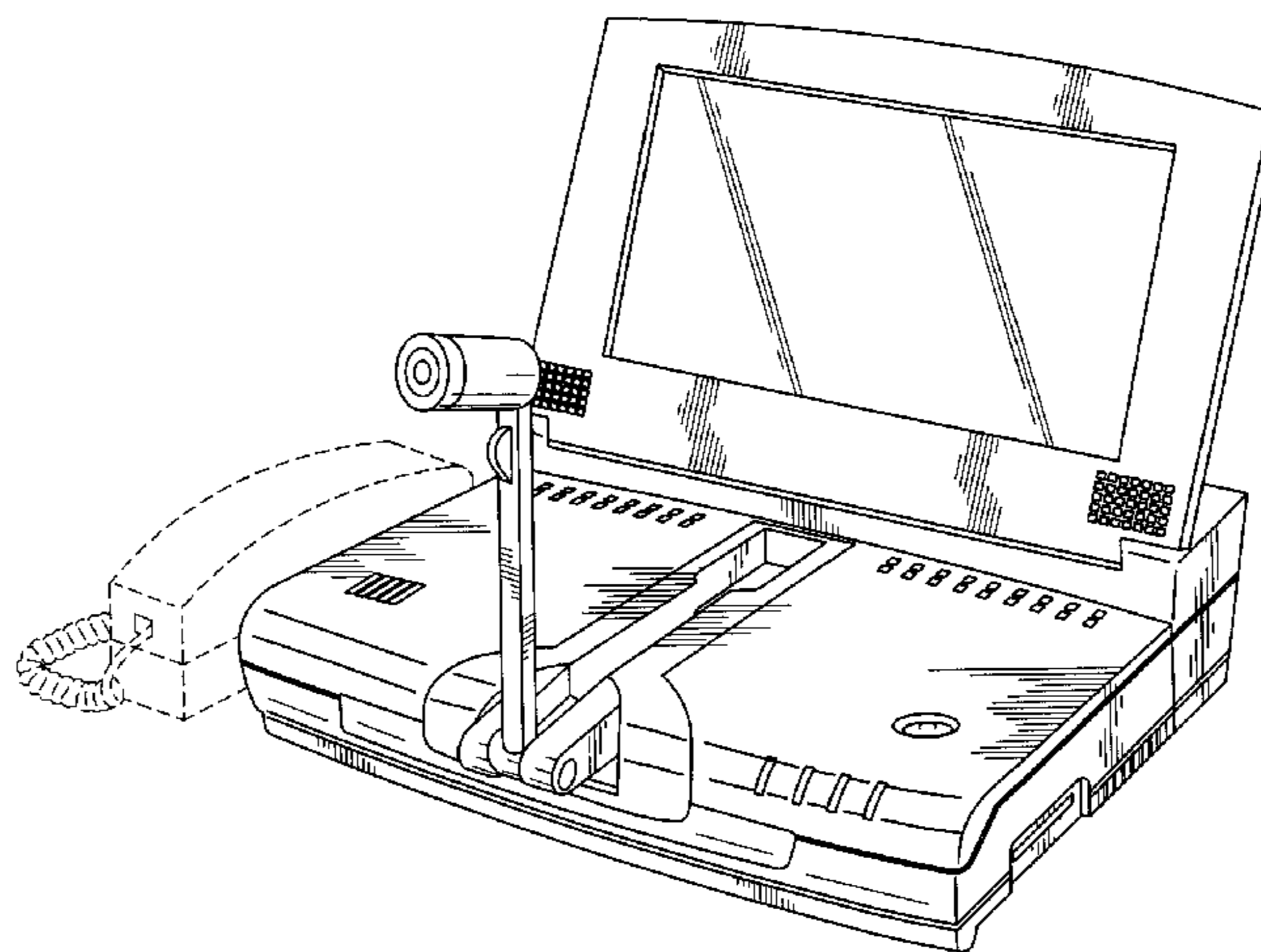
FIG. 17 is a perspective view thereof;

FIG. 18 is a perspective view thereof, showing the arm and camera in an alternate position and the display screen in a folded condition; and,

FIG. 19 is a perspective view thereof, showing the display screen in a folded condition.

The broken line showing of environmental structures is for illustrative purposes only and forms no part of the claimed design.

1 Claim, 10 Drawing Sheets



US D550,178 S

Page 2

U.S. PATENT DOCUMENTS

D350,743 S *	9/1994	Hicks et al.	D14/130	D435,525 S *	12/2000	Eddington et al.	D14/130
D371,357 S *	7/1996	Nakamura	D14/136	D443,256 S *	6/2001	Yoshiyama	D14/129
5,677,727 A *	10/1997	Gotoh et al.	348/14.01	D491,153 S *	6/2004	Wintzen et al.	D14/130
D398,302 S *	9/1998	Lio	D14/130	7,154,526 B2 *	12/2006	Foote et al.	348/14.08
D414,764 S *	10/1999	Hwang et al.	D14/130				

* cited by examiner

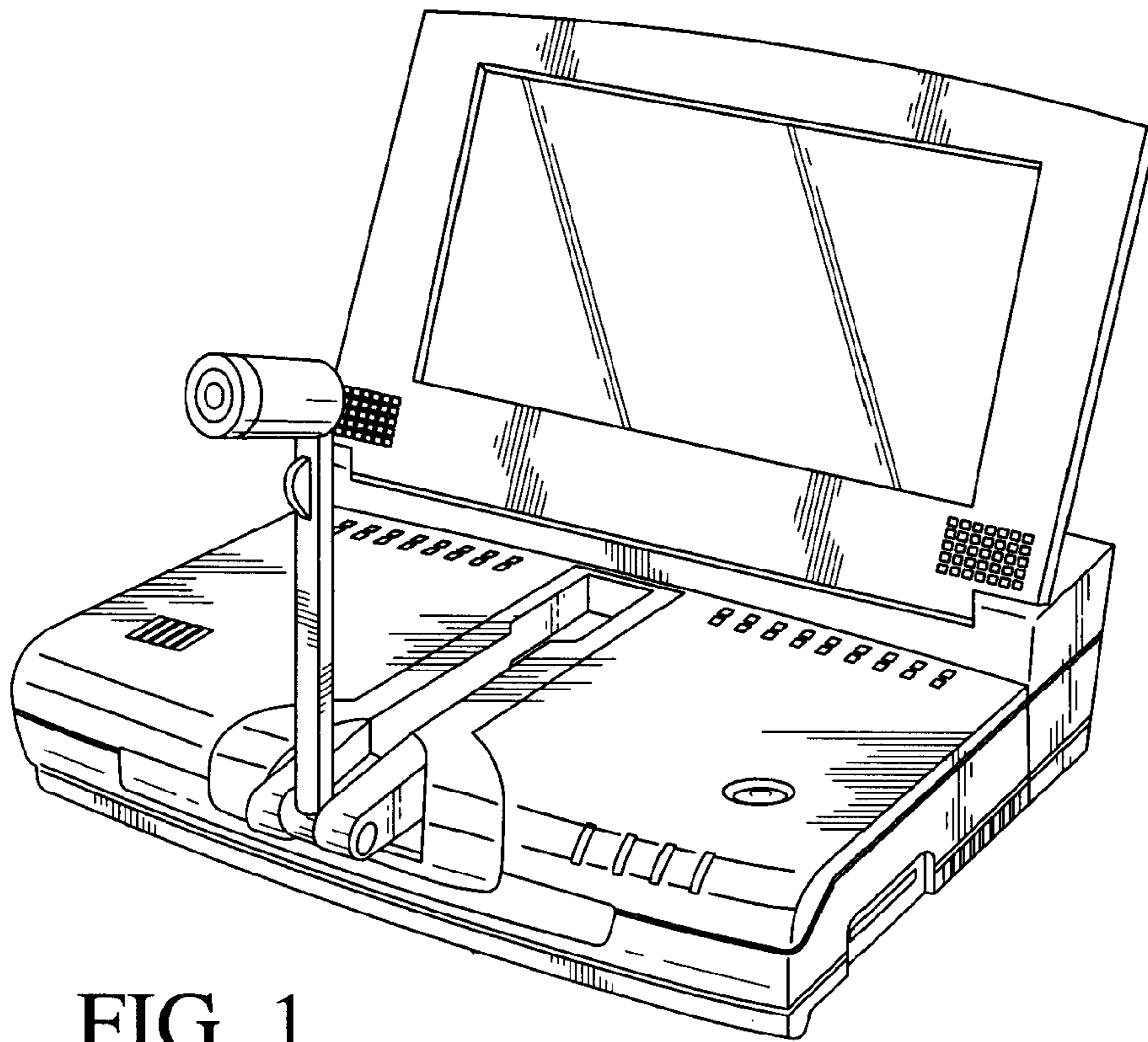


FIG. 1

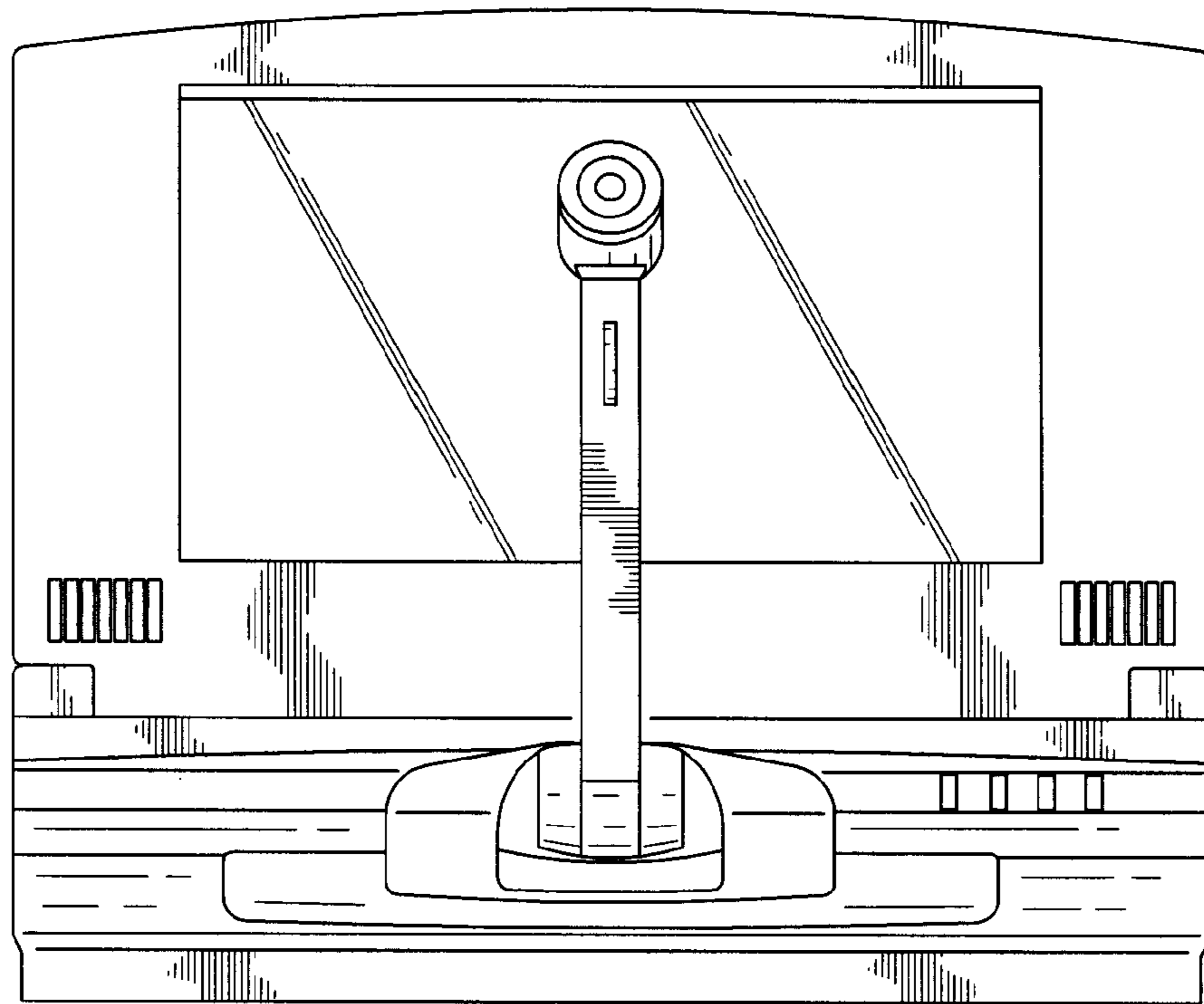


FIG. 2

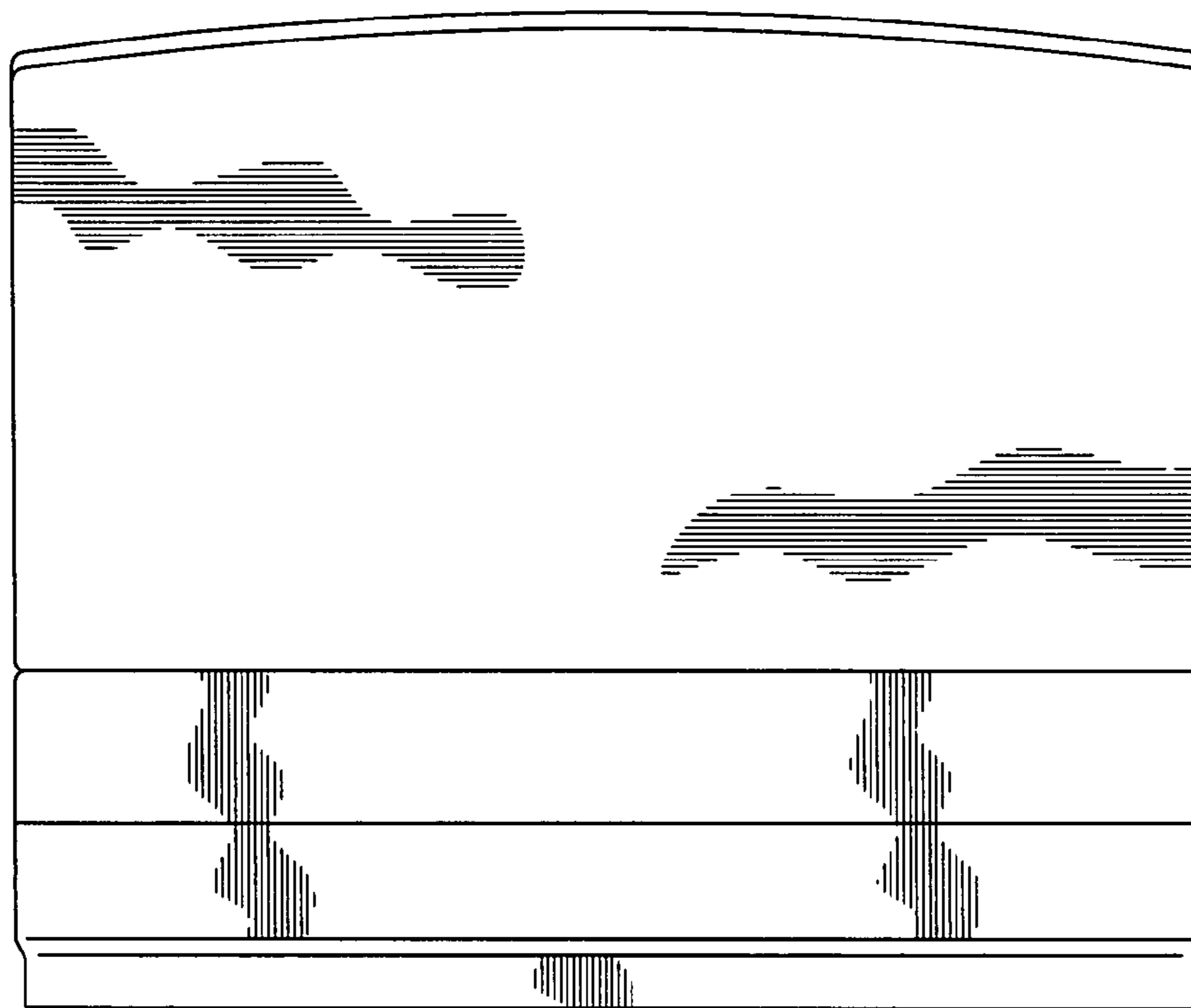


FIG. 3

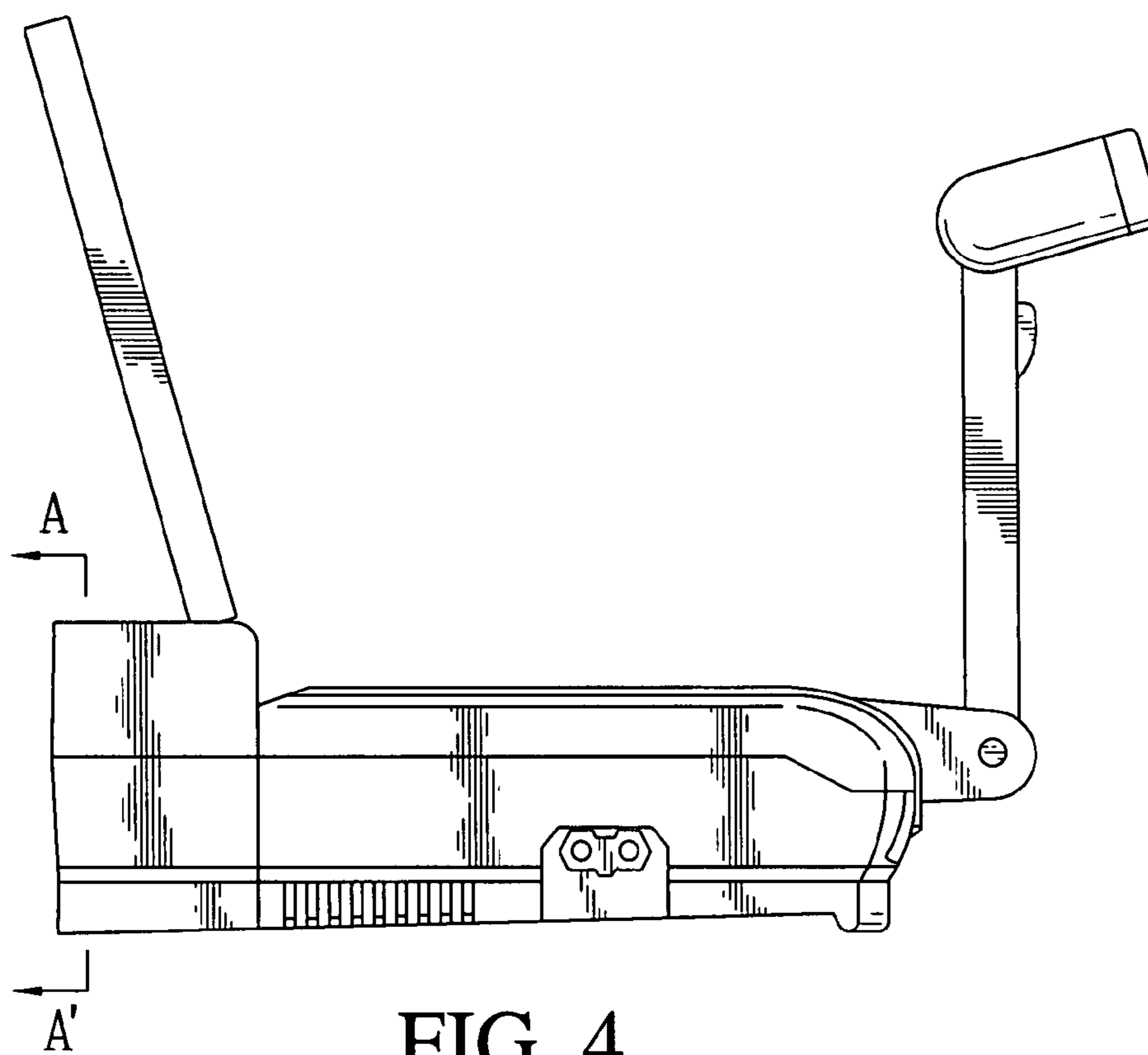


FIG. 4

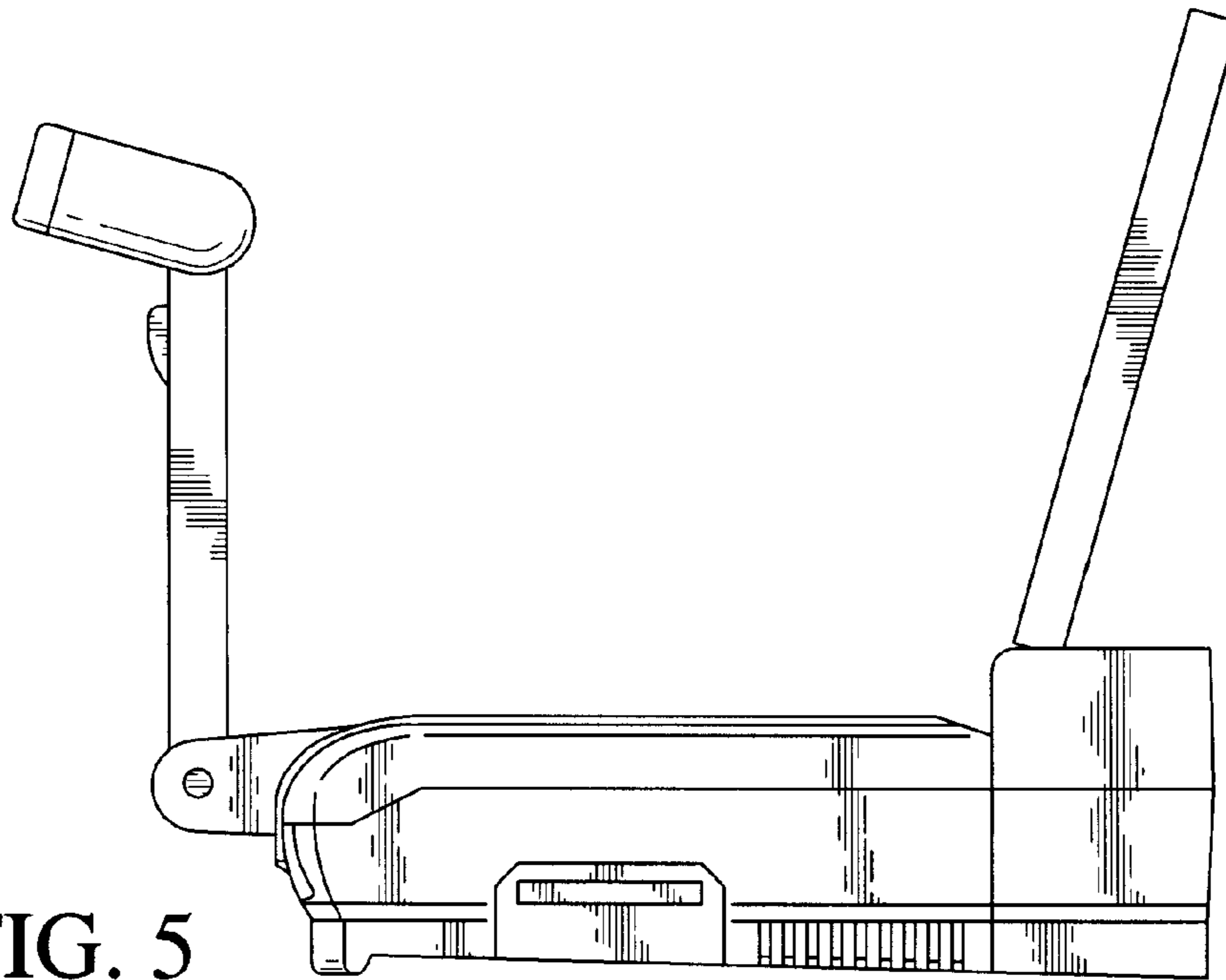


FIG. 5

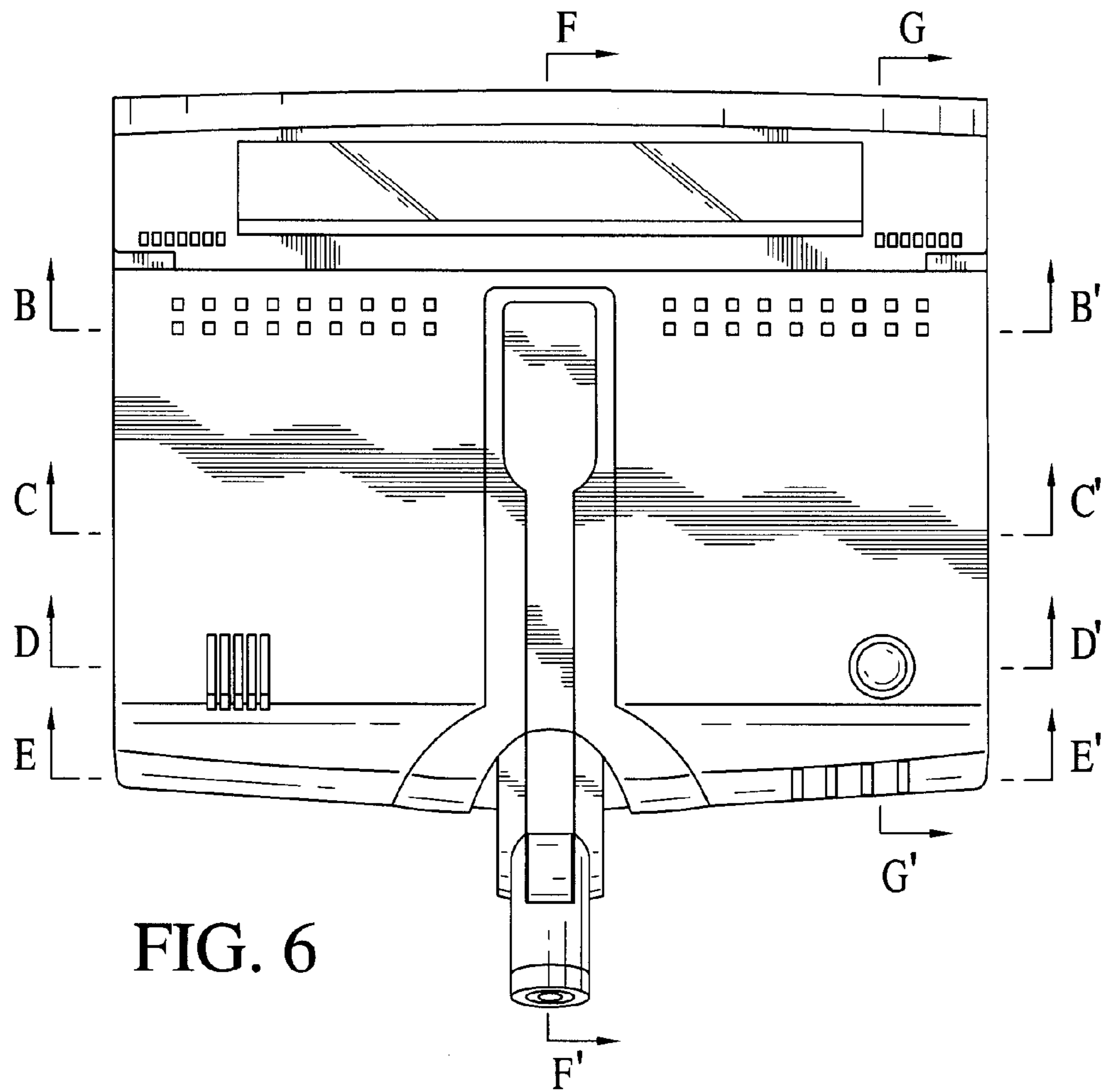


FIG. 6

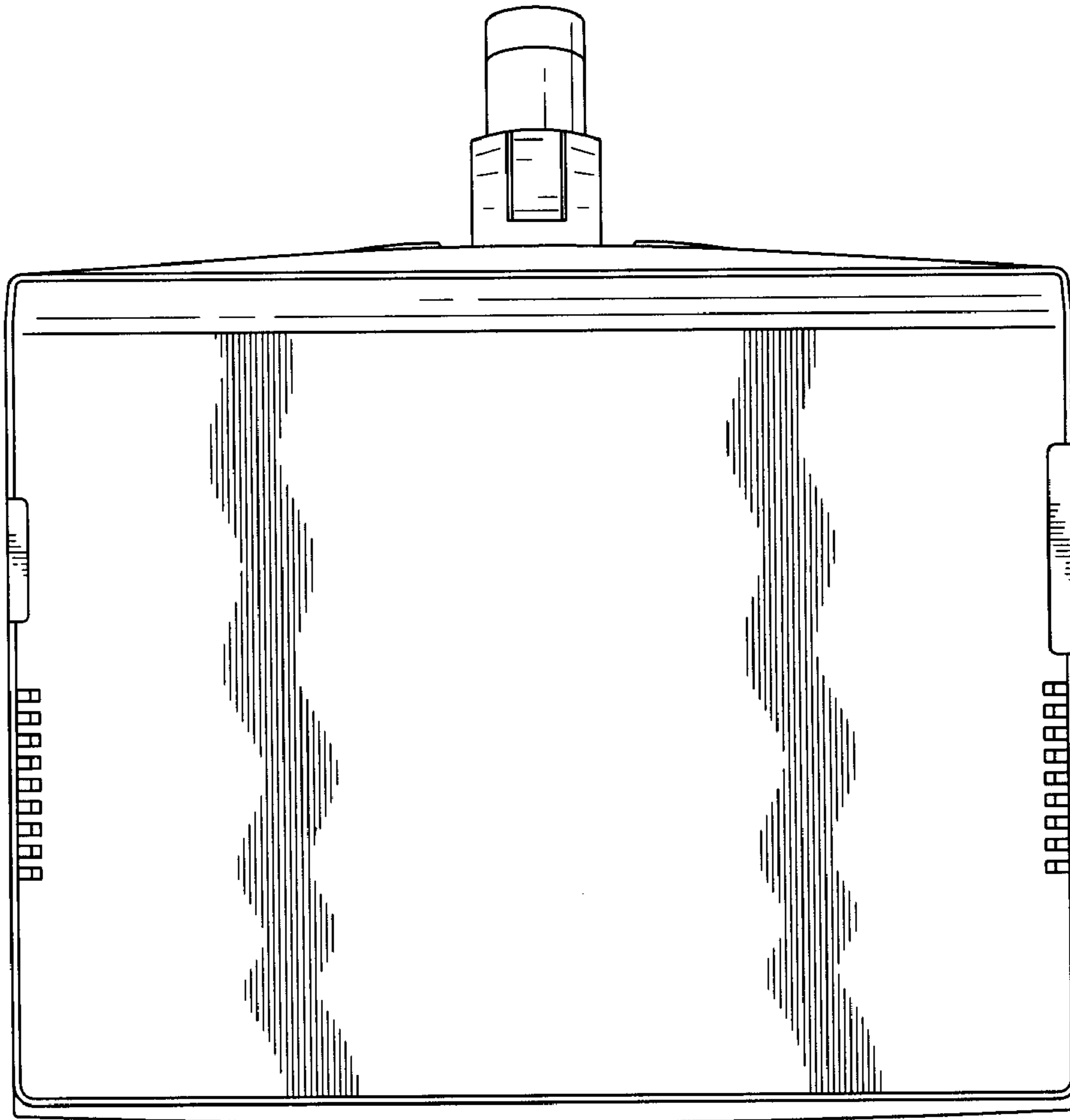


FIG. 7

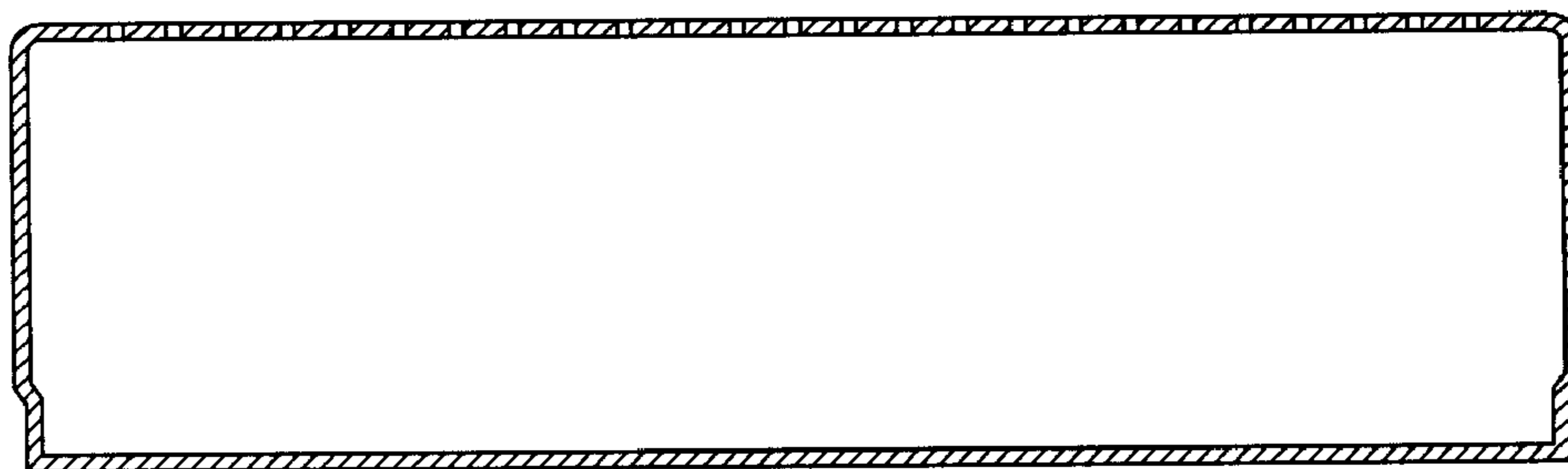


FIG. 8

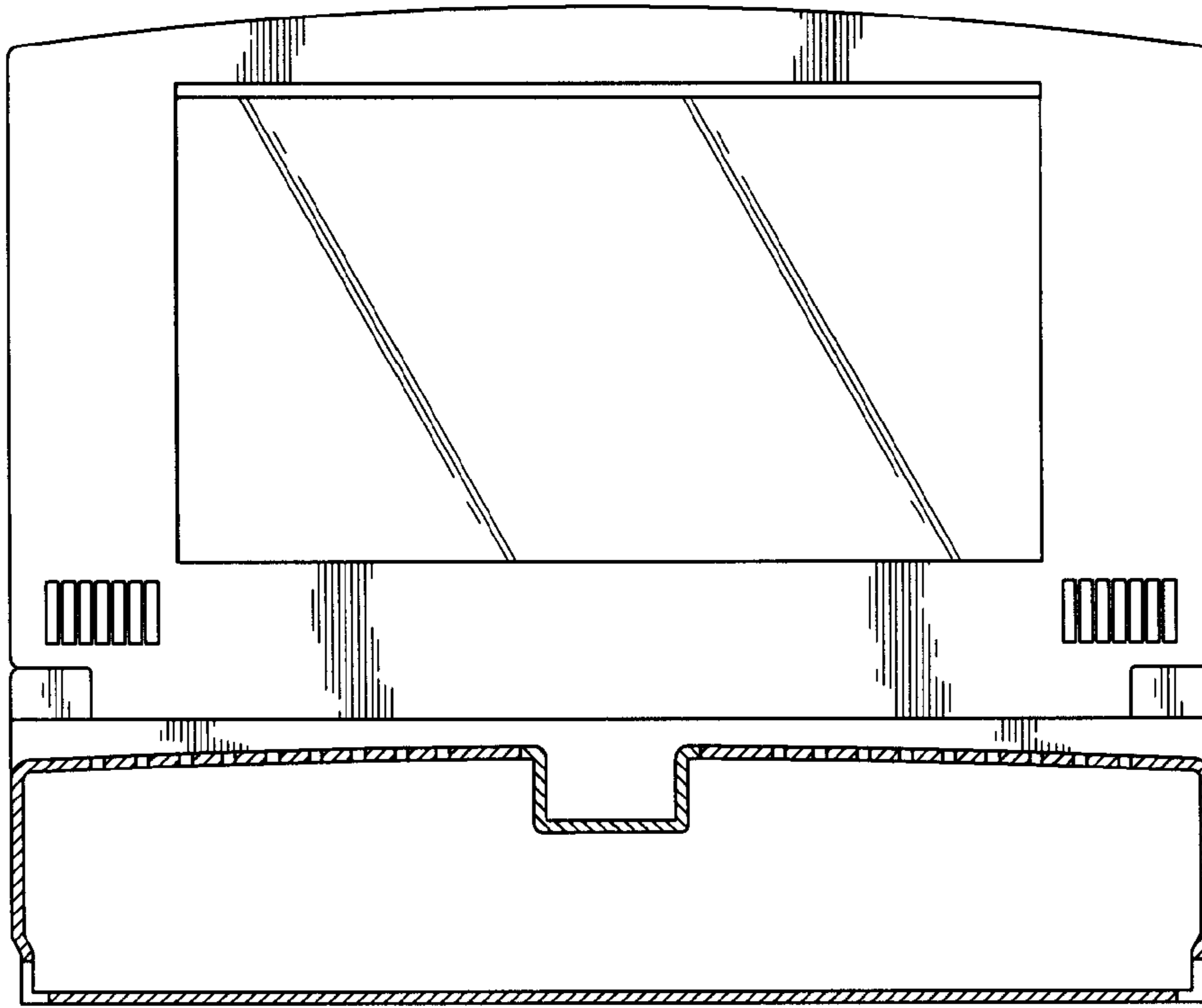


FIG. 9

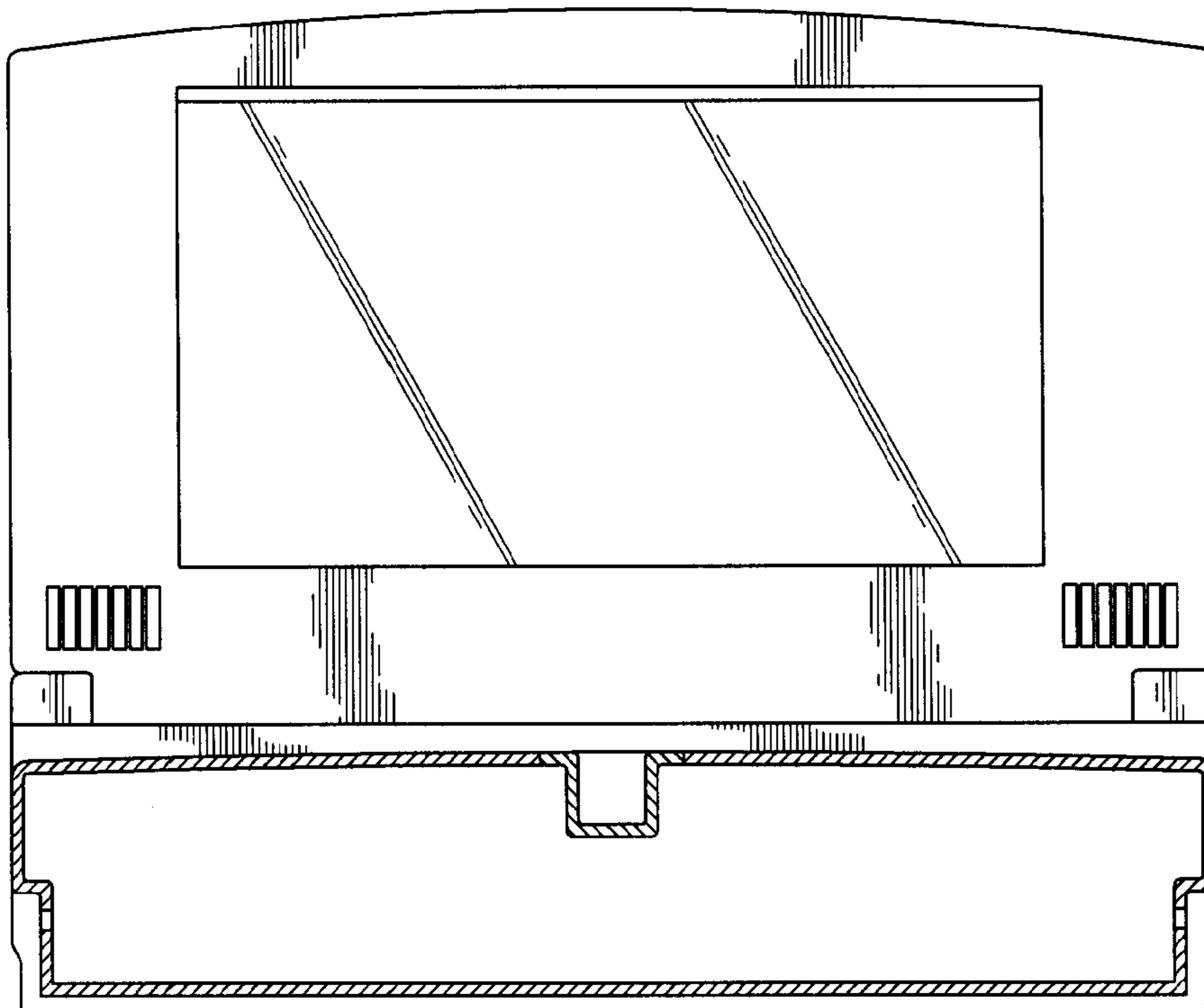


FIG. 10

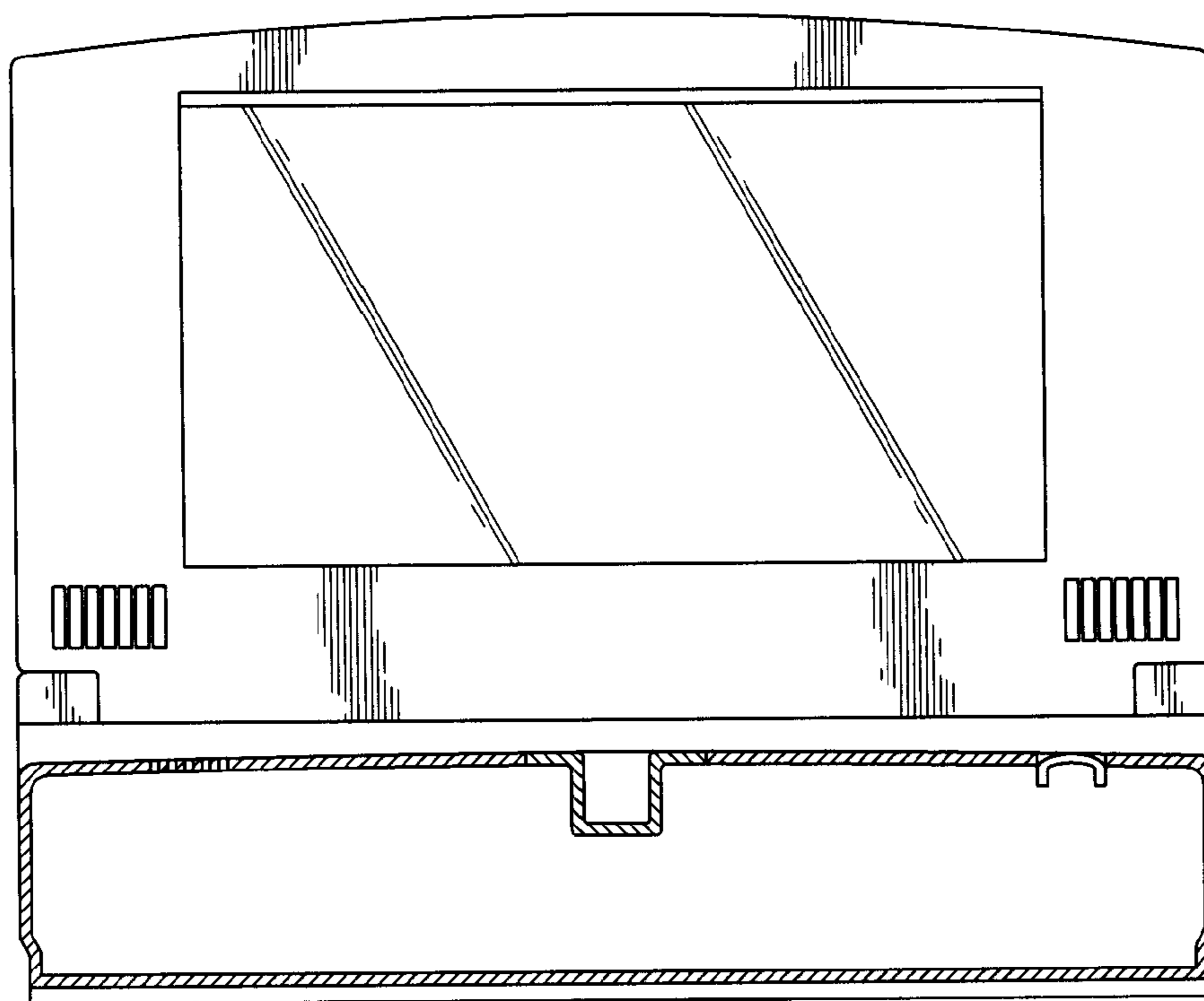


FIG. 11

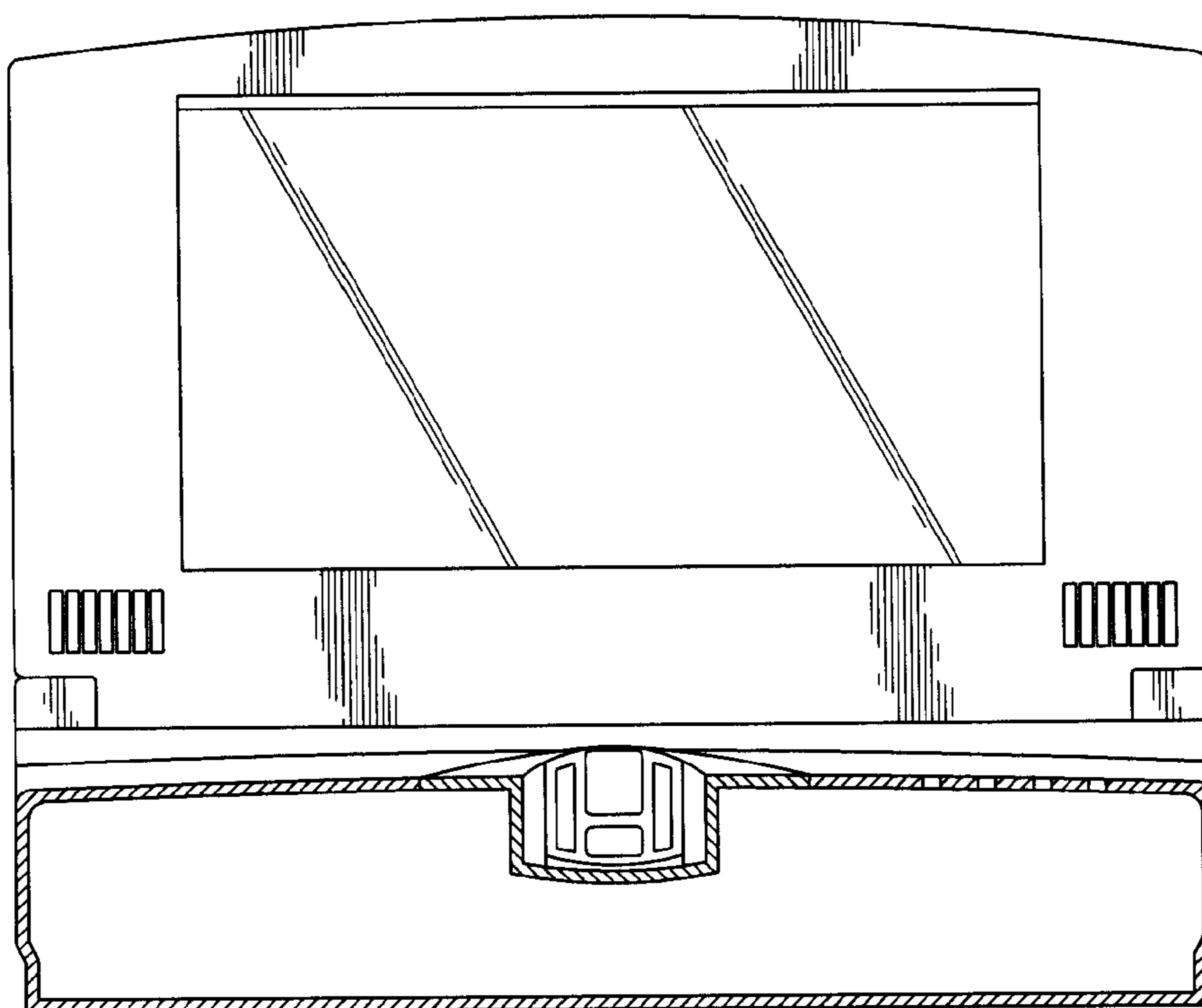


FIG. 12

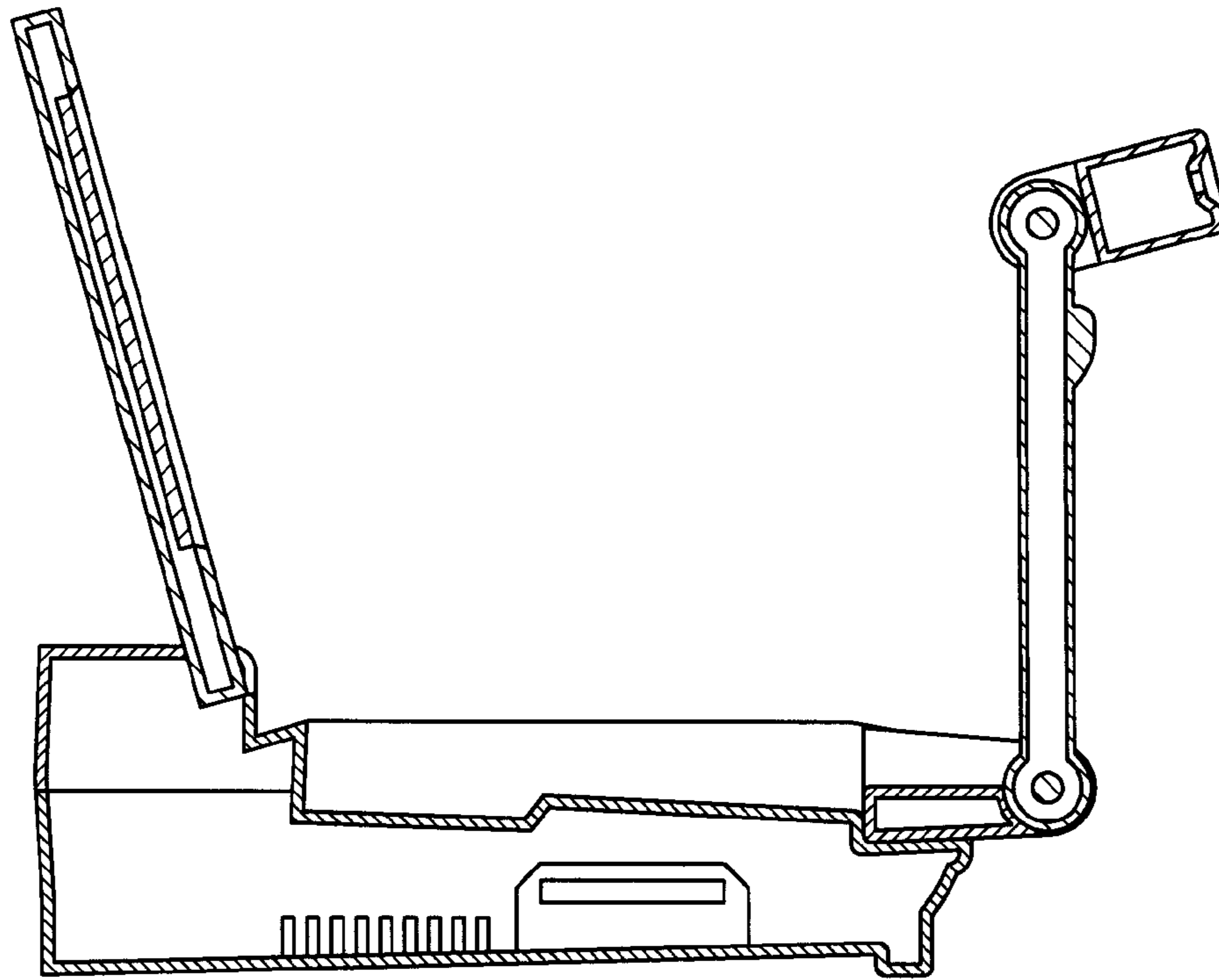


FIG. 13

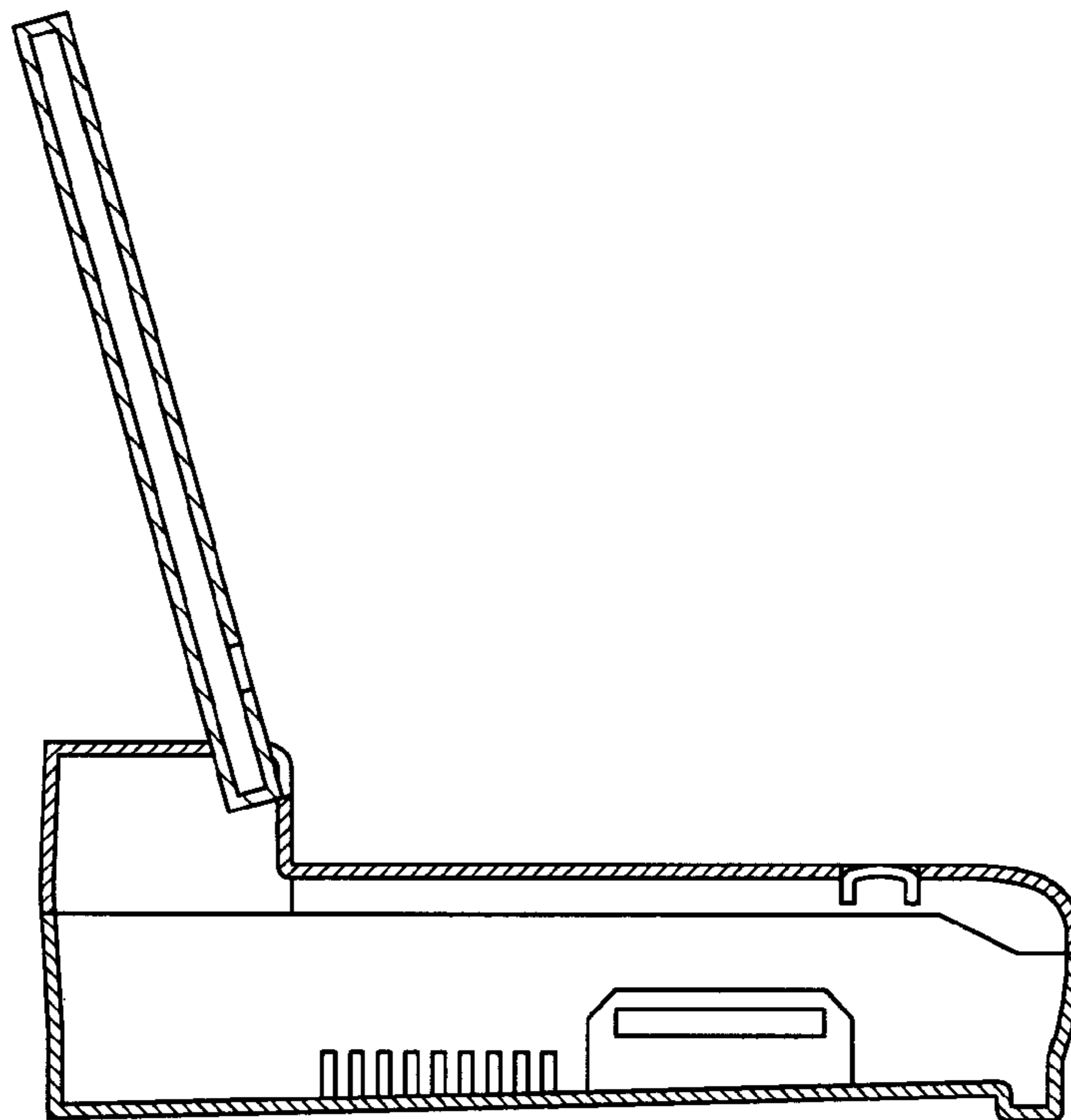


FIG. 14

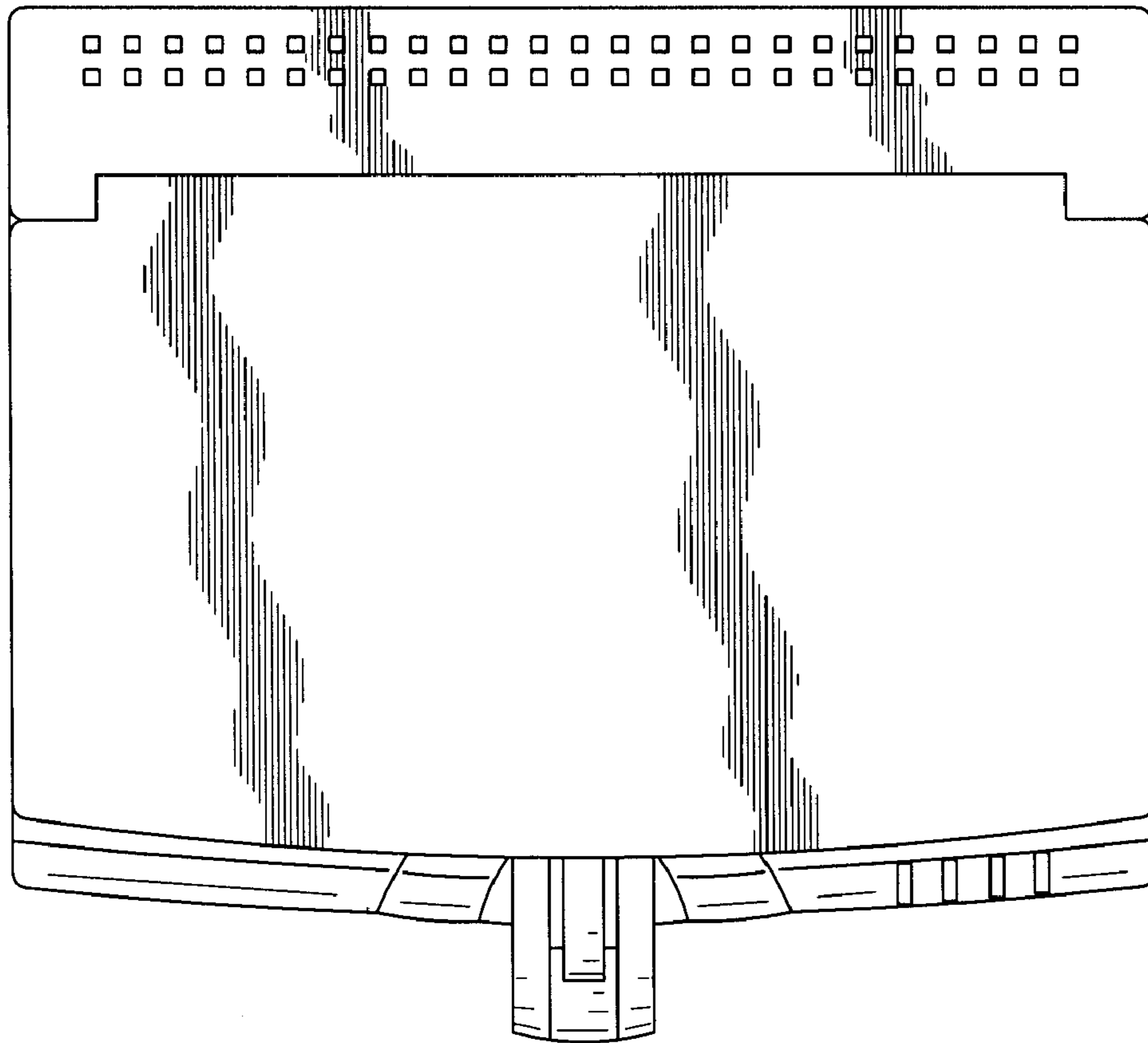


FIG. 15

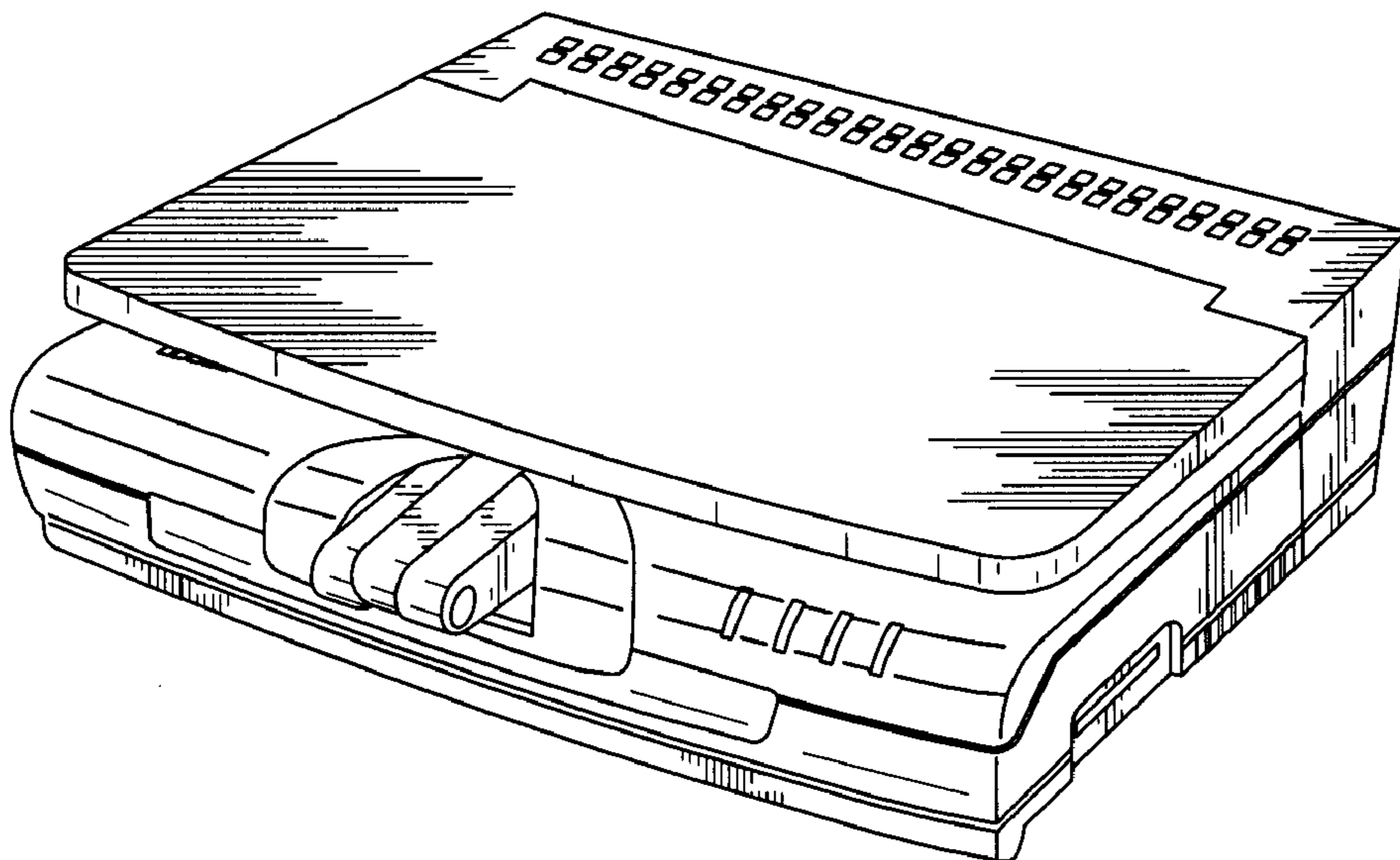


FIG. 16

FIG. 17

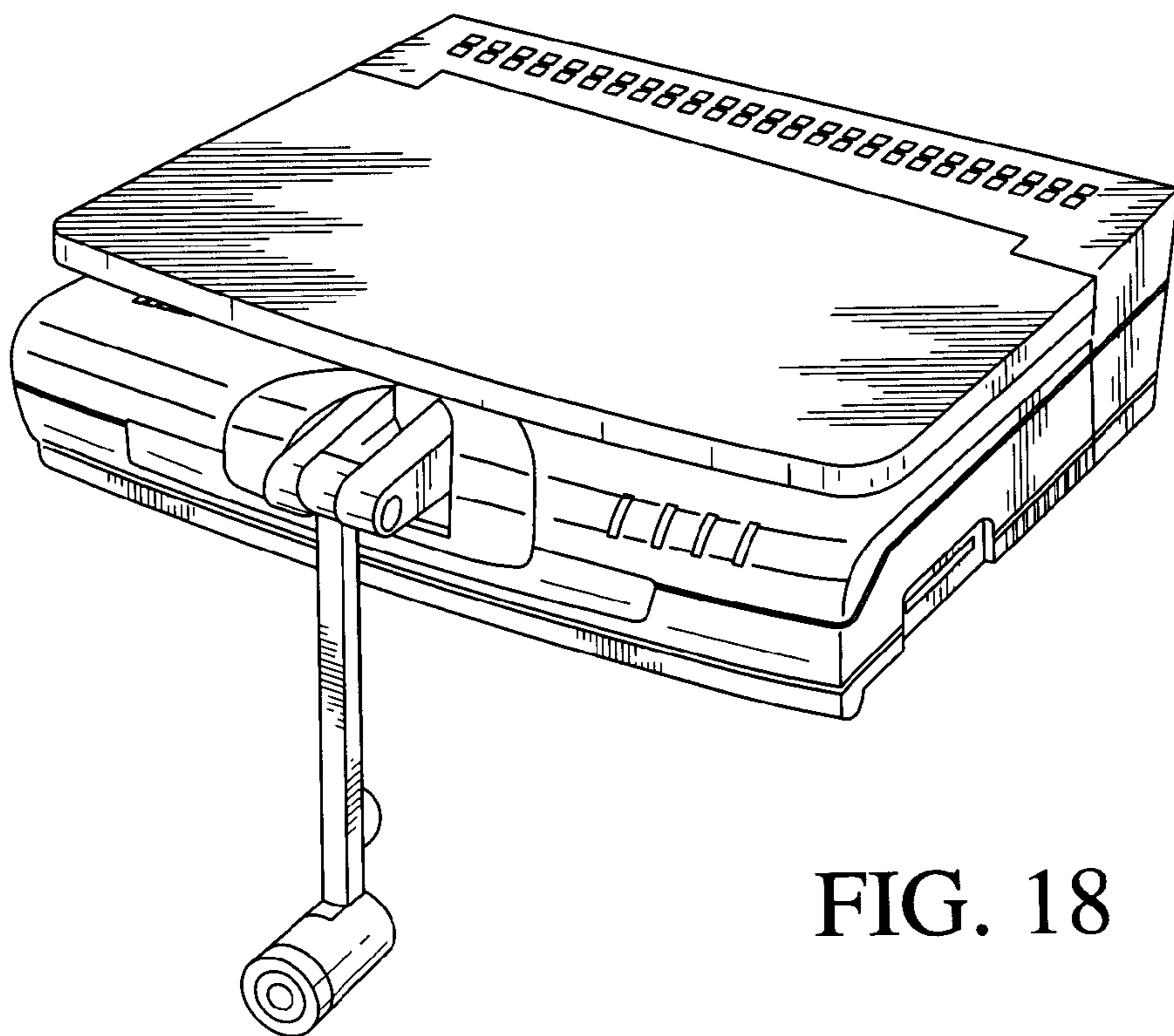
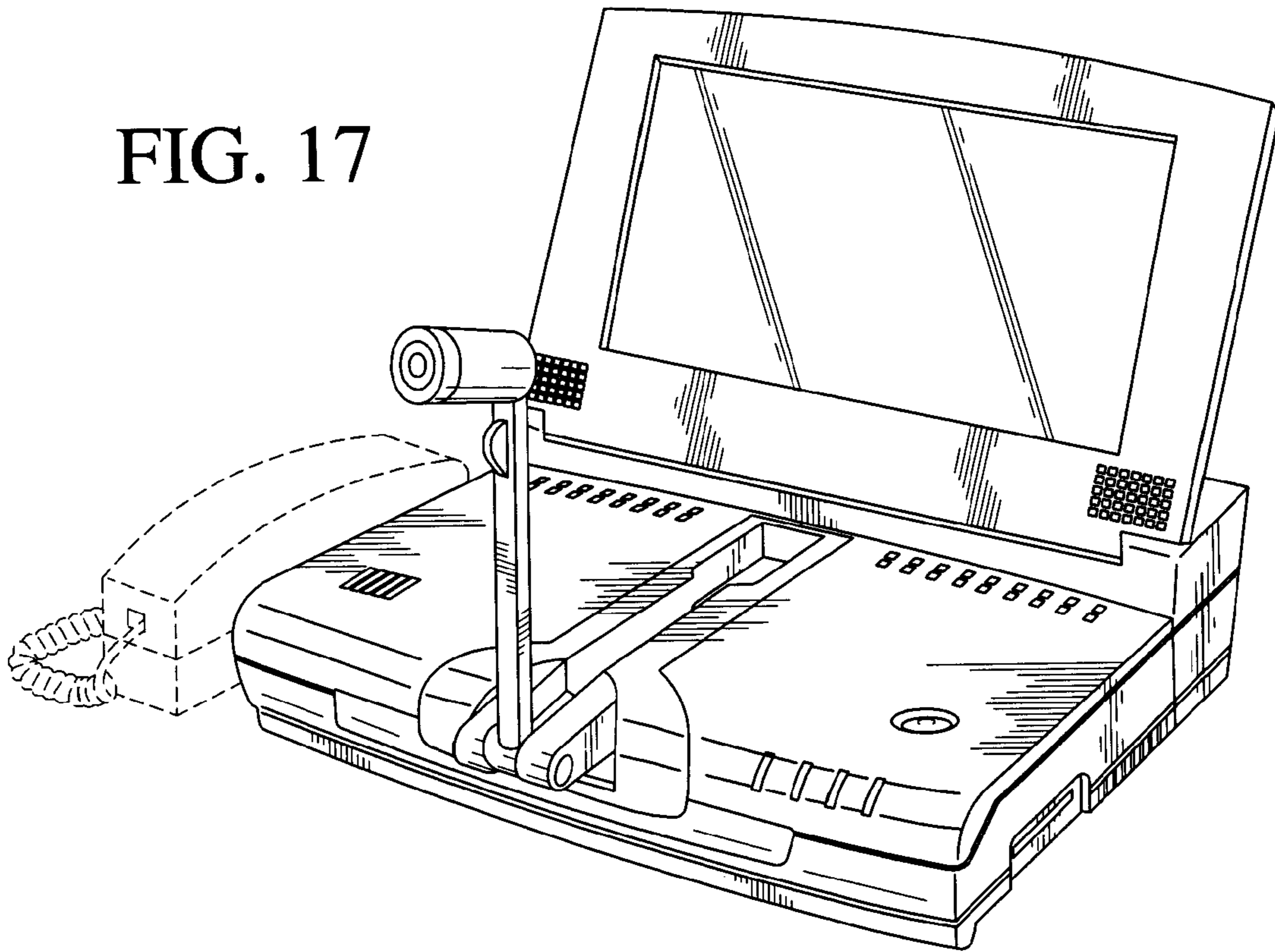


FIG. 18

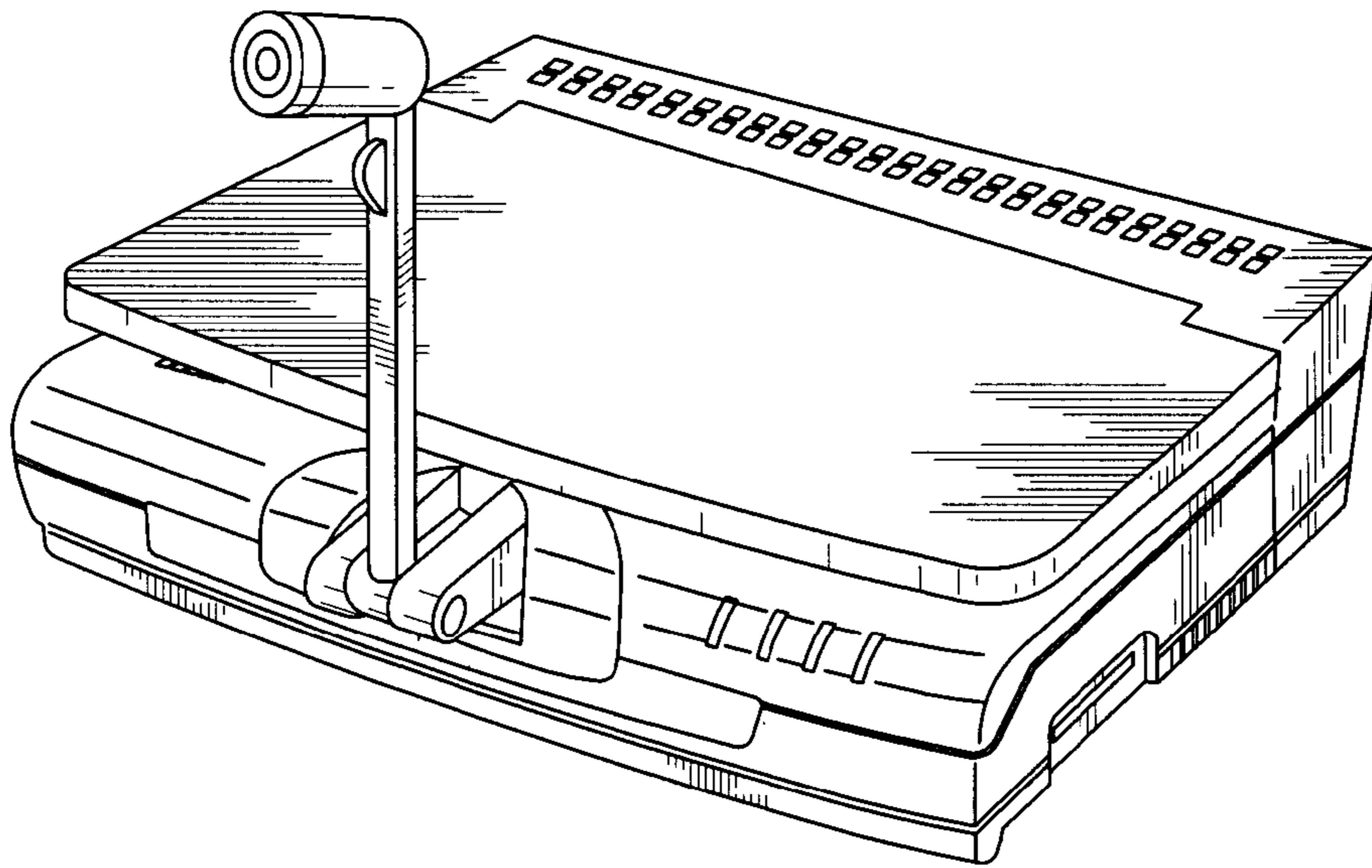


FIG. 19