



US00D550177S

(12) **United States Design Patent**
Yano

(10) **Patent No.:** **US D550,177 S**

(45) **Date of Patent:** **** Sep. 4, 2007**

(54) **TELEVISION RECEIVER**

(75) Inventor: **Ken Yano**, Tokyo (JP)

(73) Assignee: **Sony Corporation**, Tokyo (JP)

(**) Term: **14 Years**

(21) Appl. No.: **29/254,997**

(22) Filed: **Mar. 3, 2006**

(30) **Foreign Application Priority Data**

Dec. 1, 2005 (JP) D2005-035545

(51) **LOC (8) Cl.** **14-03**

(52) **U.S. Cl.** **D14/128**

(58) **Field of Classification Search** D14/125-134,
D14/239, 371, 136, 374-377; 312/7.2; 348/836,
348/838, 180, 184, 325, 739; 341/12; 248/917-924,
248/465; 345/104, 133, 156, 168, 87, 173;
720/605, 669, 600, 655; 369/99, 197; 455/344-347
See application file for complete search history.

(56) **References Cited**

U.S. PATENT DOCUMENTS

- 5,467,154 A * 11/1995 Gale et al. 348/794
- D438,180 S * 2/2001 Izu et al. D14/126
- D441,732 S 5/2001 Ota
- D472,533 S 4/2003 Kanatani et al.
- D483,020 S * 12/2003 Nagao et al. D14/126
- D486,456 S 2/2004 Fujiki

- D488,450 S * 4/2004 Ohba et al. D14/126
- D488,785 S * 4/2004 Ohba et al. D14/129
- D499,386 S * 12/2004 Yang D14/126
- D504,669 S 5/2005 Fujiki
- D511,753 S * 11/2005 Joe et al. D14/128

OTHER PUBLICATIONS

- U.S. Appl. No. 29/214,466, filed Oct. 5, 2004.
- U.S. Appl. No. 29/233,195, filed Jun. 30, 2004.
- U.S. Appl. No. 29/252,457, filed Jan. 24, 2006.

* cited by examiner

Primary Examiner—Raphael Barkai

(74) *Attorney, Agent, or Firm*—Rader, Fishman & Grauer PLLC

(57) **CLAIM**

The ornamental design for a television receiver, as shown.

DESCRIPTION

FIG. 1 is a perspective view of a television receiver showing my new design;

FIG. 2 is a front elevational view thereof;

FIG. 3 is a rear elevational view thereof;

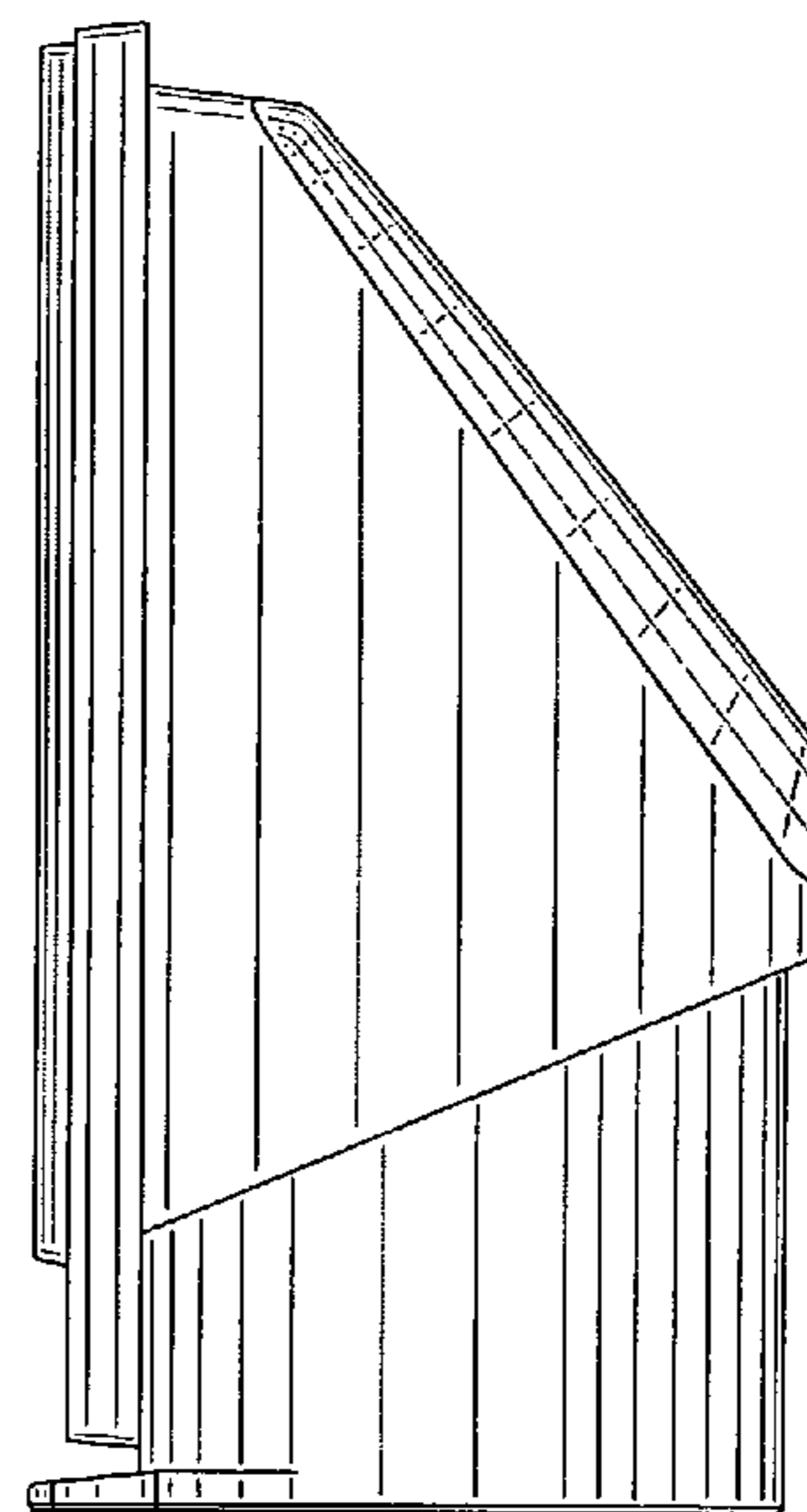
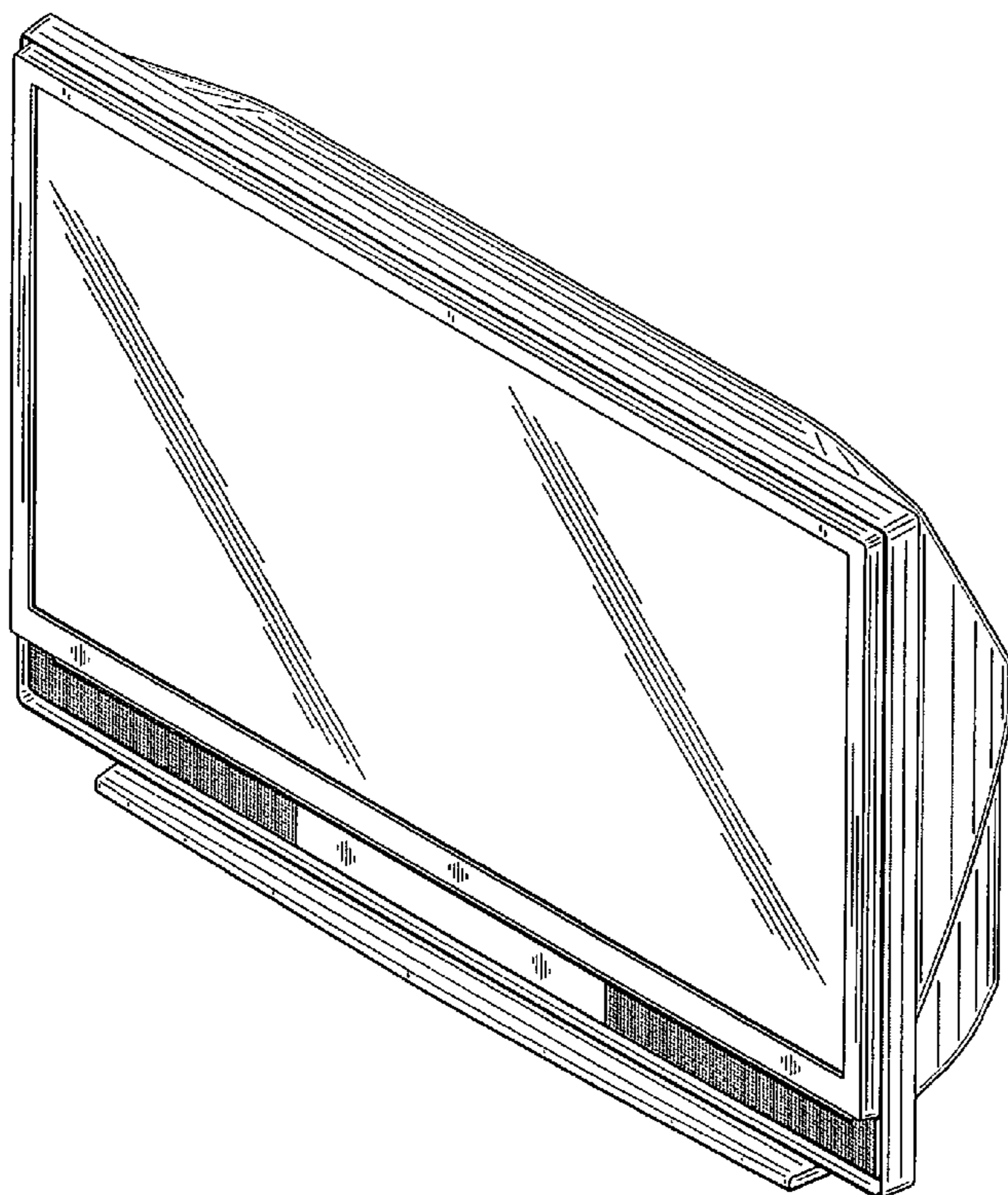
FIG. 4 is a left side elevational view thereof;

FIG. 5 is a right side elevational view thereof;

FIG. 6 is a top plan view thereof; and,

FIG. 7 is a bottom plan view thereof.

1 Claim, 7 Drawing Sheets



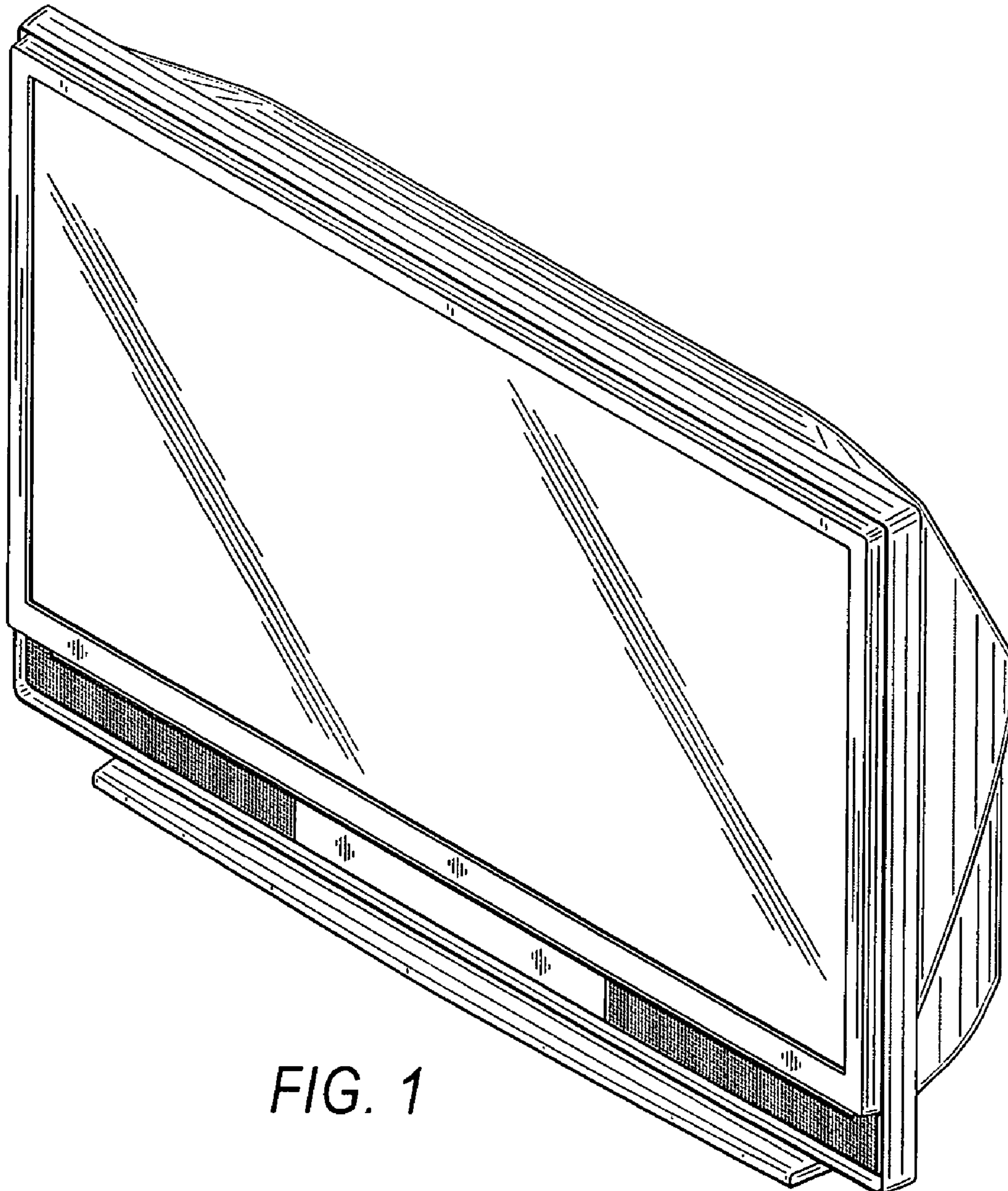


FIG. 1

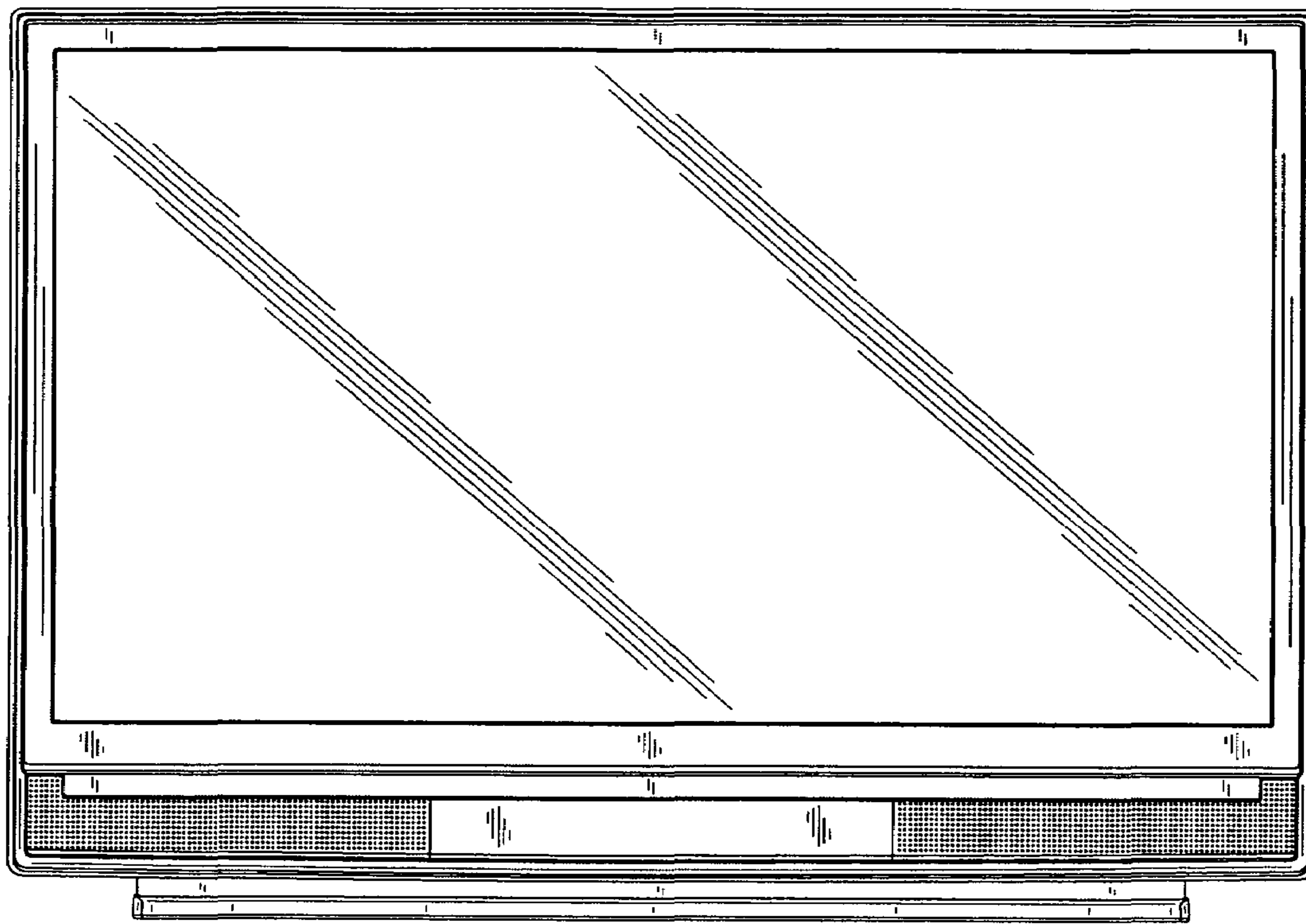


FIG. 2

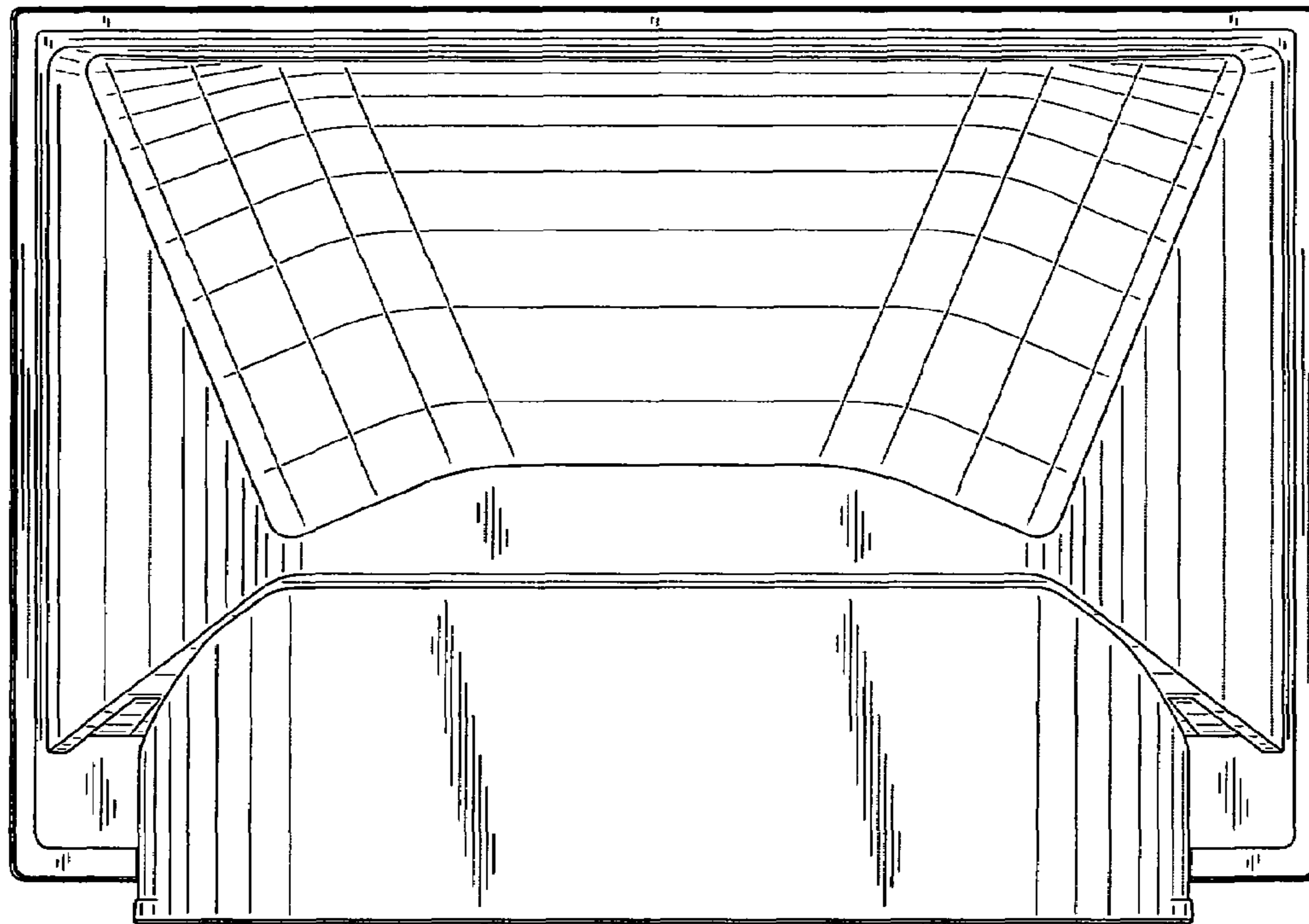


FIG. 3

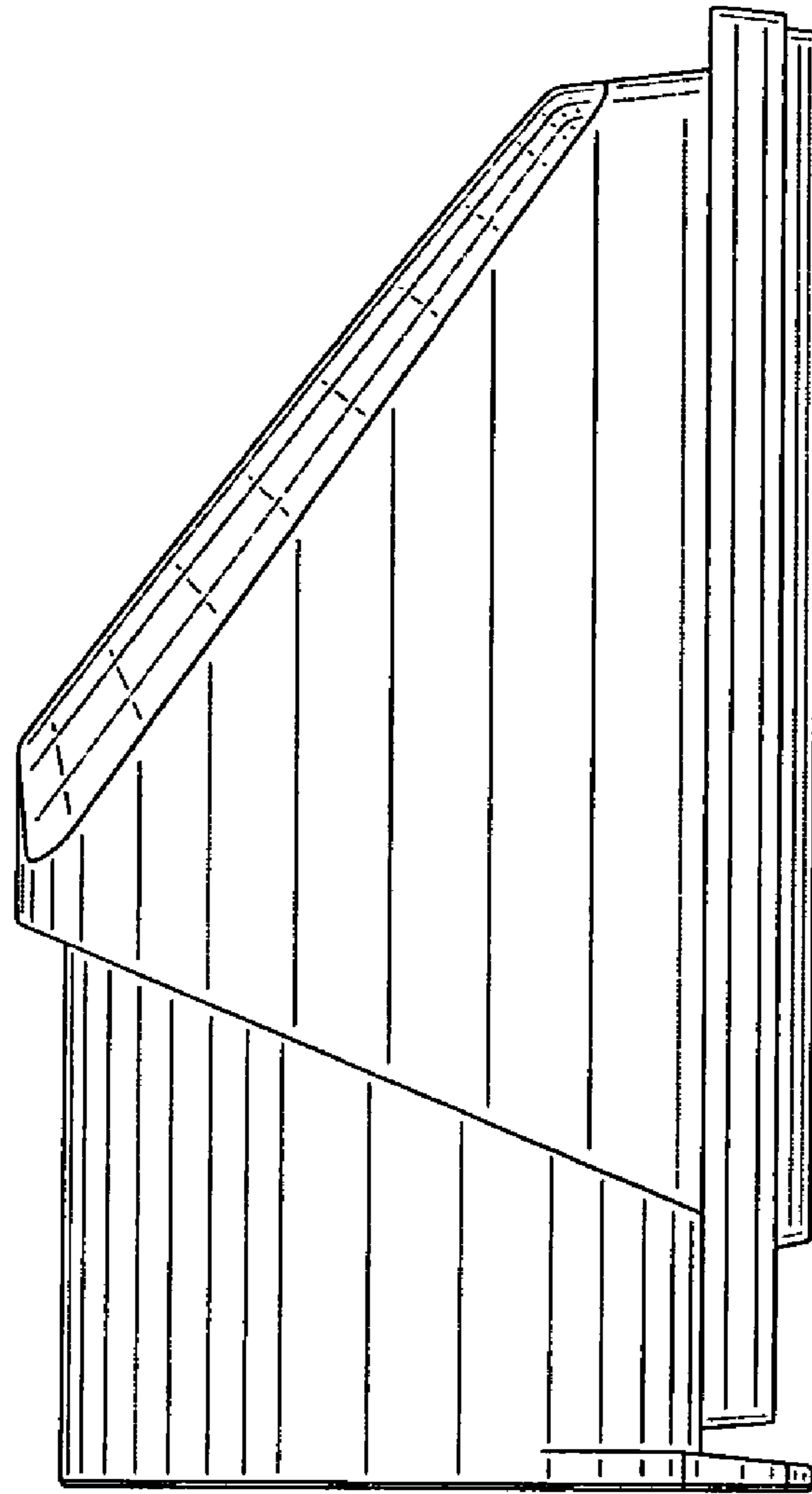


FIG. 4

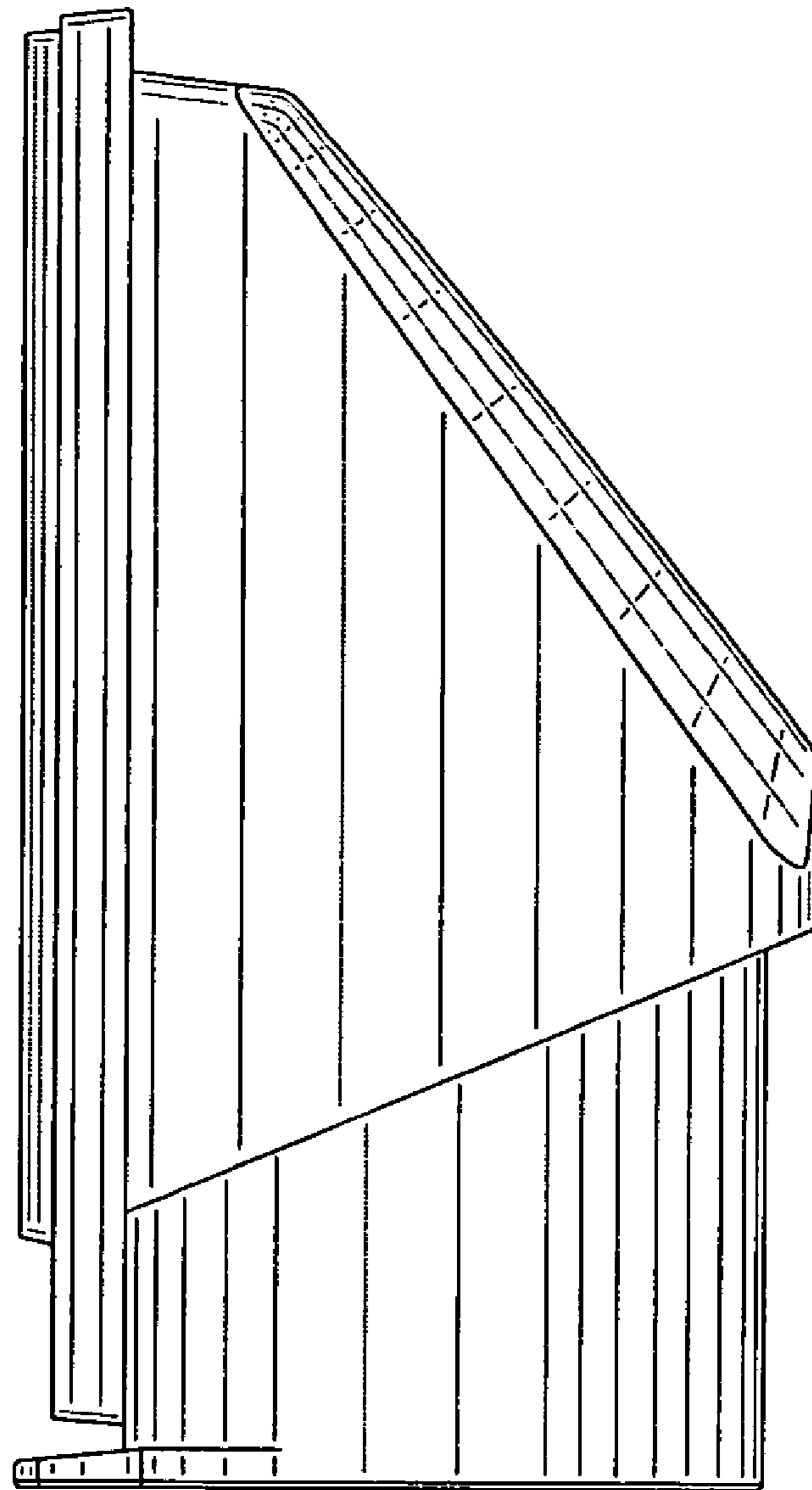


FIG. 5

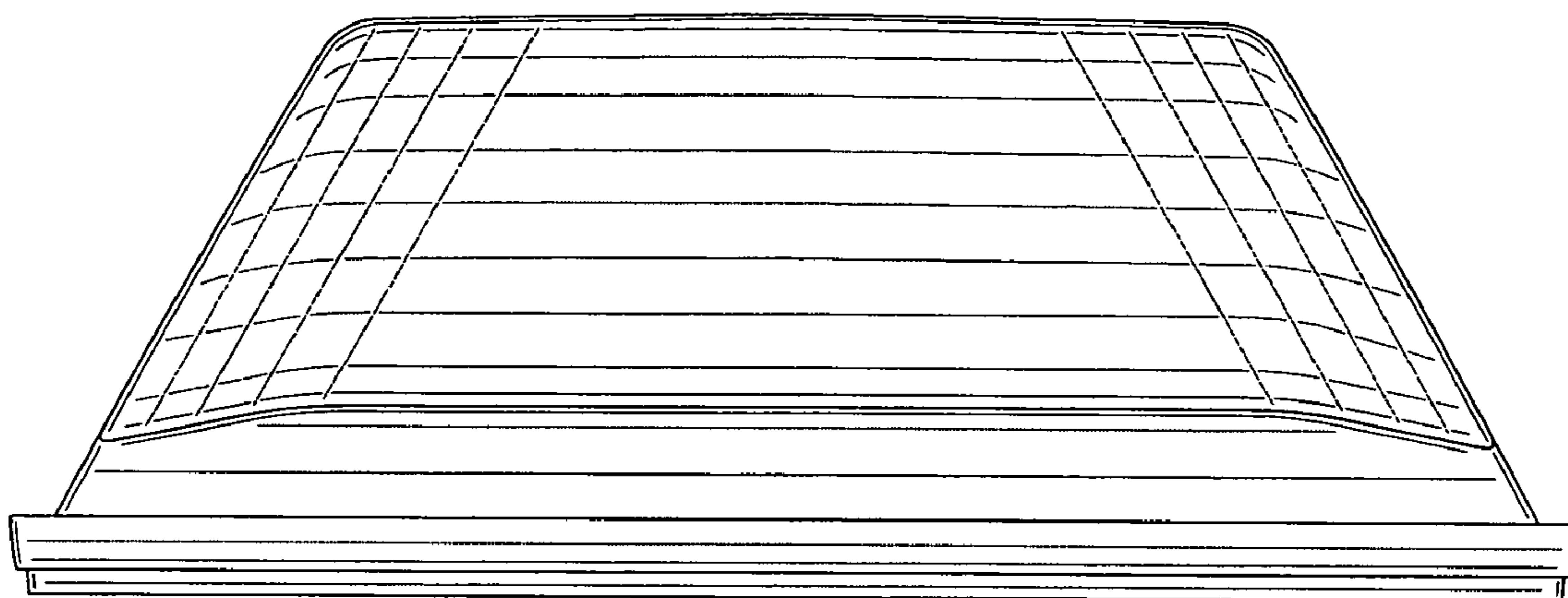


FIG. 6

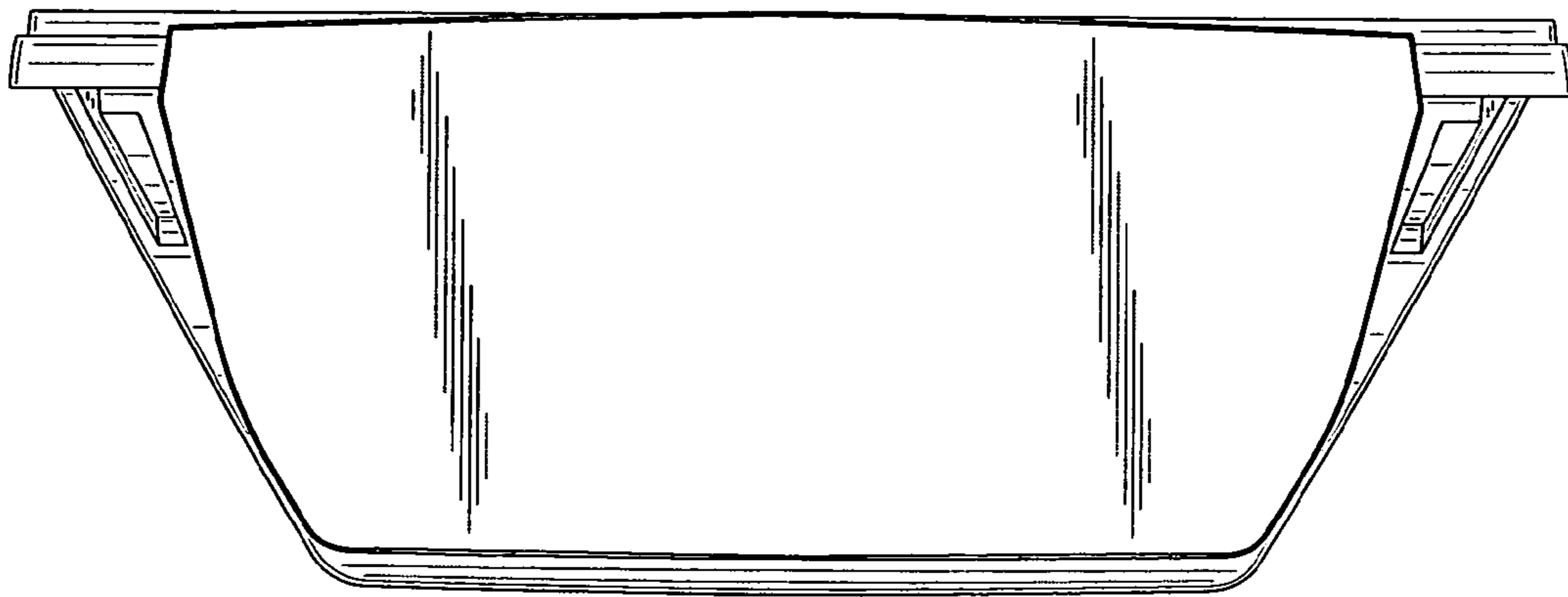


FIG. 7