



US00D550174S

(12) **United States Design Patent**
Deguchi

(10) **Patent No.:** **US D550,174 S**
(45) **Date of Patent:** **** Sep. 4, 2007**

(54) **IMAGE VIEWER**

(75) Inventor: **Michio Deguchi**, Tokyo (JP)

(73) Assignee: **Sony Corporation**, Tokyo (JP)

(**) Term: **14 Years**

(21) Appl. No.: **29/241,987**

(22) Filed: **Nov. 4, 2005**

(51) **LOC (8) Cl.** **14-03**

(52) **U.S. Cl.** **D14/126**

(58) **Field of Classification Search** D14/125-134,
D14/239, 371, 136, 374-377; 312/7.2; 348/836,
348/838, 180, 184, 325, 739; 341/12; 248/917-924,
248/465; 345/104, 133, 156, 168, 87, 173;
720/605, 669, 600, 655; 369/99, 197; 455/344-347
See application file for complete search history.

(56) **References Cited**

U.S. PATENT DOCUMENTS

D407,388 S *	3/1999	Liao	D14/374
5,947,440 A *	9/1999	Cho	361/681
D425,067 S *	5/2000	Nguyen et al.	D14/191
D438,849 S *	3/2001	Adachi et al.	D14/132
D461,175 S *	8/2002	Yokota	D14/341
D467,512 S	12/2002	Miyazaki		
D475,984 S *	6/2003	Chen et al.	D14/126
D481,718 S *	11/2003	Chiang et al.	D14/341
D501,185 S	1/2005	Sato et al.		
D506,733 S *	6/2005	Boyer, Jr.	D14/126
D509,827 S *	9/2005	Johnson	D14/374
7,019,794 B2 *	3/2006	Norvell et al.	248/918
D534,153 S *	12/2006	Naruki	D14/167
D536,360 S *	2/2007	Dayan	D14/126

FOREIGN PATENT DOCUMENTS

JP D1124928 S 10/2001

JP	D1124929 S	10/2001
JP	D1185503 S	9/2003
JP	D1196778 S	2/2004
JP	D1206533 S	5/2004
JP	D1206985 S	5/2004
JP	D1206986 S	5/2004
JP	D1206987 S	5/2004
JP	D1207556 S	6/2004

OTHER PUBLICATIONS

Web page "AV340 Video Recorder" http://www.archos.com/products/prw_500521.html, 1 sheet, Archos (Sep. 2005).

Web page "P-2000" <http://www.i-love-epson.co.jp/products/photofine/p2000/p20001.html>, 1 sheet, Epson (Sep. 2005).

Web page "HMP-A1" <http://www.ecat.sony.co.jp/computer/acc/products/index.cfm?PD=HMP-A1>, 1 sheet, Sony (Sep. 2005).

U.S. Appl. No. 29/221,987, dated Jan. 26, 2005.

* cited by examiner

Primary Examiner—Raphael Barkai

(74) *Attorney, Agent, or Firm*—Rader, Fishman & Grauer PLLC

(57) **CLAIM**

The ornamental design for an image viewer, as shown.

DESCRIPTION

FIG. 1 is a perspective view of a camera showing my new design;

FIG. 2 is a front elevational view thereof;

FIG. 3 is a rear elevational view thereof;

FIG. 4 is a left side elevational view thereof;

FIG. 5 is a right side elevational view thereof;

FIG. 6 is a top plan view thereof; and,

FIG. 7 is a bottom plan view thereof.

1 Claim, 7 Drawing Sheets

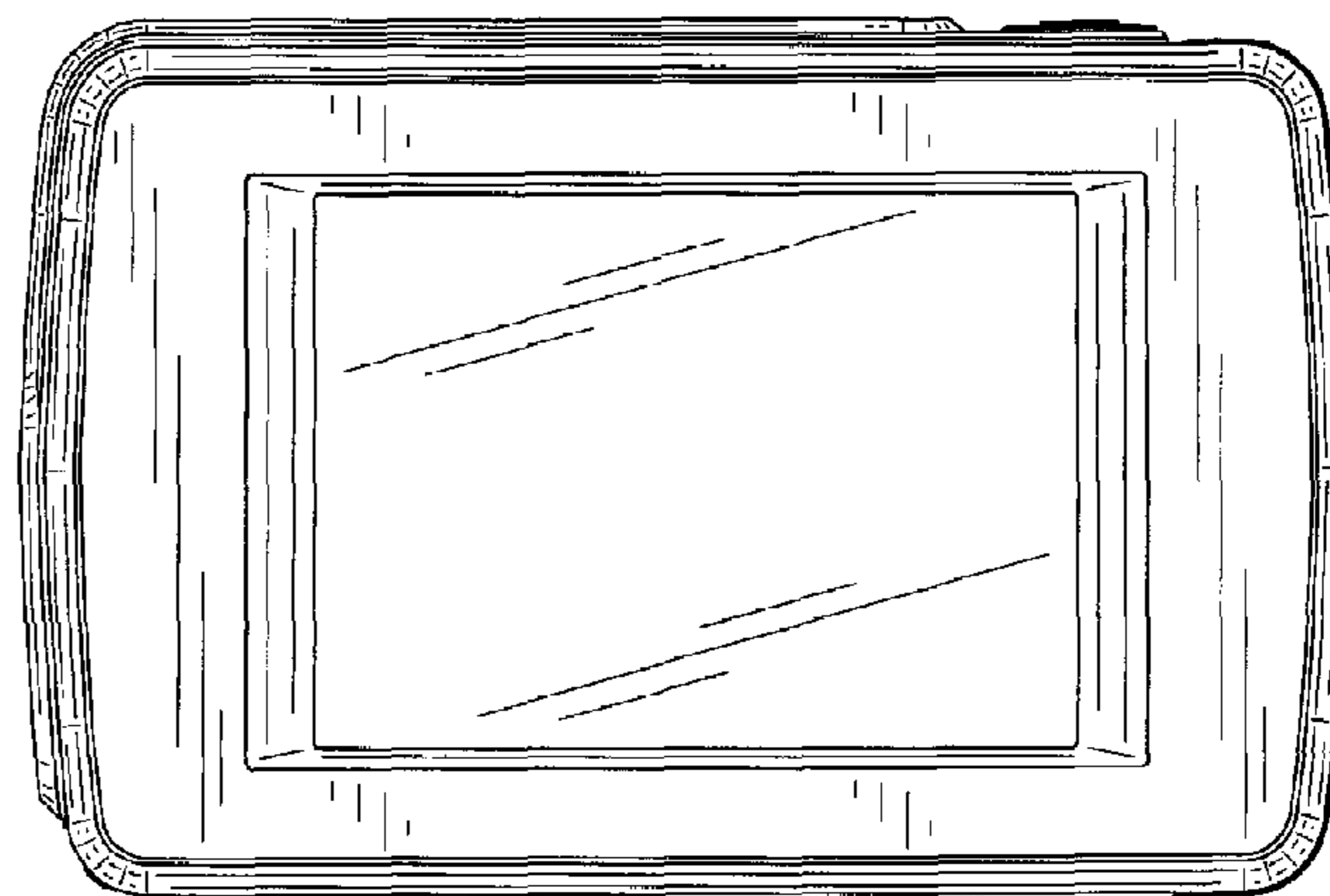
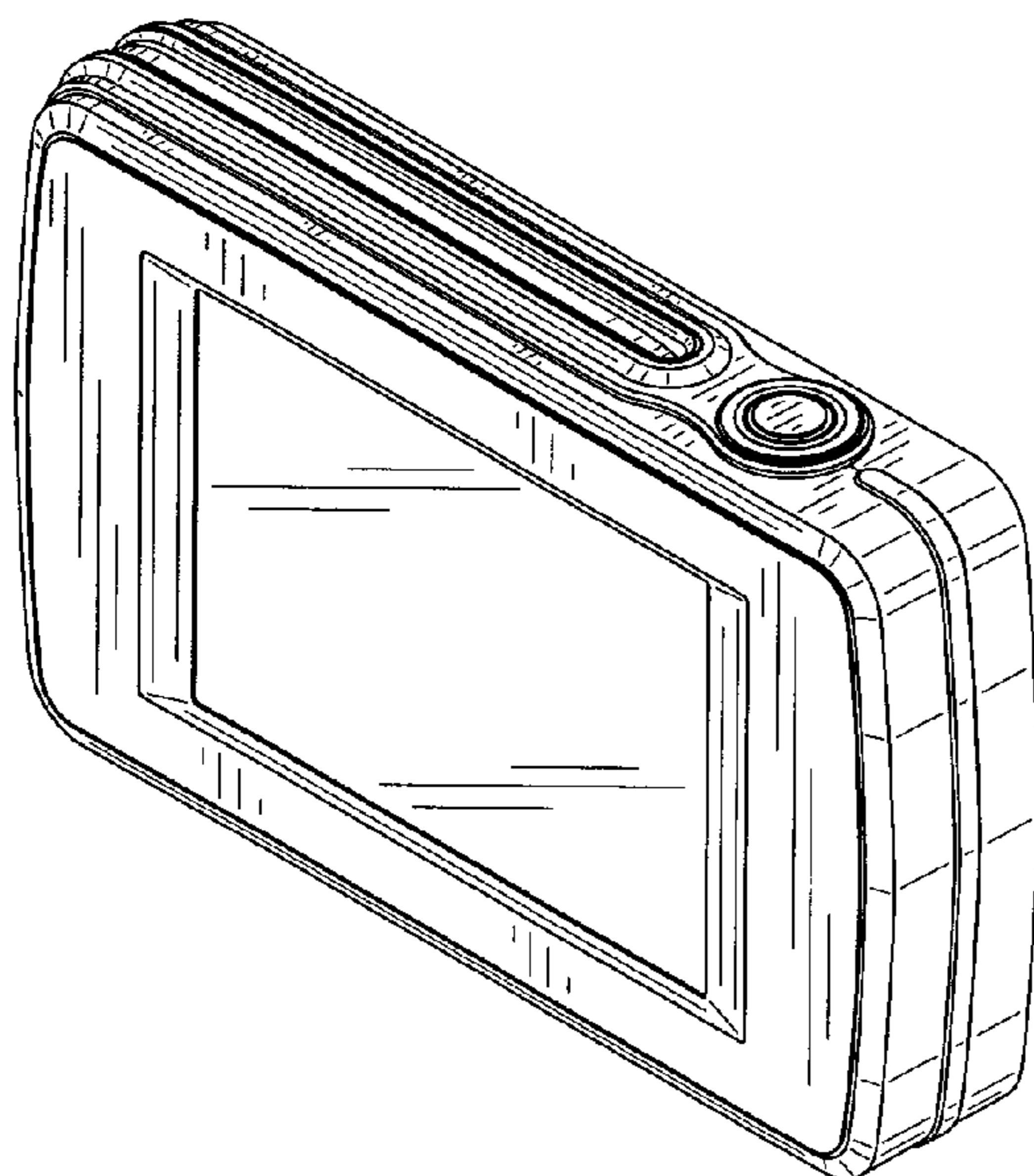


Fig. 1

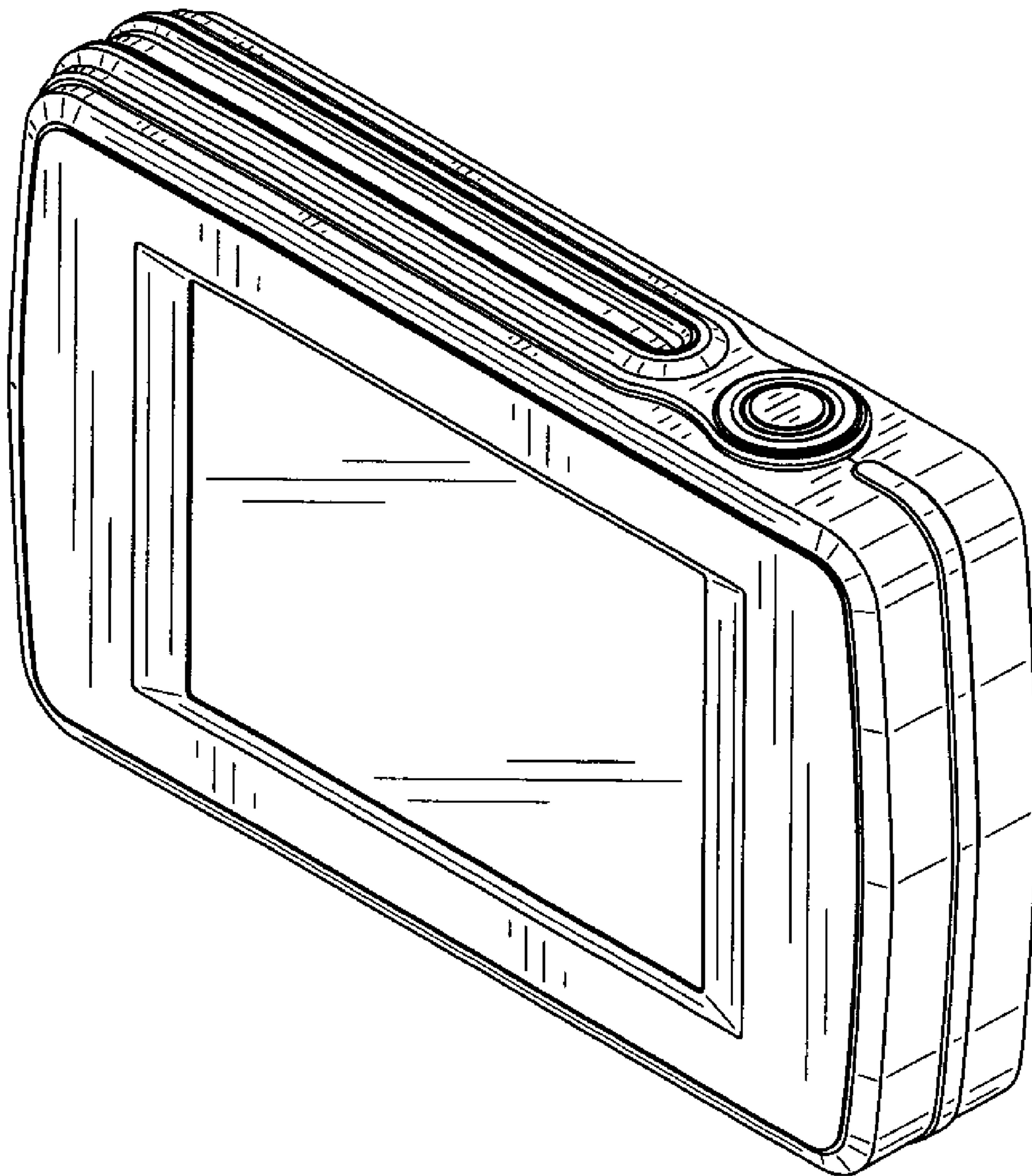


Fig.2

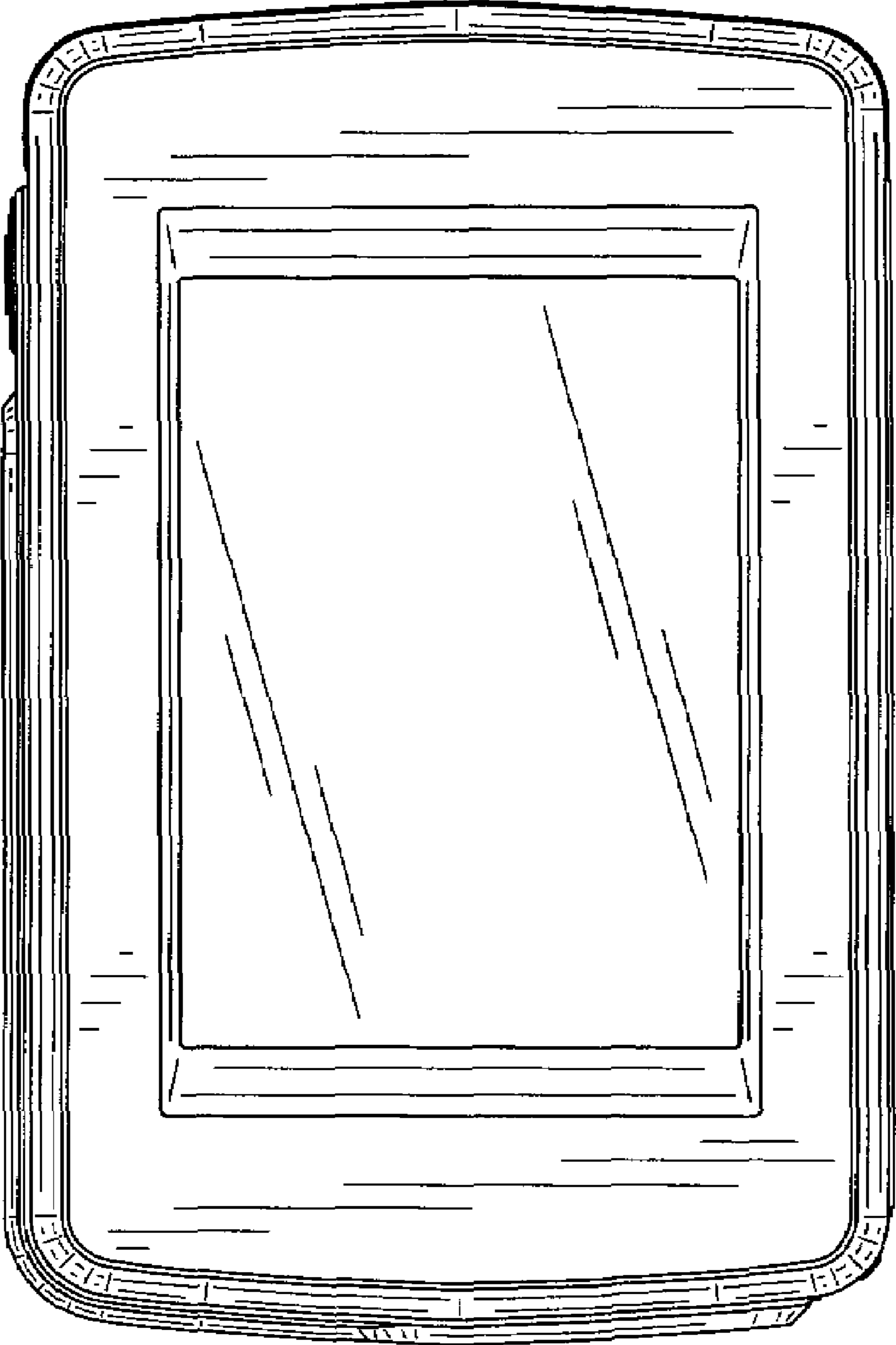


Fig. 3

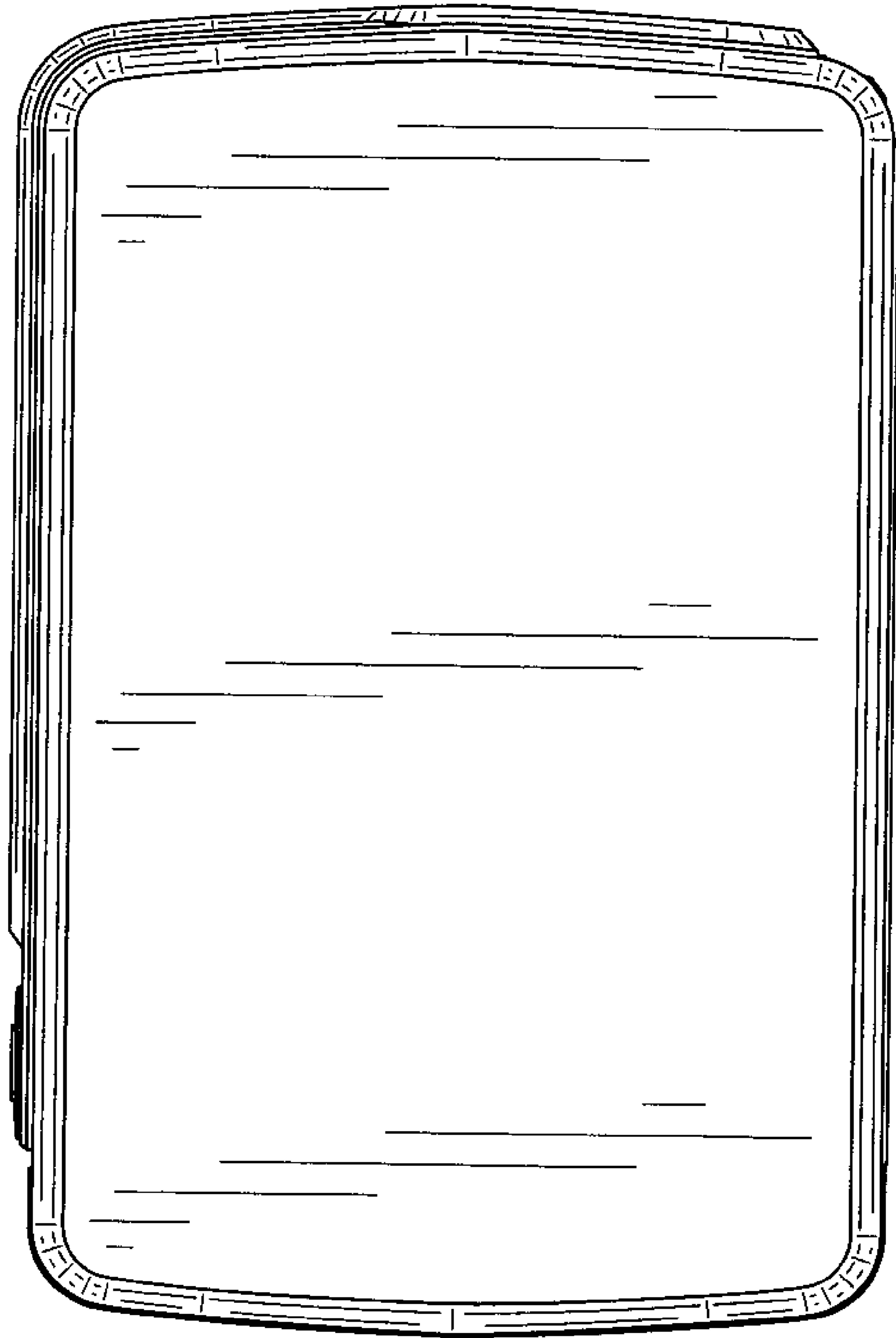


Fig.4

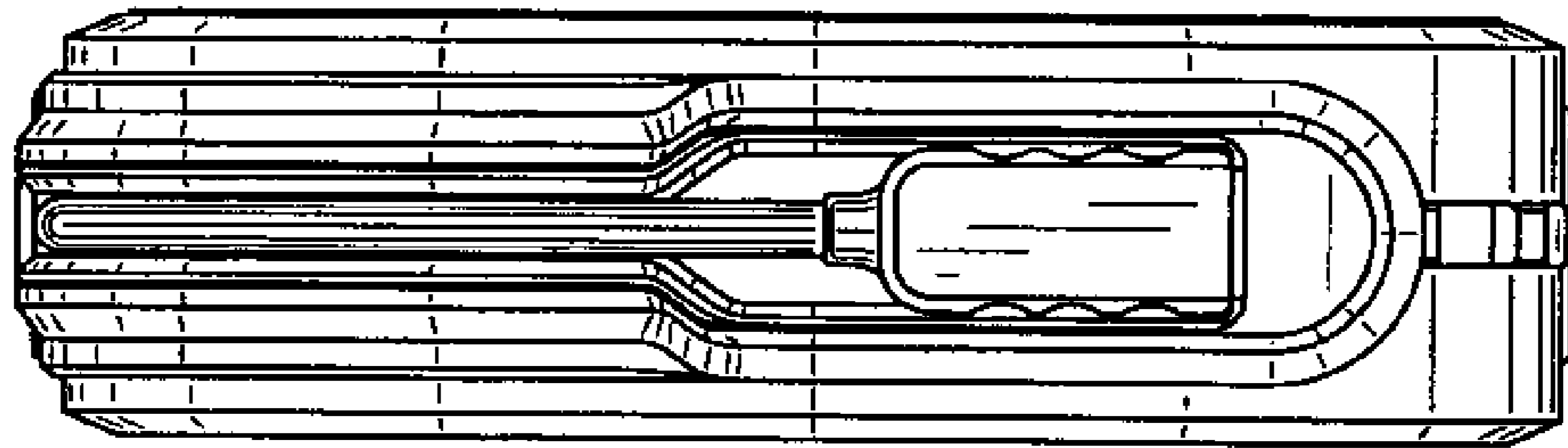


Fig. 5

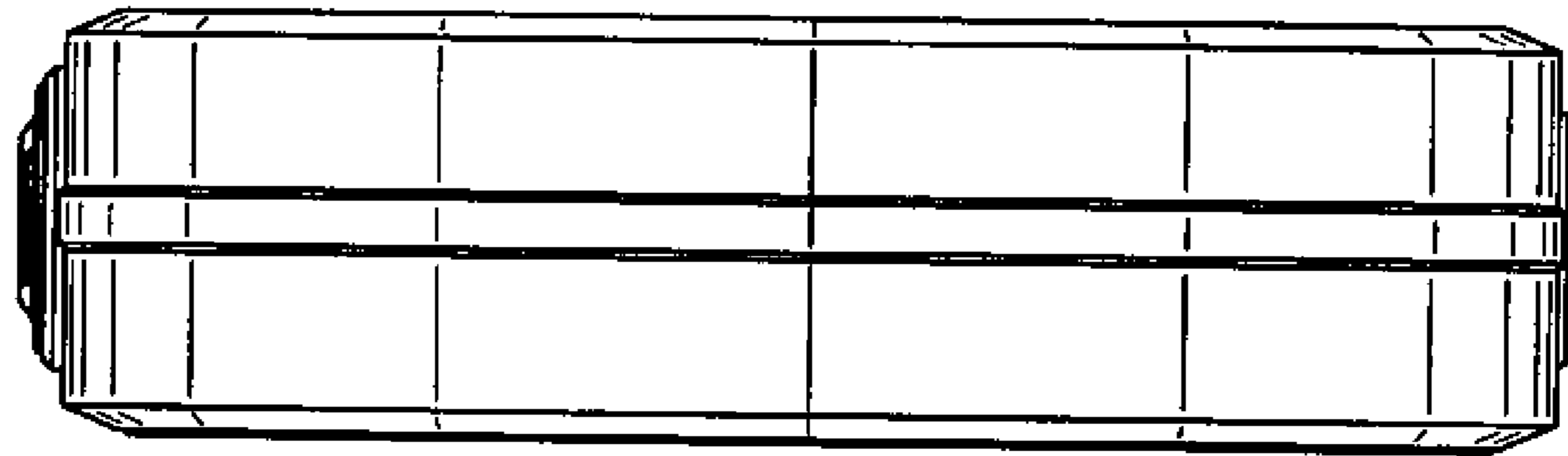


Fig. 6

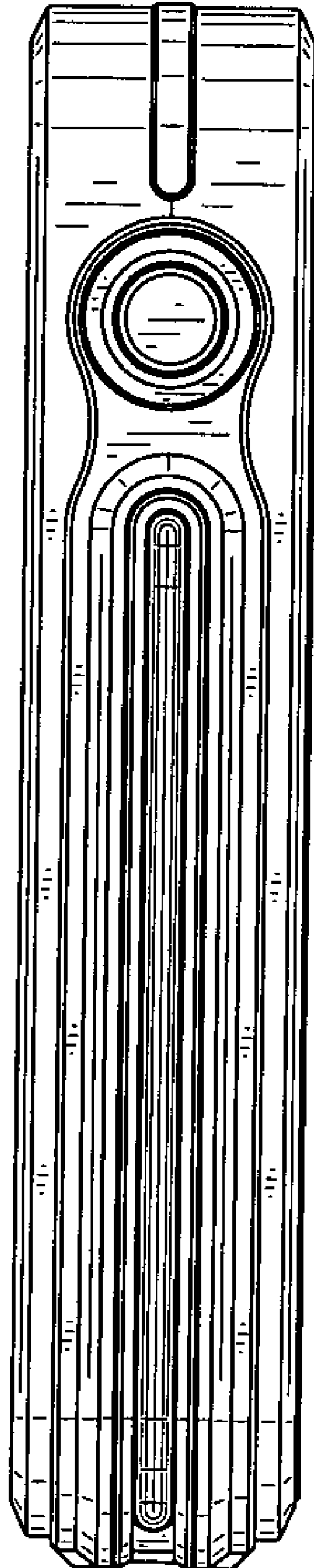


Fig. 7

