



US00D550173S

(12) **United States Design Patent**
Wang et al.

(10) **Patent No.: US D550,173 S**

(45) **Date of Patent: ** Sep. 4, 2007**

(54) **LIQUID CRYSTAL DISPLAY TV**
(75) Inventors: **Beniz Wang**, Taipei (TW); **Yu-Chi Lin**,
Taipei (TW)
(73) Assignee: **Inventec Corporation**, Shih-Lin
District, Taipei (TW)

D447,738 S * 9/2001 Usami et al. D14/136
D471,195 S * 3/2003 Lin D14/375
D482,035 S * 11/2003 Olson et al. D14/375
D483,037 S * 12/2003 Whitehorn et al. D14/375
D484,131 S * 12/2003 Olson et al. D14/375
D505,123 S * 5/2005 Kita D14/126

* cited by examiner

(**) Term: **14 Years**

Primary Examiner—Raphael Barkai

Assistant Examiner—Randall H. Gholson

(21) Appl. No.: **29/223,309**

(74) *Attorney, Agent, or Firm*—Morris Manning & Martin
LLP; Tim Tingkang Xia, Esq.

(22) Filed: **Feb. 11, 2005**

(57) **CLAIM**

(51) **LOC (8) Cl.** **14-03**

(52) **U.S. Cl.** **D14/126**

(58) **Field of Classification Search** D14/125–135,
D14/239, 379, 371, 374, 375, 376, 113; D13/151,
D13/153; 312/7.2; 348/836, 838, 180, 184,
348/325, 739; 341/12; 248/917–924; 345/104,
345/133, 156, 168, 87, 173; 349/1, 2, 11,
349/62

I claim the ornamental design for a liquid crystal display TV,
as shown and described.

See application file for complete search history.

DESCRIPTION

(56) **References Cited**

U.S. PATENT DOCUMENTS

D278,149 S * 3/1985 Naito D14/375
D323,324 S * 1/1992 Suda D14/125
D344,933 S * 3/1994 Wiseman et al. D14/375
D351,835 S * 10/1994 Kawamoto et al. D14/129
D356,077 S * 3/1995 Harada et al. D14/126
D356,081 S * 3/1995 Naito et al. D14/129

FIG. 1 is a perspective view of a liquid crystal display TV
showing my new design:

FIG. 2 is a front view thereof;

FIG. 3 is a rear view thereof;

FIG. 4 is a left side view thereof;

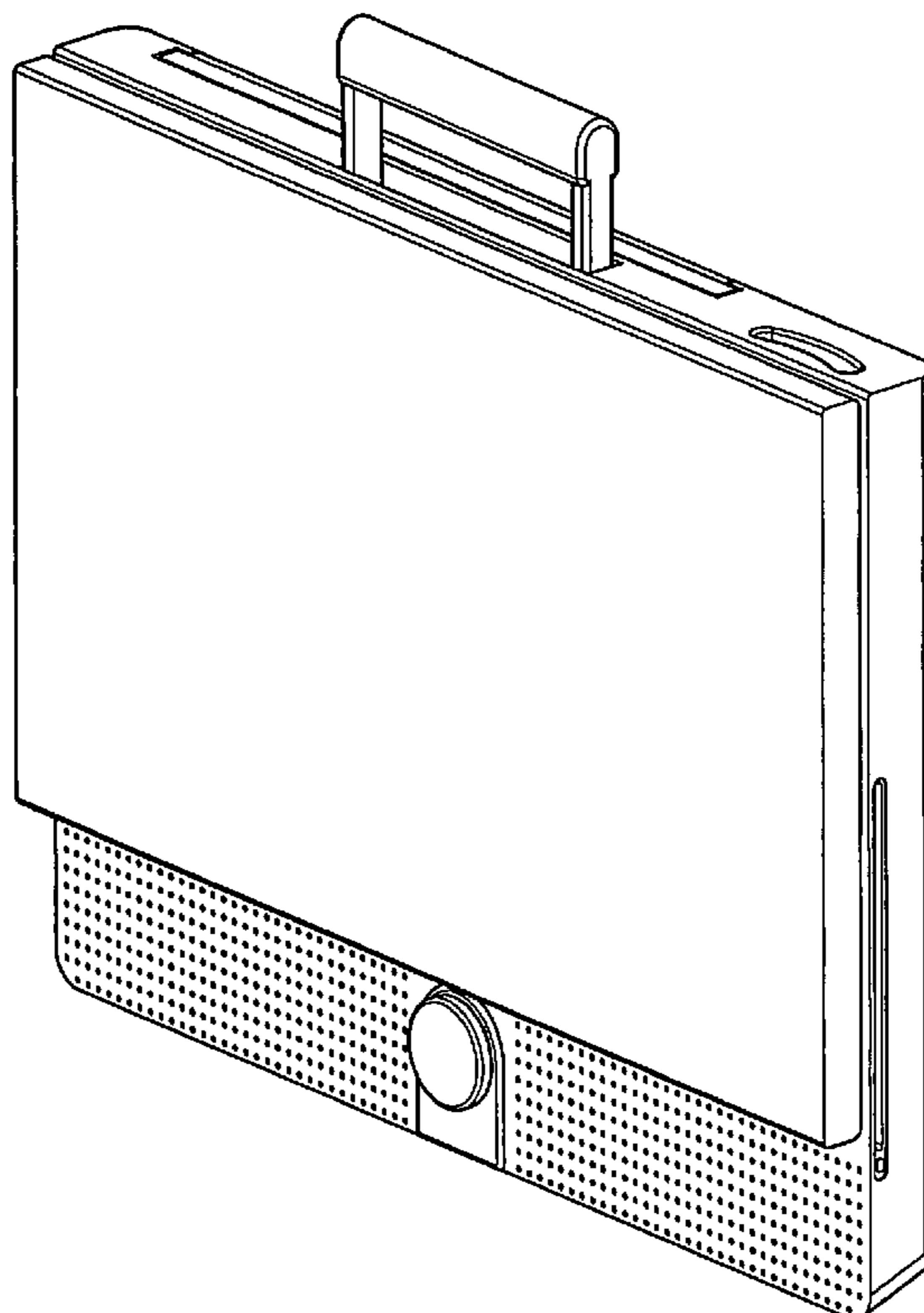
FIG. 5 is a right side view thereof;

FIG. 6 is a top view thereof;

FIG. 7 is a bottom view thereof; and,

FIG. 8 is a view in use.

1 Claim, 6 Drawing Sheets



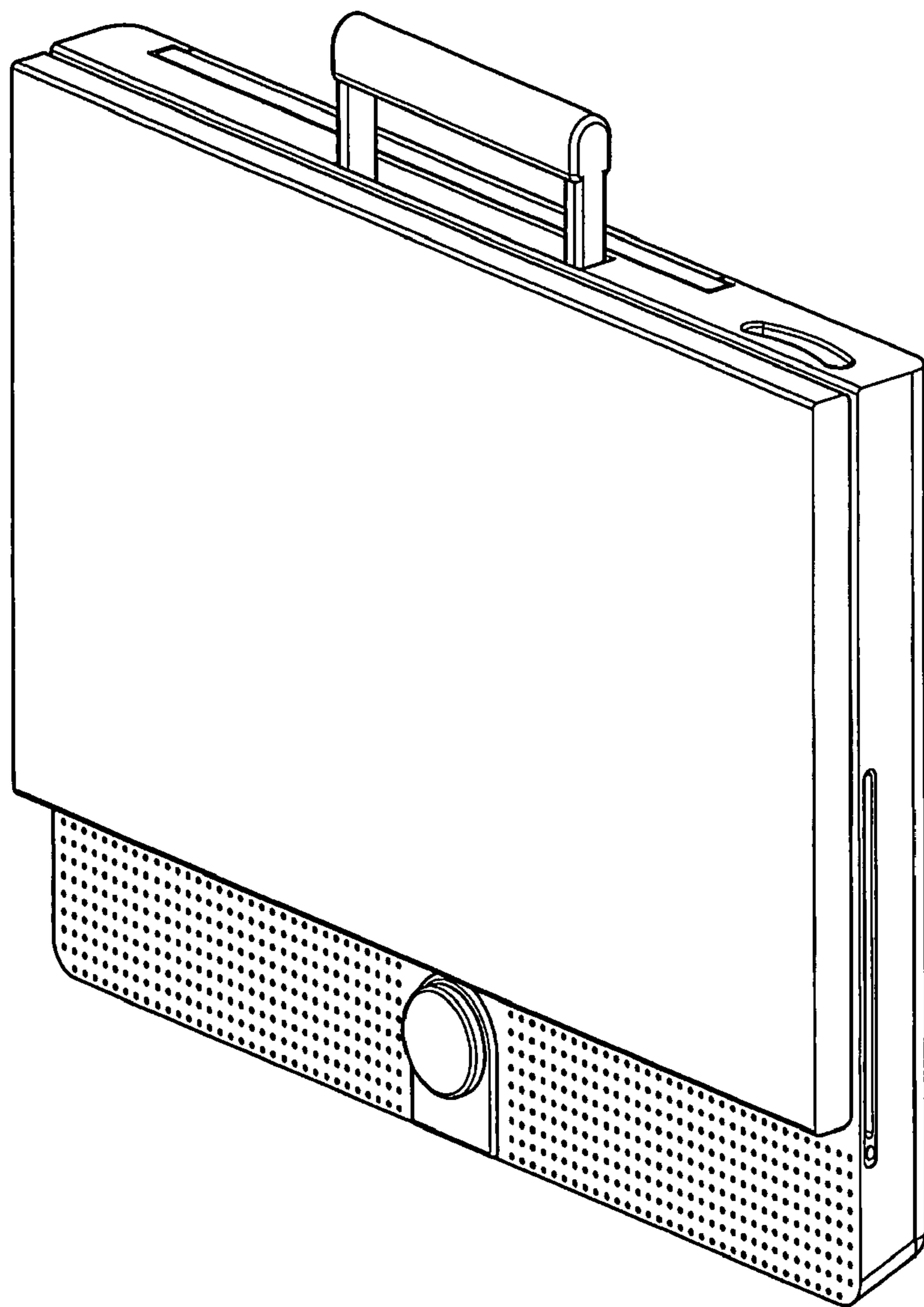


FIG.1

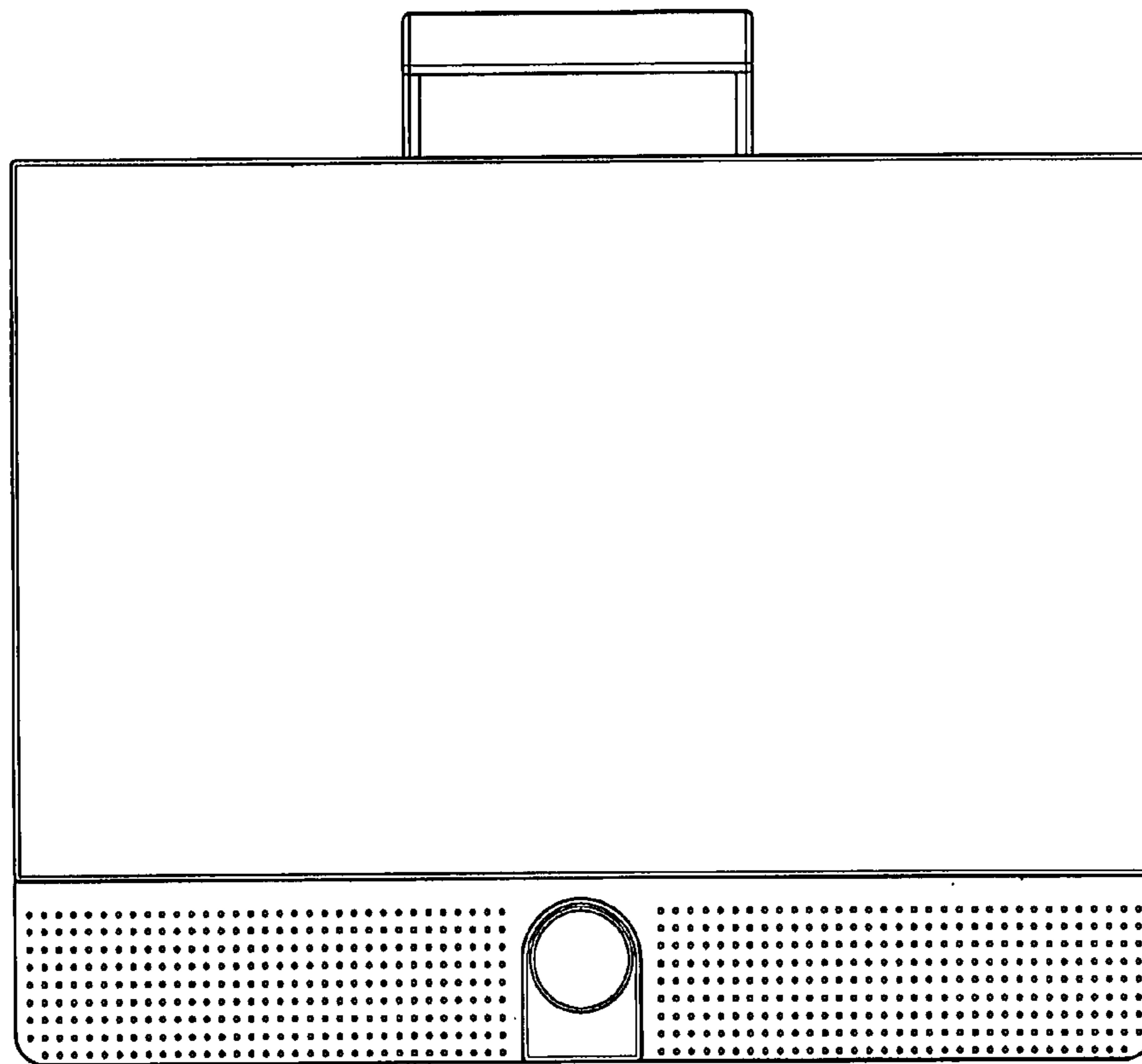


FIG.2

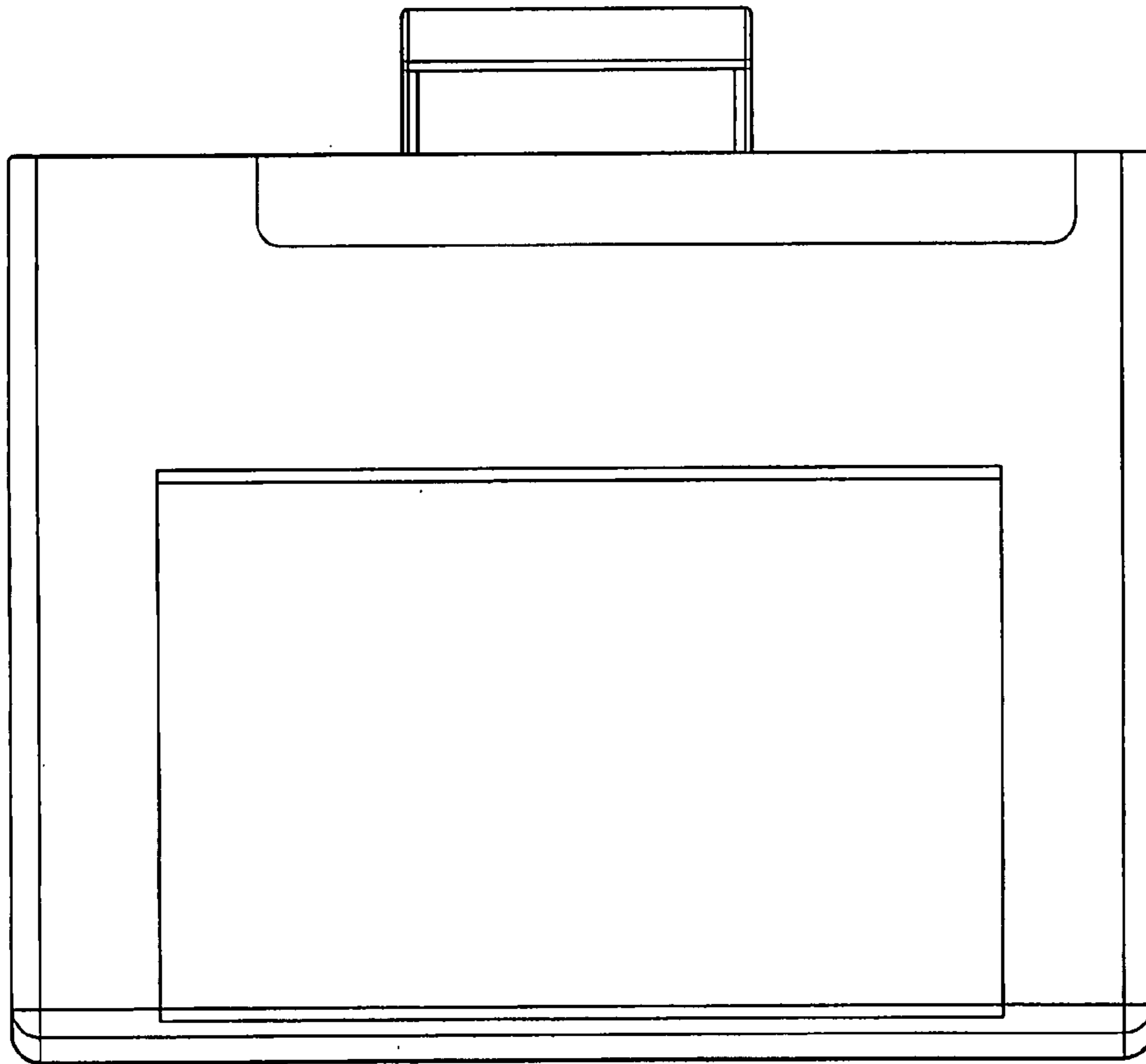


FIG.3

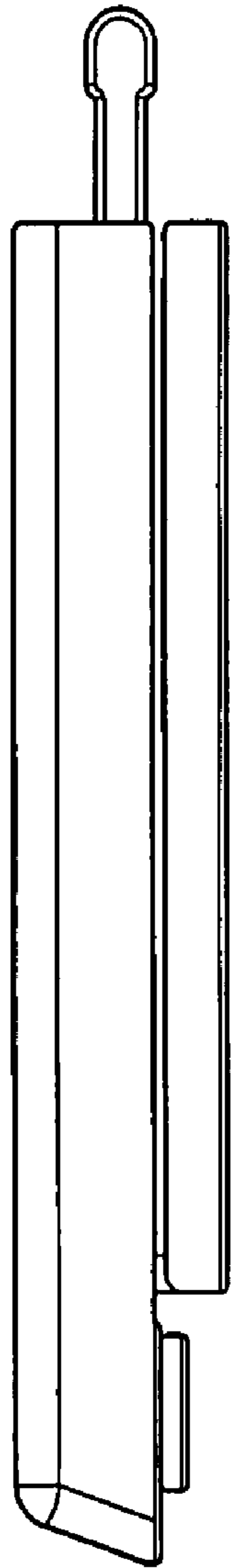


FIG. 4

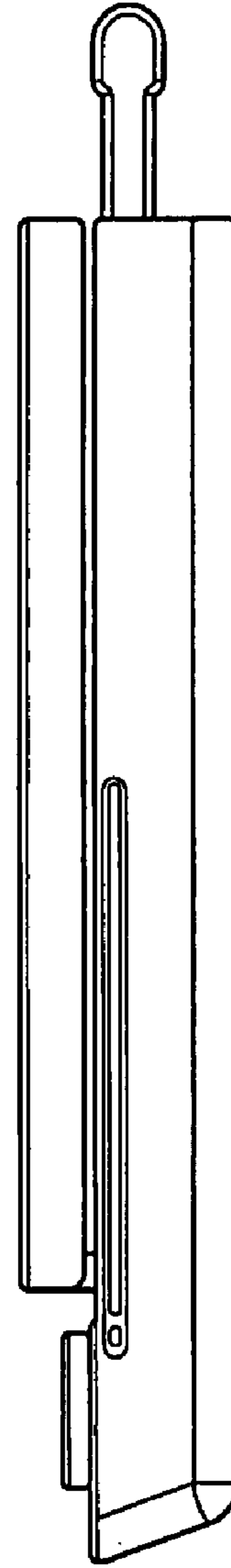


FIG. 5

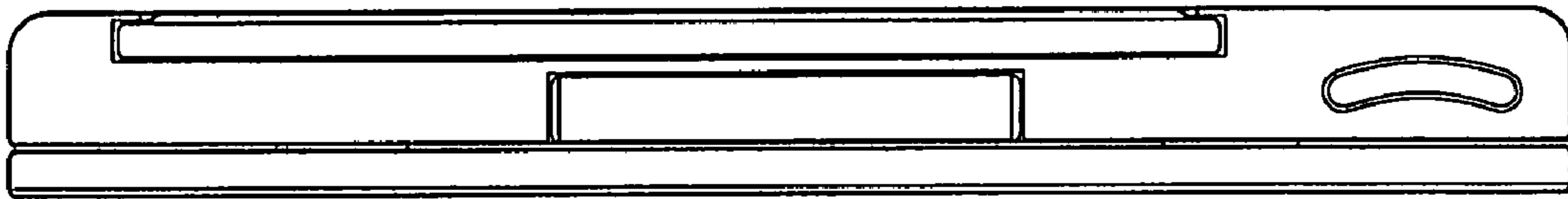


FIG.6

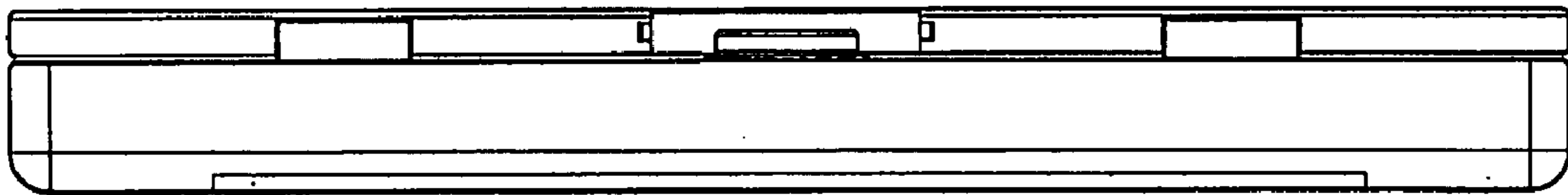


FIG.7

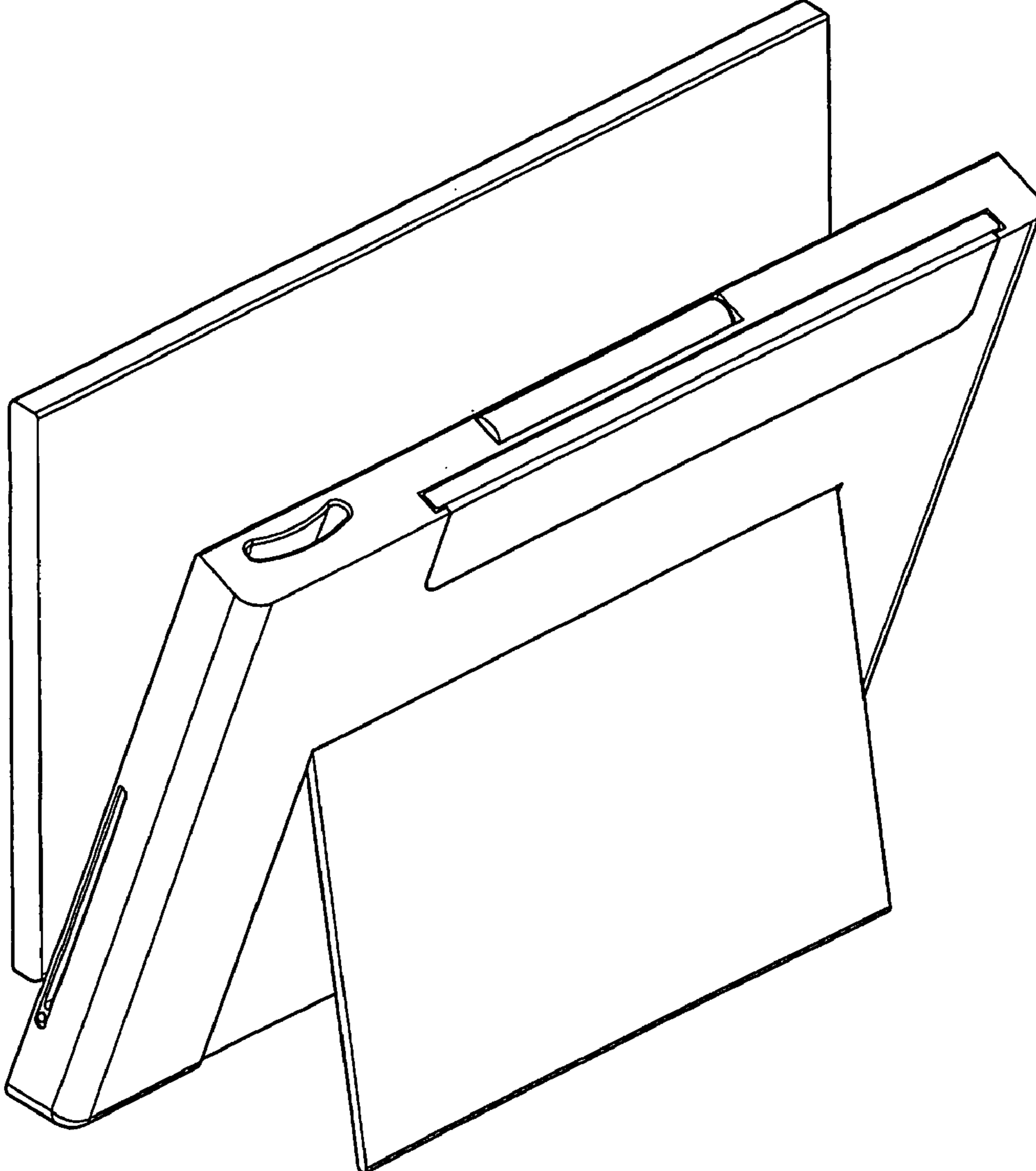


FIG.8