



US00D550162S

(12) **United States Design Patent**
Lai et al.

(10) **Patent No.: US D550,162 S**

(45) **Date of Patent: ** Sep. 4, 2007**

(54) **RECEPTACLE CONNECTOR**

(75) Inventors: **Ming Chun Lai**, Tu-Cheng (TW); **Yu Li**, Tu-Cheng (TW); **Teng Fang Xiong**, Tu-Cheng (TW)

(73) Assignee: **Cheng Uei Precision Industry Co., Ltd.**, Taipei Hsien (TW)

(**) Term: **14 Years**

(21) Appl. No.: **29/270,208**

(22) Filed: **Dec. 19, 2006**

(51) **LOC (8) Cl. 13-03**

(52) **U.S. Cl. D13/147**

(58) **Field of Classification Search** D13/133,
D13/146-147, 154, 184, 199; 439/79, 83,
439/108, 353, 358, 594, 597, 600, 680, 607-610,
439/639, 677

See application file for complete search history.

(56) **References Cited**

U.S. PATENT DOCUMENTS

D478,320 S * 8/2003 Suzuki et al. D13/147
D482,331 S * 11/2003 Suzuki et al. D13/147
D509,190 S * 9/2005 Tsai D13/147

7,029,331 B1 * 4/2006 Lai 439/609
D524,746 S * 7/2006 Lai D13/147
7,114,981 B1 * 10/2006 Huang et al. 439/353

* cited by examiner

Primary Examiner—Daniel Bui

(74) *Attorney, Agent, or Firm*—Rosenberg, Klein & Lee

(57) **CLAIM**

The ornamental design for a receptacle connector, as shown and described.

DESCRIPTION

FIG. 1 is a perspective view of a receptacle connector showing our new design;

FIG. 2 is a front elevational view thereof;

FIG. 3 is a rear elevational view thereof;

FIG. 4 is a left side elevational view thereof;

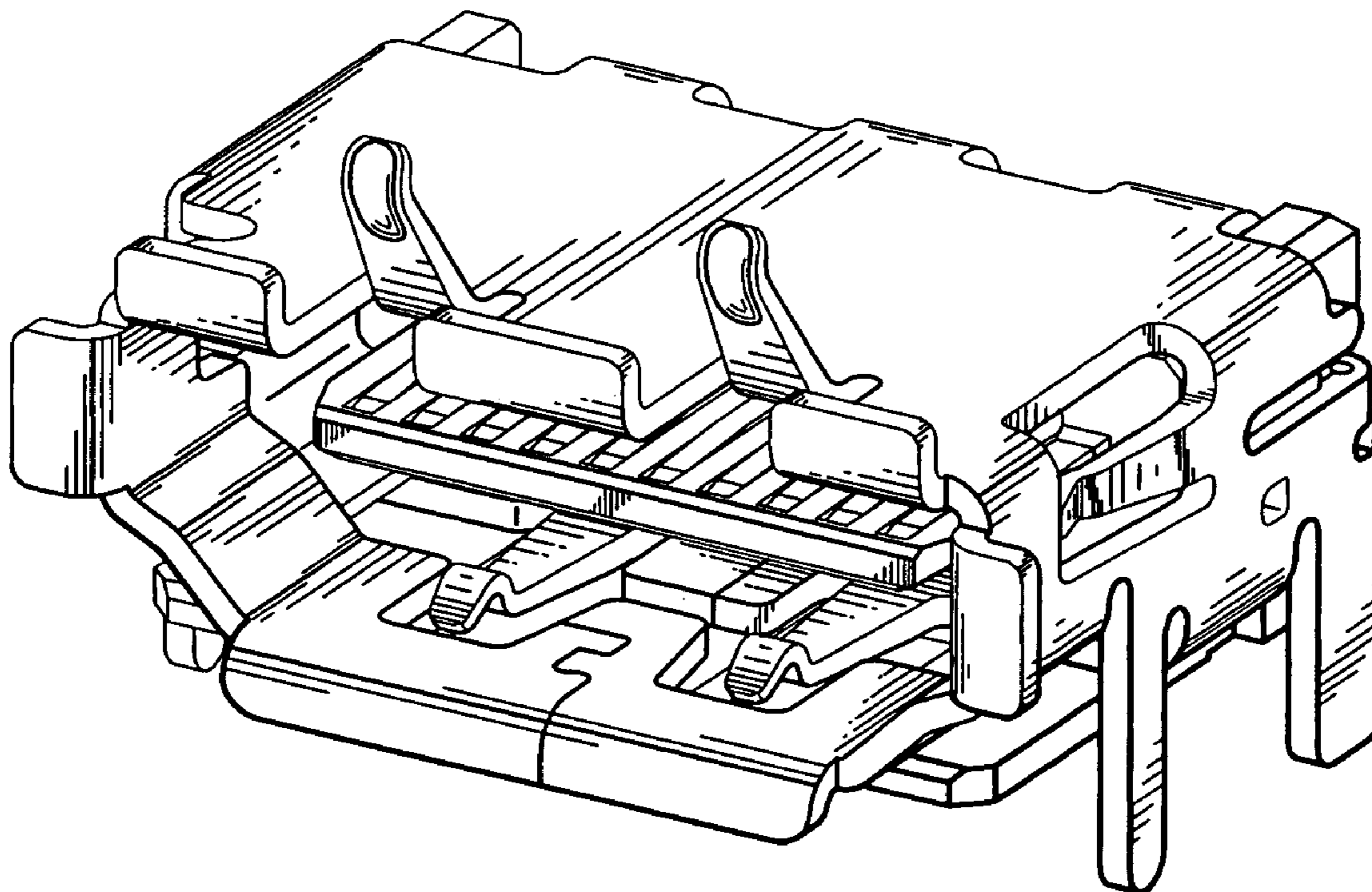
FIG. 5 is a right side elevational view thereof;

FIG. 6 is a top plan view thereof; and,

FIG. 7 is a bottom plan view thereof.

The broken line showing of the environment is for illustrative purposes only and forms no part of the claimed design.

1 Claim, 7 Drawing Sheets



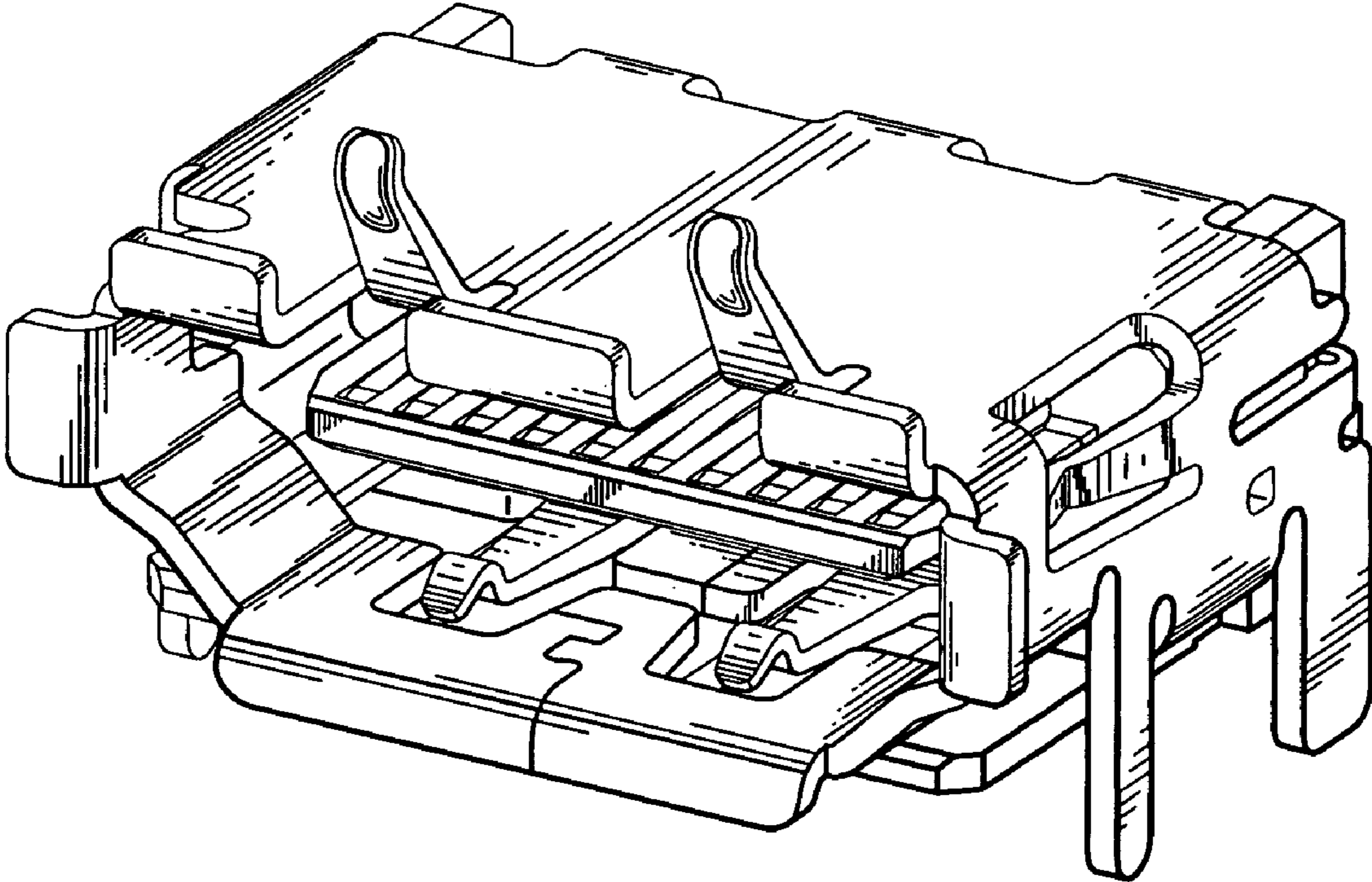


FIG. 1

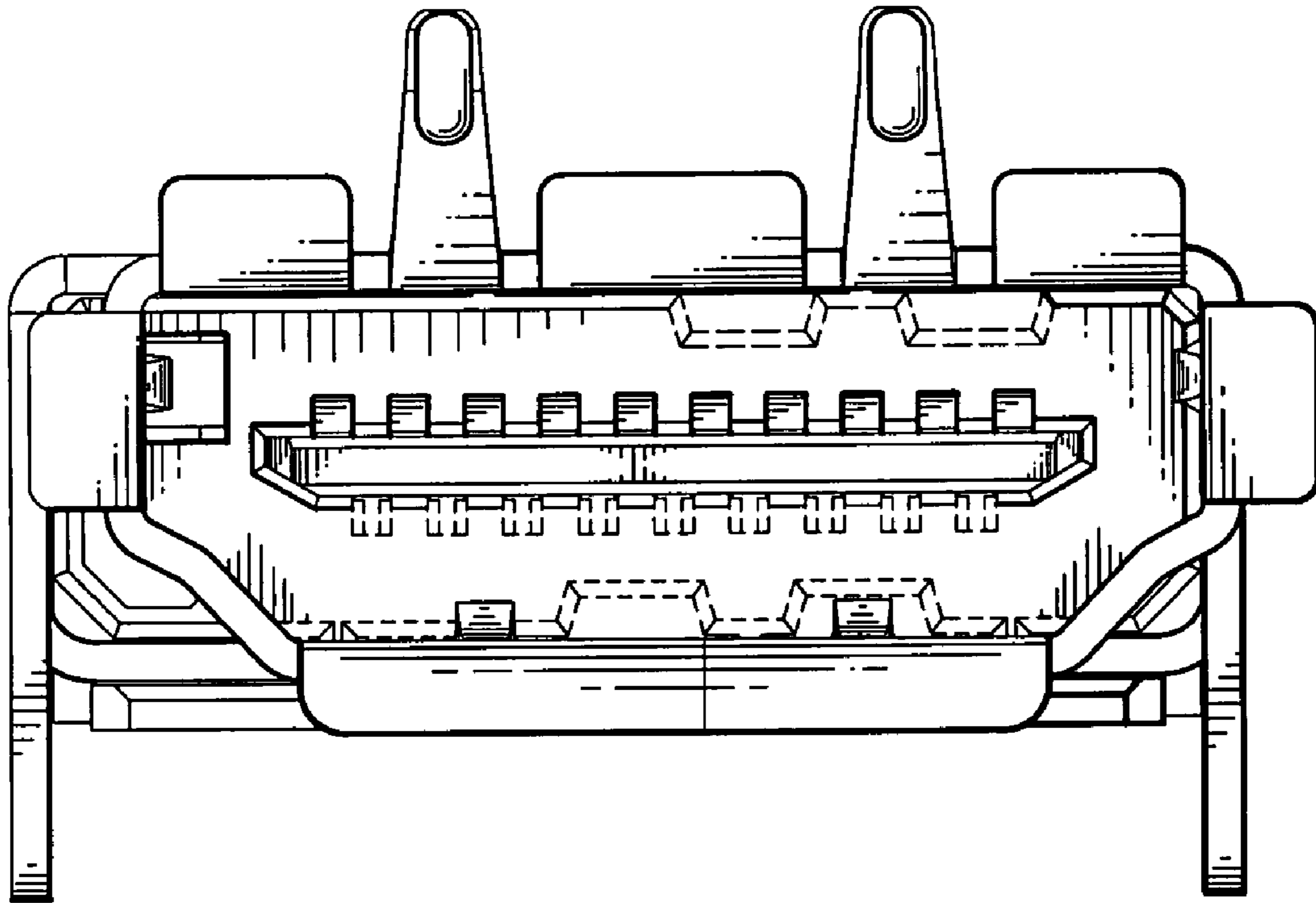


FIG. 2

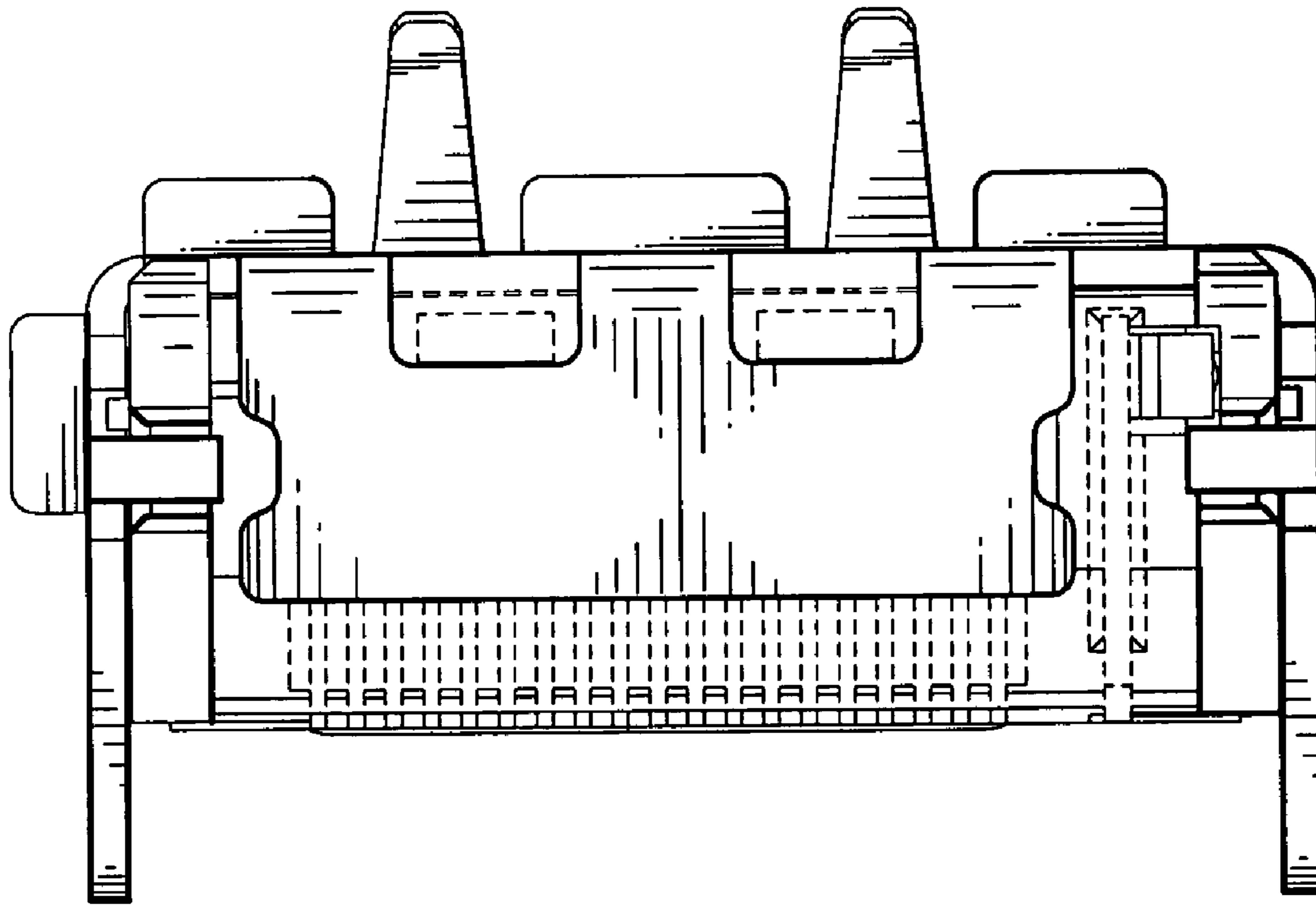


FIG. 3

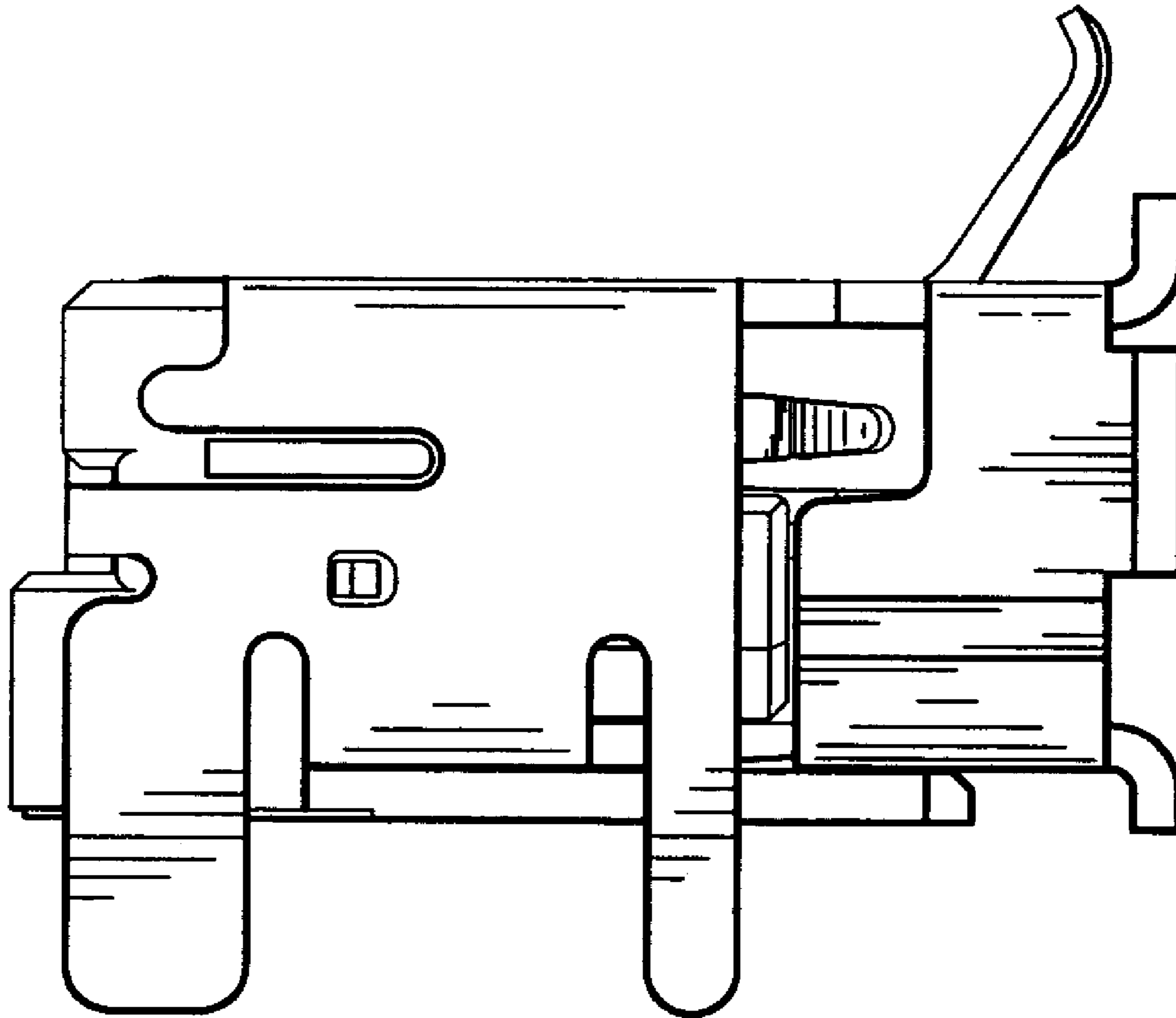


FIG. 4

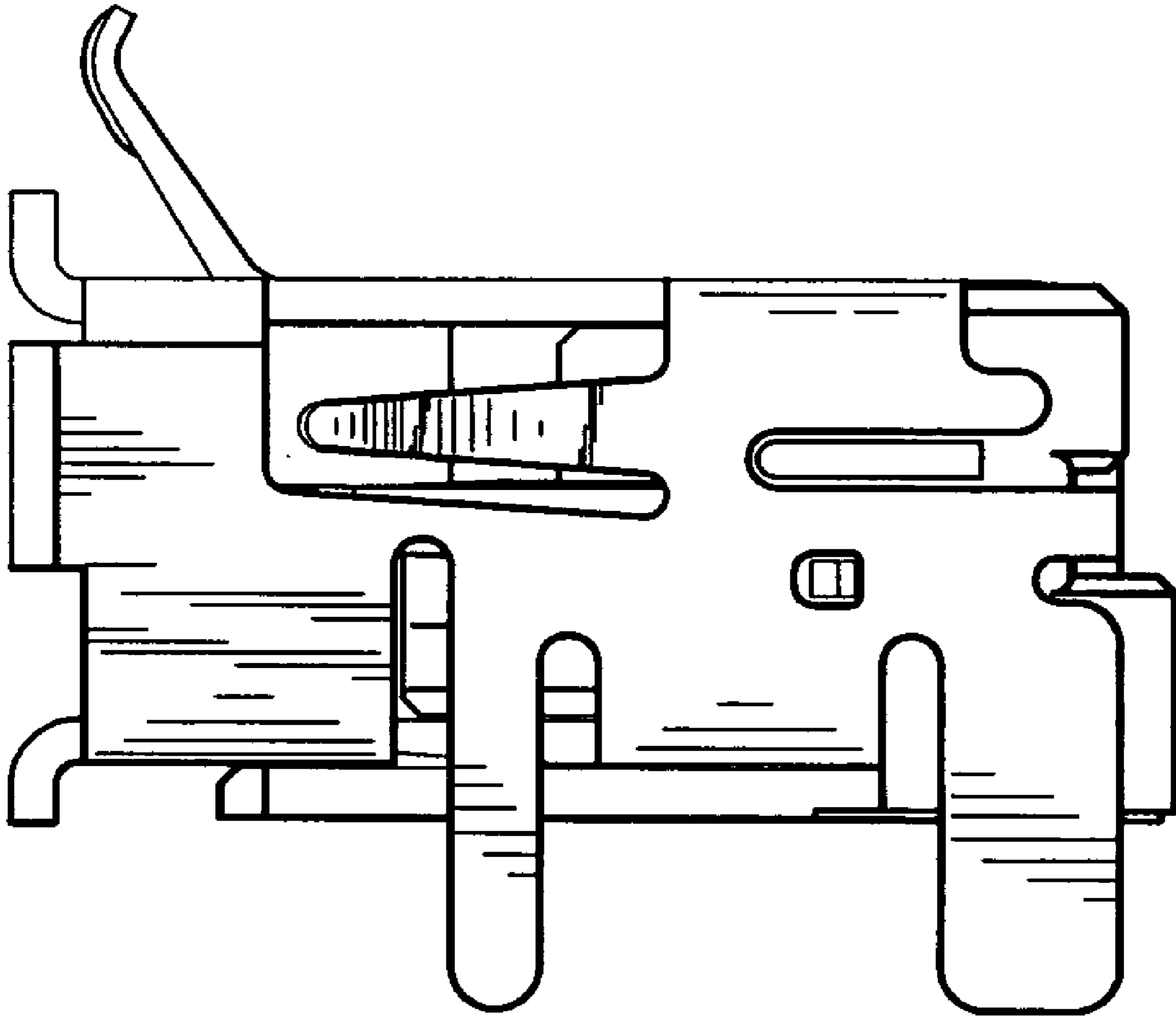


FIG. 5

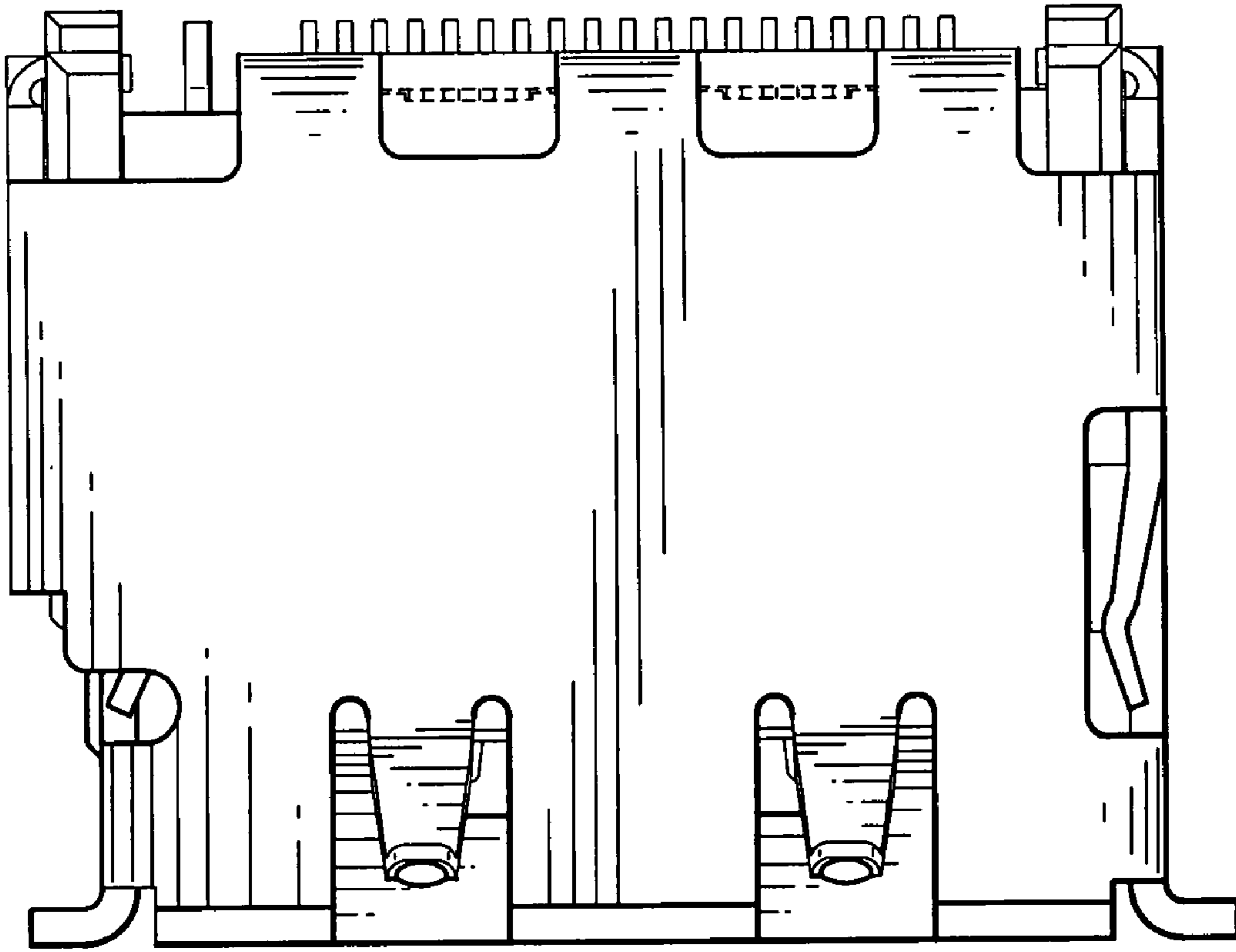


FIG. 6

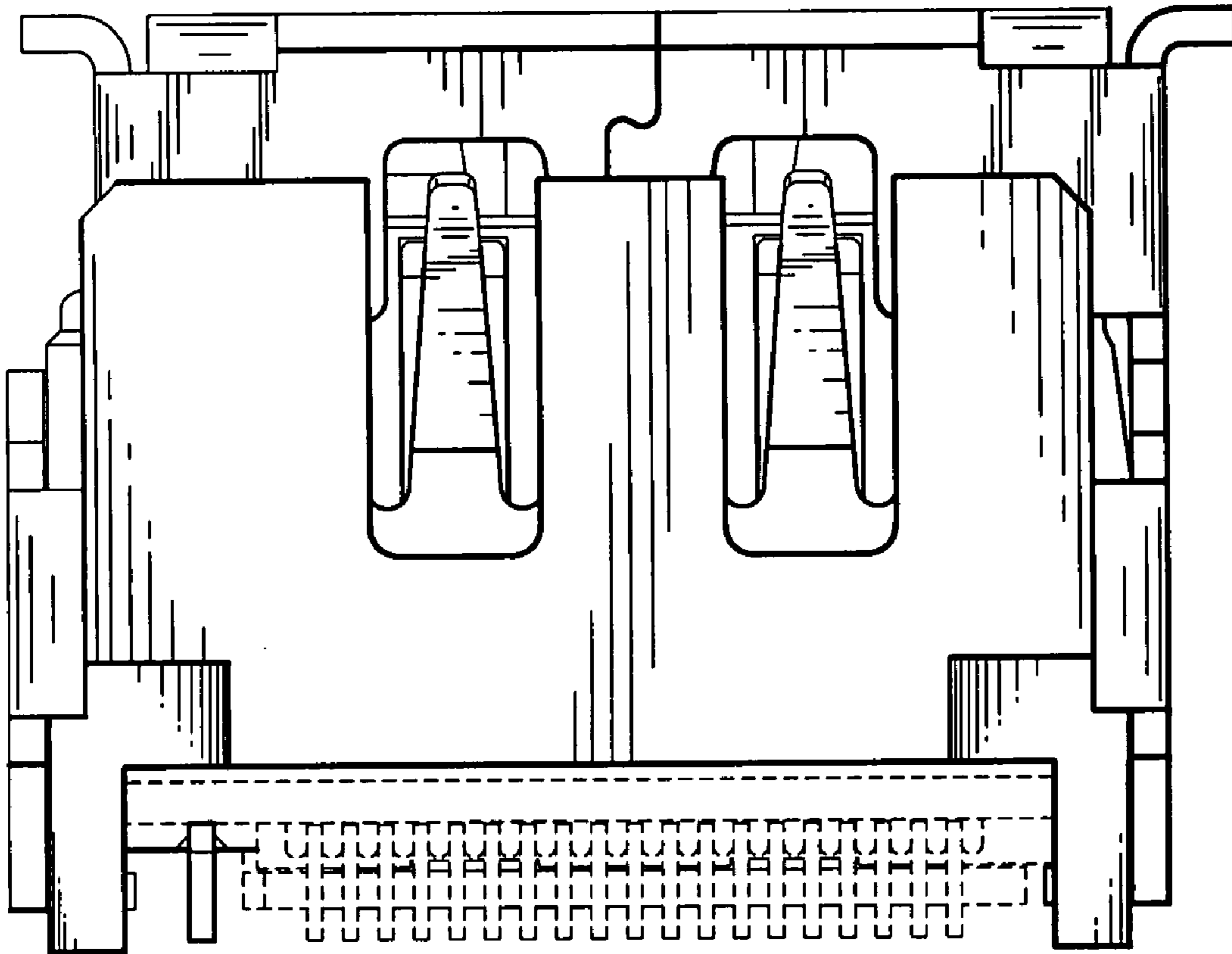


FIG. 7