



US00D550161S

(12) **United States Design Patent** (10) **Patent No.:** **US D550,161 S**
Lai et al. (45) **Date of Patent:** **** Sep. 4, 2007**

(54) **ELECTRICAL CONNECTOR** 2004/0147146 A1* 7/2004 Vermeersch et al. 439/108

(75) Inventors: **Ming Chung Lai**, Tu-Cheng (TW);
Mao Jung Huang, Tu-Cheng (TW); **Yu Li**, Guang-Dong (CN) * cited by examiner
Primary Examiner—Daniel Bui
(74) *Attorney, Agent, or Firm*—Rosenberg, Klein & Lee

(73) Assignee: **Cheng Uei Precision Industry Co., Ltd.**, Taipei Hsien (TW)

(57) **CLAIM**

(**) Term: **14 Years**

The ornamental design for an electrical connector, as shown and described.

(21) Appl. No.: **29/264,313**

DESCRIPTION

(22) Filed: **Aug. 9, 2006**

(51) **LOC (8) Cl.** **13-03**

(52) **U.S. Cl.** **D13/147**

(58) **Field of Classification Search** D13/133,
D13/146–147, 154, 184, 199; 439/79, 83,
439/108, 594, 597, 600, 606–610, 639, 677,
439/680

See application file for complete search history.

FIG. 1 is a perspective view of an electrical connector showing our new Design, the areas shown in broken lines are being depicted for illustrative purposes and form no part of the claimed Design;

FIG. 2 is a front elevational view thereof, the area shown in broken lines are being depicted for illustrative purposes and form no part of the claimed Design;

FIG. 3 is a rear elevational view thereof;

FIG. 4 is a left side elevational view thereof;

FIG. 5 is a right side elevational view thereof;

FIG. 6 is a top plan view thereof; and,

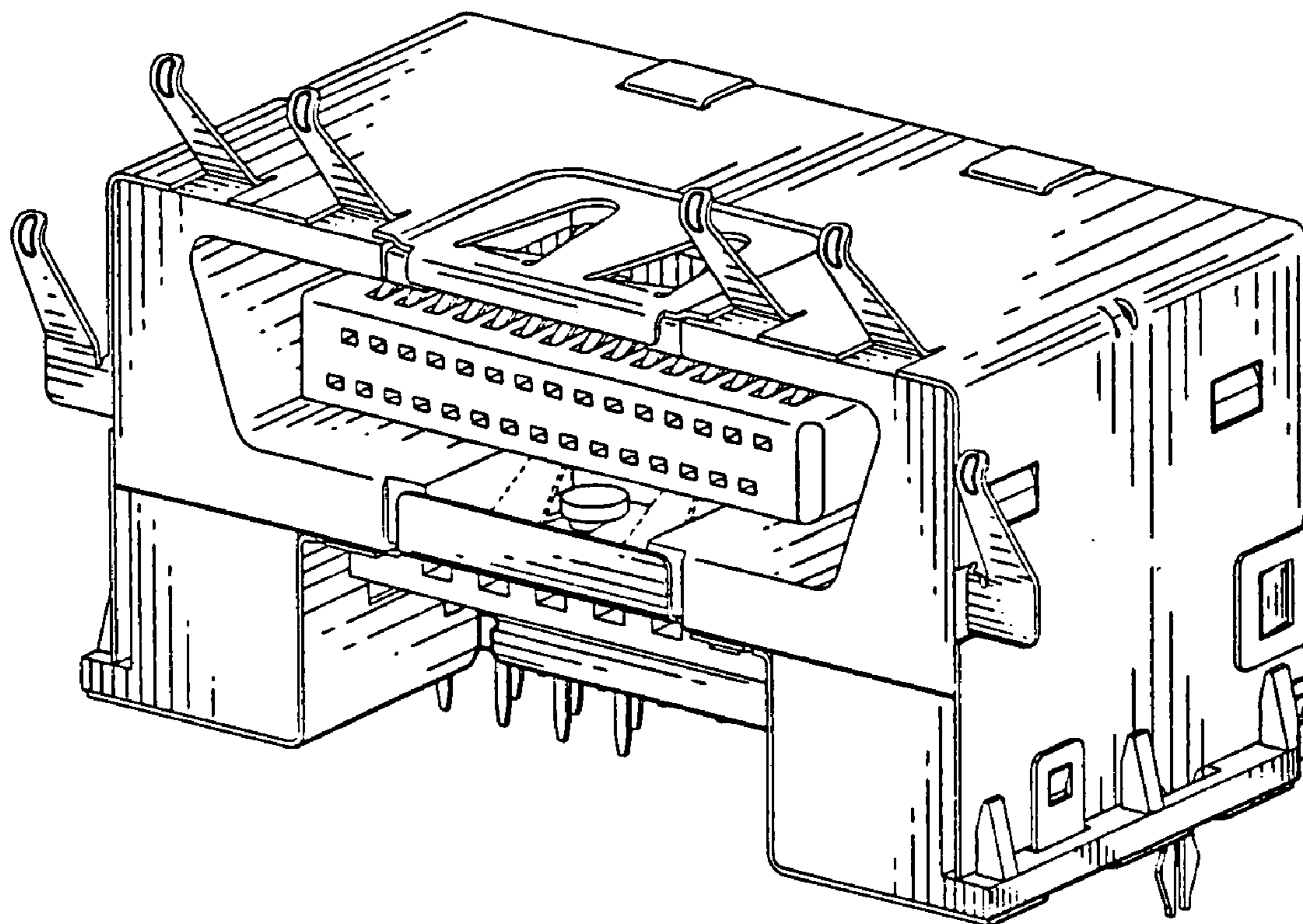
FIG. 7 is a bottom plan view thereof, the areas shown in broken lines are being depicted for illustrative purposes and form no part of the claimed Design.

(56) **References Cited**

U.S. PATENT DOCUMENTS

D422,562 S *	4/2000	Huang	D13/147
6,183,300 B1 *	2/2001	Belopolsky et al.	439/607
D506,727 S *	6/2005	Taguchi	D13/133
7,029,331 B1 *	4/2006	Lai	439/609
D524,746 S *	7/2006	Lai	D13/147
D527,707 S *	9/2006	Lai	D13/147

1 Claim, 7 Drawing Sheets



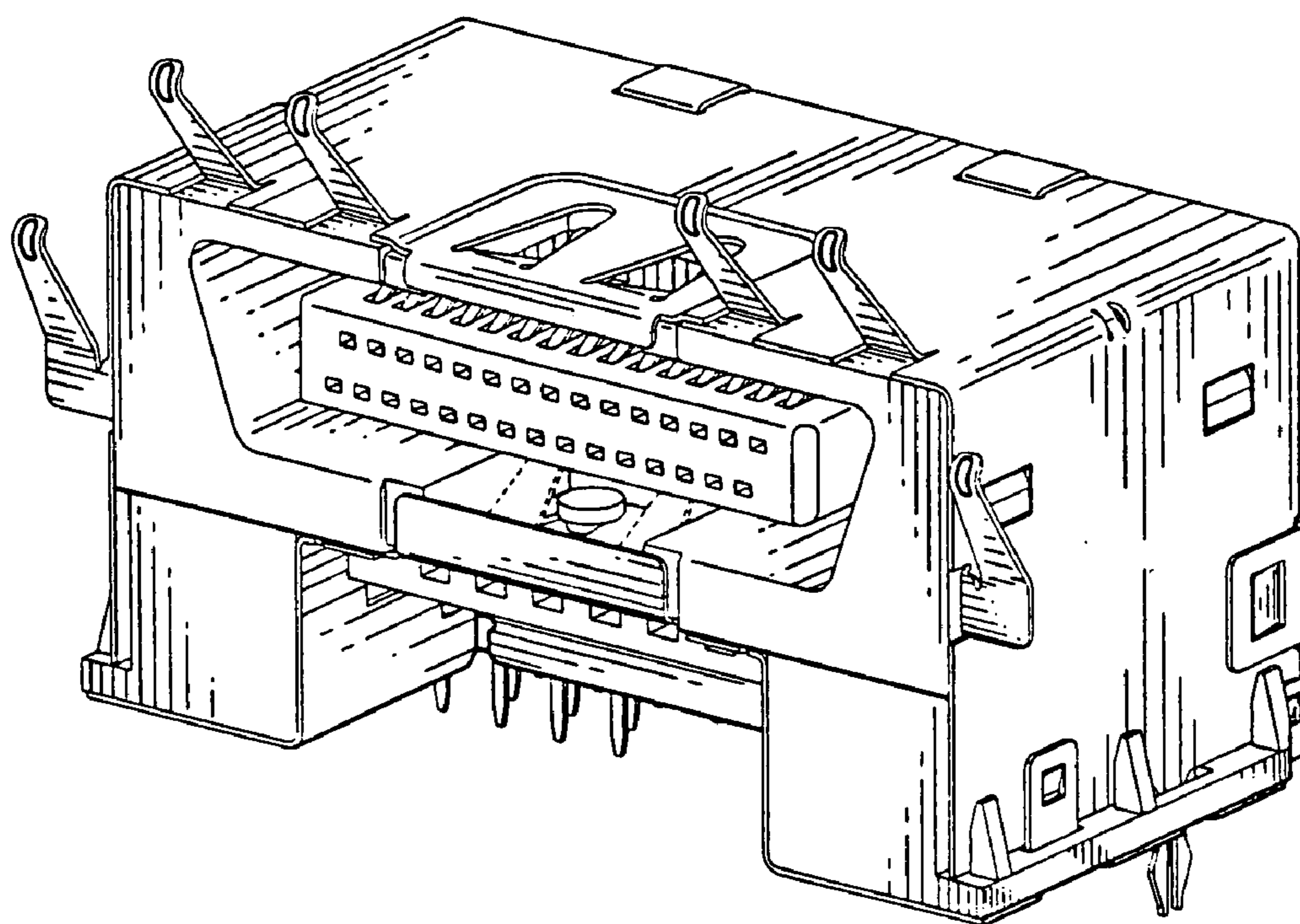


FIG. 1

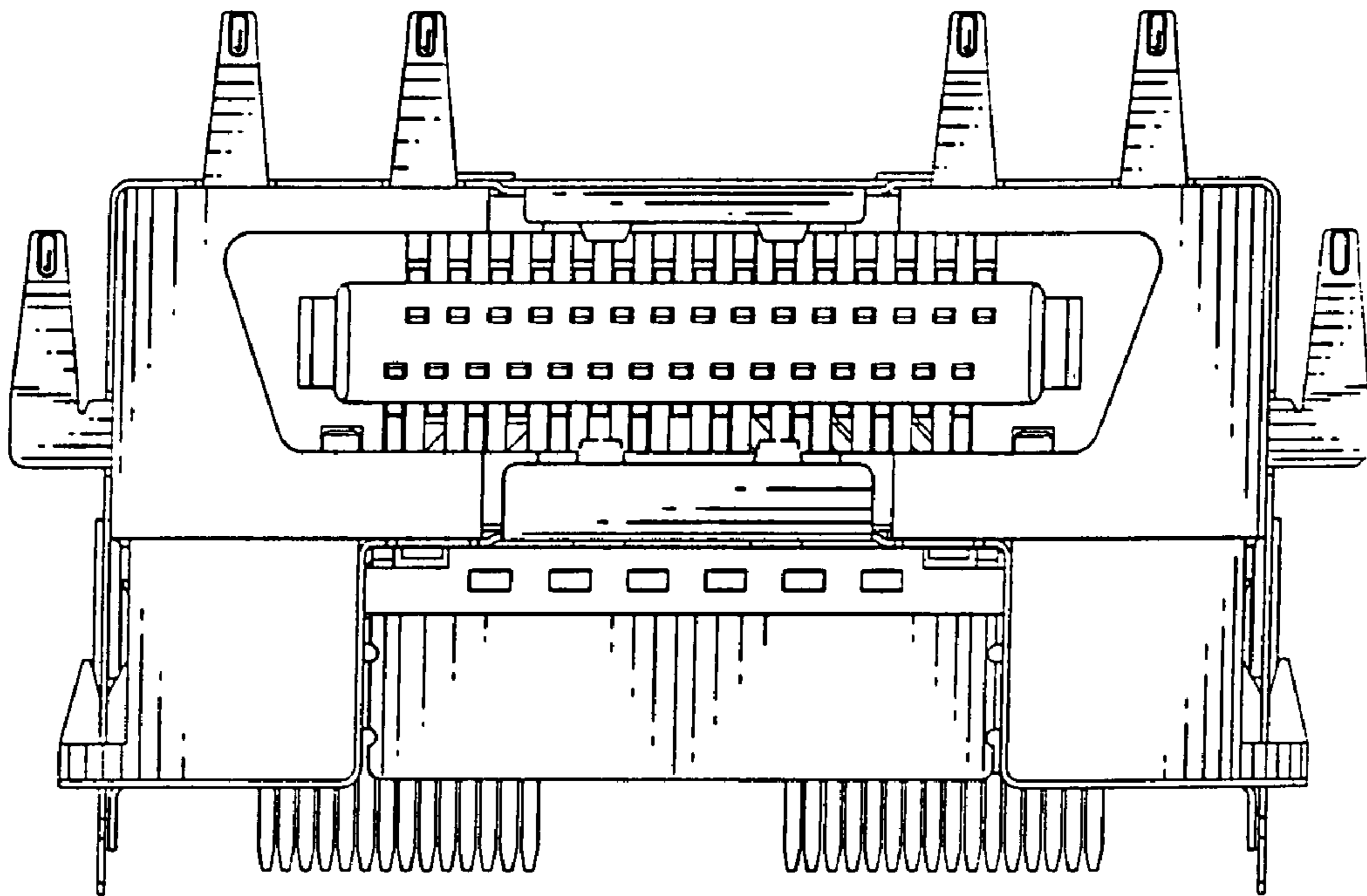


FIG. 2

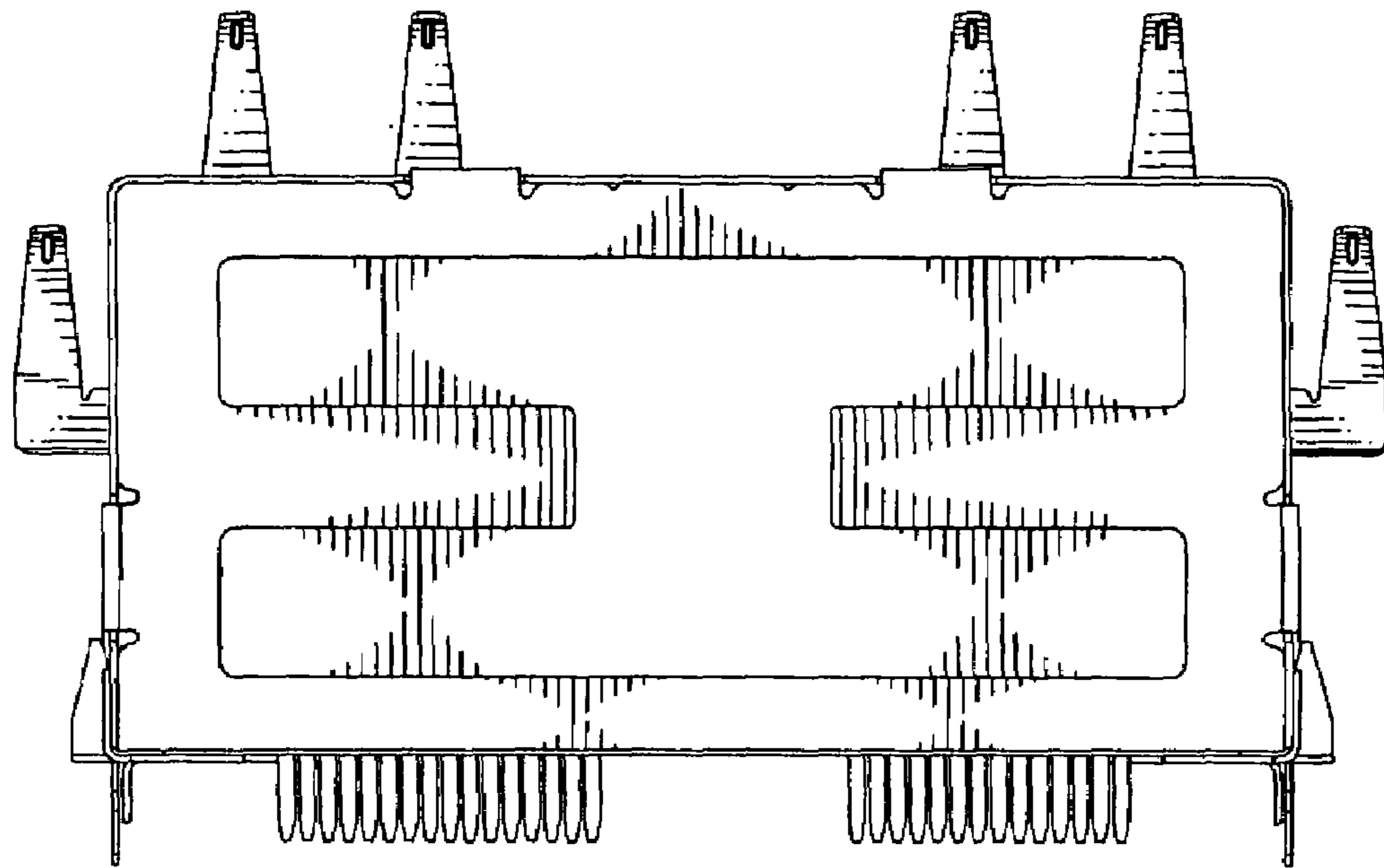


FIG. 3

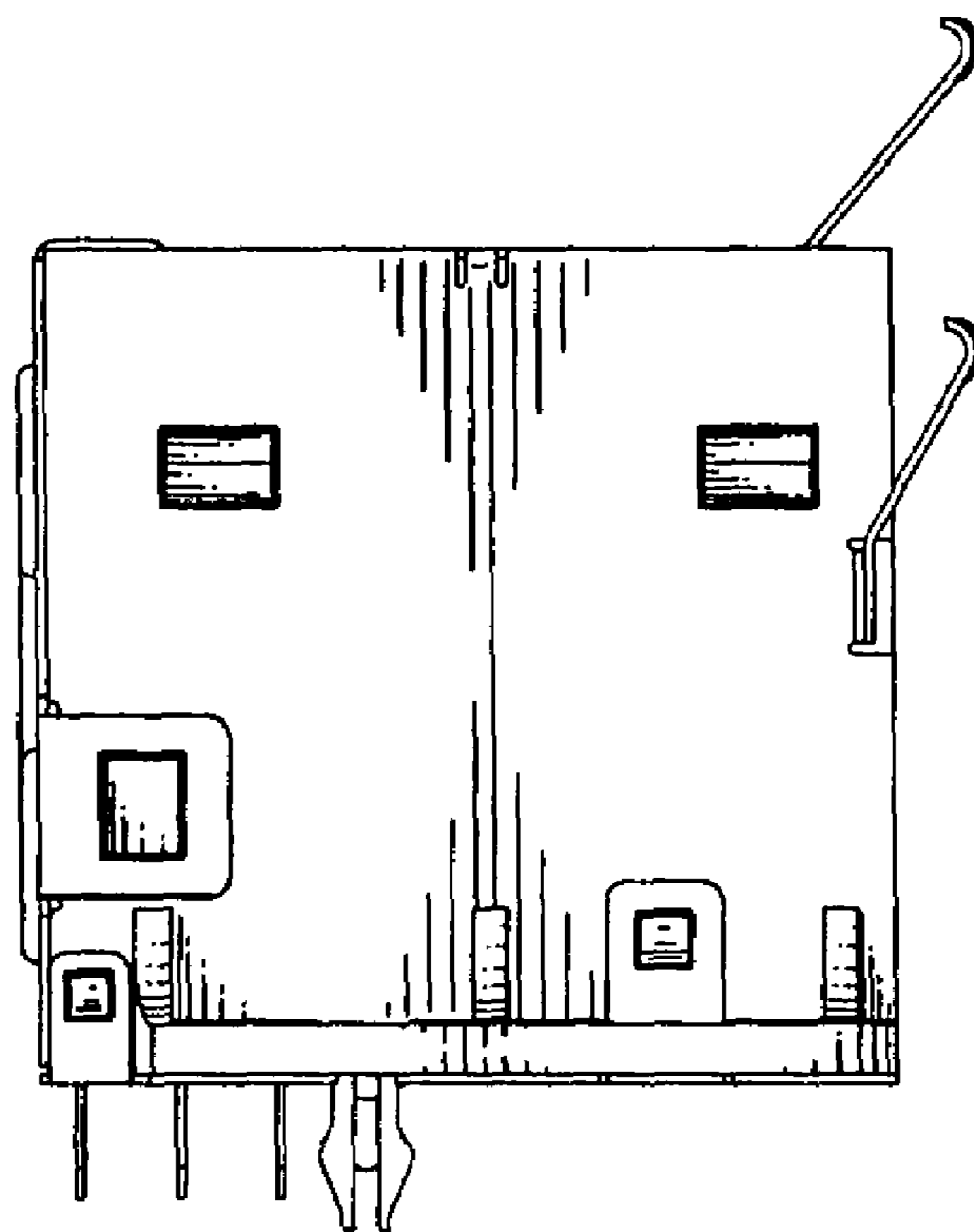


FIG. 4

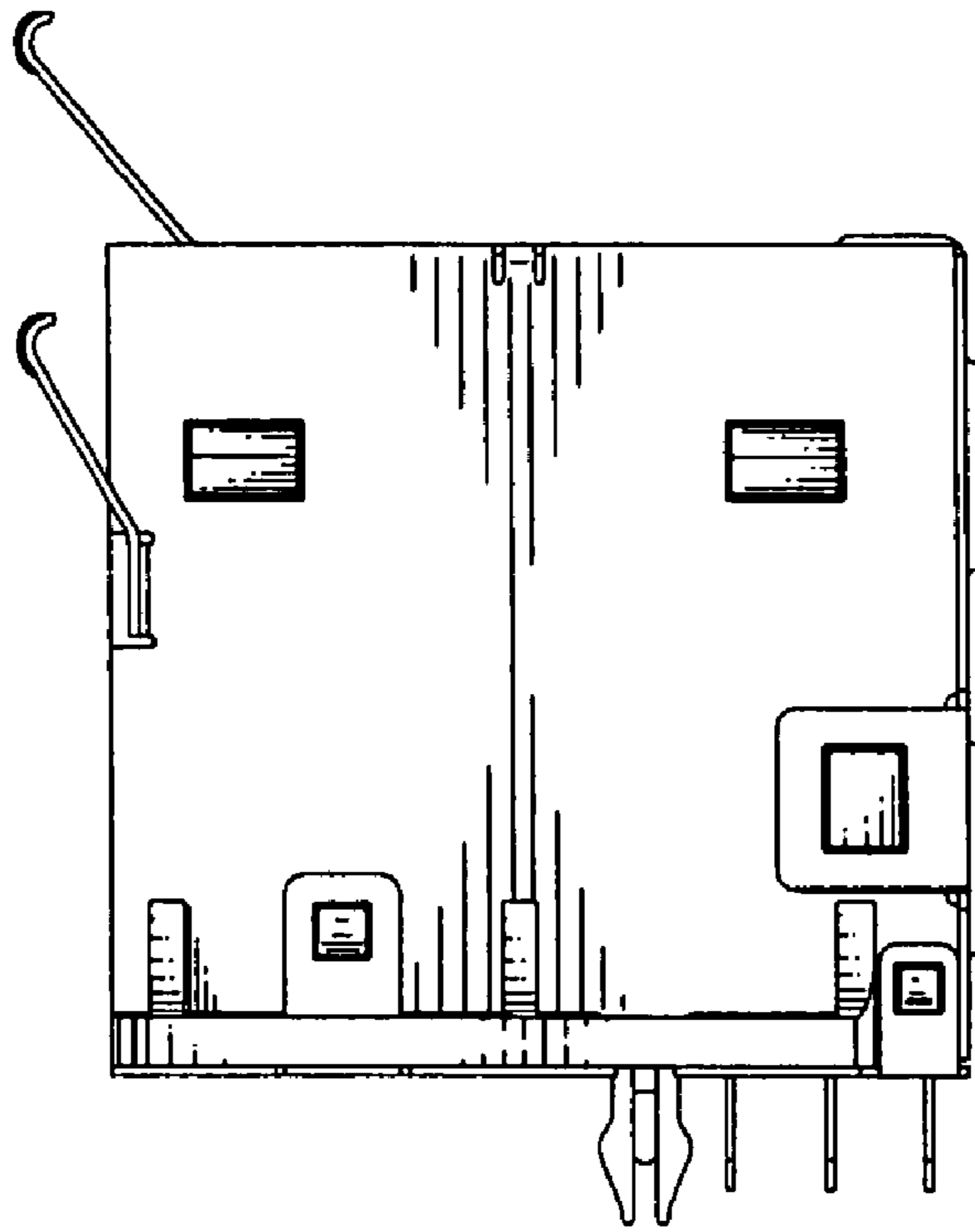


FIG. 5

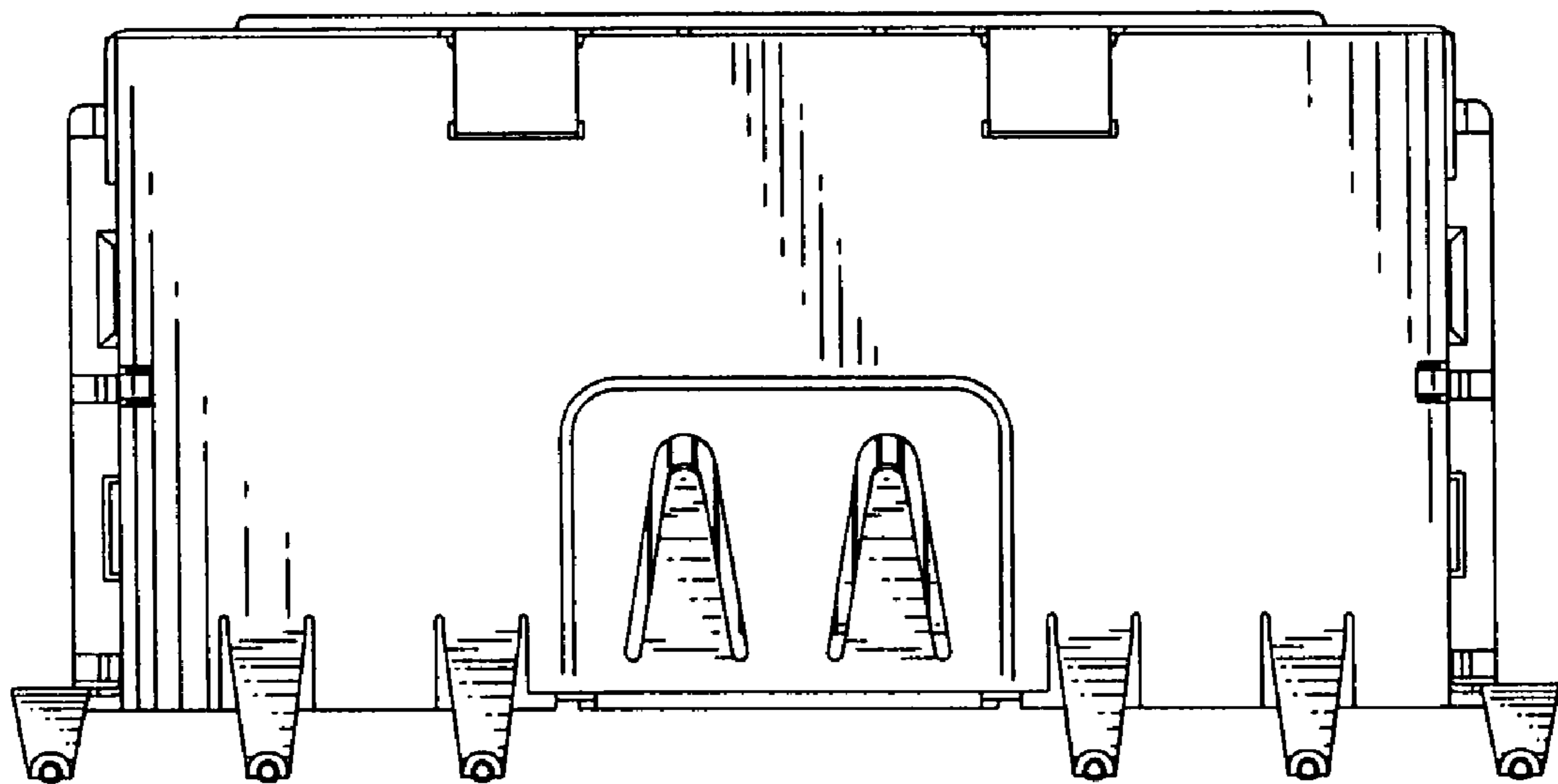


FIG. 6

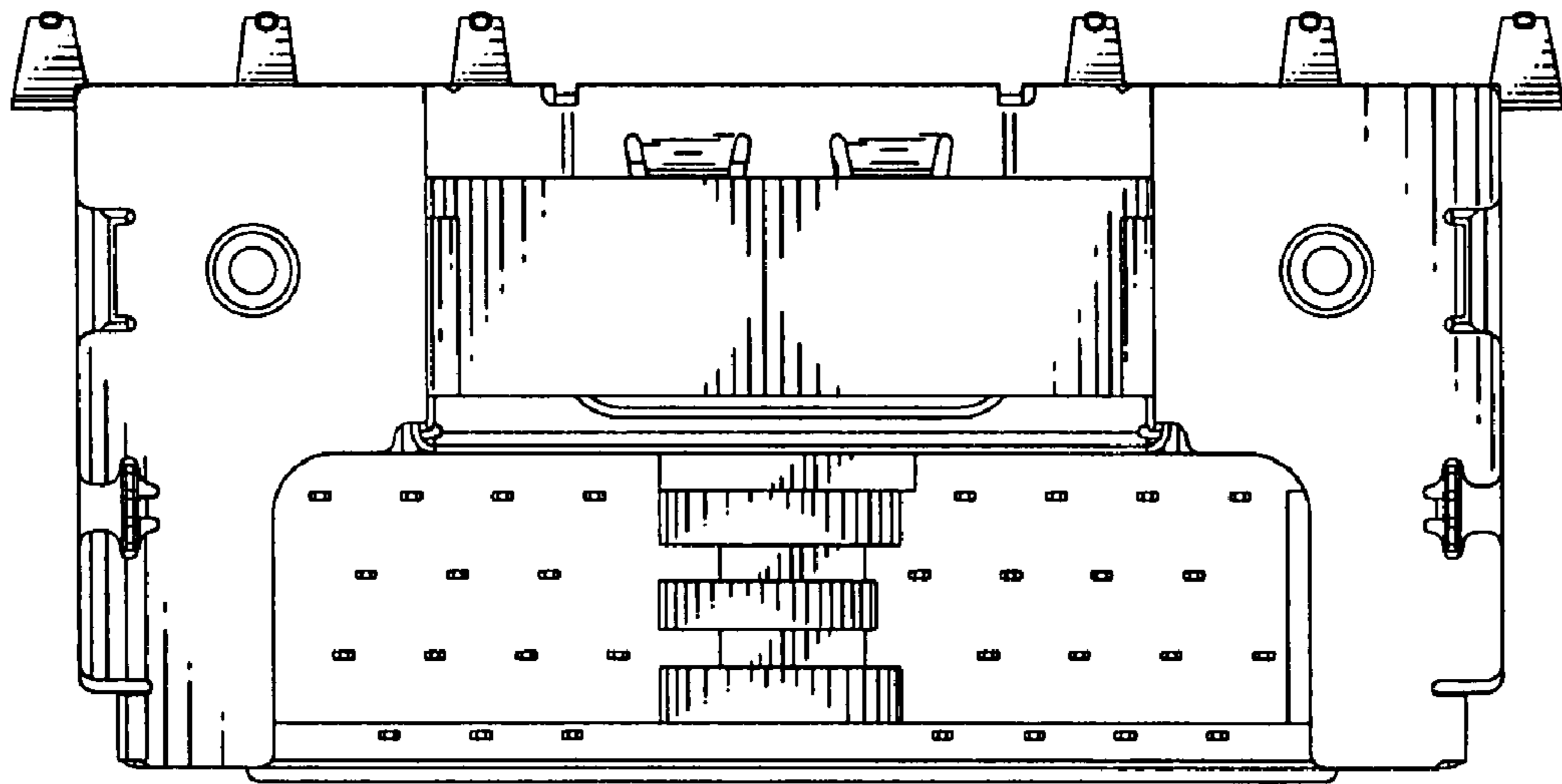


FIG. 7