



US00D550160S

(12) **United States Design Patent**
Fujimoto

(10) **Patent No.:** **US D550,160 S**

(45) **Date of Patent:** **** Sep. 4, 2007**

(54) **CONNECTOR**

D524,747 S * 7/2006 Nishio et al. D13/147

(75) Inventor: **Masaki Fujimoto**, Tsu (JP)

OTHER PUBLICATIONS

(73) Assignee: **Matsushita Electric Works, Ltd.**,
Osaka (JP)

Development of mini USB connector "DX1, 2, 3 series",
<http://www.jae.co.jp/new/jnews178.htm>, Jul. 14, 2004, 1
page.

(**) Term: **14 Years**

Product introduction: new connector products USB2.0 mini
USB connector "DX1, 2, 3 series", Japan Aviation Electron-
ics Industry, Ltd. Catalog, Aviation Electronics Information
No. 28, Mar. 2005, 1 page.

(21) Appl. No.: **29/260,946**

(22) Filed: **Jun. 5, 2006**

* cited by examiner

(30) **Foreign Application Priority Data**

Dec. 5, 2005 (JP) 2005-035785

Primary Examiner—Daniel Bui

(51) **LOC (8) Cl.** **13-03**

(74) *Attorney, Agent, or Firm*—Osha Liang LLP

(52) **U.S. Cl.** **D13/147**

(58) **Field of Classification Search** D13/123,
D13/133, 146–147, 154, 184, 199; 439/79,
439/108, 278, 374, 377, 660, 607–610, 680,
439/682, 883, 891, 894

(57) **CLAIM**

The ornamental design for a connector, as shown and
described.

See application file for complete search history.

DESCRIPTION

FIG. 1 is a perspective view of a connector, showing my new
design;

(56) **References Cited**

U.S. PATENT DOCUMENTS

D476,954 S * 7/2003 Nishio et al. D13/147
D478,050 S * 8/2003 Nishio et al. D13/147
D481,681 S * 11/2003 Takahashi D13/147
D503,682 S * 4/2005 Tanaka et al. D13/147
D509,192 S * 9/2005 Chen D13/147
D509,799 S * 9/2005 Tsai D13/147
D523,400 S * 6/2006 Shang-Yen et al. D13/147
D523,813 S * 6/2006 He et al. D13/147

FIG. 2 is a front view thereof;

FIG. 3 is a rear view thereof;

FIG. 4 is a left side view thereof;

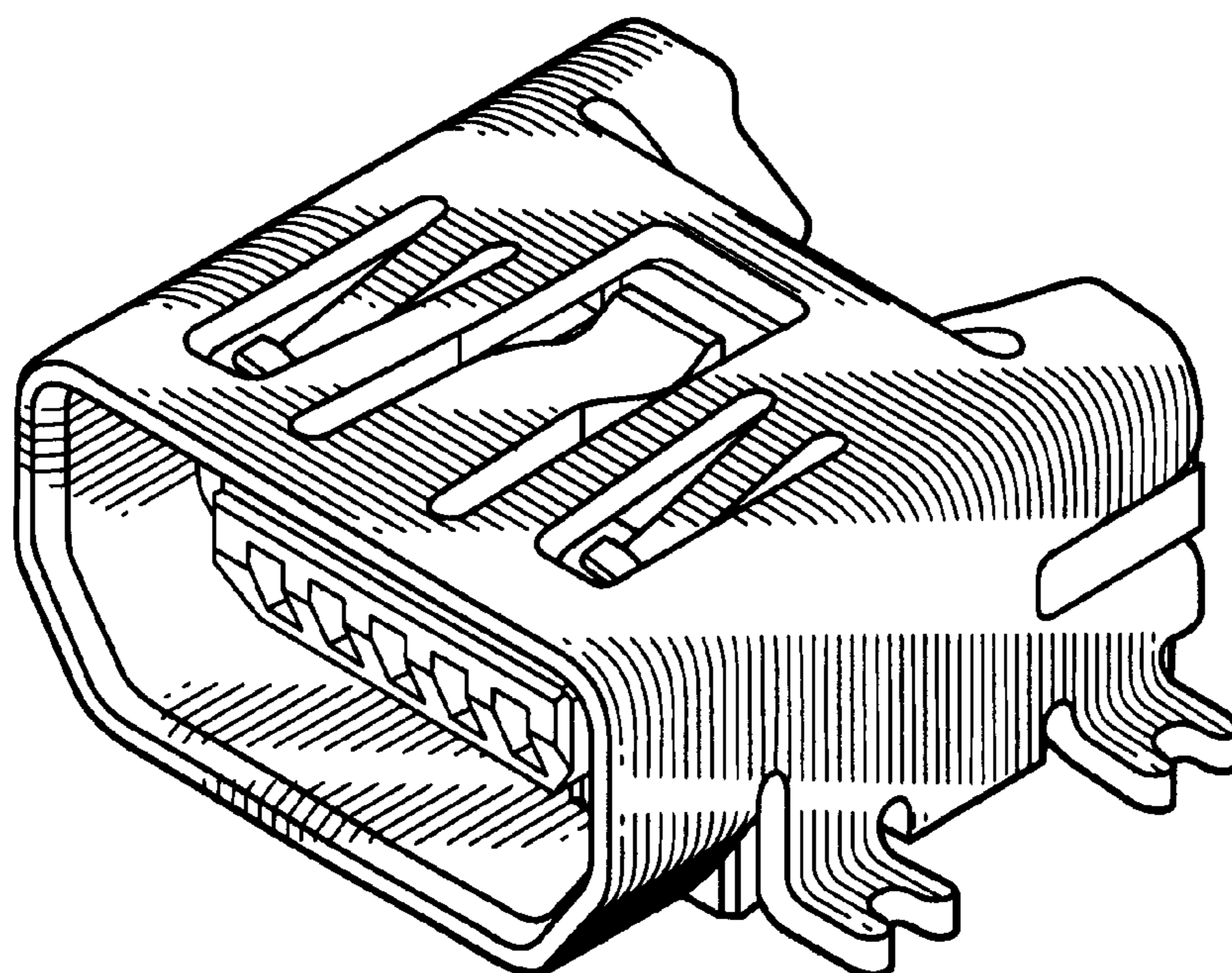
FIG. 5 is a right side view thereof;

FIG. 6 is a top view thereof;

FIG. 7 is a bottom view thereof; and,

FIG. 8 is a cross-sectional view thereof, taken along line
8—8 as shown in FIG. 2.

1 Claim, 4 Drawing Sheets



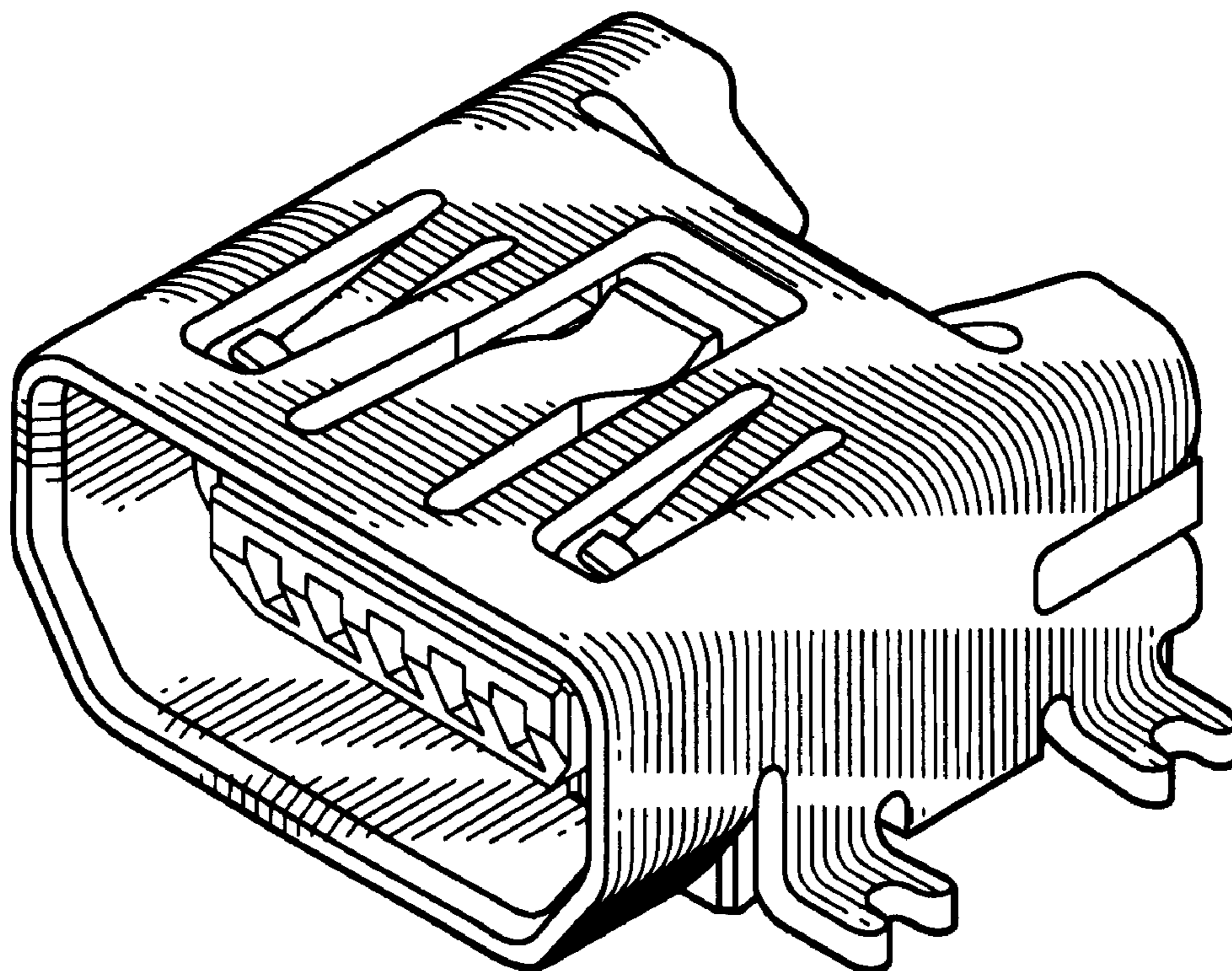


FIG. 1

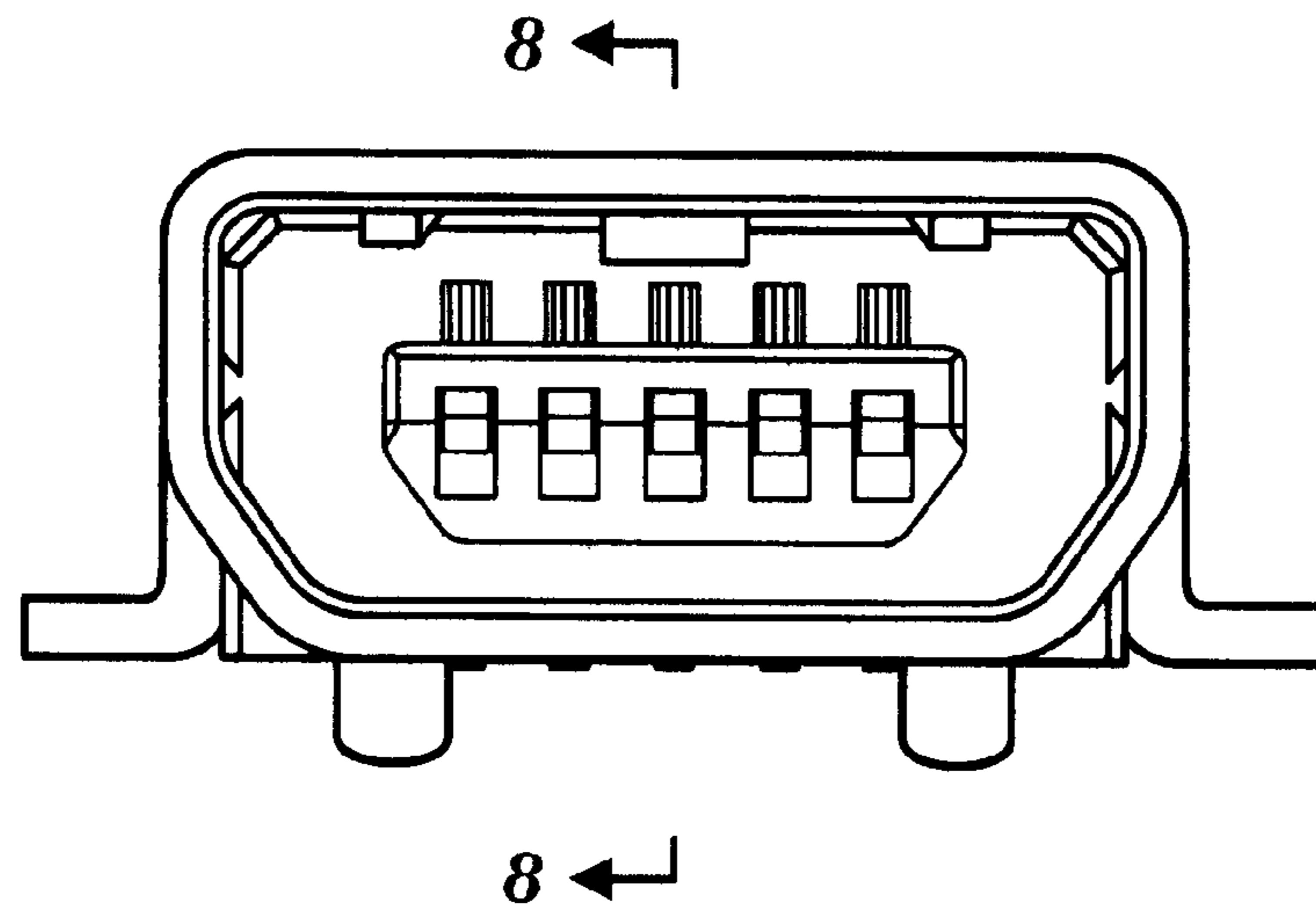
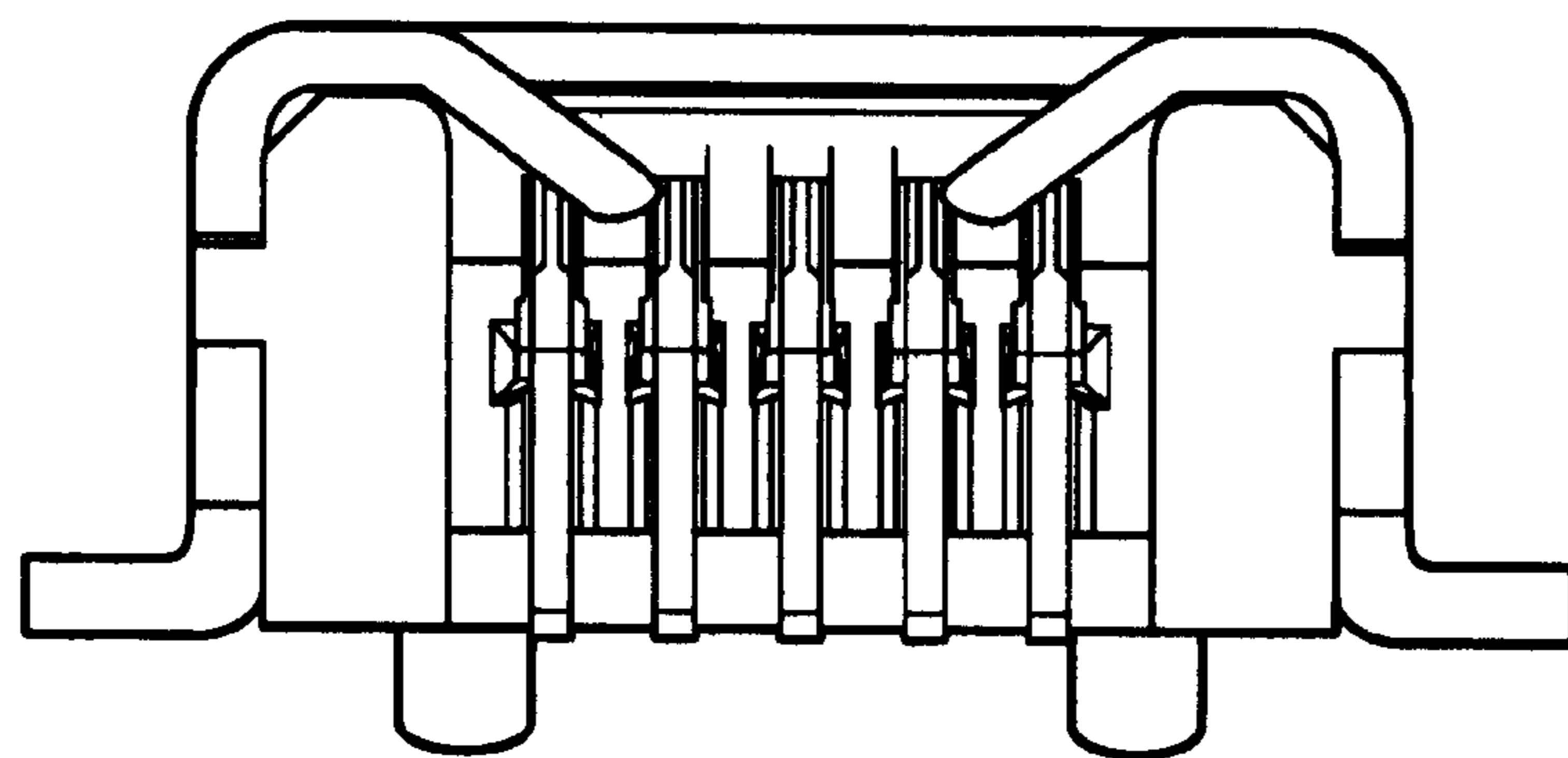


FIG. 2



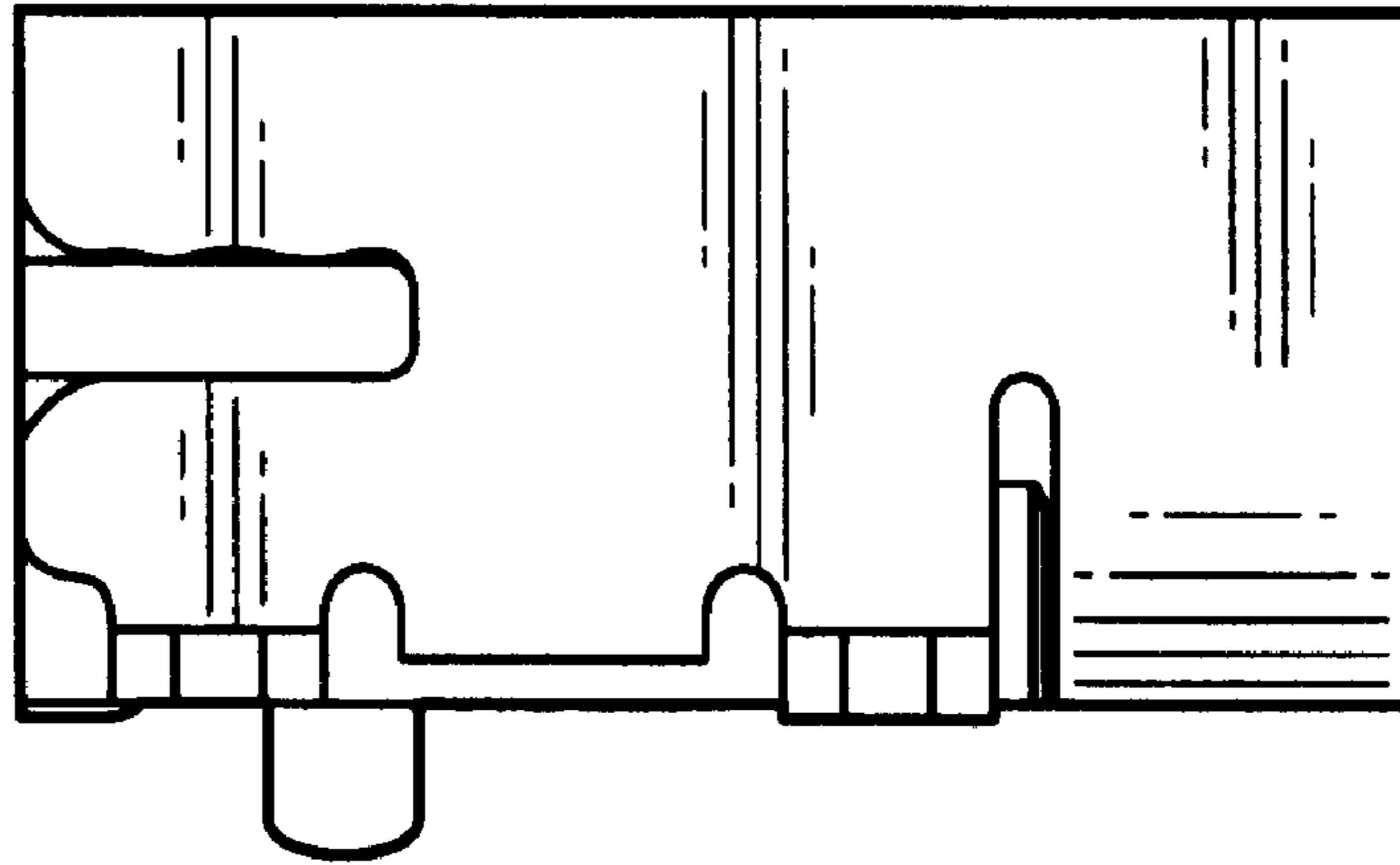


FIG. 4

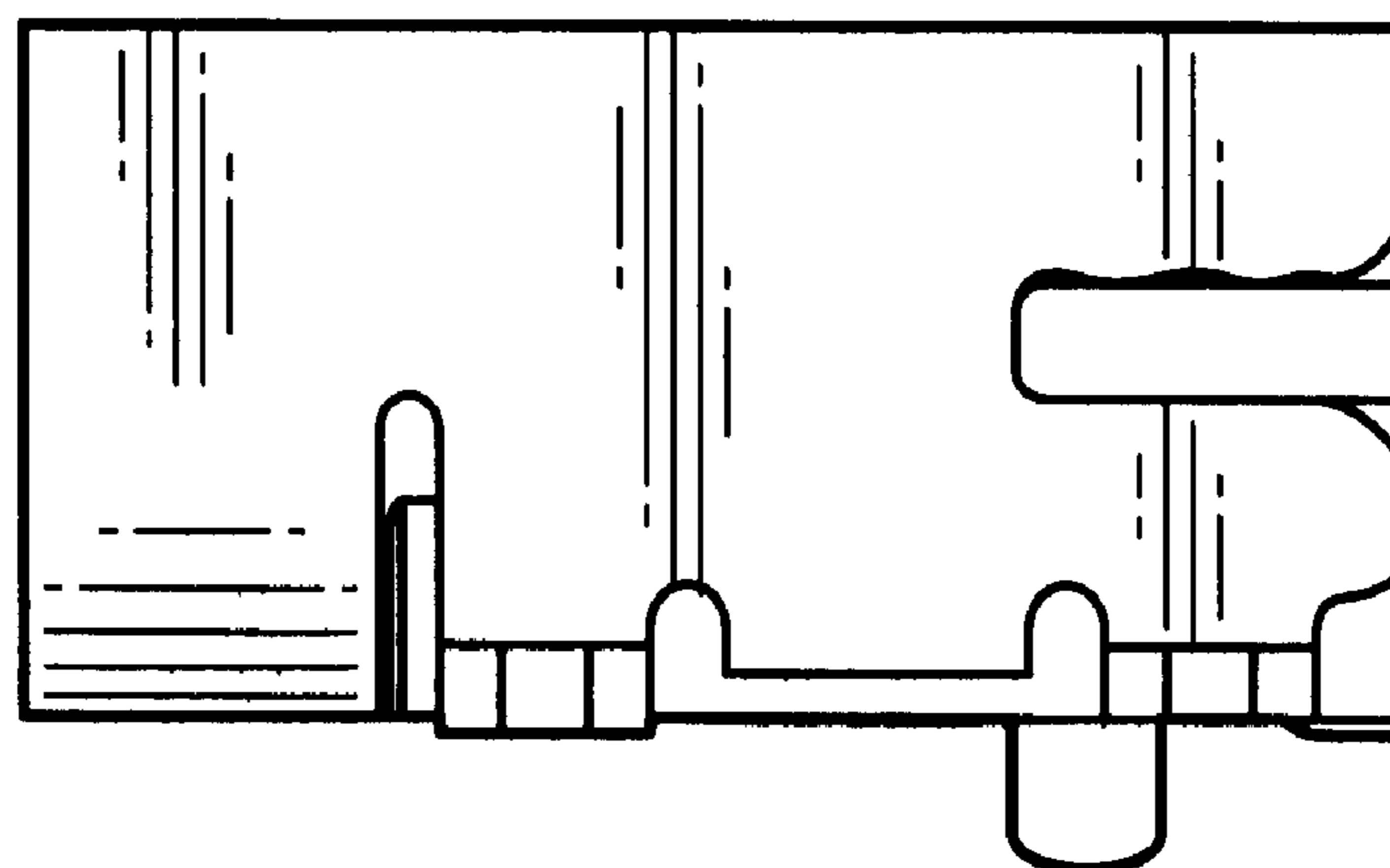


FIG. 5

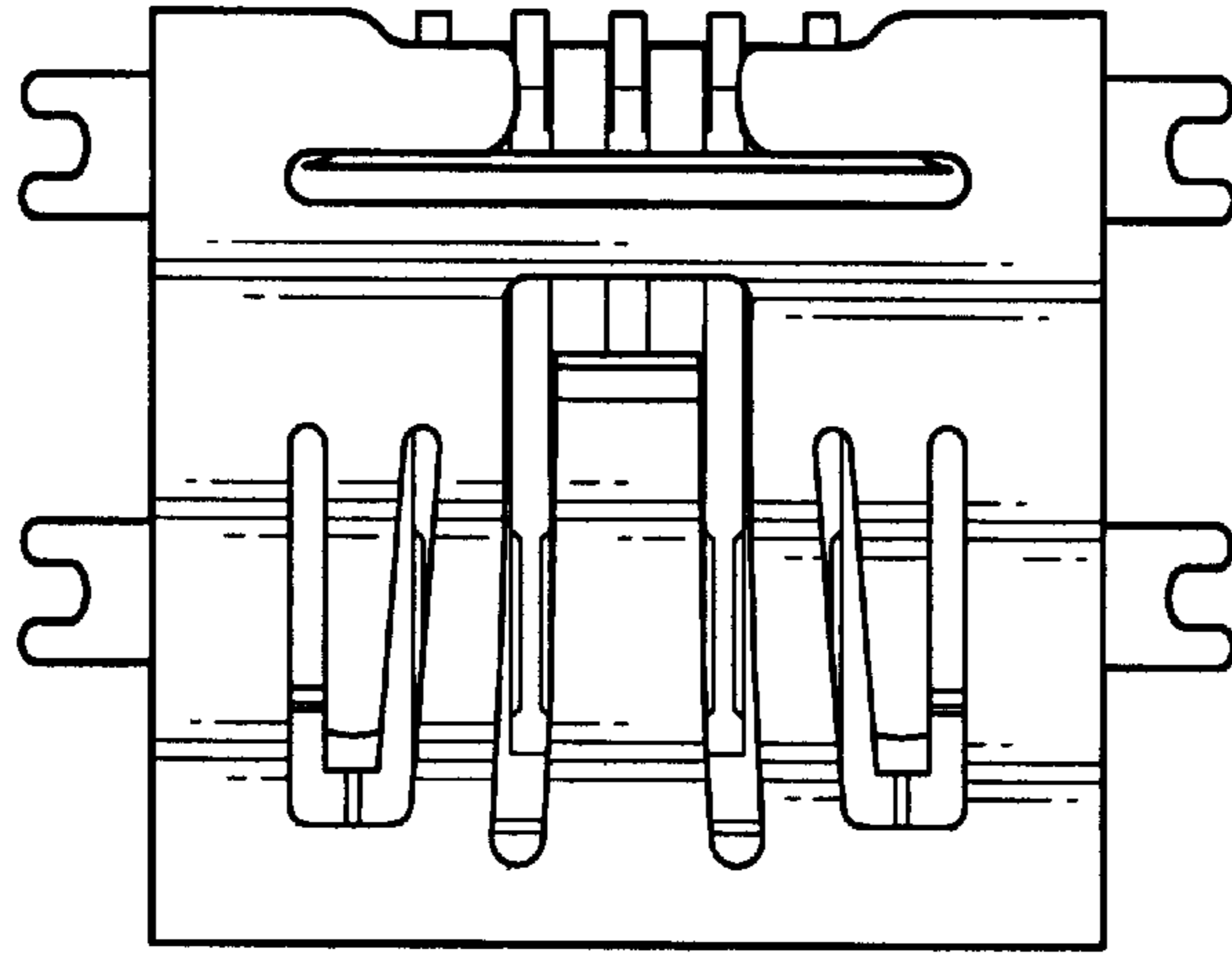


FIG. 6

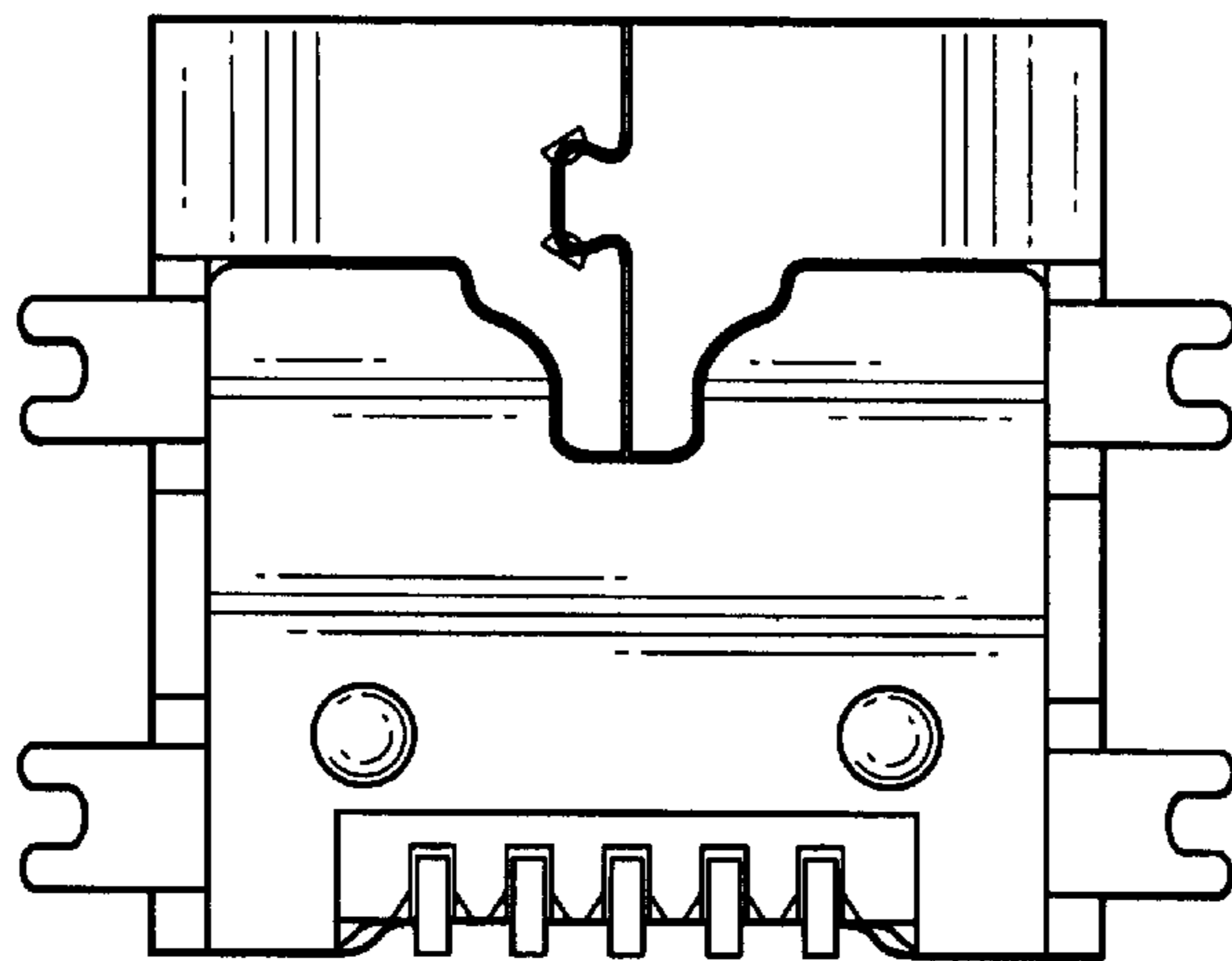


FIG. 7

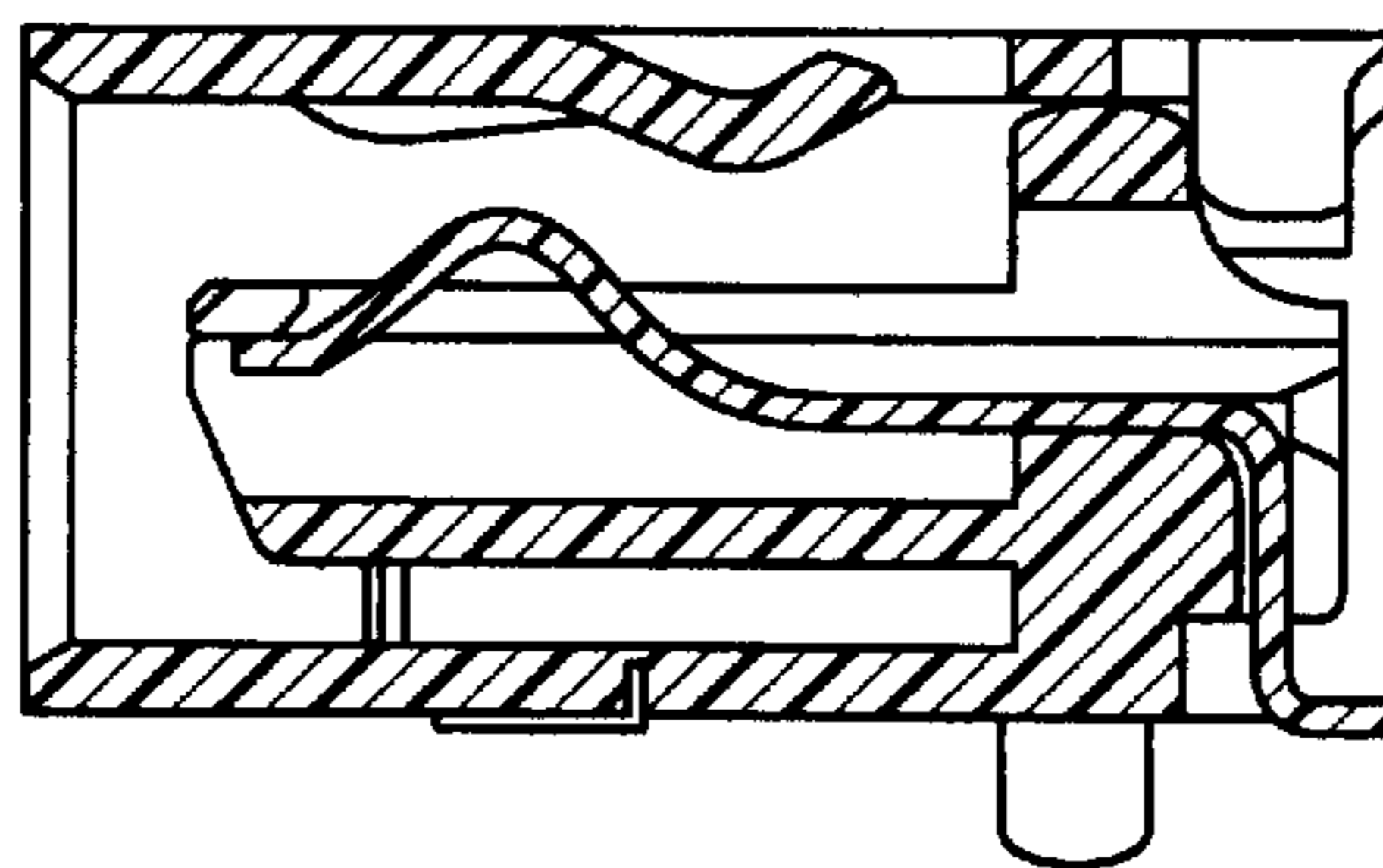


FIG. 8