



US00D550158S

(12) **United States Design Patent**
Victor

(10) **Patent No.:** **US D550,158 S**

(45) **Date of Patent:** **** Sep. 4, 2007**

(54) **BREAKOUT FOR CABLE ASSEMBLY**

D503,152 S * 3/2005 Suckle et al. D13/154
D514,524 S * 2/2006 Suckle D13/156

(76) Inventor: **Jay Victor**, 2017 Bataan Rd., Unit A,
Redondo Beach, CA (US) 90278

* cited by examiner

(**) Term: **14 Years**

Primary Examiner—Daniel Bui
(74) *Attorney, Agent, or Firm*—Trojan Law Offices

(21) Appl. No.: **29/248,283**

(57) **CLAIM**

(22) Filed: **Aug. 7, 2006**

The ornamental design for a breakout for cable assembly, as shown and described.

(51) **LOC (8) Cl.** **13-03**

(52) **U.S. Cl.** **D13/146; D13/133**

(58) **Field of Classification Search** D13/133,
D13/146–147, 153–154, 184, 199; 439/350,
439/352, 447, 582–583, 694, 607–610, 660,
439/677, 680–682

DESCRIPTION

See application file for complete search history.

FIG. 1 is a perspective view of a breakout for cable assembly, showing my new design;

FIG. 2 is a side view of the breakout for cable assembly shown in FIG. 1; and,

FIG. 3 is a top view of the breakout for cable assembly shown in FIG. 1.

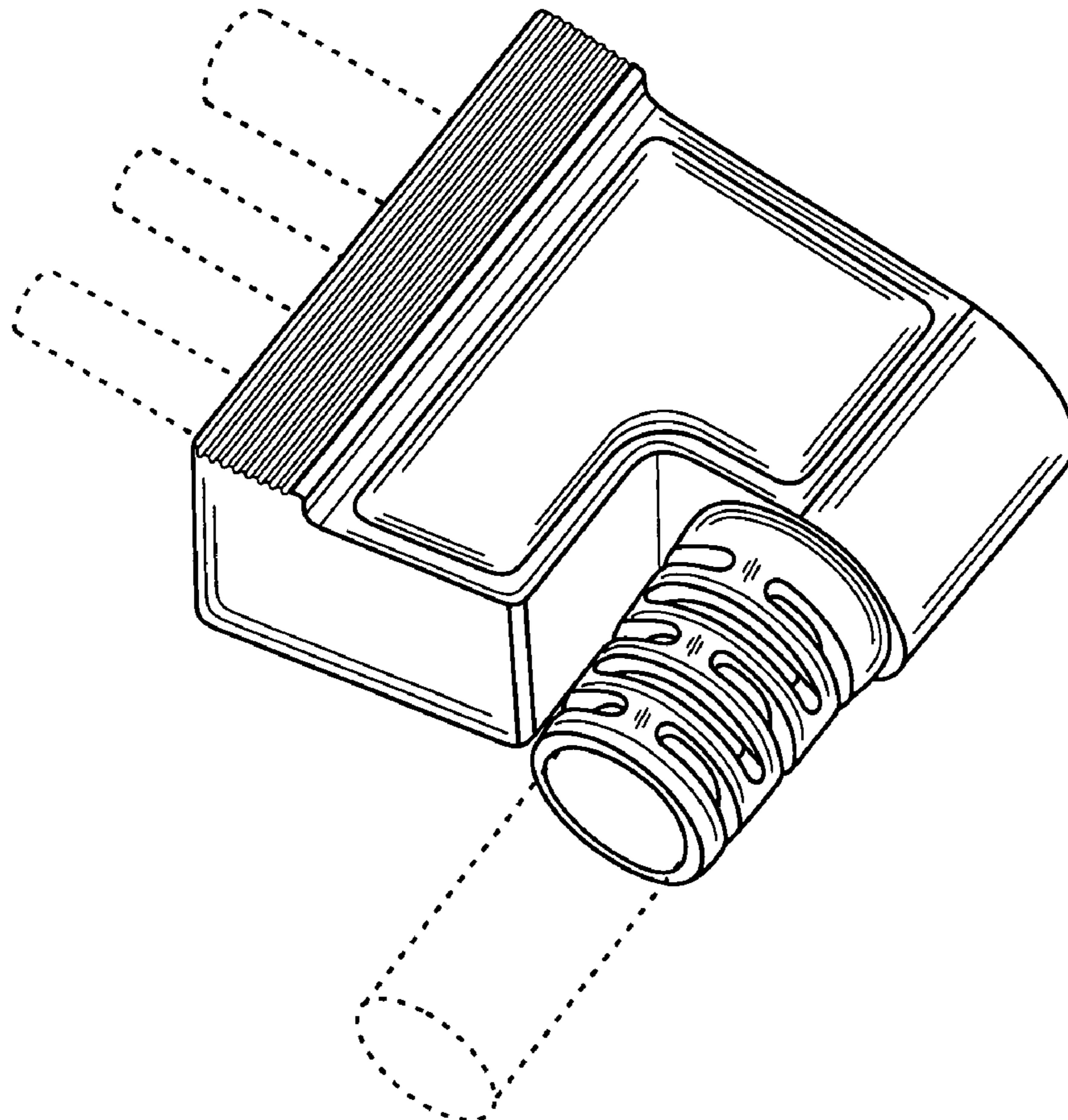
(56) **References Cited**

The broken lines showing cable lines in FIGS. 1 through 3 are for illustrative purposes only and form no part of the claimed design.

U.S. PATENT DOCUMENTS

4,838,808 A * 6/1989 Fujiura 439/357
D349,099 S * 7/1994 Robertson et al. D13/147
D415,111 S * 10/1999 Lee D13/154
D447,121 S * 8/2001 Yim D13/147
D455,401 S * 4/2002 Goto D13/147

1 Claim, 3 Drawing Sheets



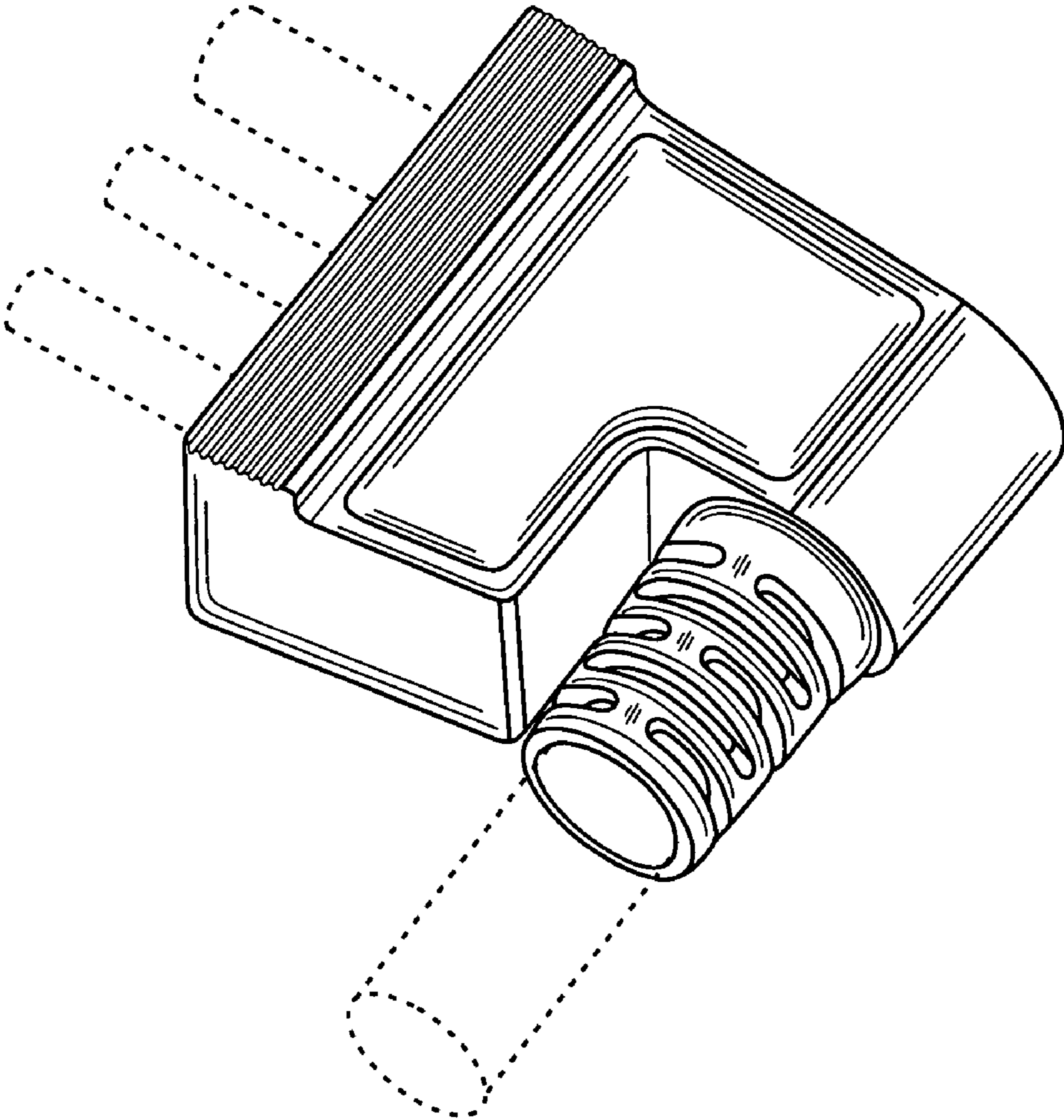


FIG. 1

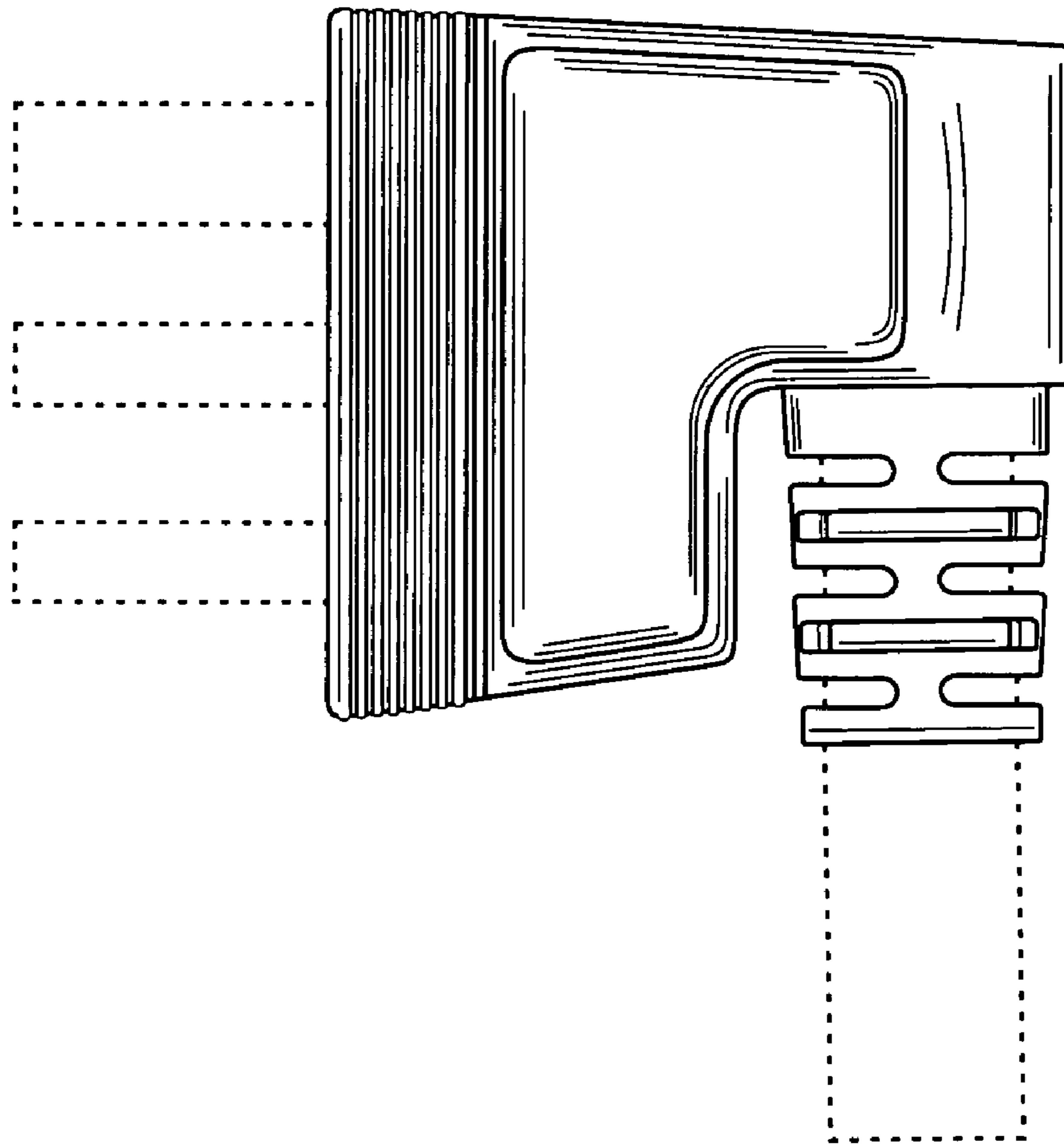


FIG. 2

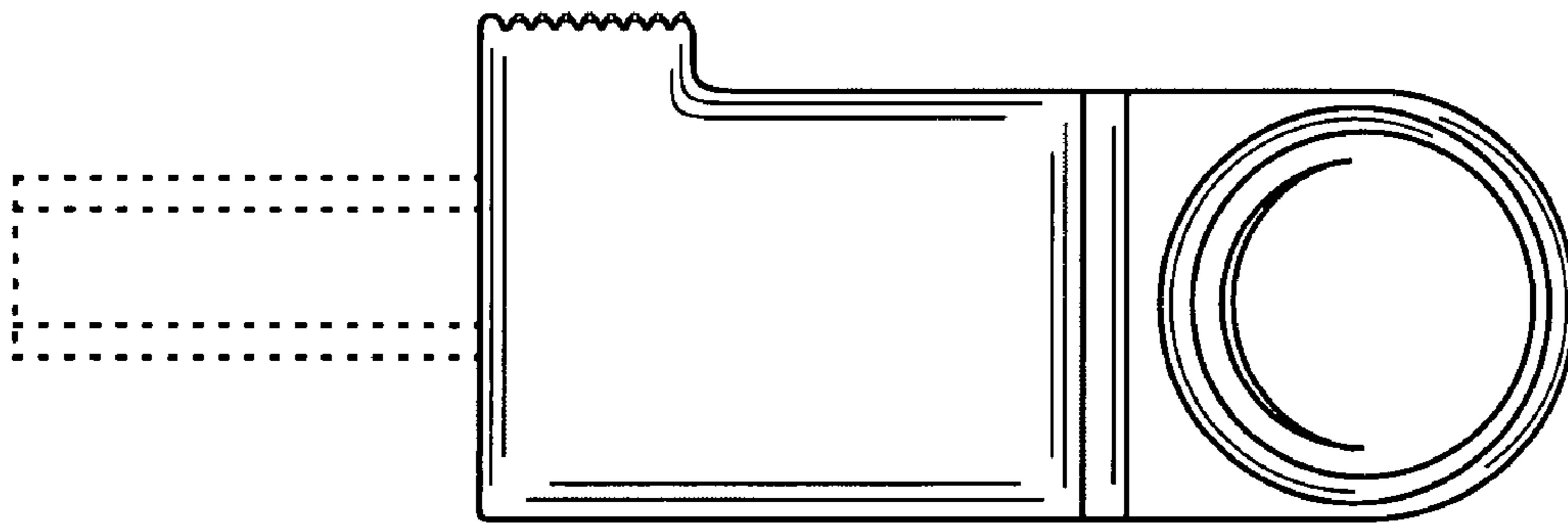


FIG. 3