



US00D550157S

(12) **United States Design Patent**
Victor

(10) **Patent No.:** **US D550,157 S**

(45) **Date of Patent:** **** Sep. 4, 2007**

(54) **Y-ADAPTER**

(76) **Inventor:** **Jay Victor**, 2017 Bataan Rd., Unit A,
Redondo Beach, CA (US) 90278

(**) **Term:** **14 Years**

(21) **Appl. No.:** **29/258,375**

(22) **Filed:** **Apr. 20, 2006**

(51) **LOC (8) Cl.** **13-03**

(52) **U.S. Cl.** **D13/133; D13/145; D13/153**

(58) **Field of Classification Search** D13/133,
D13/146-147, 153-154, 184, 199; 174/72 R;
439/489, 502, 505, 578, 584-585, 625
See application file for complete search history.

(56) **References Cited**

U.S. PATENT DOCUMENTS

5,117,479	A	*	5/1992	Erdman et al.	385/136
D330,192	S	*	10/1992	Holland et al.	D13/153
D371,133	S	*	6/1996	Andrea	D14/206
D385,254	S	*	10/1997	Owusu	D13/133
D405,049	S	*	2/1999	Huang et al.	D13/133
D407,369	S	*	3/1999	Cormack	D13/133

D450,039	S	*	11/2001	Goto	D13/147
D515,511	S	*	2/2006	Nishio et al.	D13/147
D516,510	S	*	3/2006	Disbennett et al.	D13/133
D519,084	S	*	4/2006	Hertel et al.	D13/154

* cited by examiner

Primary Examiner—Daniel Bui

(74) *Attorney, Agent, or Firm*—Trojan Law Office

(57) **CLAIM**

The ornamental design for a Y-adapter, as shown and described.

DESCRIPTION

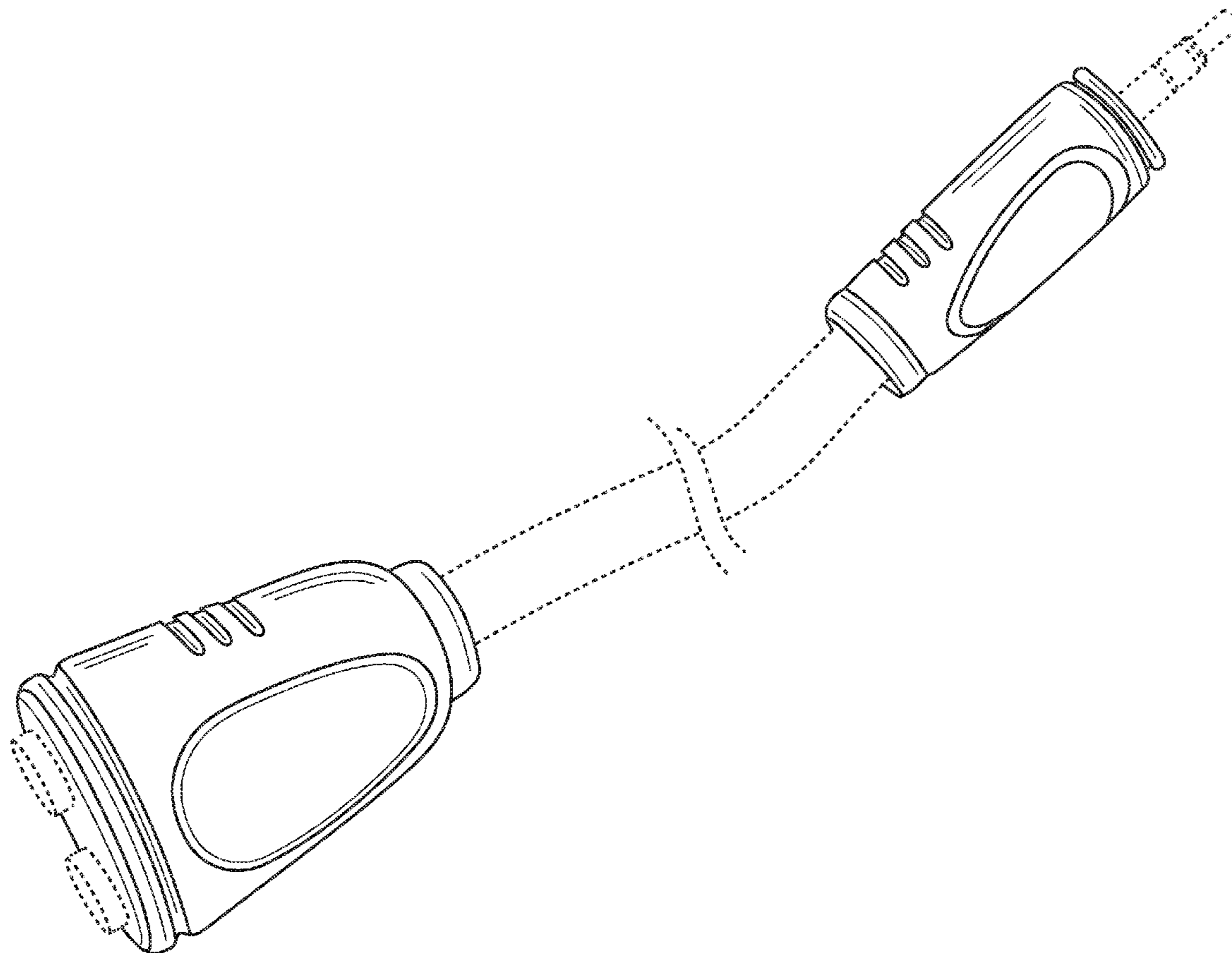
FIG. 1 is a perspective view of a Y-adapter, showing my new design;

FIG. 2 is a top plan view thereof, the bottom plan view is a mirror image thereto; and,

FIG. 3 is a side elevation view thereof, the opposite side elevation view is a mirror image thereto.

The broken line showing of the environment is for illustrative purposes only and forms no part of the claimed design.

1 Claim, 3 Drawing Sheets



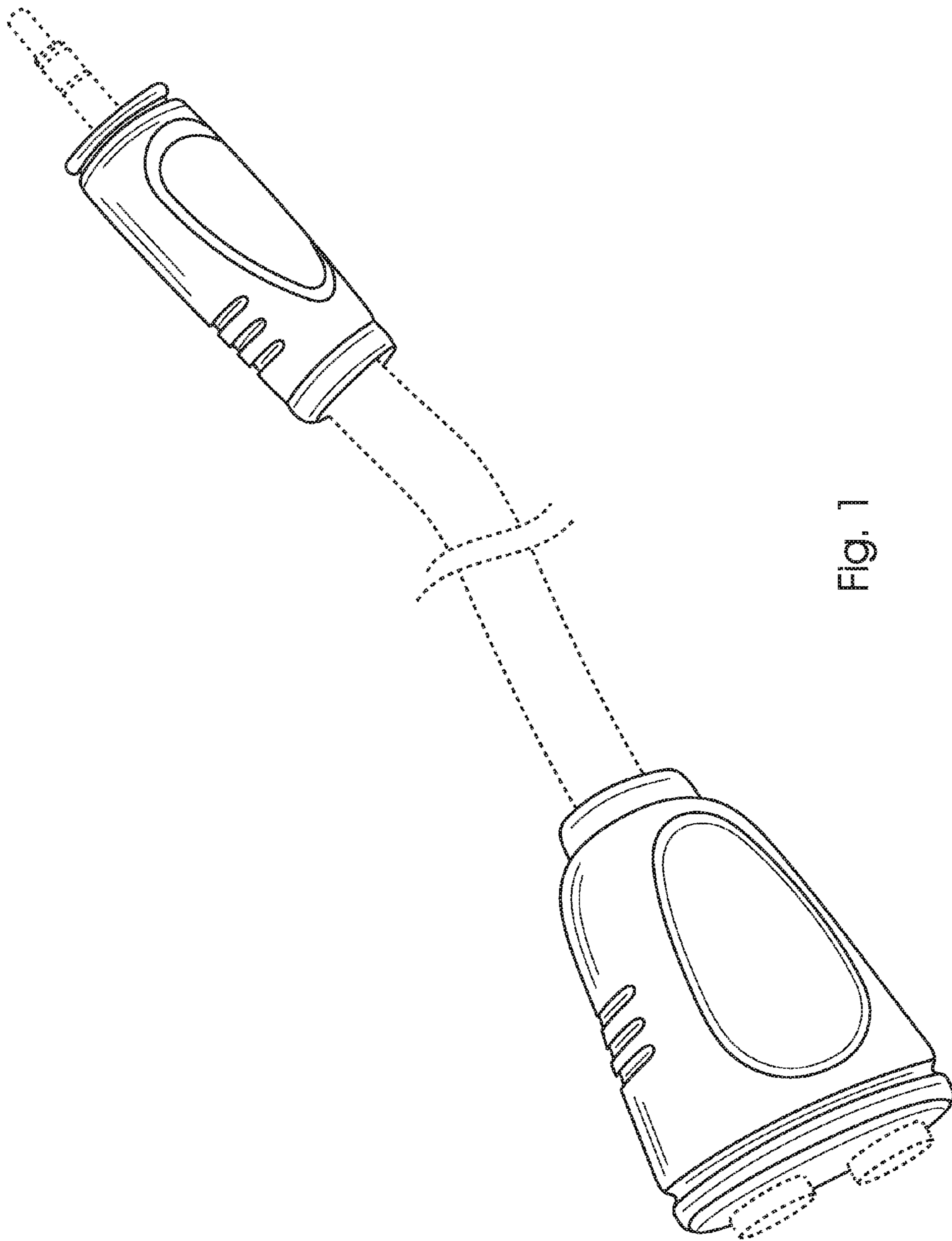


FIG. 1

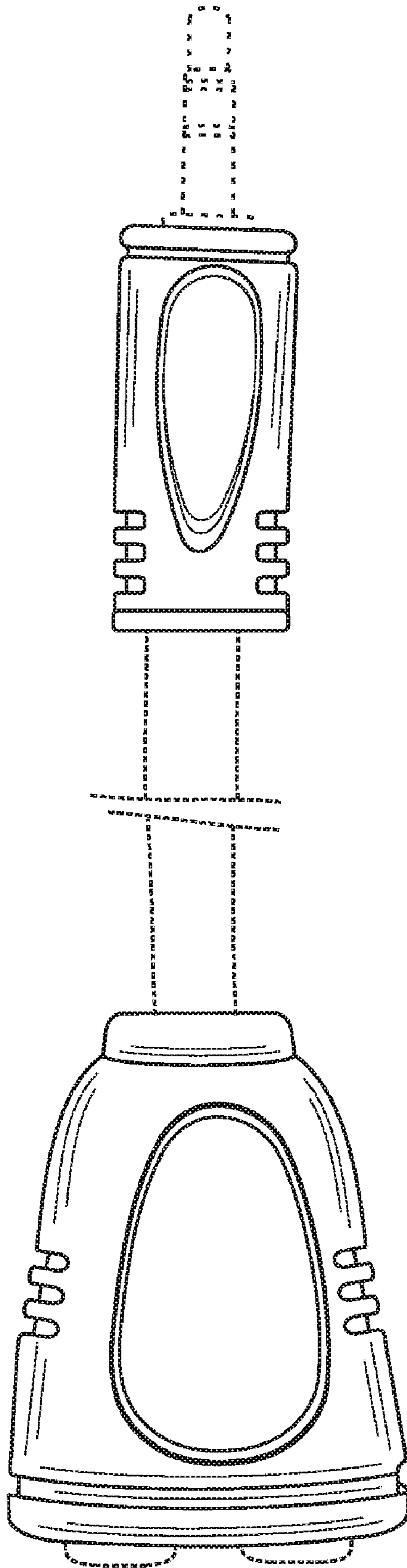


Fig. 2

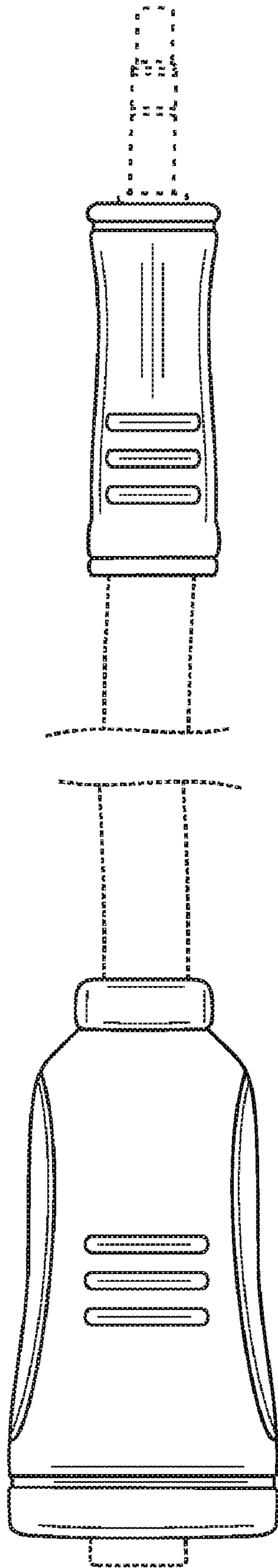


Fig. 3