



US00D550155S

(12) **United States Design Patent** (10) **Patent No.:** **US D550,155 S**  
**Thorsteinsson et al.** (45) **Date of Patent:** **\*\* Sep. 4, 2007**

(54) **ELECTRICAL TRANSFORMER**

(75) Inventors: **Sigurdur Thorsteinsson**, Milan (IT);  
**Egil Stryken**, Solbergelva (NO);  
**Richard Tinggren**, Thalwil (CH)

(73) Assignee: **ABB Technology AG** (CH)

(\*\*) Term: **14 Years**

(21) Appl. No.: **29/275,256**

(22) Filed: **Dec. 19, 2006**

**Related U.S. Application Data**

(62) Division of application No. 29/204,775, filed on May 5, 2004.

(30) **Foreign Application Priority Data**

Nov. 12, 2003 (EM) ..... 000102397

(51) **LOC (8) Cl.** ..... **13-02**

(52) **U.S. Cl.** ..... **D13/110**

(58) **Field of Classification Search** ..... D13/110,  
D13/4, 11, 101, 199; 174/52 R; 220/4.02;  
336/92, 94, 98, 107; 363/153, 171  
See application file for complete search history.

(56) **References Cited**

**U.S. PATENT DOCUMENTS**

- D188,248 S 6/1960 Albright et al.
- D188,249 S 6/1960 Albright et al.
- 2,947,957 A 8/1960 Spindler
- D202,045 S 8/1965 Oberlin
- 3,479,563 A 11/1969 Roy
- 3,781,741 A \* 12/1973 Weiner ..... 336/192

- 4,027,279 A 5/1977 Shigehara et al.
- D257,342 S 10/1980 Payne
- 4,257,027 A \* 3/1981 Yasuhisa ..... 336/192
- D259,040 S 4/1981 Pierce
- D290,456 S 6/1987 Burgher et al.
- D294,565 S \* 3/1988 Makinson et al. .... D13/110
- D324,371 S \* 3/1992 Patty ..... D13/110
- 6,185,811 B1 2/2001 Perry et al.

**OTHER PUBLICATIONS**

- ABB Inc., Power Transformers, 2003, 11 pgs.
- ASA Trafobau GMBH, 24 pgs, date unknown.
- Koncar-Distributivni I Specijalni Transformatori d.d., Power Transformers, (3,2) V 01, 8 pgs, date unknown.
- SGB Starkstrom and SMIT Transformers, Partners in Power, 6 pgs, date unknown.
- MF Transformatori srl, Oil Filled Transformer, 14 pgs, date unknown.

\* cited by examiner

*Primary Examiner*—Prabhakar Deshmukh

*Assistant Examiner*—Derrick Holland

(74) *Attorney, Agent, or Firm*—Connolly Bove Lodge & Hutz, LLP

(57) **CLAIM**

The ornamental design for an electrical transformer, as shown and described.

**DESCRIPTION**

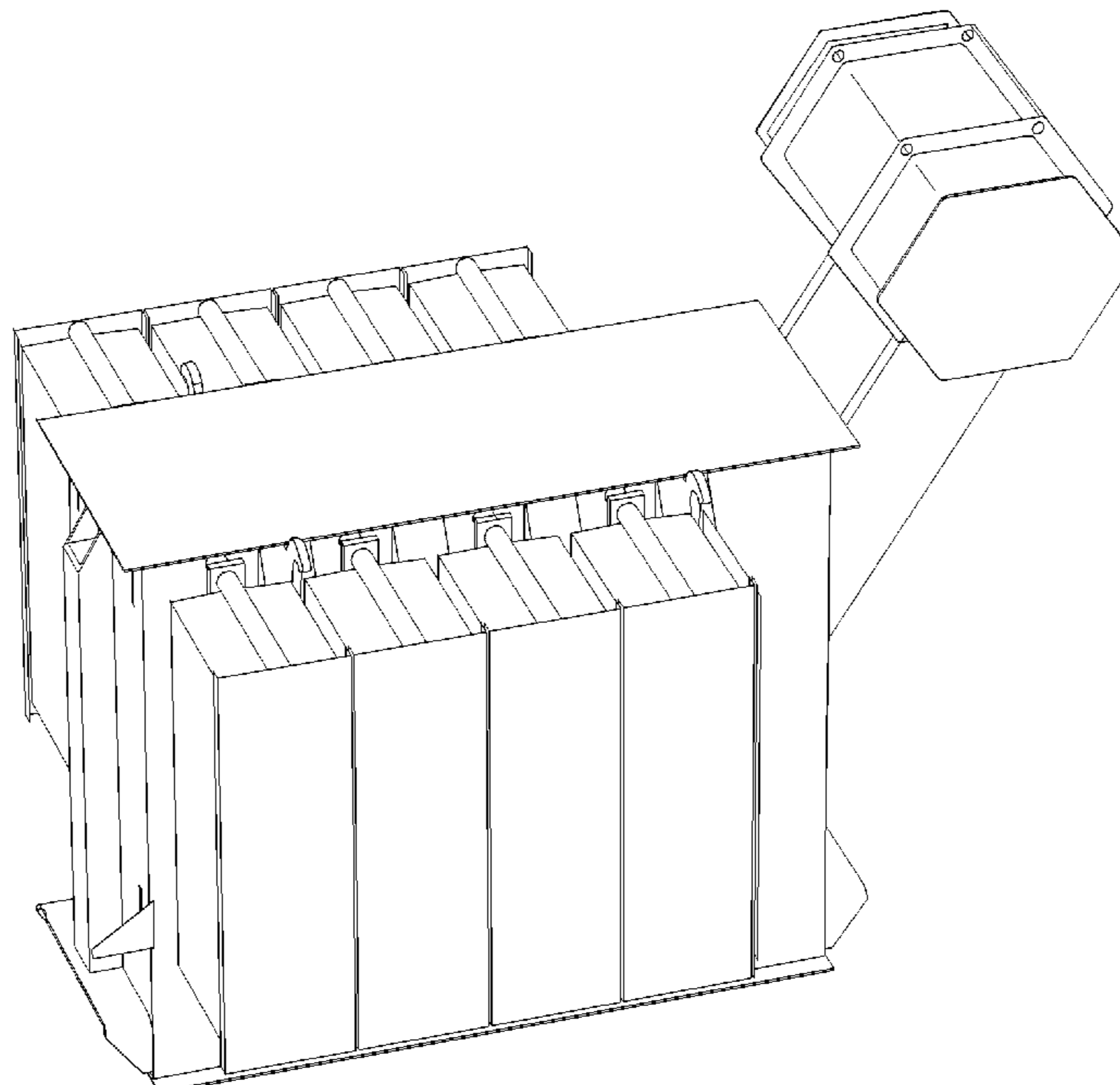
FIG. 1 is a front view of an electrical transformer;

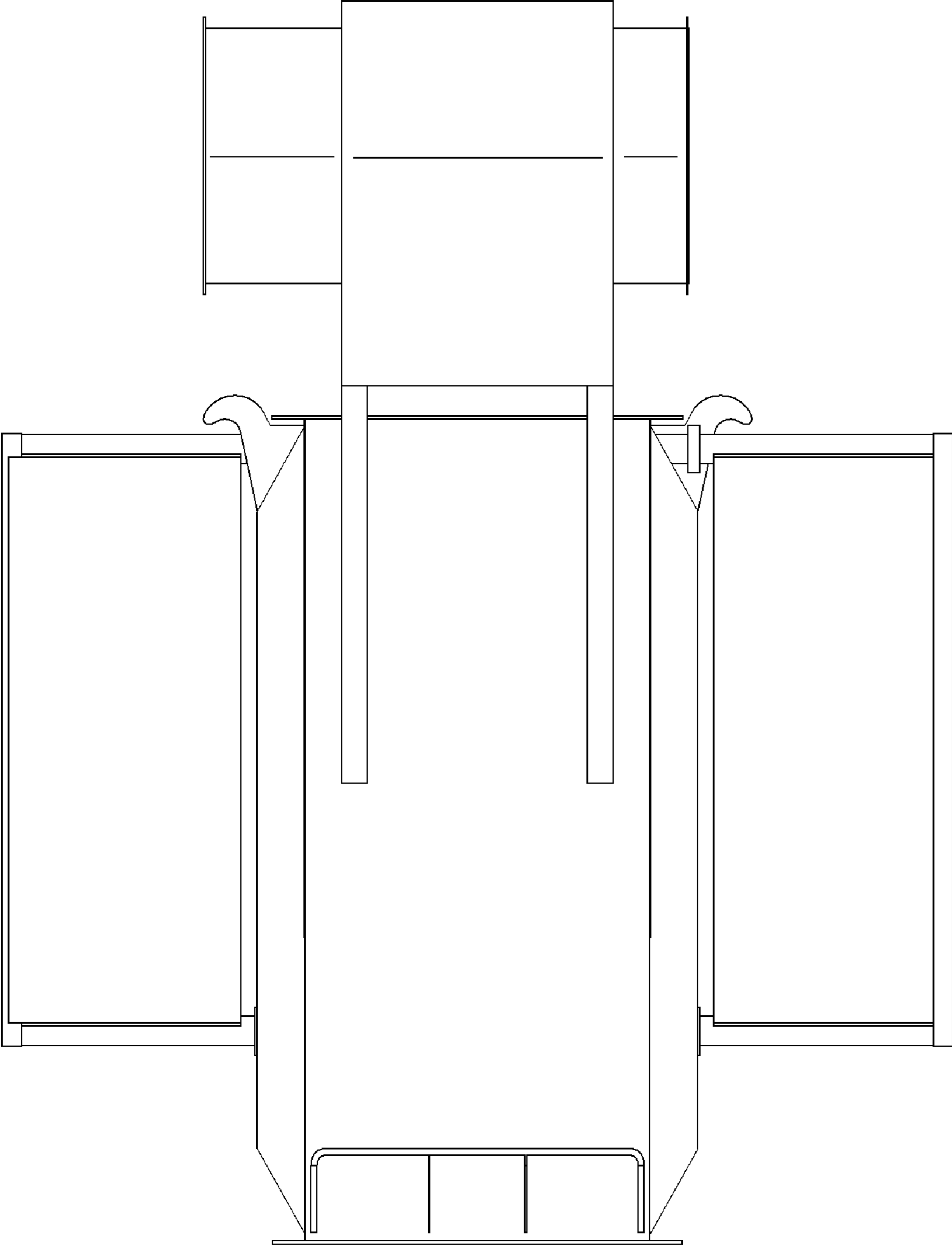
FIG. 2 is a top view of said electrical transformer;

FIG. 3 is a side view of said electrical transformer; and,

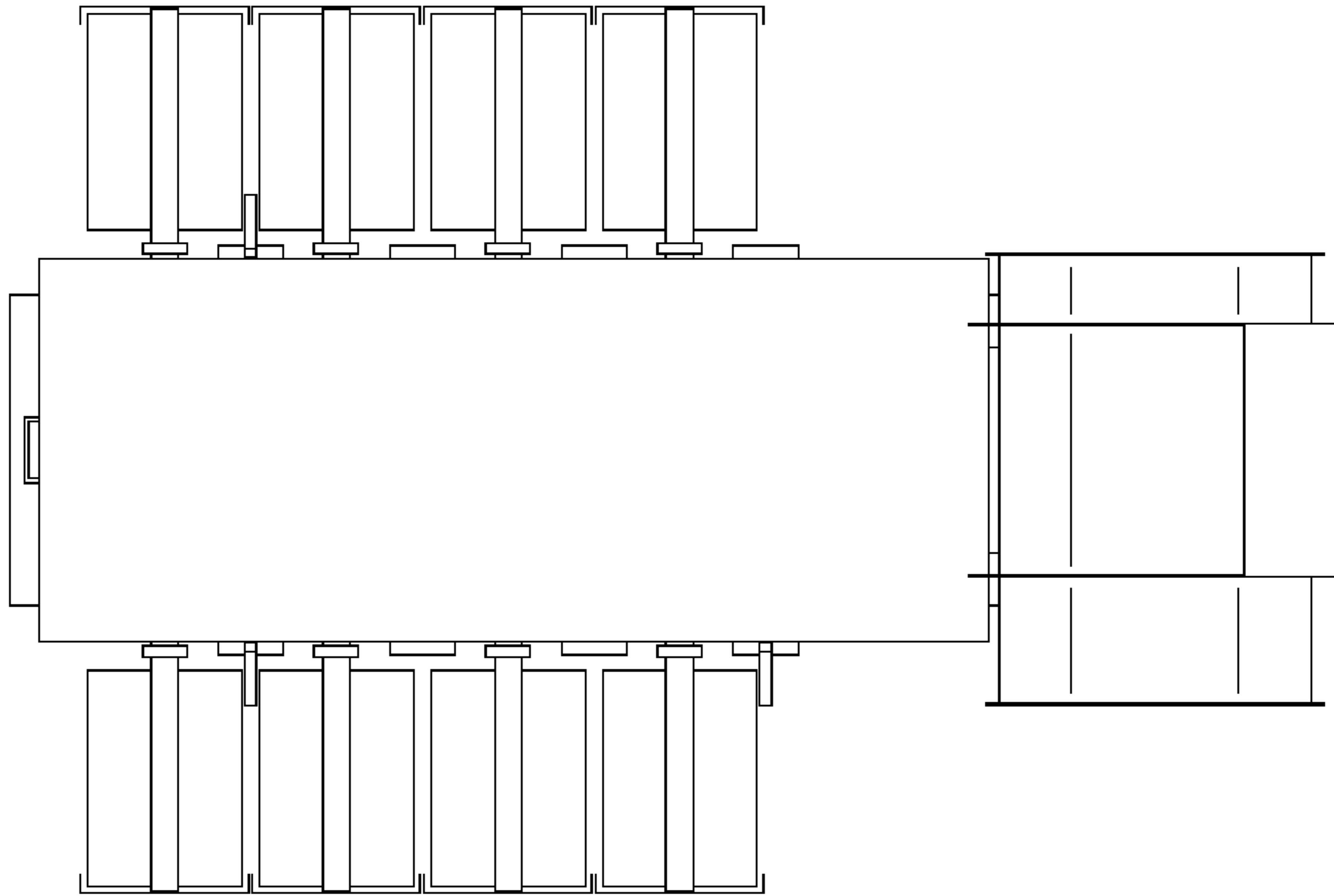
FIG. 4 is a perspective view of said electrical transformer.

**1 Claim, 3 Drawing Sheets**

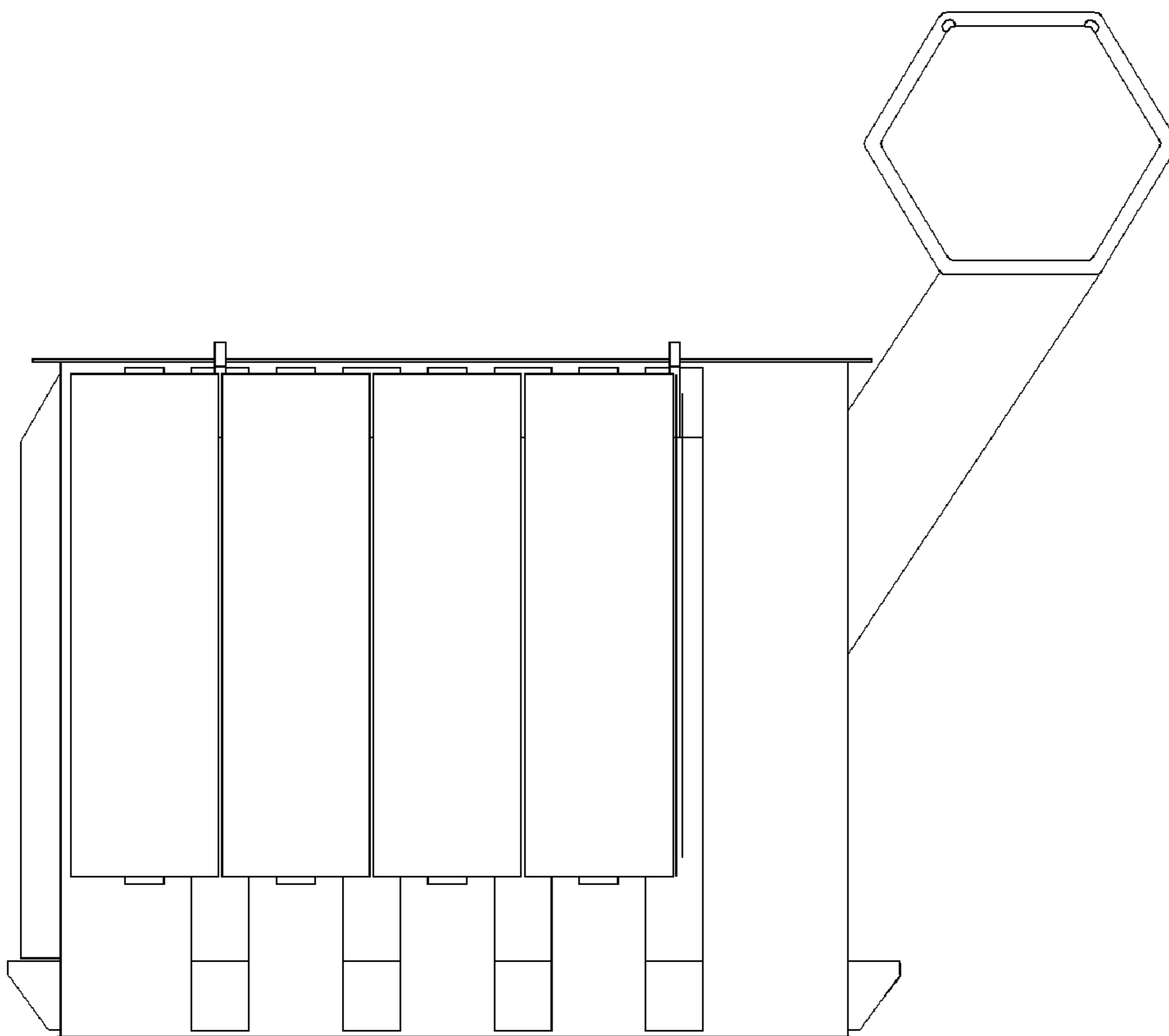




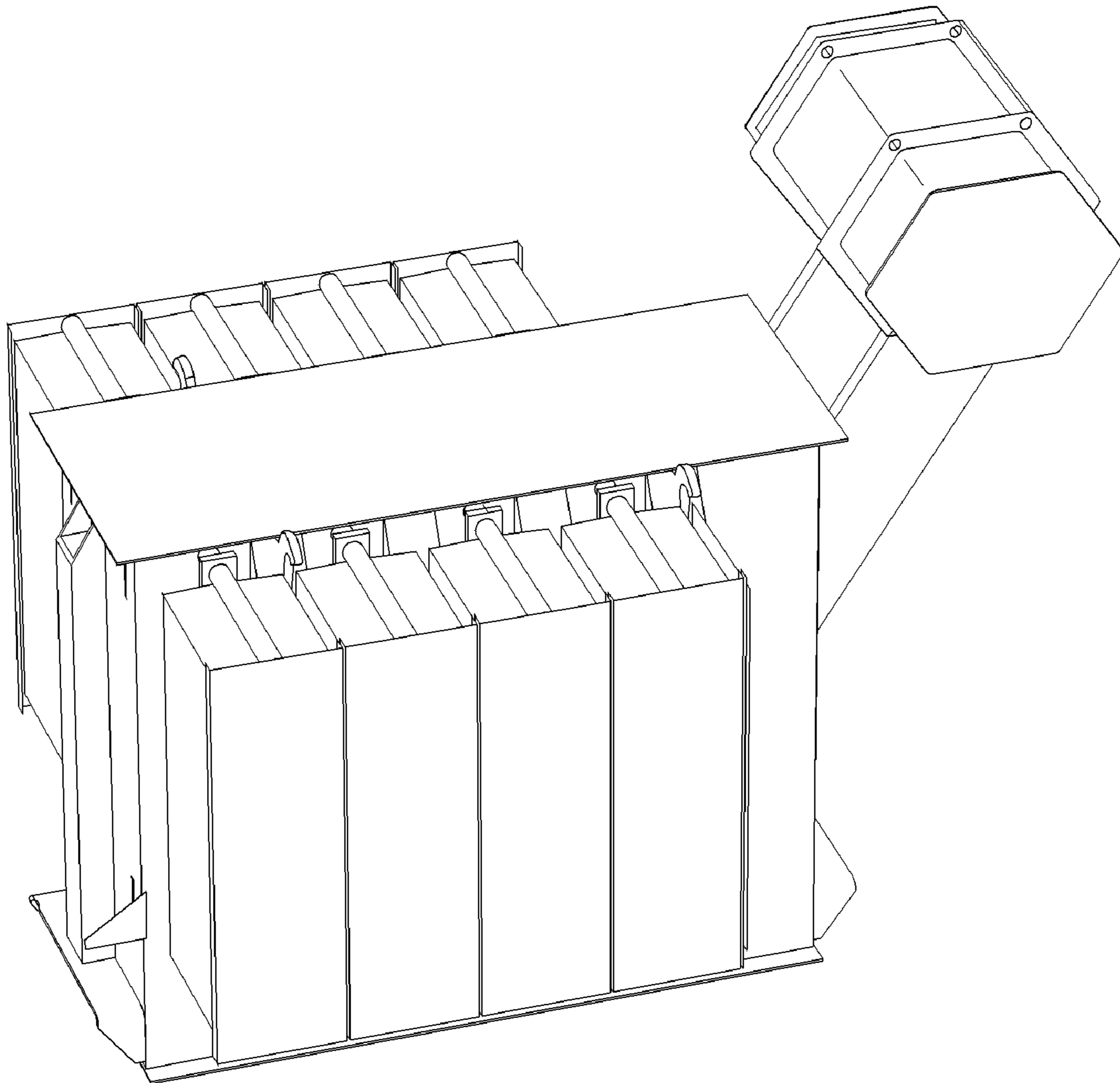
**FIG. 1**



**FIG. 2**



**FIG. 3**



**FIG. 4**