



US00D550152S

(12) **United States Design Patent** (10) **Patent No.:** **US D550,152 S**
Okuda et al. (45) **Date of Patent:** **** Sep. 4, 2007**

(54) **BATTERY PACK**

(75) Inventors: **Shinsuke Okuda**, Anjo (JP); **Takashi Tsujimura**, Anjo (JP)

(73) Assignee: **Makita Corporation**, Anjo (JP)

(**) Term: **14 Years**

(21) Appl. No.: **29/265,332**

(22) Filed: **Aug. 30, 2006**

(30) **Foreign Application Priority Data**

Mar. 6, 2006 (JP) 2006-005494

(51) **LOC (8) Cl.** **13-02**

(52) **U.S. Cl.** **D13/103**

(58) **Field of Classification Search** D13/102-106,
D13/110, 118-119, 184; 429/96-100, 163,
429/176

See application file for complete search history.

(56) **References Cited**

U.S. PATENT DOCUMENTS

D415,100 S * 10/1999 Buck D13/103
D436,917 S * 1/2001 Hayakawa et al. D13/103
D456,002 S * 4/2002 Kato et al. D13/103
D477,811 S * 7/2003 Niwa et al. D13/103
D478,608 S * 8/2003 Briks et al. D16/237
D481,672 S 11/2003 Niwa et al.

D483,012 S * 12/2003 Hsu D13/103
D512,961 S 12/2005 Okuda et al.
D514,060 S * 1/2006 Wong et al. D13/103
D516,020 S * 2/2006 Wong et al. D13/103
D516,504 S * 3/2006 Okuda et al. D13/103
D523,807 S * 6/2006 Murayama et al. D13/103
D524,728 S * 7/2006 Watson D13/103
2004/0106036 A1* 6/2004 Geis et al. 429/99

* cited by examiner

Primary Examiner—Alan P. Douglas

Assistant Examiner—Rosemary K. Tarcza

(74) *Attorney, Agent, or Firm*—Oliff & Berridge, PLC

(57) **CLAIM**

The ornamental design for a battery pack, as shown and described.

DESCRIPTION

FIG. 1 is a perspective view of a battery pack showing our new design;

FIG. 2 is a front elevation view thereof;

FIG. 3 is a rear elevation view thereof;

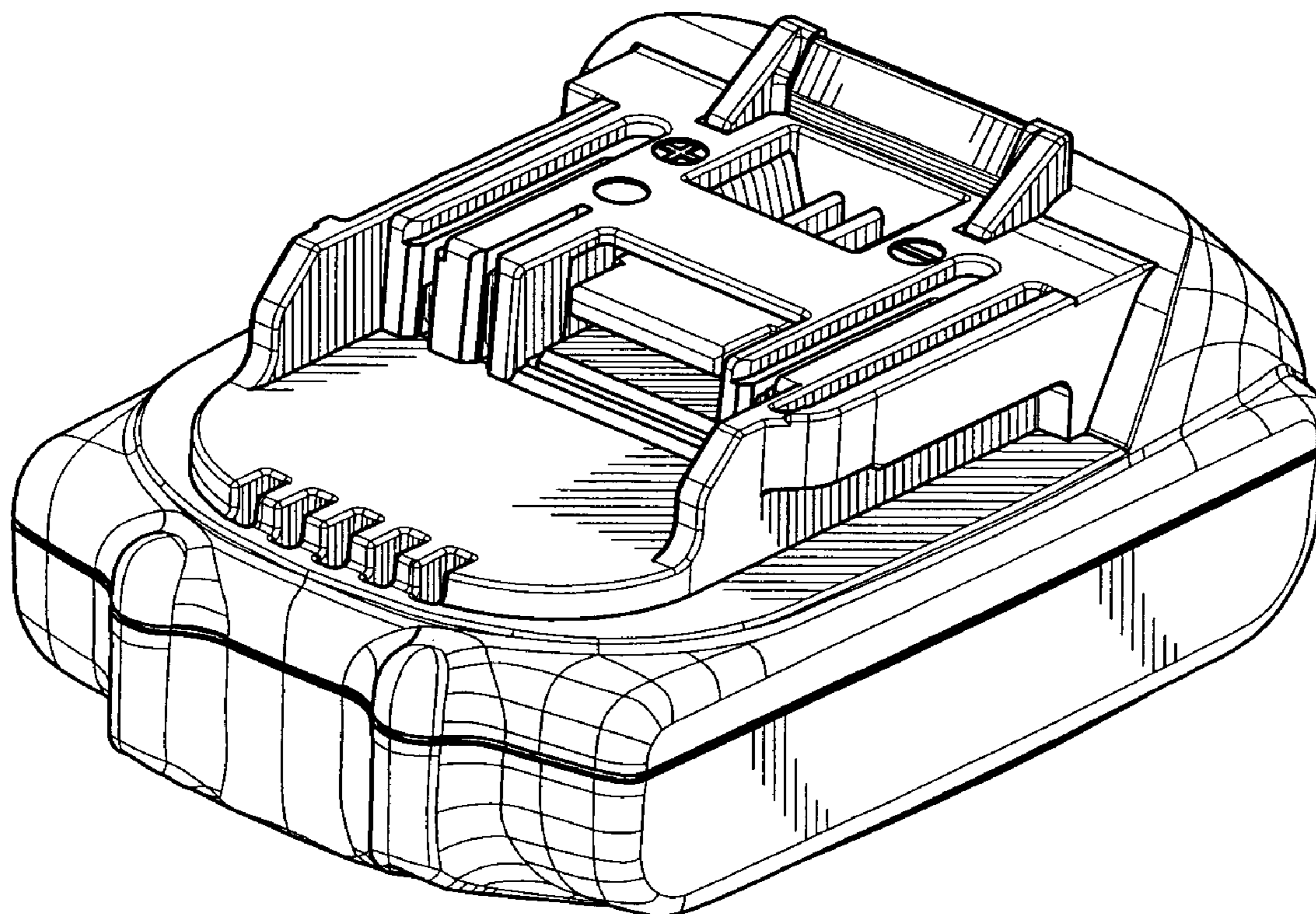
FIG. 4 is a left side elevation view thereof;

FIG. 5 is a right side elevation view thereof;

FIG. 6 is a top plan view thereof; and,

FIG. 7 is a bottom plan view thereof.

1 Claim, 4 Drawing Sheets



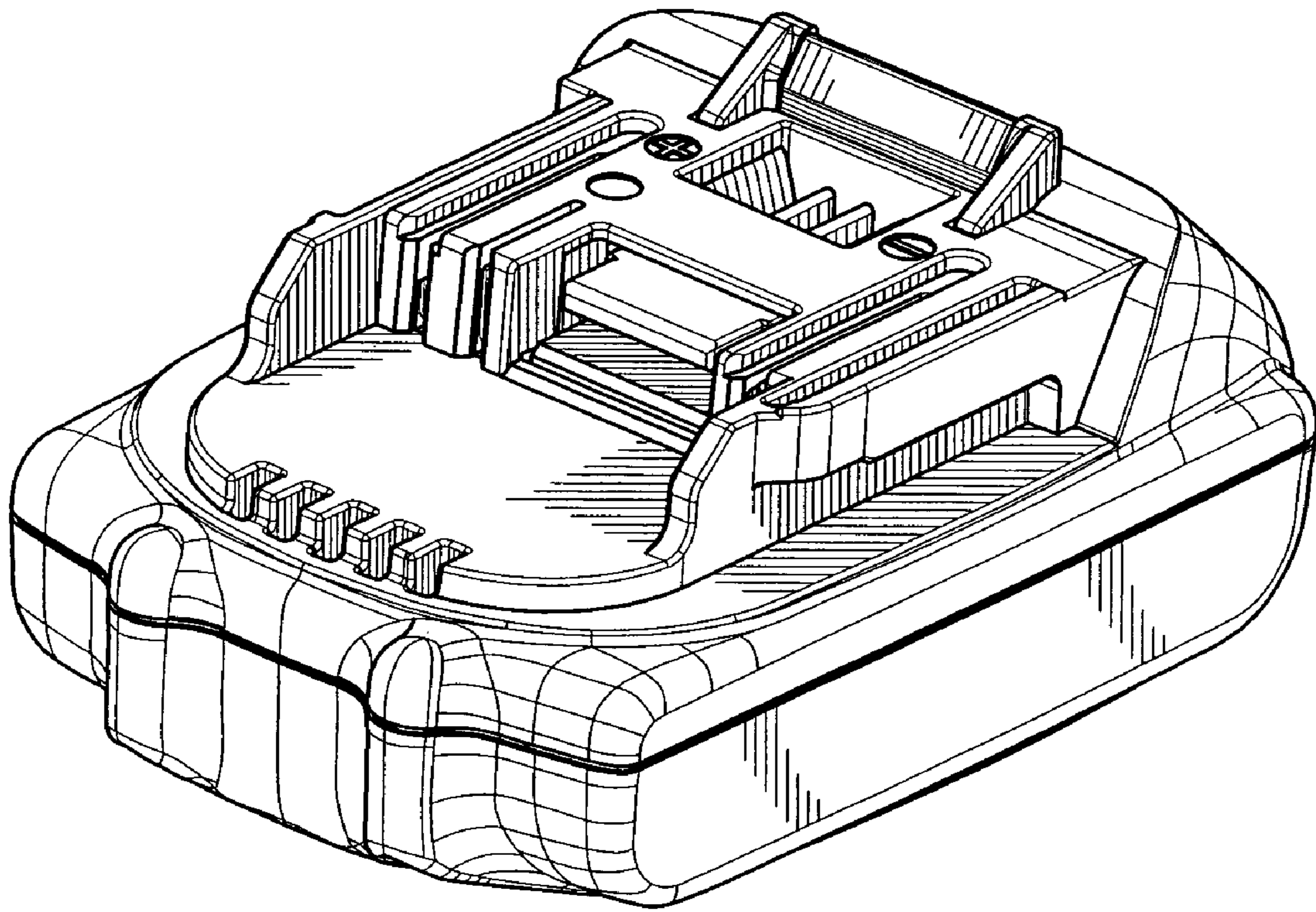


FIG. 1

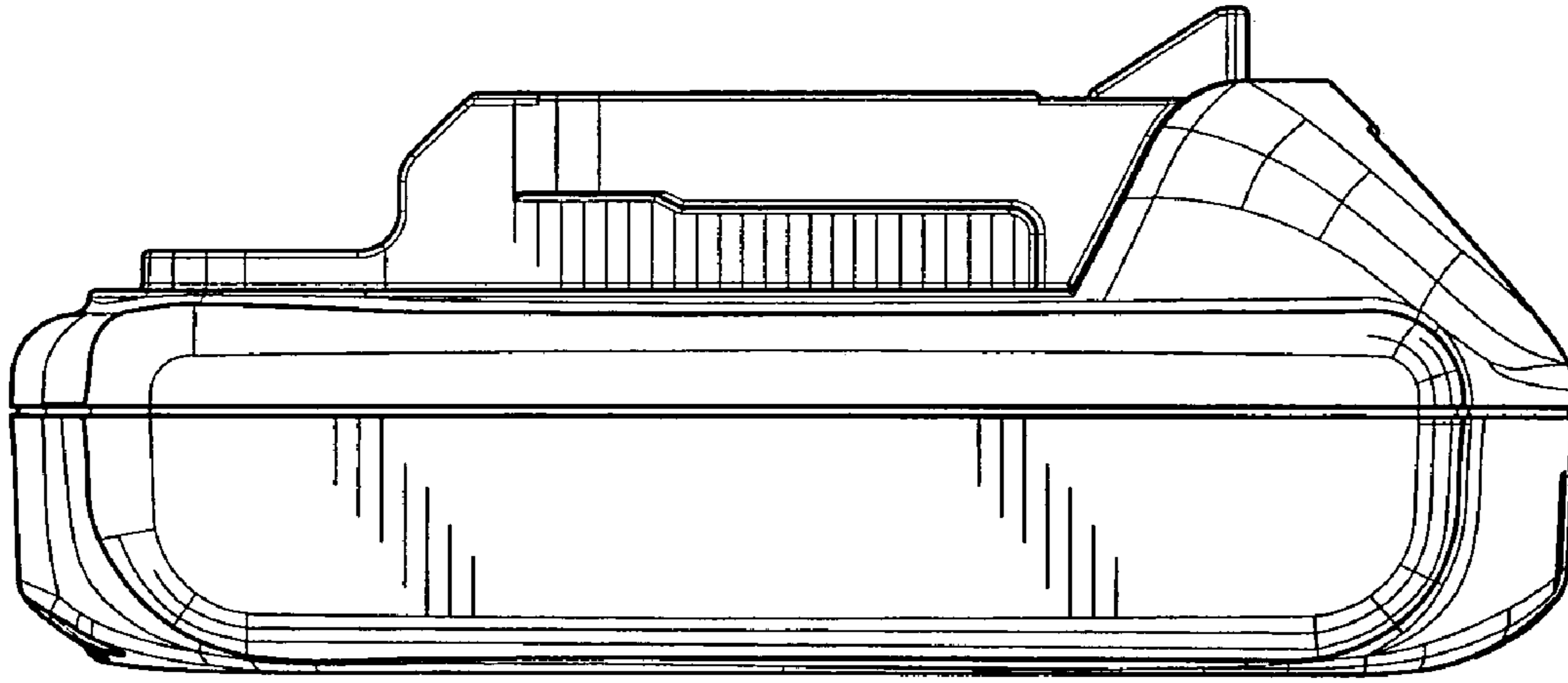


FIG. 2

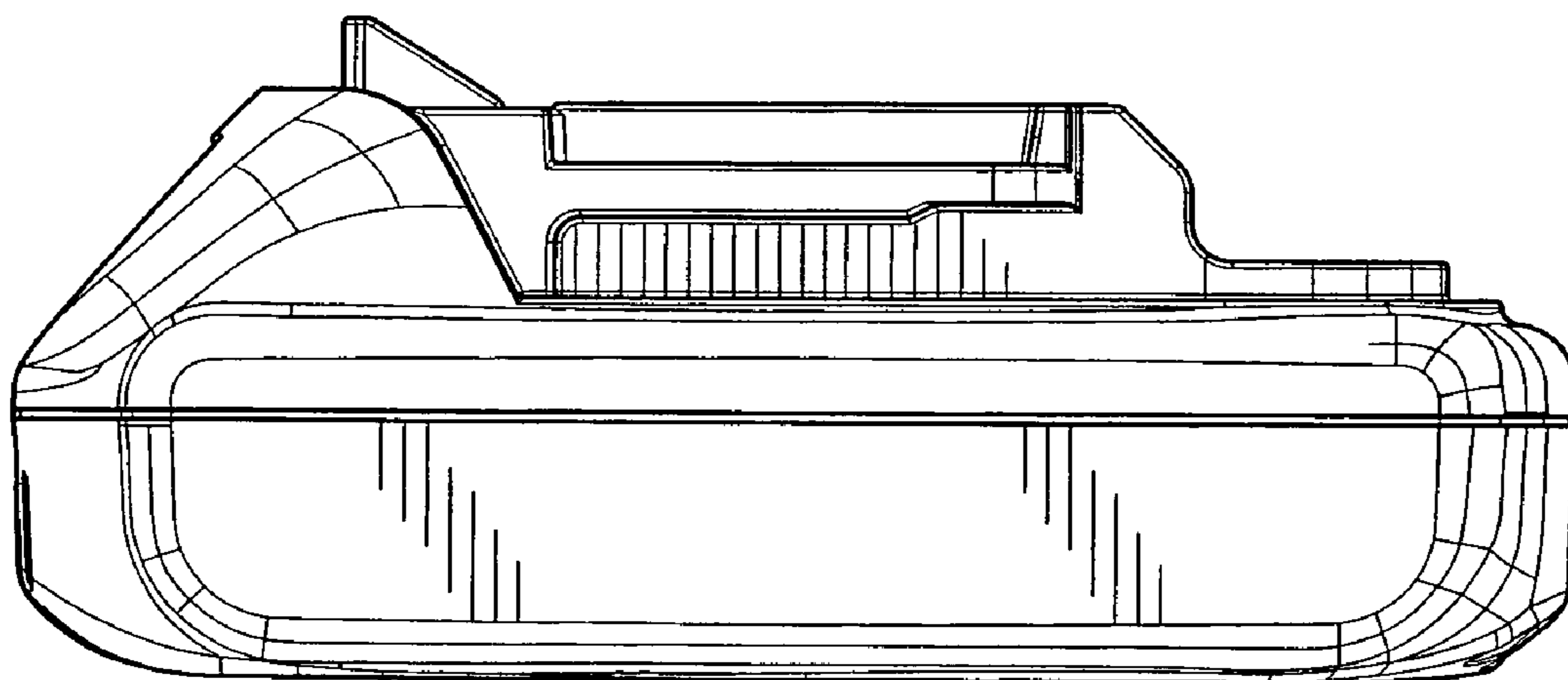


FIG. 3

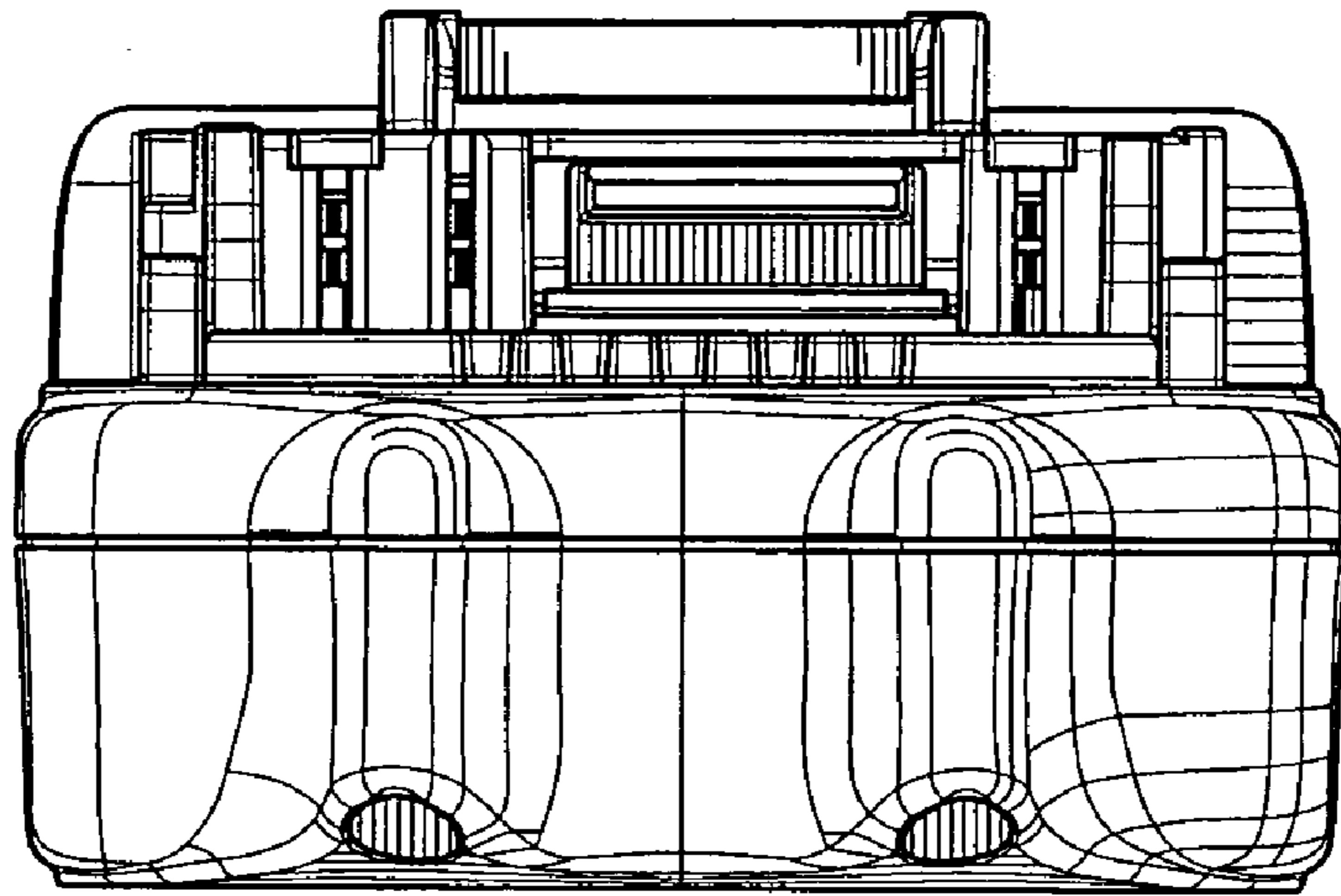


FIG. 4

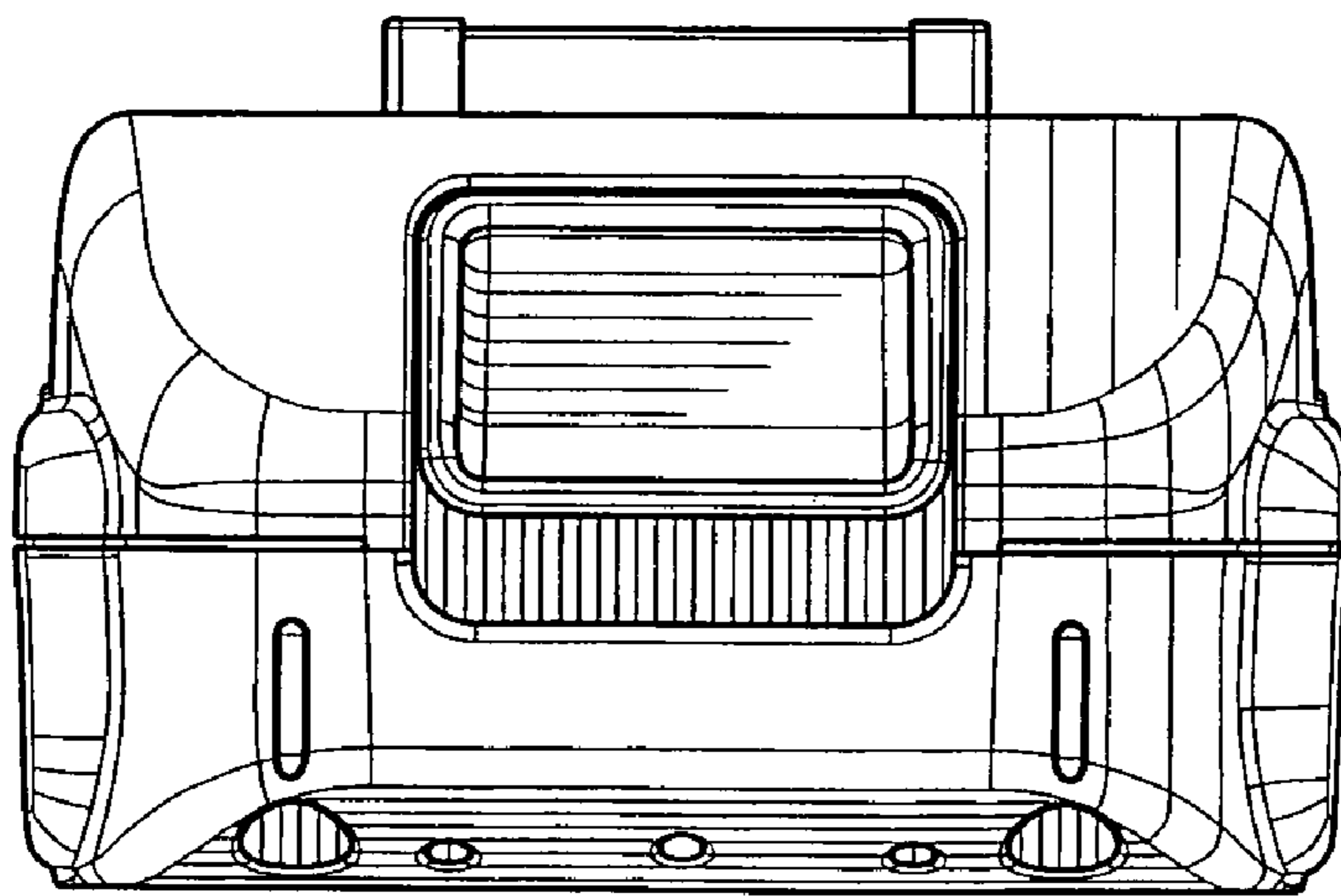


FIG. 5

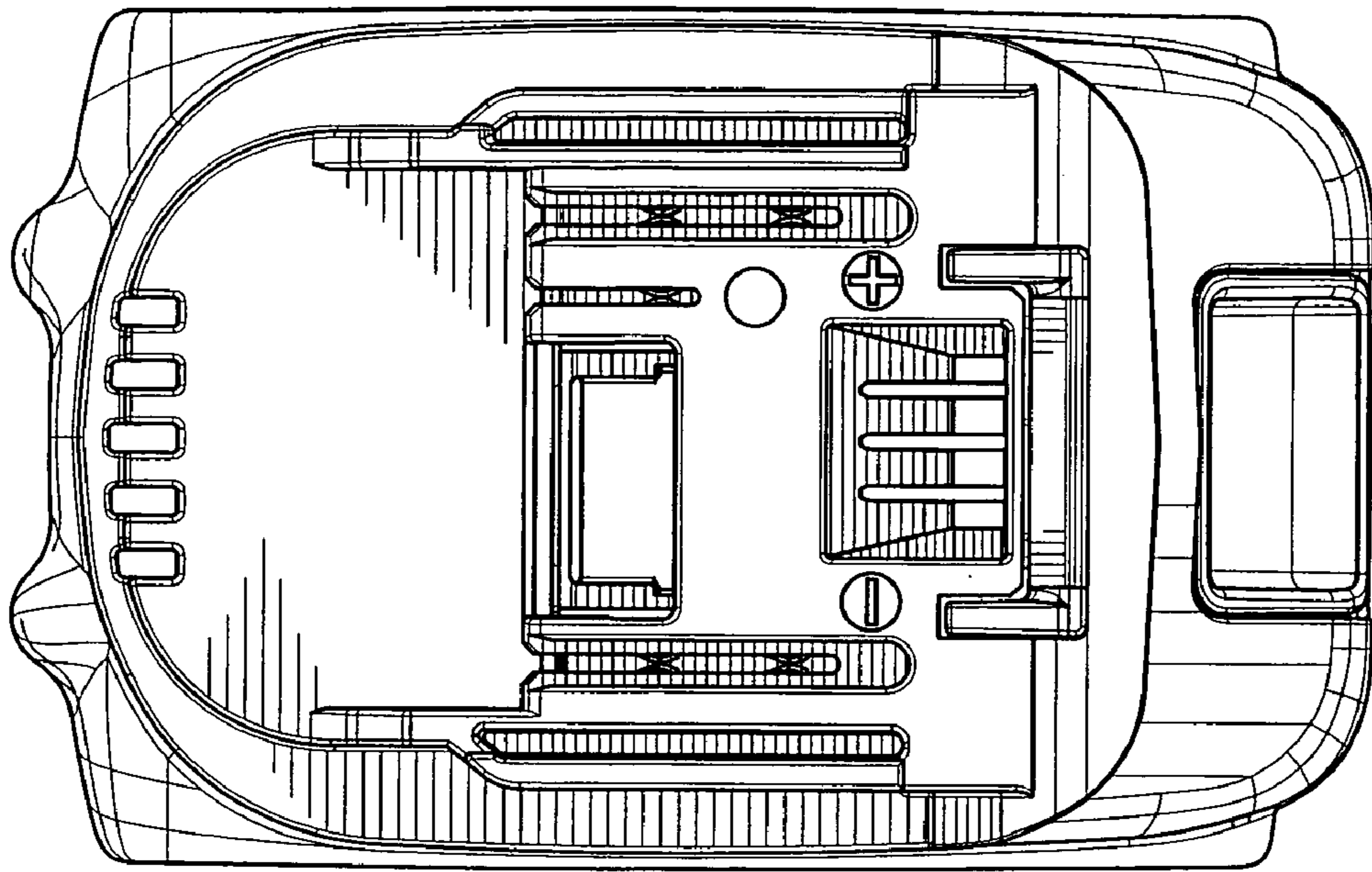


FIG. 6

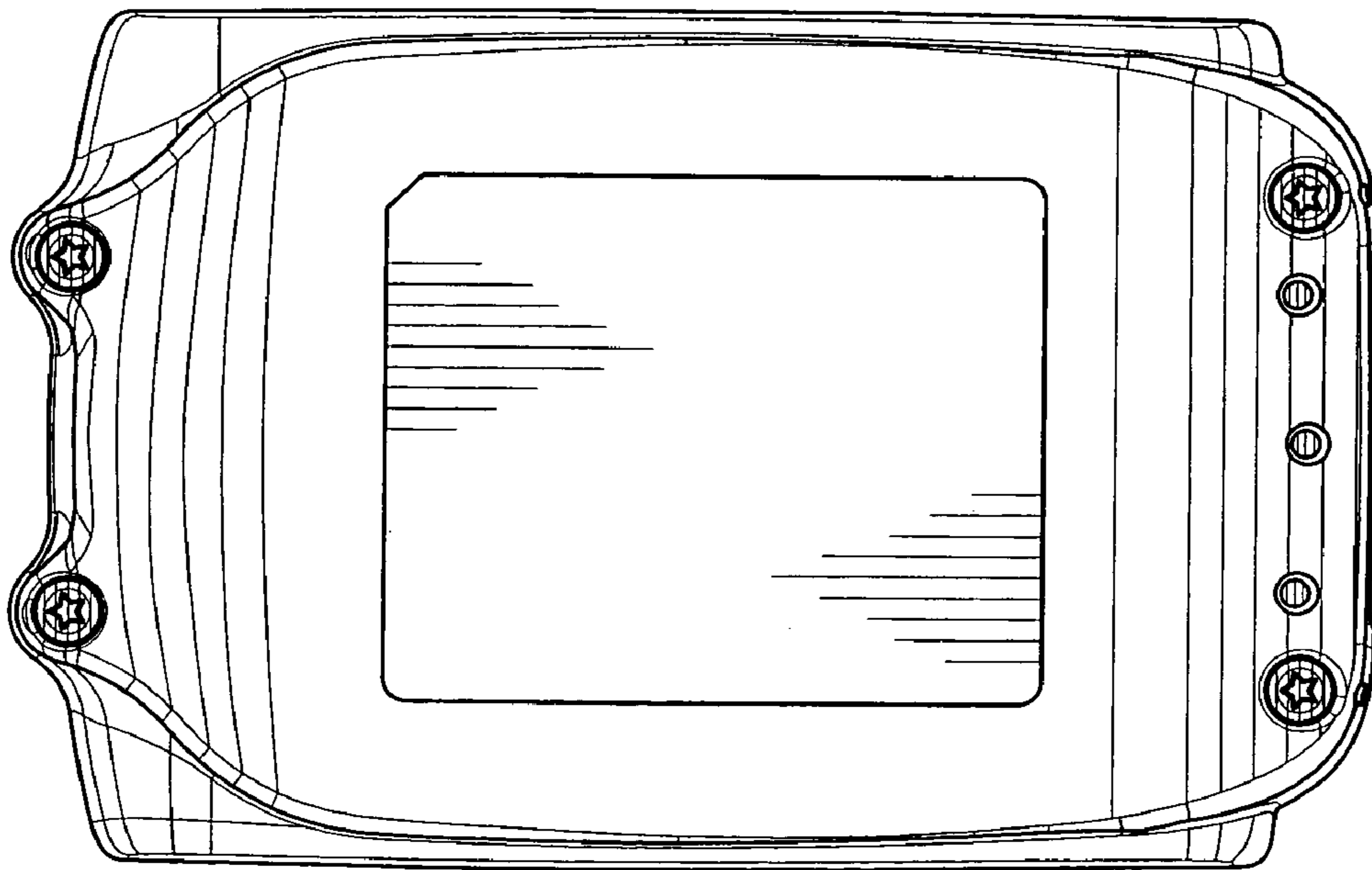


FIG. 7