



US00D550143S

(12) **United States Design Patent**  
**Anderson**

(10) **Patent No.:** **US D550,143 S**

(45) **Date of Patent:** **\*\* Sep. 4, 2007**

(54) **BOAT**

(76) **Inventor:** **Jordy M. Anderson**, 1073 Bahia Vista Ct., Sarasota, FL (US) 34232

(\*\*) **Term:** **14 Years**

(21) **Appl. No.:** **29/208,710**

(22) **Filed:** **Jul. 2, 2004**

(51) **LOC (8) Cl.** ..... **12-06**

(52) **U.S. Cl.** ..... **D12/300**

(58) **Field of Classification Search** ..... D12/300-318;  
441/35, 40, 41, 129, 130; 114/344  
See application file for complete search history.

6,223,677	B1	*	5/2001	Hall et al.	.....	114/345
6,260,505	B1	*	7/2001	Polidan	.....	114/361
6,394,014	B1		5/2002	Waldock		
6,484,661	B2		11/2002	Stewart		
6,520,107	B1		2/2003	Hickok		
6,532,889	B1		3/2003	Goad et al.		
6,609,475	B2		8/2003	Thomas et al.		
2002/0096101	A1	*	7/2002	Hansen	.....	114/345

\* cited by examiner

*Primary Examiner*—Holly Baynham

*Assistant Examiner*—Cynthia M. Chin

(74) *Attorney, Agent, or Firm*—Charles J. Prescott

(57) **CLAIM**

The ornamental design for a boat, as shown and described.

**DESCRIPTION**

FIG. 1 is a right frontal upper perspective view of the invention;

FIG. 2 is a right rear upper perspective view of FIG. 1;

FIG. 3 is a right frontal lower perspective view of FIG. 1;

FIG. 4 is a top plan view of FIG. 1;

FIG. 5 is a right side view of FIG. 1, the left side view a mirror image;

FIG. 6 is a front elevation view of FIG. 1; and,

FIG. 7 is a bottom plan view of FIG. 1.

**1 Claim, 7 Drawing Sheets**

(56)

**References Cited**

U.S. PATENT DOCUMENTS

3,871,043	A	3/1975	Davidson et al.		
4,917,037	A	4/1990	Hargett, Sr.		
5,086,725	A	2/1992	Garrett et al.		
5,355,828	A	*	10/1994	Pepper	..... 114/355
5,540,169	A	*	7/1996	Davis et al.	..... 114/61.1
5,546,886	A		8/1996	Franceschelli et al.	
5,651,328	A		7/1997	Elkington	
5,870,965	A		2/1999	Hansen	
D409,972	S	*	5/1999	Todd	..... D12/318
6,012,410	A	*	1/2000	Monlezun et al.	..... 114/345
6,145,466	A		11/2000	Herbein et al.	

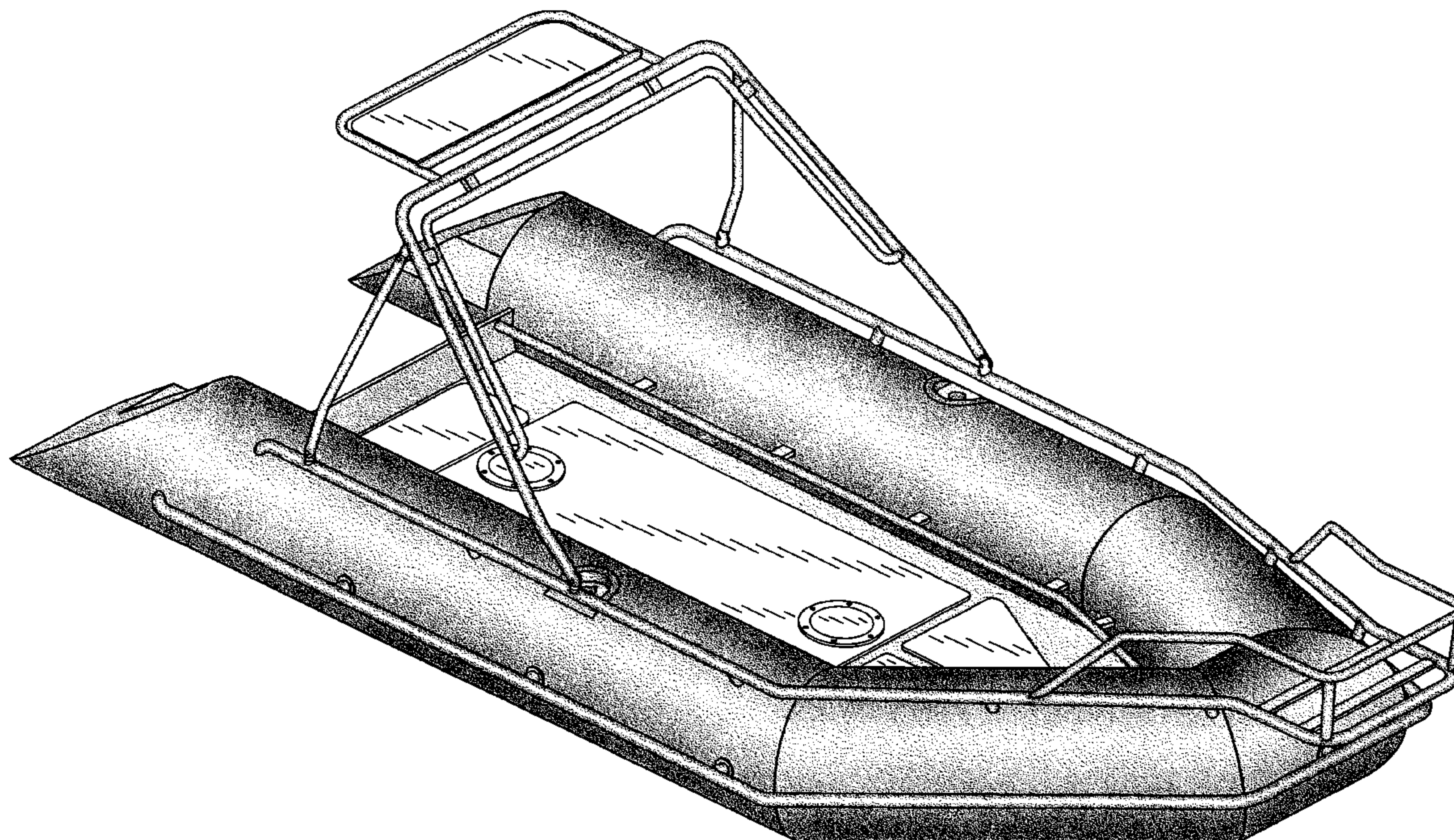
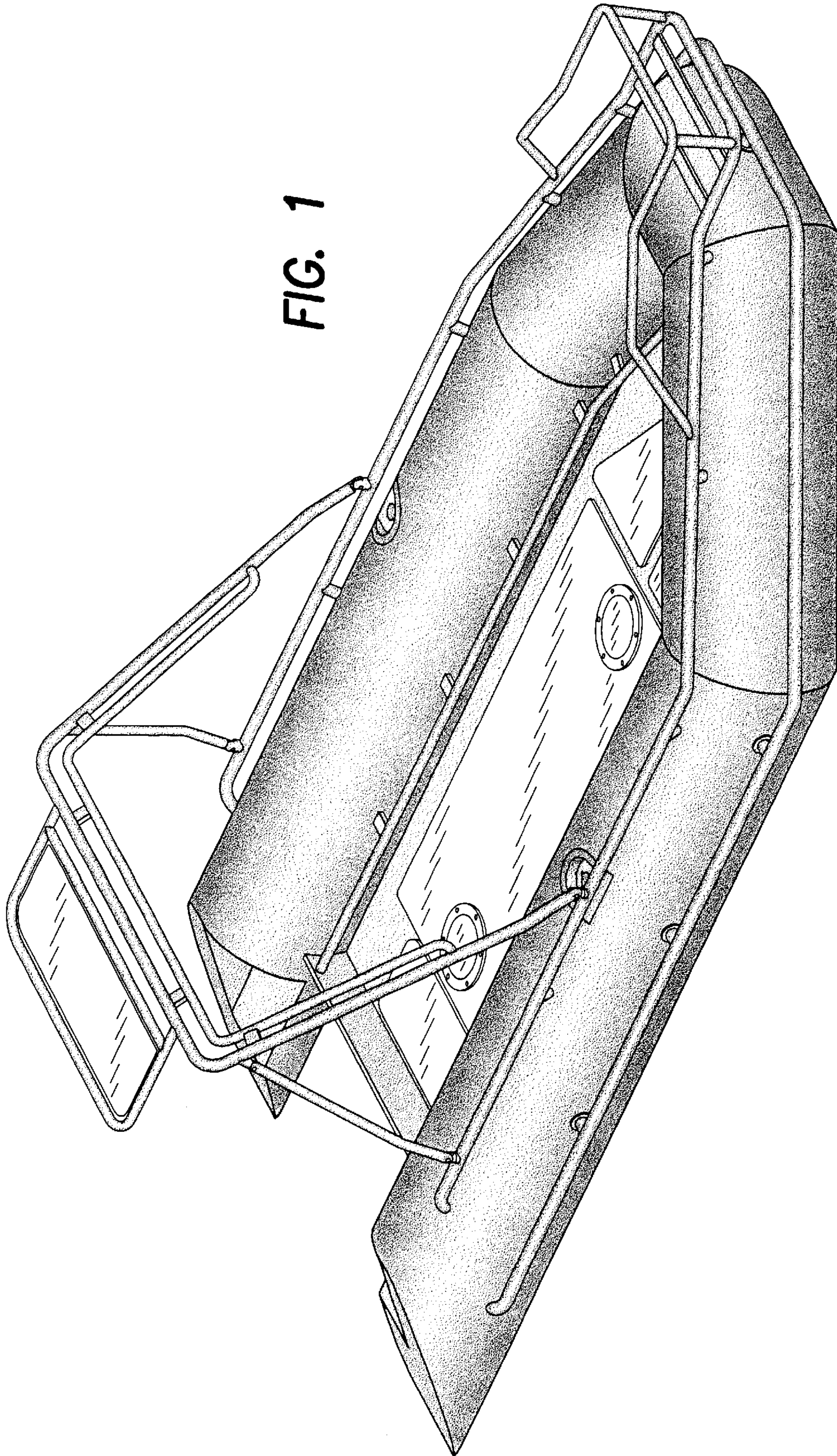


FIG. 1



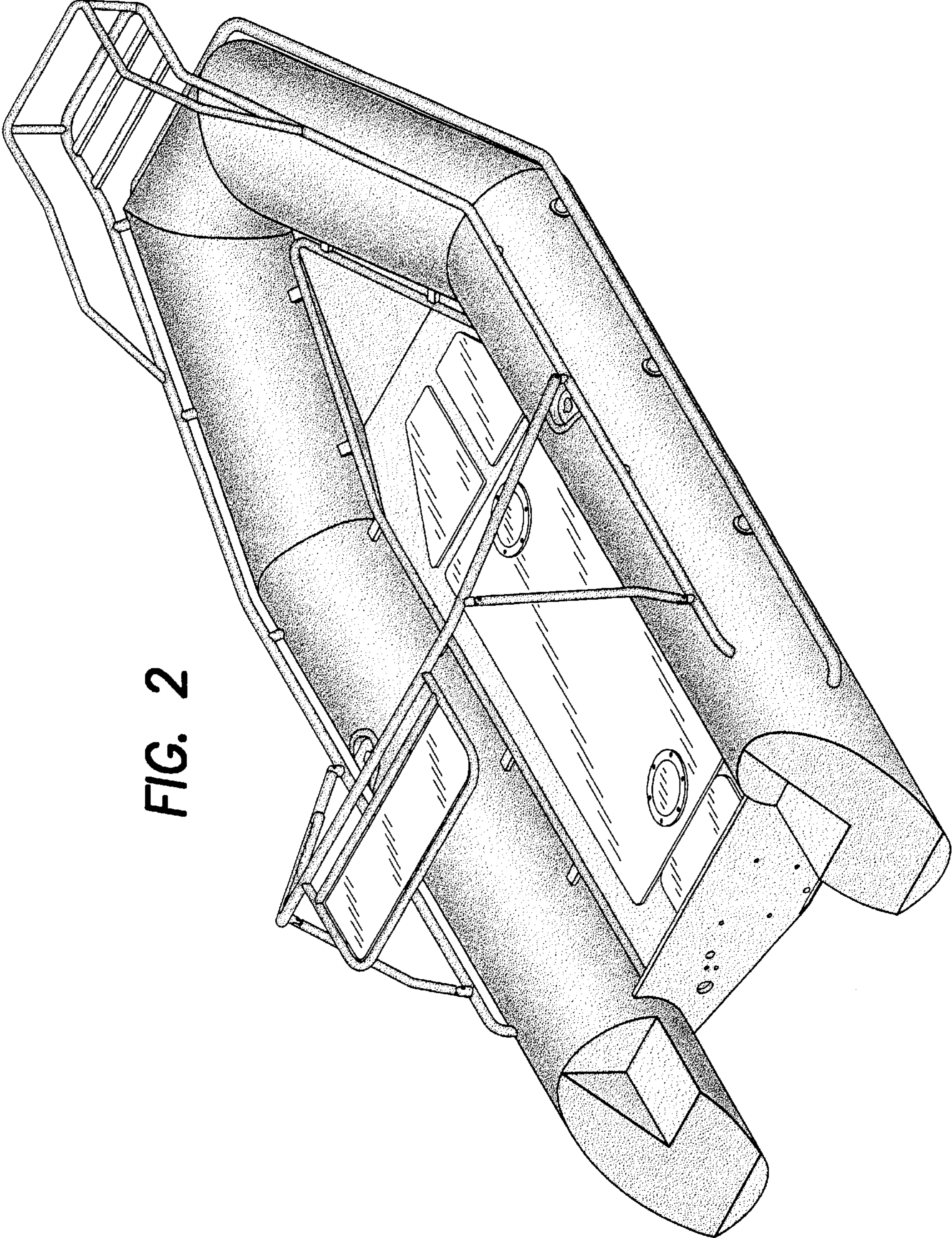


FIG. 2

FIG. 3

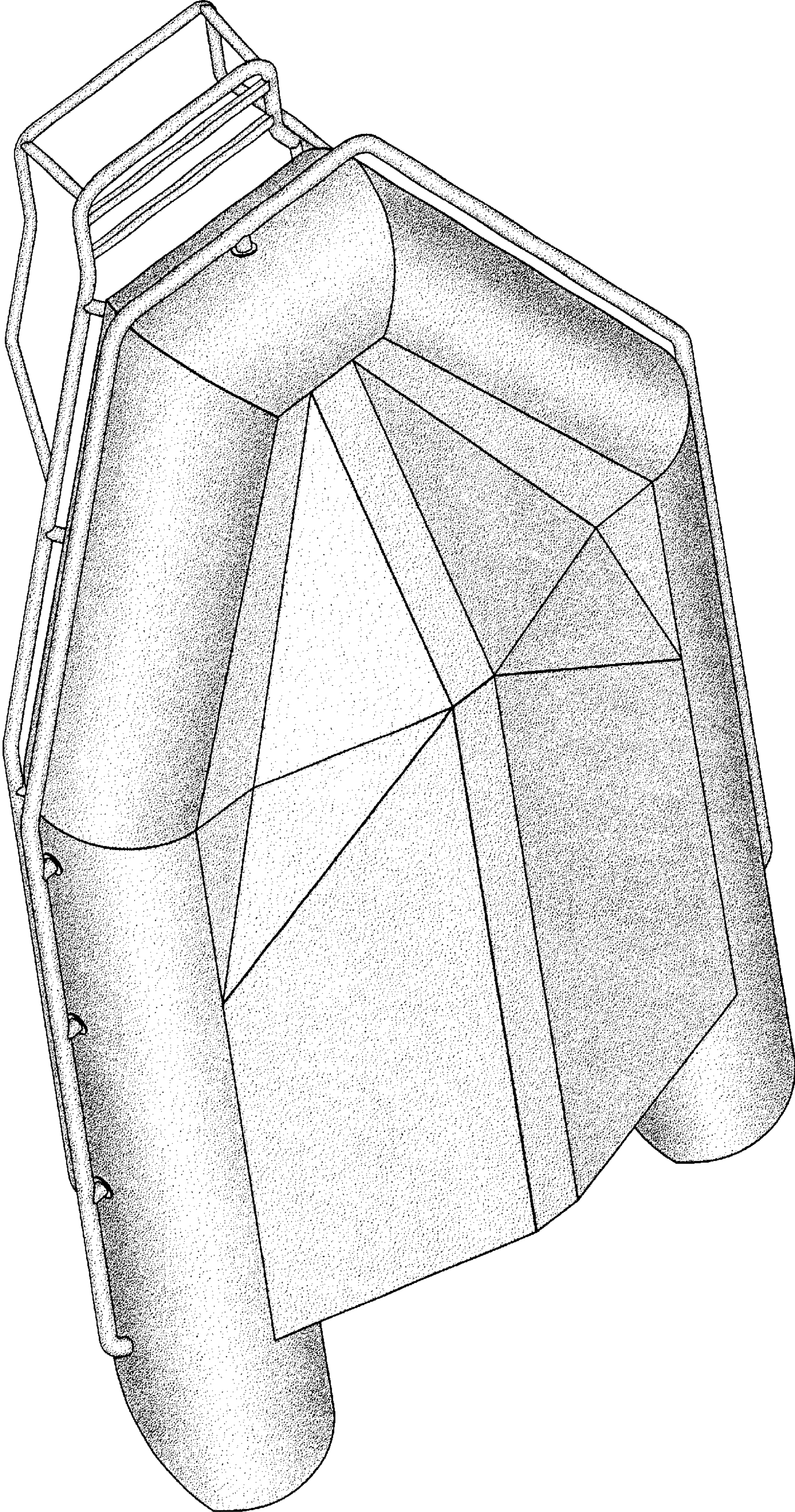


FIG. 4

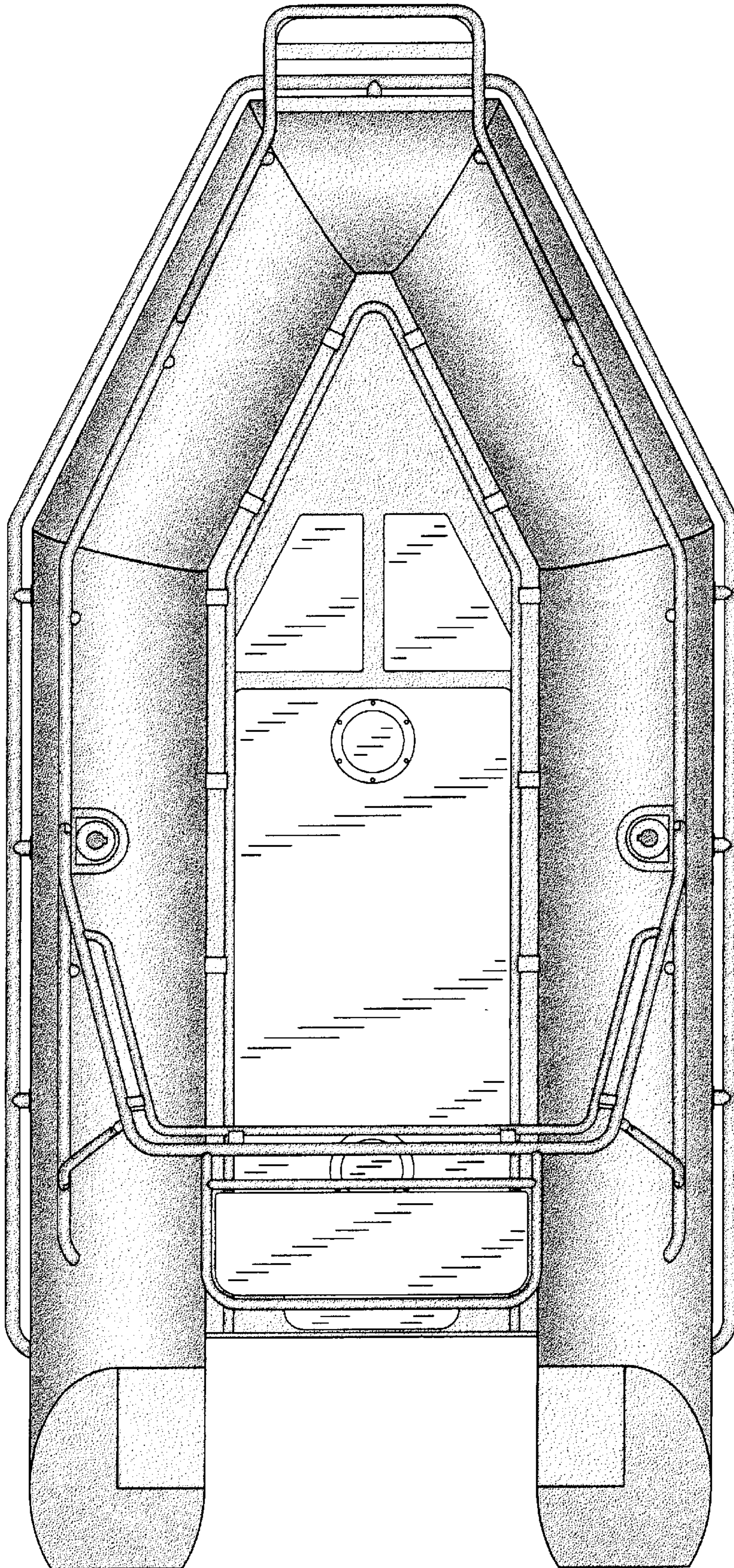
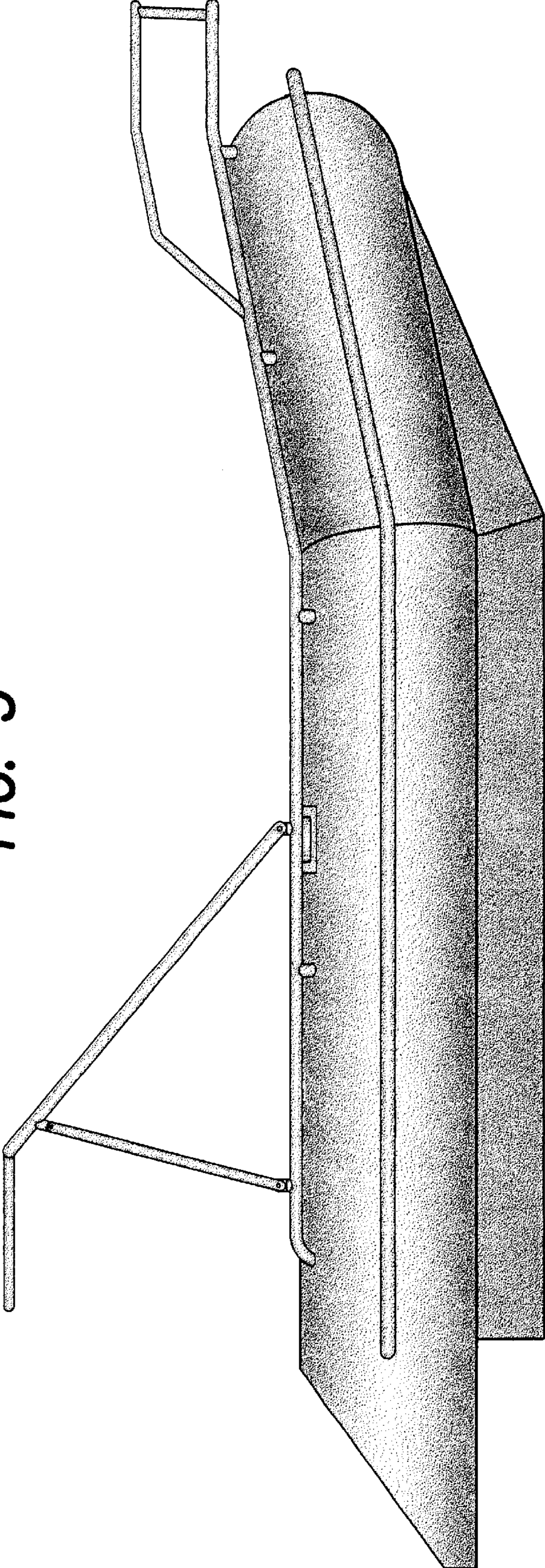


FIG. 5



**FIG. 6**

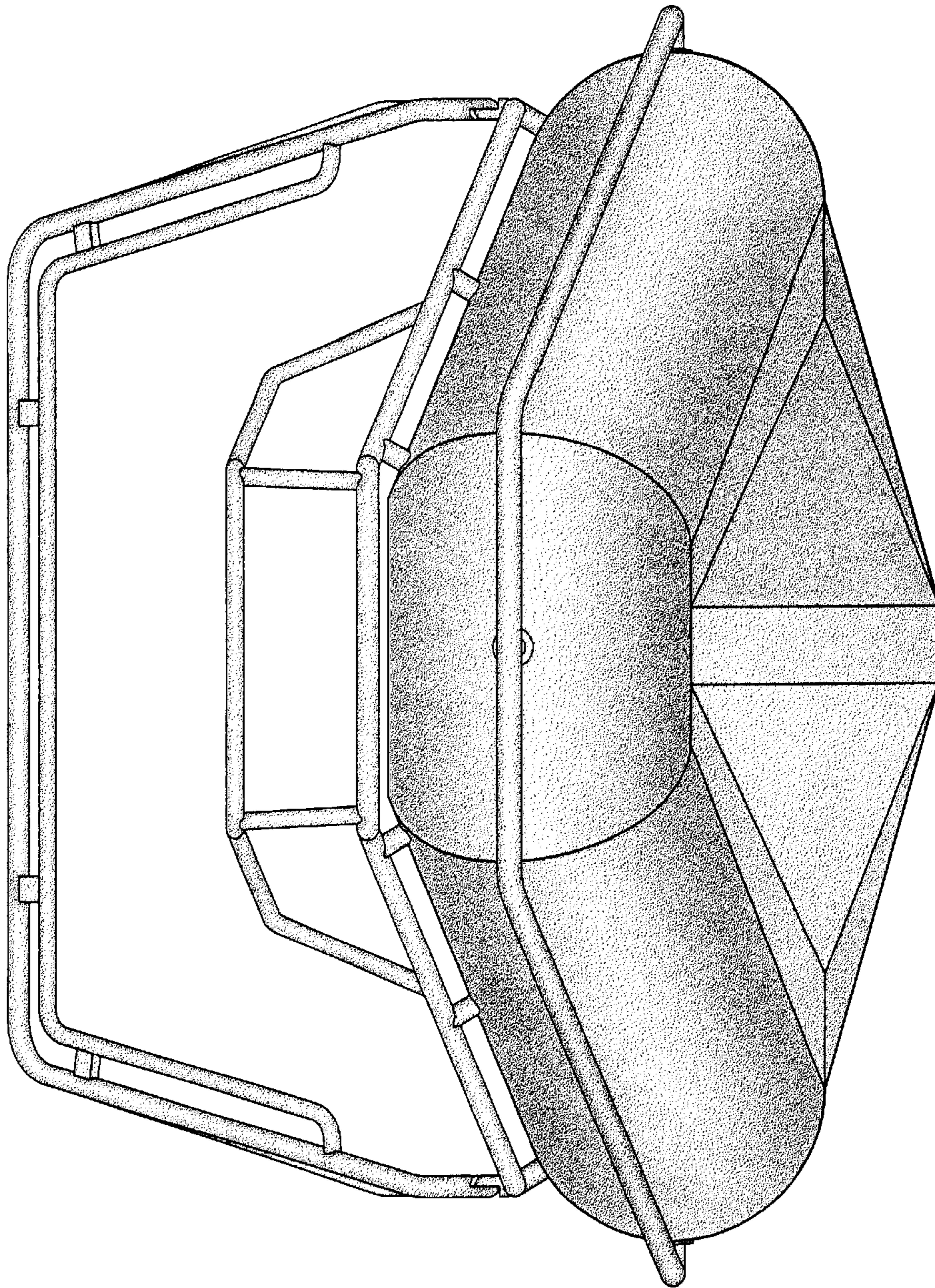


FIG. 7

