



US00D550134S

(12) **United States Design Patent**
Akrapovic

(10) **Patent No.:** **US D550,134 S**

(45) **Date of Patent:** **** Sep. 4, 2007**

(54) **NOISE SUPPRESSOR FOR A VEHICLE**

(75) **Inventor:** **Igor Akrapovic**, Rozna dolina c.
VIII/10A, Ljubljana (SI) 1000

(73) **Assignee:** **Igor Akrapovic (SI)**

(**) **Term:** **14 Years**

(21) **Appl. No.:** **29/251,259**

(22) **Filed:** **Jan. 5, 2006**

(30) **Foreign Application Priority Data**

Jul. 8, 2005 (SI) M-200550034

(51) **LOC (8) Cl.** **12-16**

(52) **U.S. Cl.** **D12/194**

(58) **Field of Classification Search** D12/100,
D12/194, 400; 181/227, 228, 239, 247-249,
181/264, 277-280, 282; D15/5; 60/313,
60/323; 29/890.08; 138/37-39, 44, 103,
138/109

See application file for complete search history.

(56) **References Cited**

U.S. PATENT DOCUMENTS

- 3,453,824 A * 7/1969 Biesecker 60/313
- D266,167 S * 9/1982 Lindbrandt D15/5
- D266,168 S * 9/1982 Lindbrandt D15/5
- D278,326 S * 4/1985 Equi D12/194
- D299,917 S * 2/1989 Lessel D12/194
- D414,452 S * 9/1999 Verlengiere D12/194
- D435,498 S * 12/2000 Bassani D12/194
- D454,320 S * 3/2002 Martin D12/194
- D460,726 S * 7/2002 Campbell et al. D12/194

- D481,662 S * 11/2003 James D12/194
- D483,710 S * 12/2003 James D12/194
- D501,812 S * 2/2005 Ramelot D12/194
- D520,423 S * 5/2006 Poole D12/194
- D520,424 S * 5/2006 Hawkins D12/194
- D520,925 S * 5/2006 Savage et al. D12/194

* cited by examiner

Primary Examiner—Doris Clark

Assistant Examiner—Michael A. Pratt

(74) *Attorney, Agent, or Firm*—William P. Oberhardt

(57) **CLAIM**

The ornamental design for noise suppressor for a vehicle, as shown and described.

DESCRIPTION

FIG. 1 is a perspective view of the noise suppressor for a vehicle;

FIG. 2 is a top view the noise suppressor for a vehicle of FIG. 1;

FIG. 3 is a left-side view of the noise suppressor for a vehicle of FIG. 1;

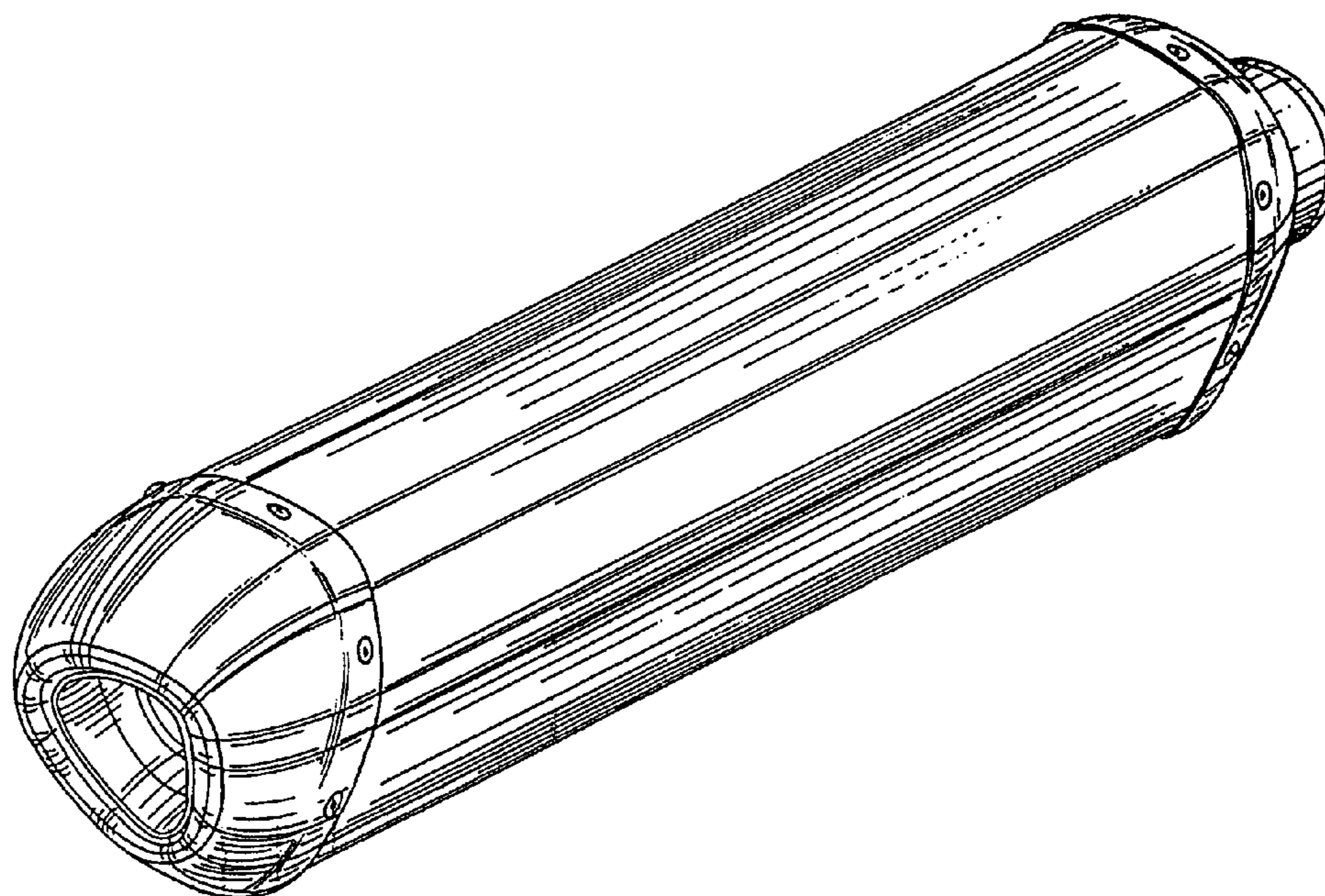
FIG. 4 is a front view of the noise suppressor for a vehicle of FIG. 1;

FIG. 5 is a rear view of the noise suppressor for a vehicle of FIG. 1;

FIG. 6 is a right-side view of the noise suppressor for a vehicle of FIG. 1; and,

FIG. 7 is a bottom view of the noise suppressor for a vehicle of FIG. 1.

1 Claim, 3 Drawing Sheets



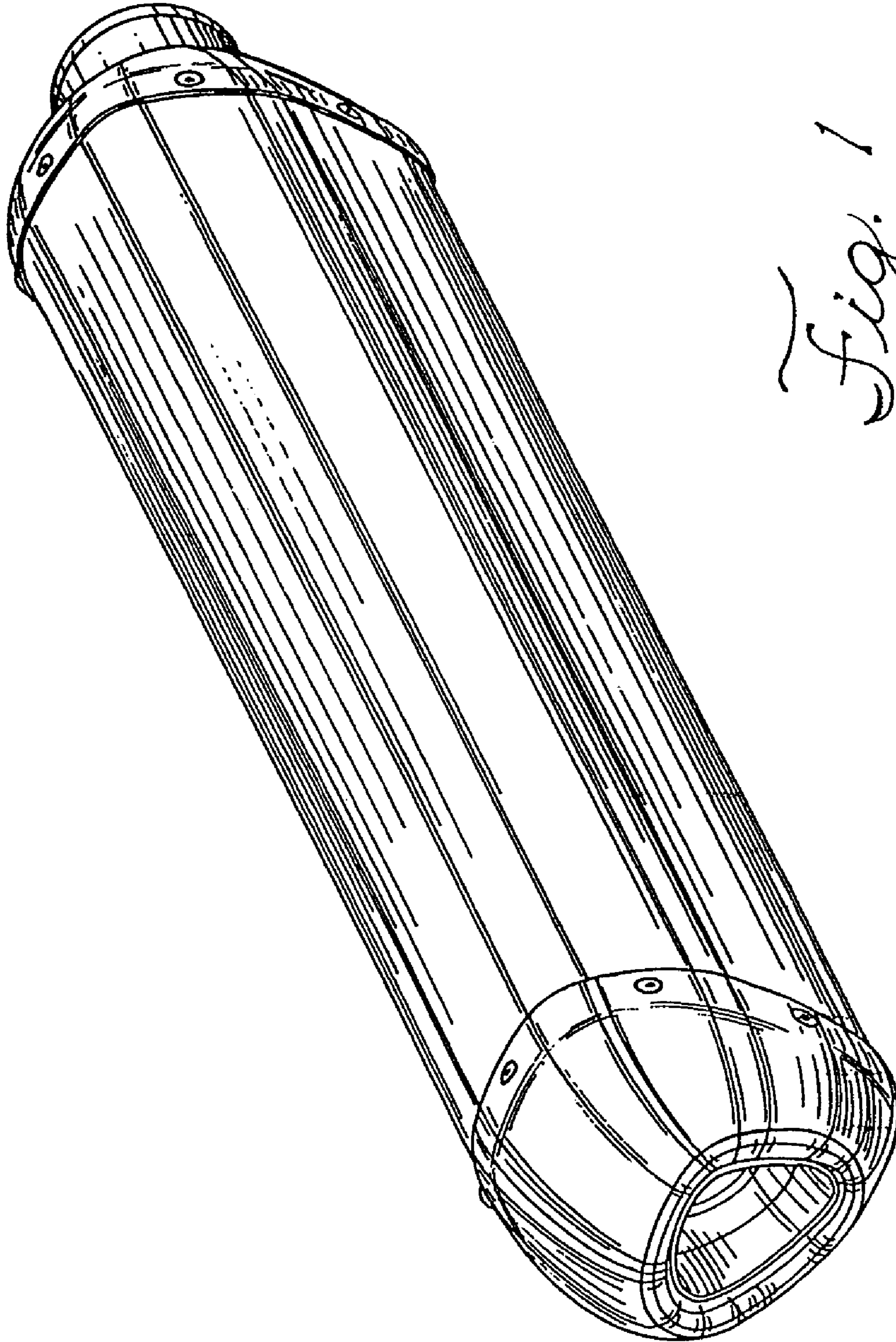


Fig. 1

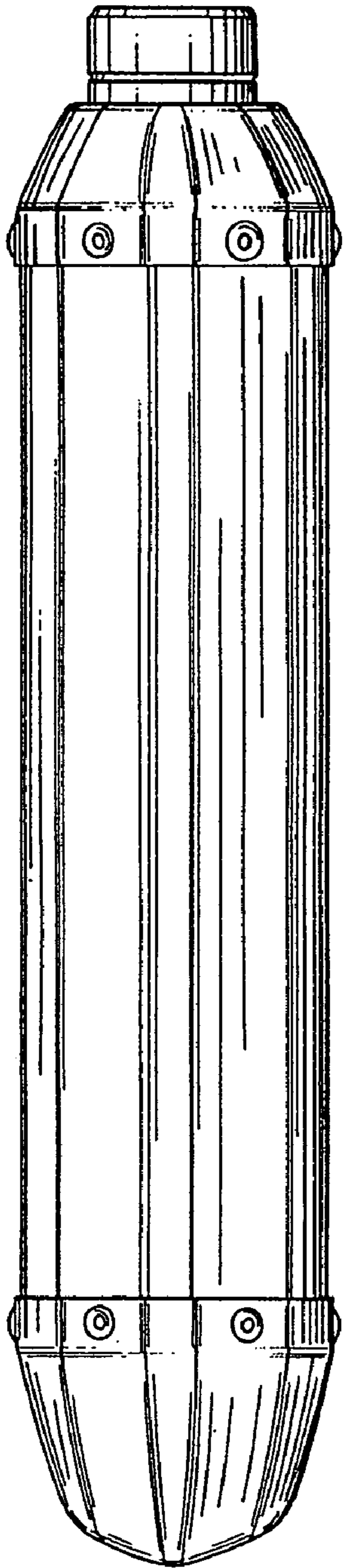


Fig. 2

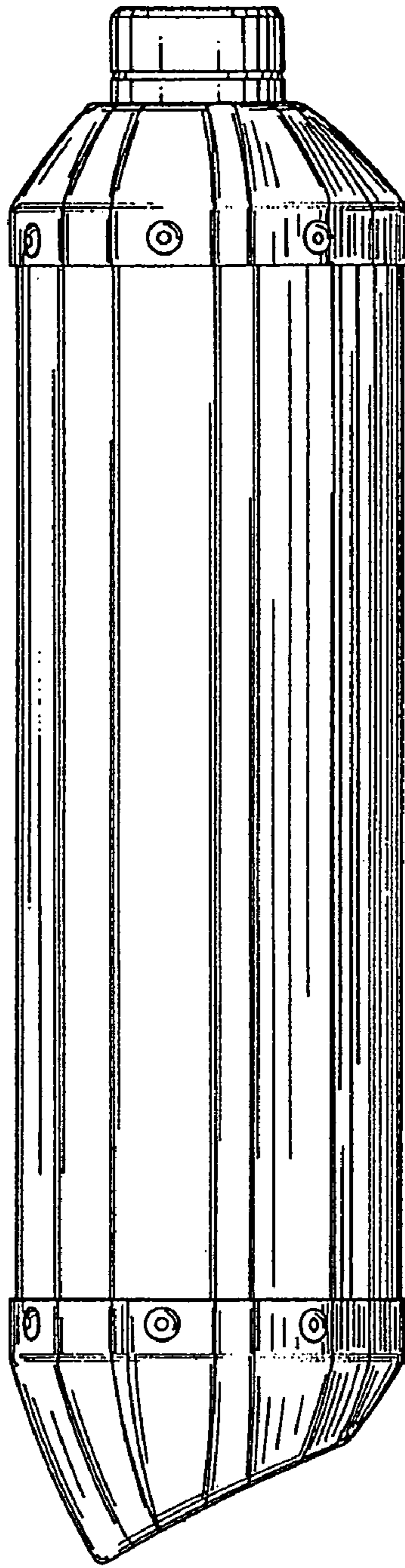


Fig. 4

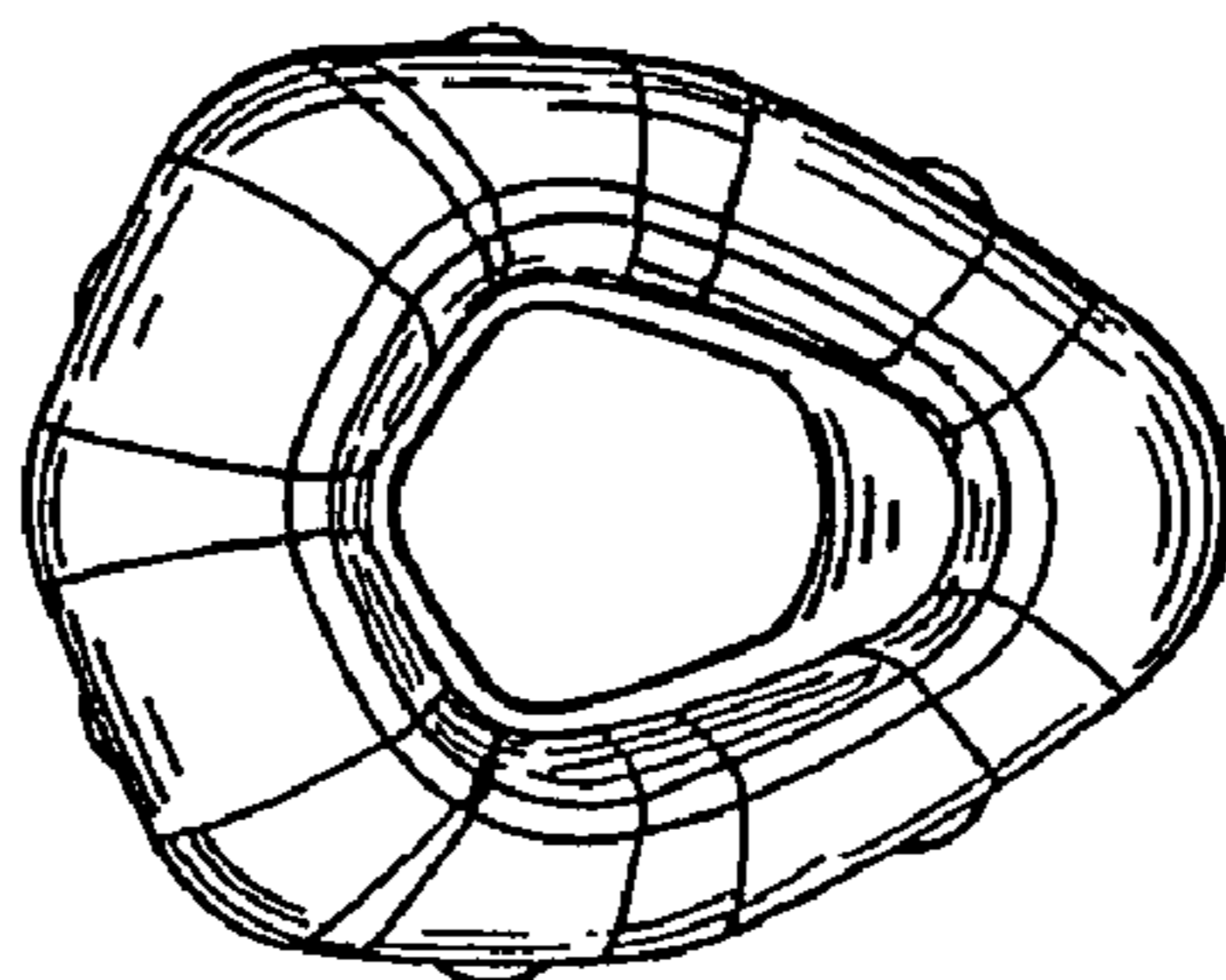


Fig. 3

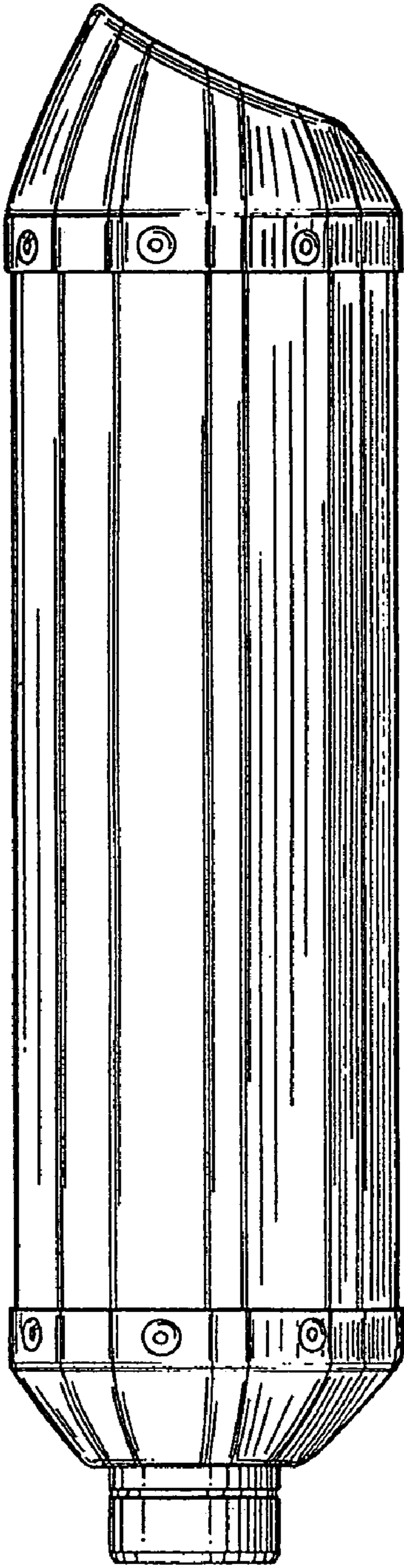


Fig. 5

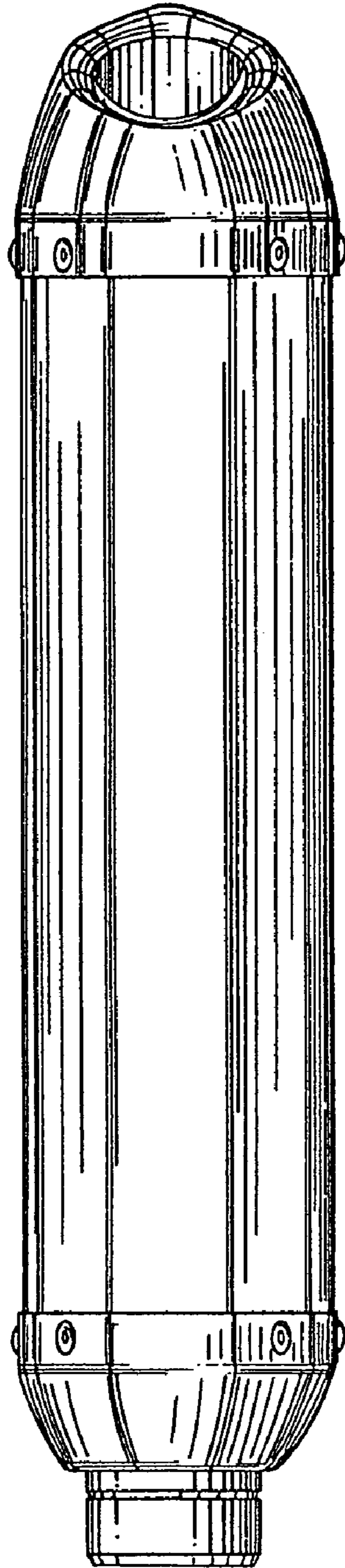


Fig. 7

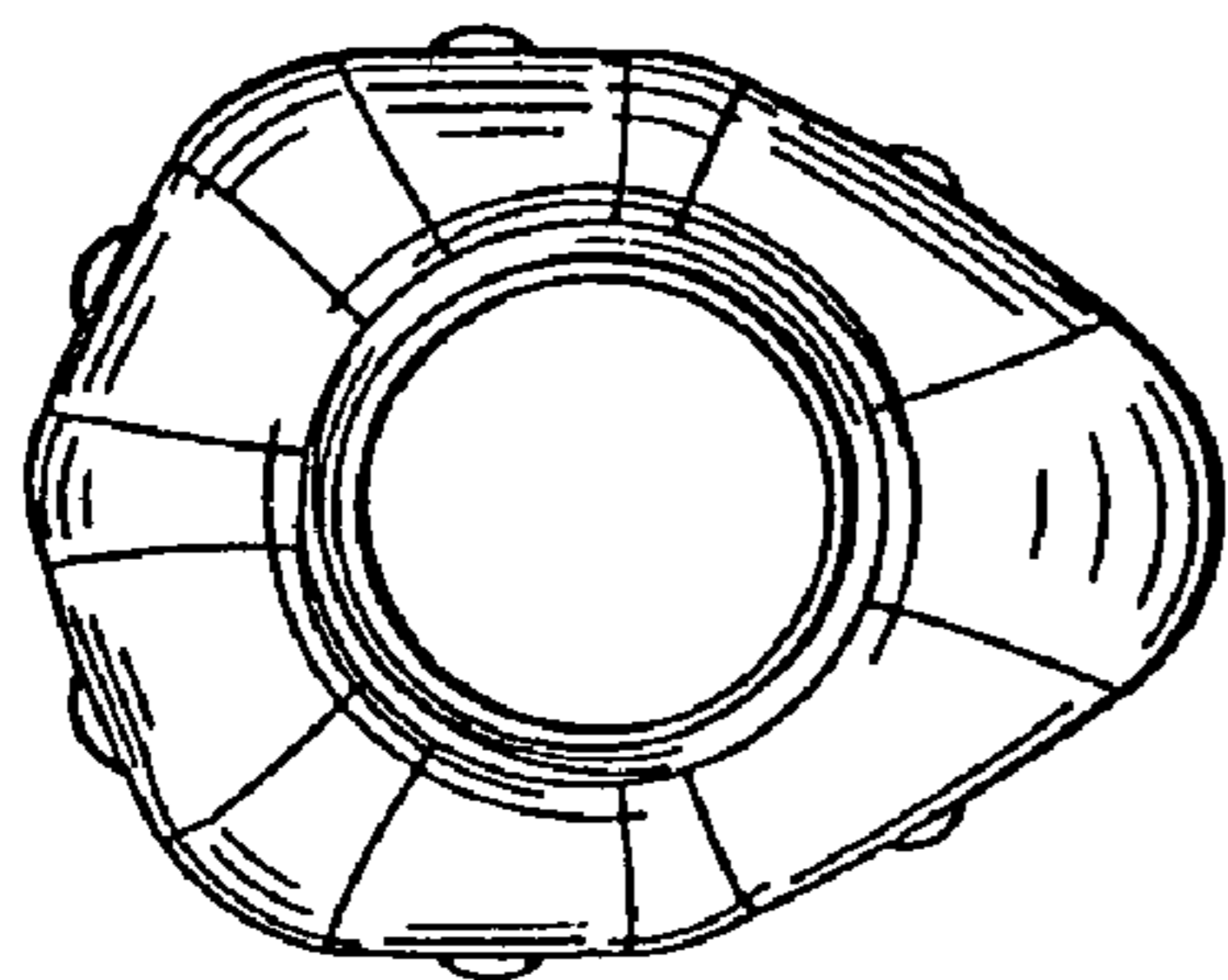


Fig. 6