



US00D550133S

(12) **United States Design Patent** (10) **Patent No.:** **US D550,133 S**
Lamarre (45) **Date of Patent:** **** Sep. 4, 2007**

(54) **VEHICLE FRONT FENDER**

(74) *Attorney, Agent, or Firm*—Damian Porcari

(75) **Inventor:** **Simon Lamarre**, Vostra Frvlunda (SE)

(57) **CLAIM**

(73) **Assignee:** **Ford Global Technologies, LLC**,
Dearborn, MI (US)

The ornamental design for a vehicle front fender, as shown and described.

(**) **Term:** **14 Years**

DESCRIPTION

(21) **Appl. No.:** **29/247,070**

FIG. 1 is a front perspective view of a left vehicle front fender, the right being a mirror of the left and is not illustrated;

(22) **Filed:** **May 26, 2006**

FIG. 2 is a left side elevational view of the vehicle front fender;

(30) **Foreign Application Priority Data**

Nov. 29, 2005 (EM) 000440052-0001

FIG. 3 is a front elevational view of the vehicle front fender;

(51) **LOC (8) Cl.** **12-16**

(52) **U.S. Cl.** **D12/184**

(58) **Field of Classification Search** D12/173,
D12/96, 97, 184; 180/69.2, 89.12, 89.13,
180/89.67, 89.7; 296/184.1

FIG. 4 is a top plan view of the vehicle front fender;

FIG. 5 of a perspective view of the interior surface of the vehicle front fender;

See application file for complete search history.

FIG. 6 is a right side elevational view of the interior surface of the vehicle front fender;

(56) **References Cited**

U.S. PATENT DOCUMENTS

D502,131 S *	2/2005	Otto et al.	D12/184
D507,514 S *	7/2005	Nagura et al.	D12/184
D509,778 S *	9/2005	Minami	D12/184
D526,257 S *	8/2006	Konaka	D12/184
D536,648 S *	2/2007	Fujimaki	D12/184

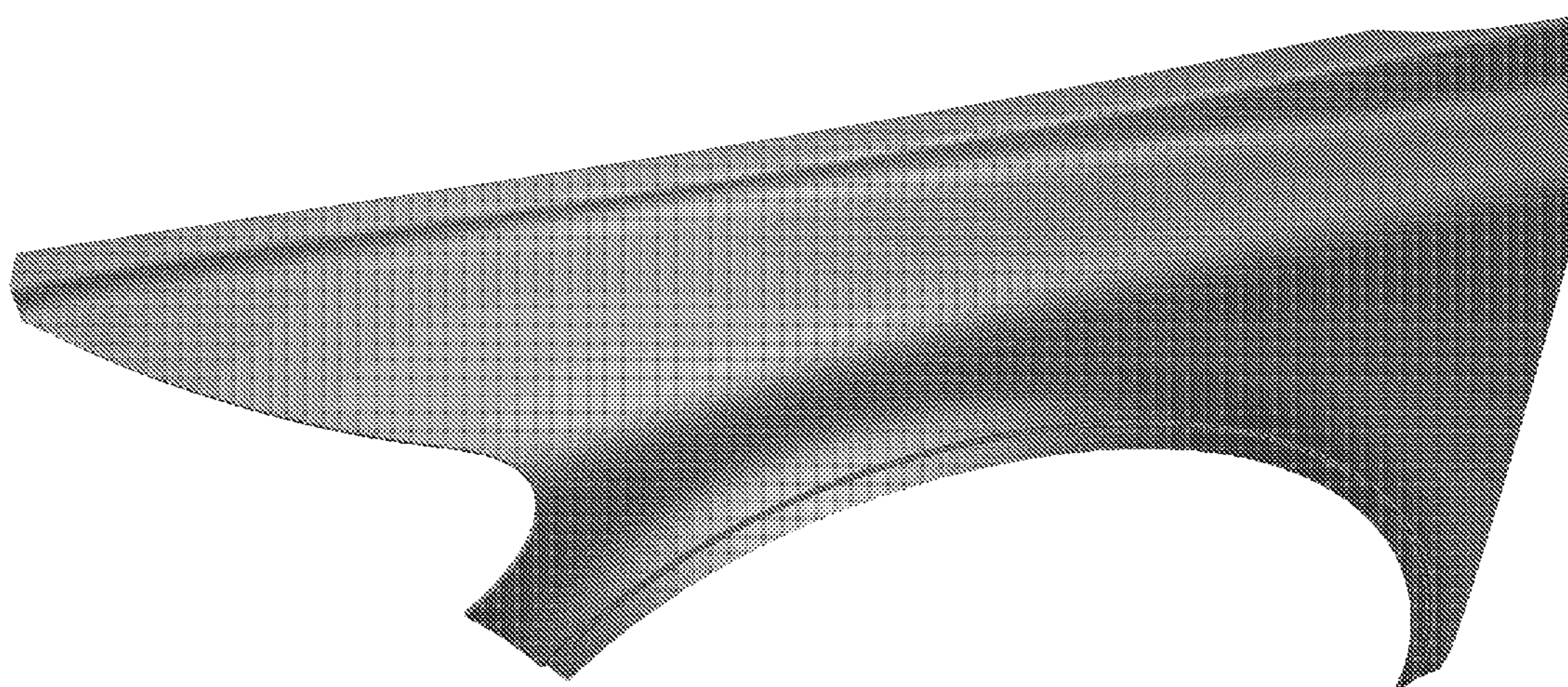
FIG. 7 is bottom plan view of the vehicle front fender; and,
FIG. 8 is a rear elevational view of the vehicle front fender.

* cited by examiner

The vehicle front fender is designed to blend with surfaces of adjacent vehicle panels. To the extent that any feature lines are illustrated, they are intended to illustrate the crest and valley of the feature and are not necessarily sharp bends in the part. Shading is used to illustrate the curvature of the part and not color.

Primary Examiner—Melody N. Brown

1 Claim, 8 Drawing Sheets



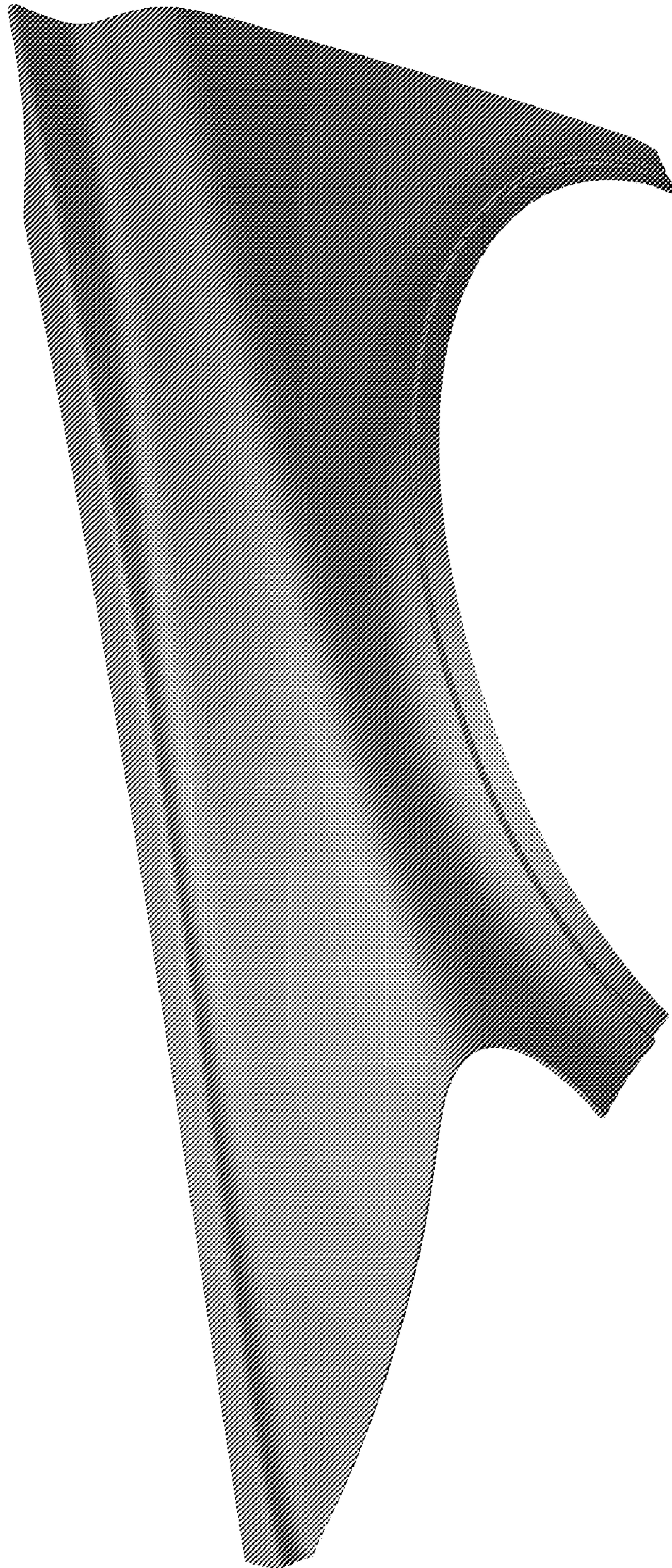


Figure 1

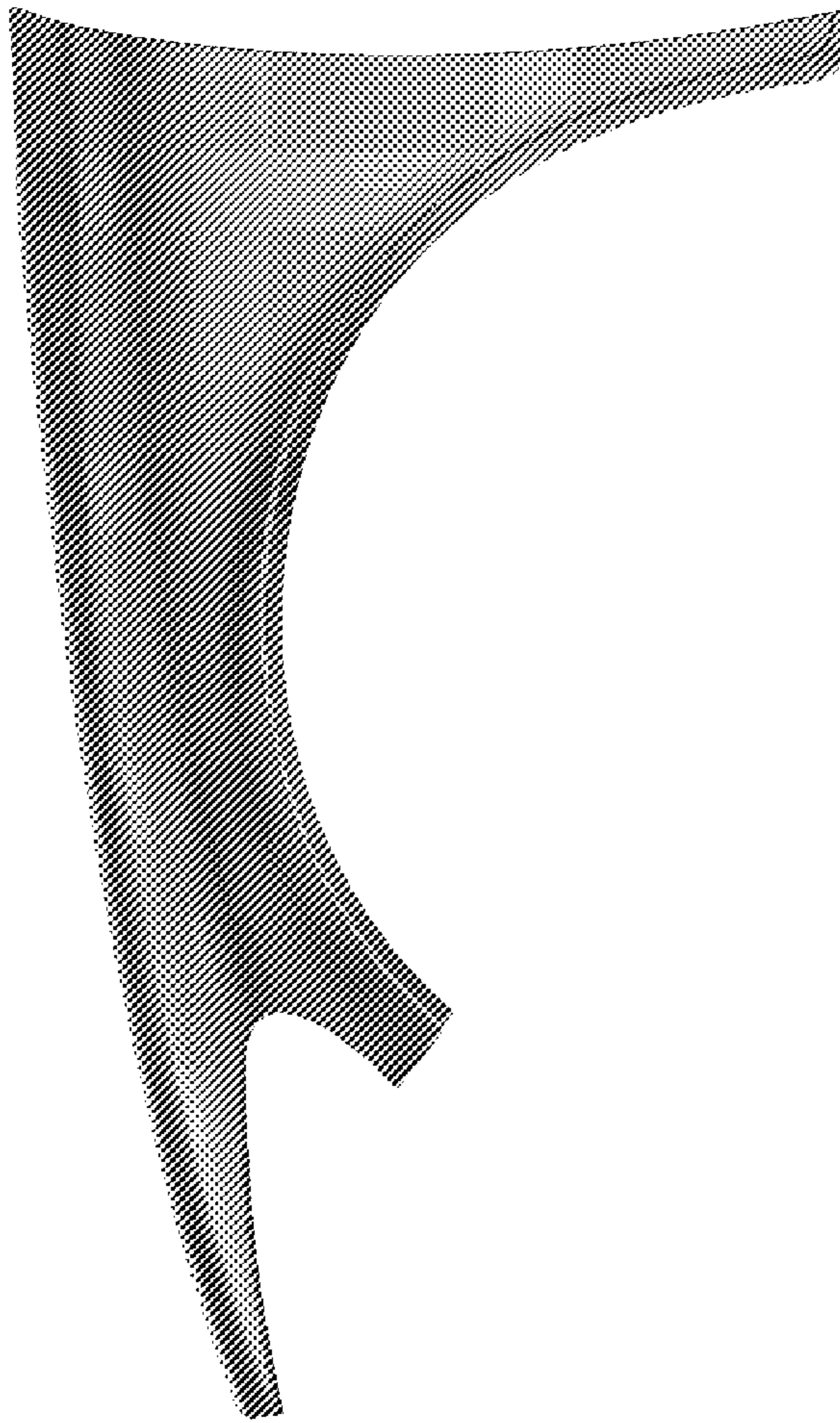


Figure 2

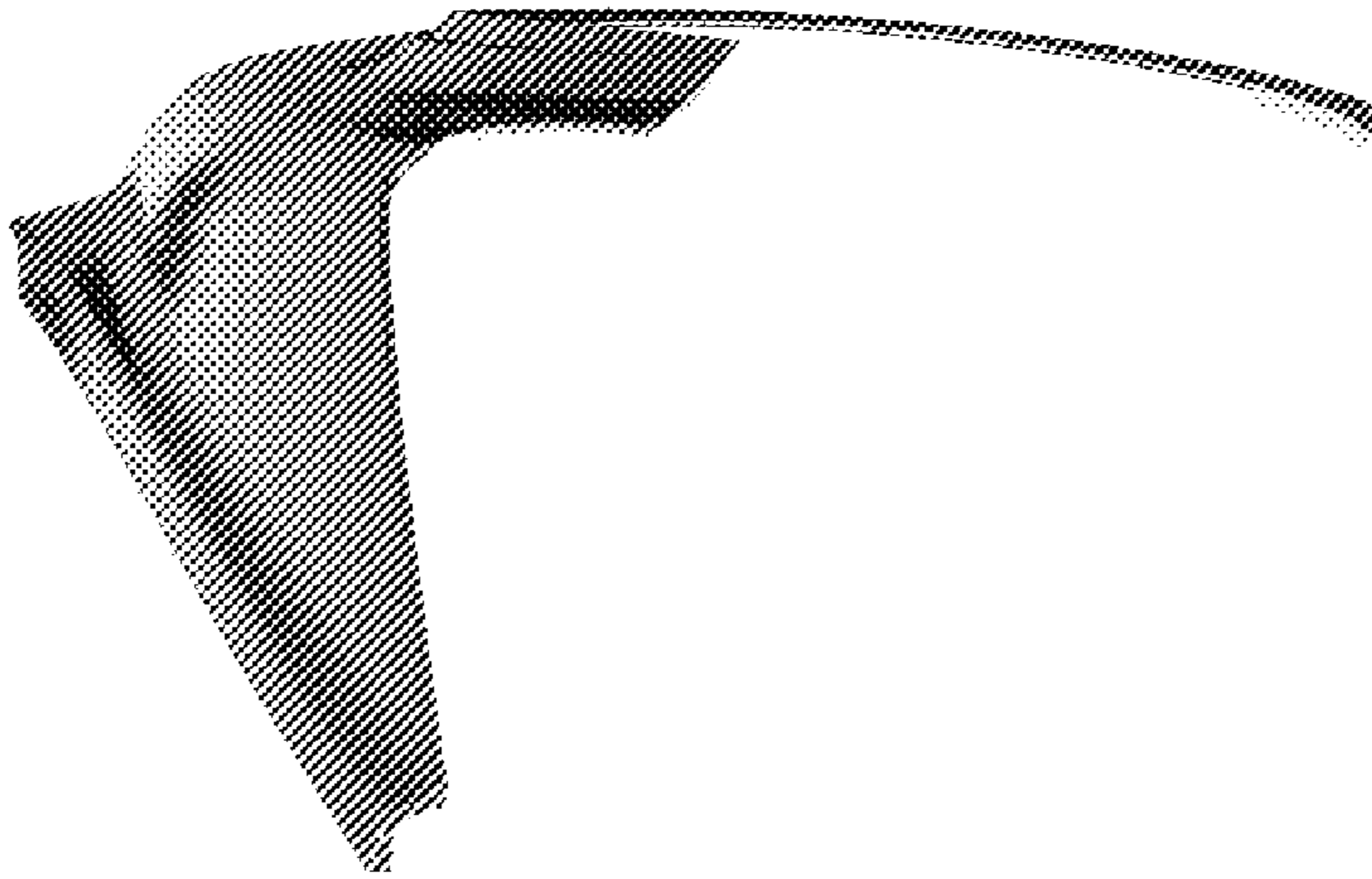


Figure 3

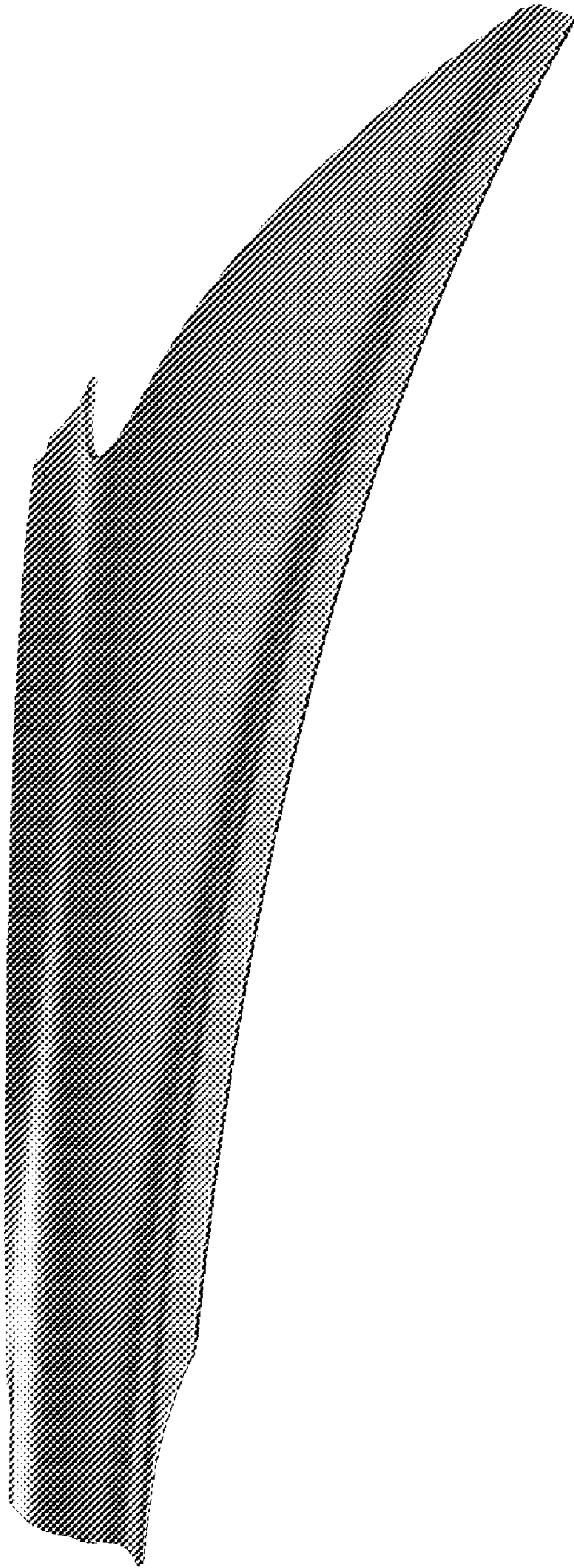


Figure 4

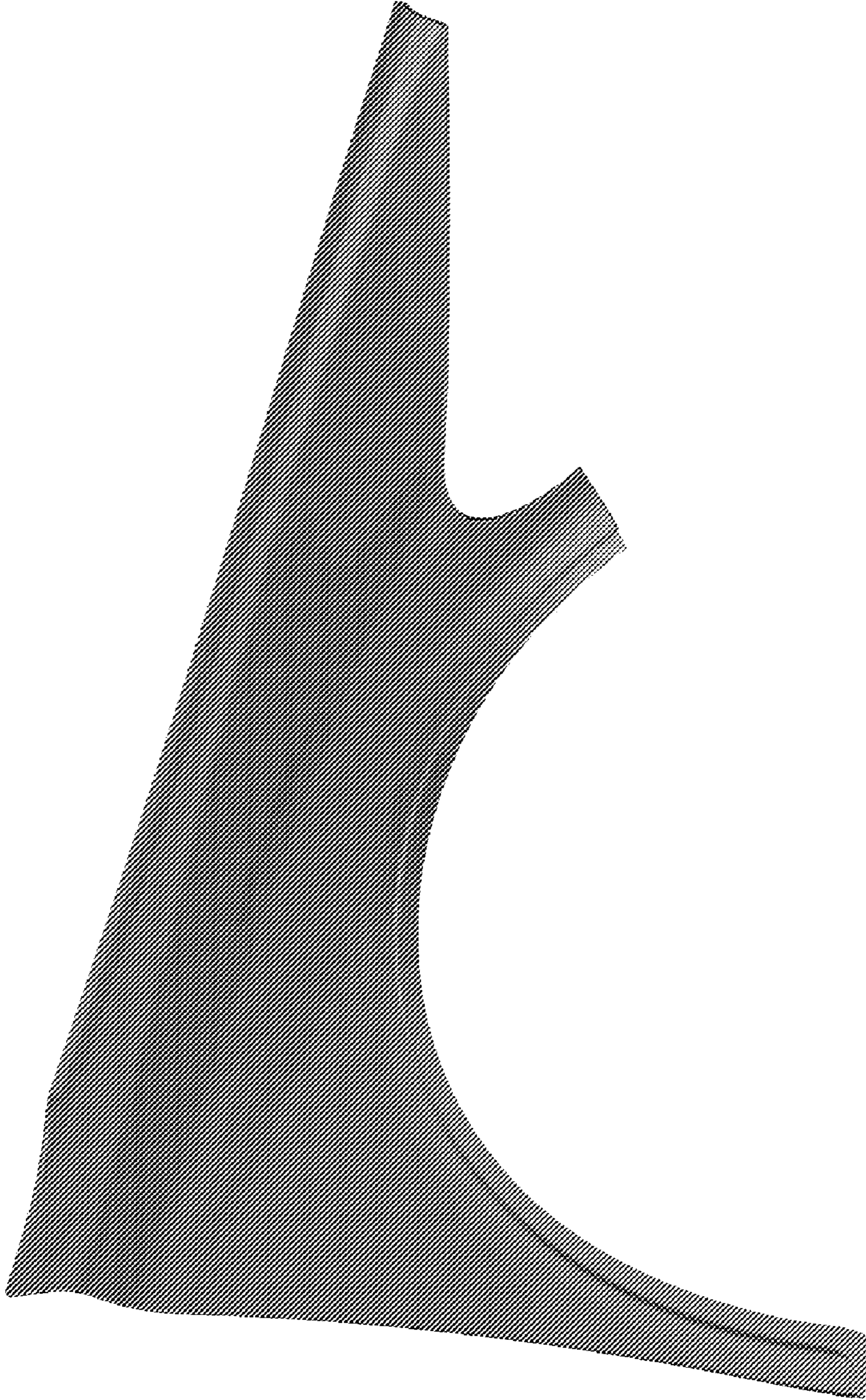


Figure 5

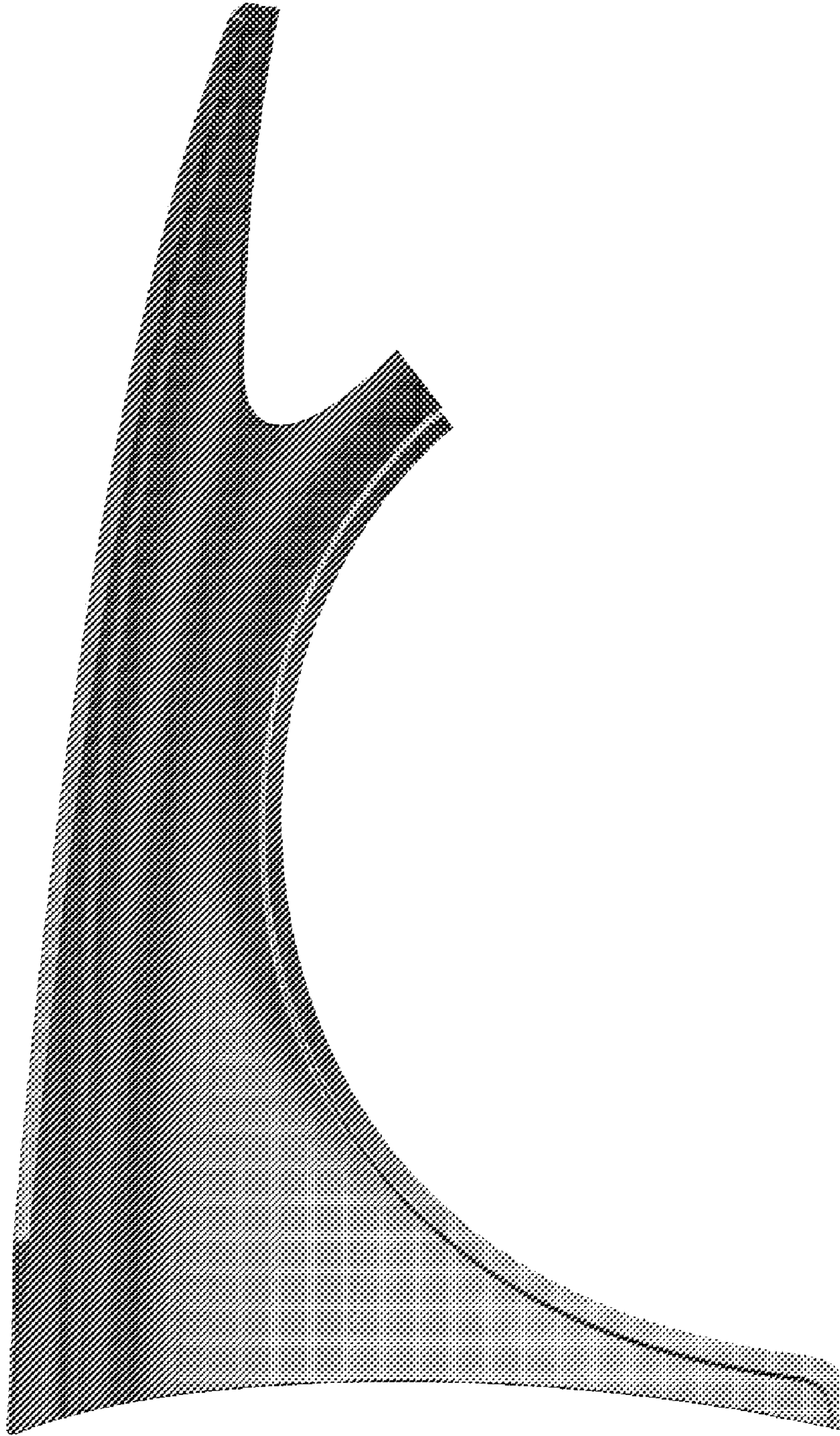


Figure 6

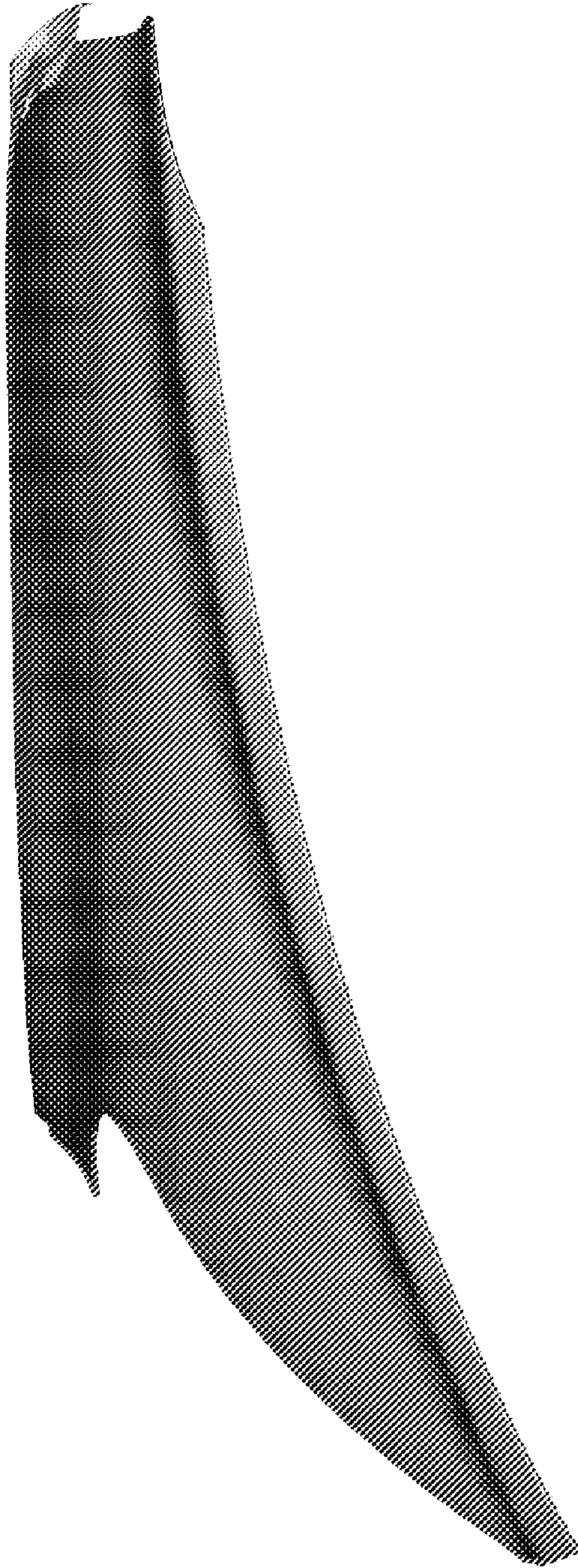


Figure 7

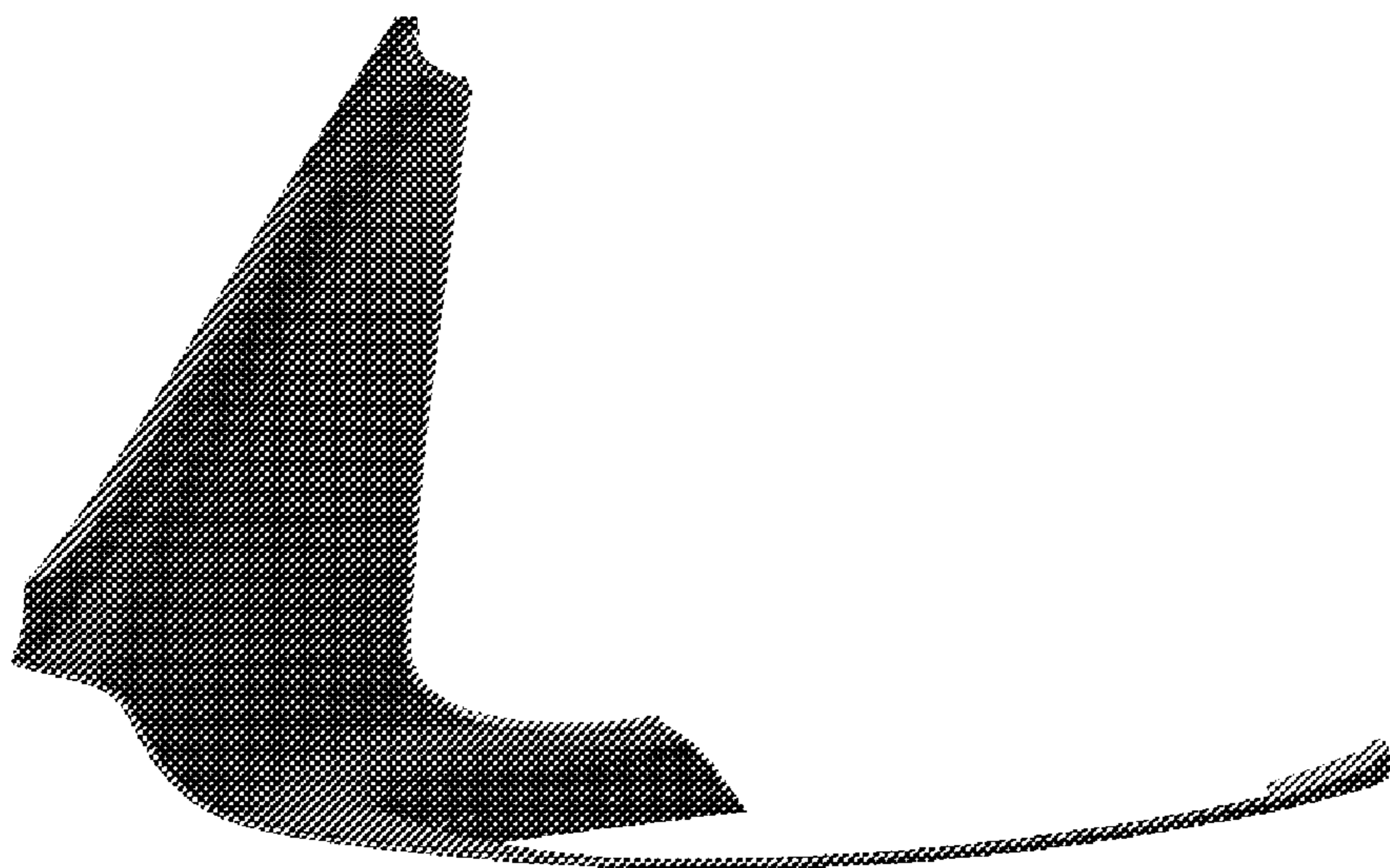


Figure 8