

US00D550129S

(12) **United States Design Patent** (10) **Patent No.:** **US D550,129 S**
Koizumi et al. (45) **Date of Patent:** **** Sep. 4, 2007**

(54) **BUMPER OF MOTOR VEHICLE** D504,851 S * 5/2005 Hosoda et al. D12/169

(75) Inventors: **Iwao Koizumi**, Hiroshima (JP);
Toshiaki Yamayoshi, Hiroshima (JP);
Takashi Ono, Gotenba (JP)

FOREIGN PATENT DOCUMENTS		
JP	1143790	6/2002
JP	1170265	4/2003
JP	1184048	9/2003
JP	1200158	3/2004

(73) Assignee: **Mazda Motor Corporation**, Hiroshima (JP)

* cited by examiner

(**) Term: **14 Years**

Primary Examiner—Melody N. Brown

(21) Appl. No.: **29/218,878**

(74) *Attorney, Agent, or Firm*—Nixon Peabody LLP;
Donald R. Studebaker

(22) Filed: **Dec. 8, 2004**

(57) **CLAIM**

(51) **LOC (8) Cl.** **12-16**

The ornamental design for a bumper of motor vehicle, as shown and described.

(52) **U.S. Cl.** **D12/169**

(58) **Field of Classification Search** D12/90–92,
D12/86, 169, 196, 163; 296/180.1, 180.2;
293/102, 113, 115, 117, 120
See application file for complete search history.

DESCRIPTION

(56) **References Cited**

FIG. 1 is a front perspective view of a bumper of motor vehicle;

U.S. PATENT DOCUMENTS

FIG. 2 is a front view thereof;

D473,499 S	*	4/2003	Tanabe et al.	D12/169
D474,720 S	*	5/2003	Tachibana et al.	D12/169
D492,227 S	*	6/2004	Suzuki et al.	D12/169
D493,126 S	*	7/2004	Suzuki et al.	D12/169
D497,125 S	*	10/2004	Pfeiffer et al.	D12/169
D498,443 S	*	11/2004	Koyama et al.	D12/169
D503,133 S	*	3/2005	Pfeiffer et al.	D12/169
D504,641 S	*	5/2005	Nakajima	D12/169

FIG. 3 is a left side view thereof

FIG. 4 is a right side view thereof;

FIG. 5 is a top view thereof; and,

FIG. 6 is a bottom view thereof.

The broken lines are shown for illustrative purposes only and form no part of the claimed design.

1 Claim, 3 Drawing Sheets

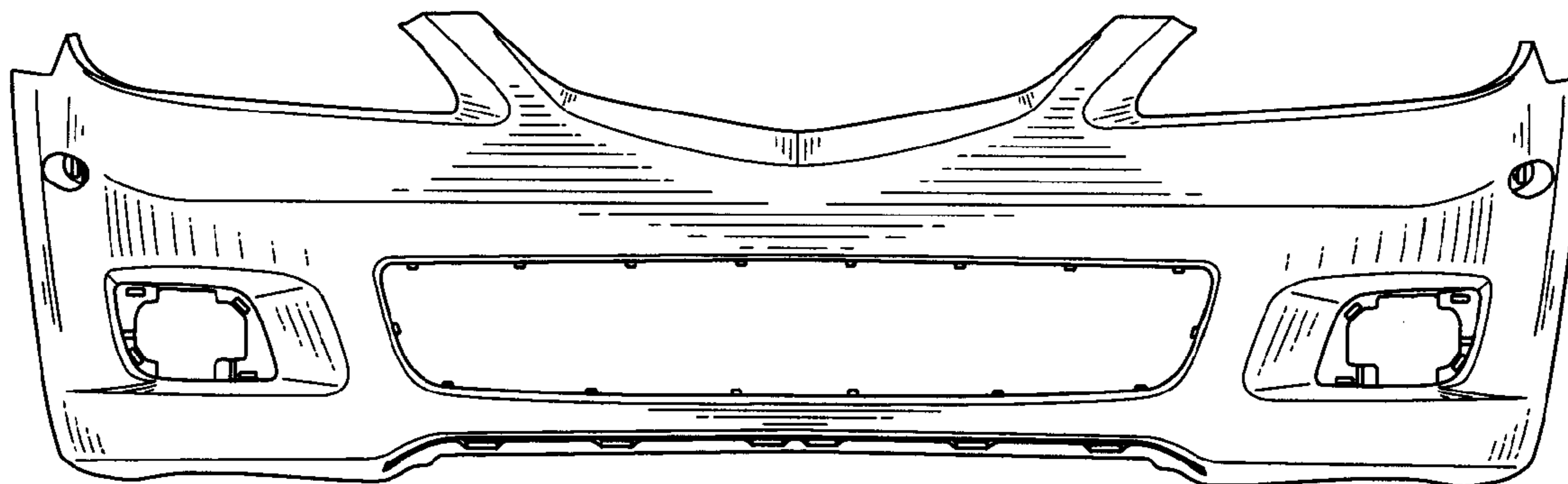


FIG. 1

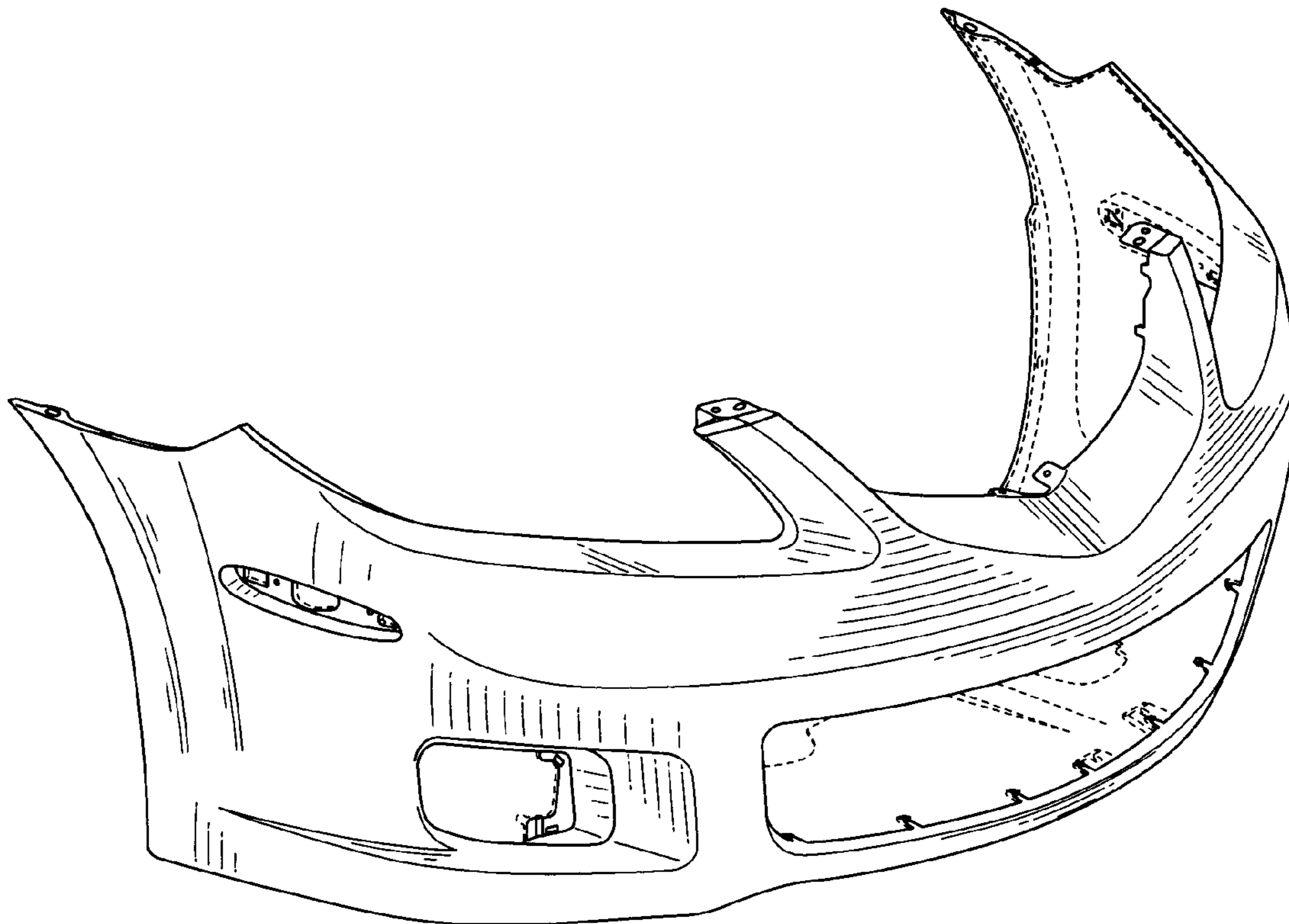


FIG. 2

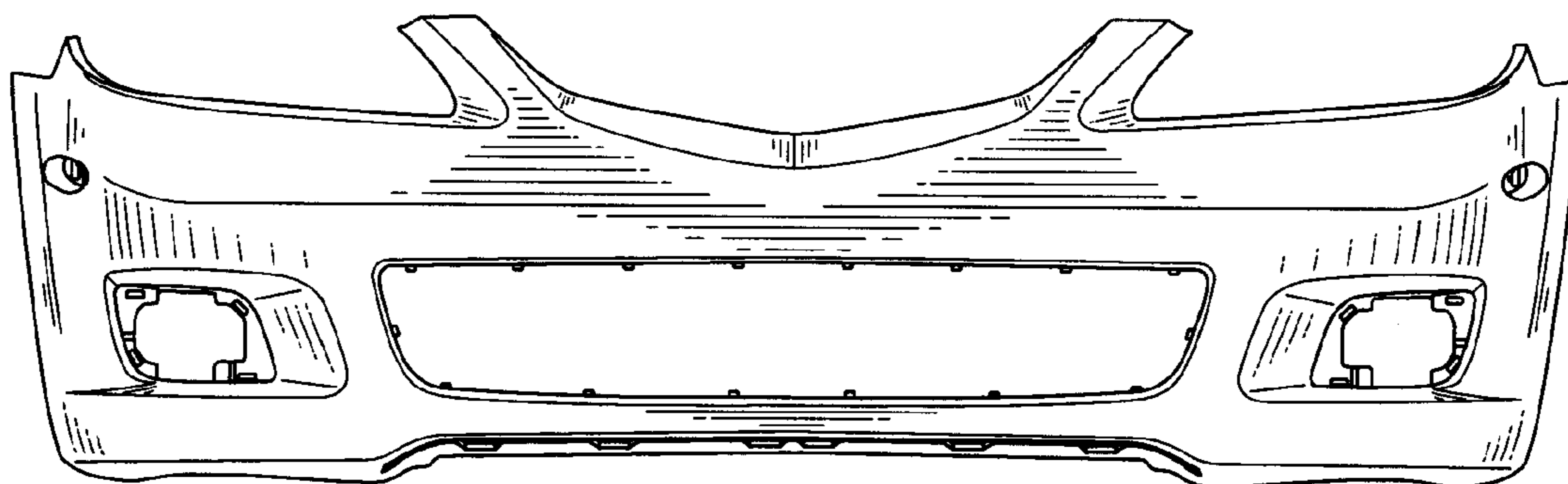


FIG. 3

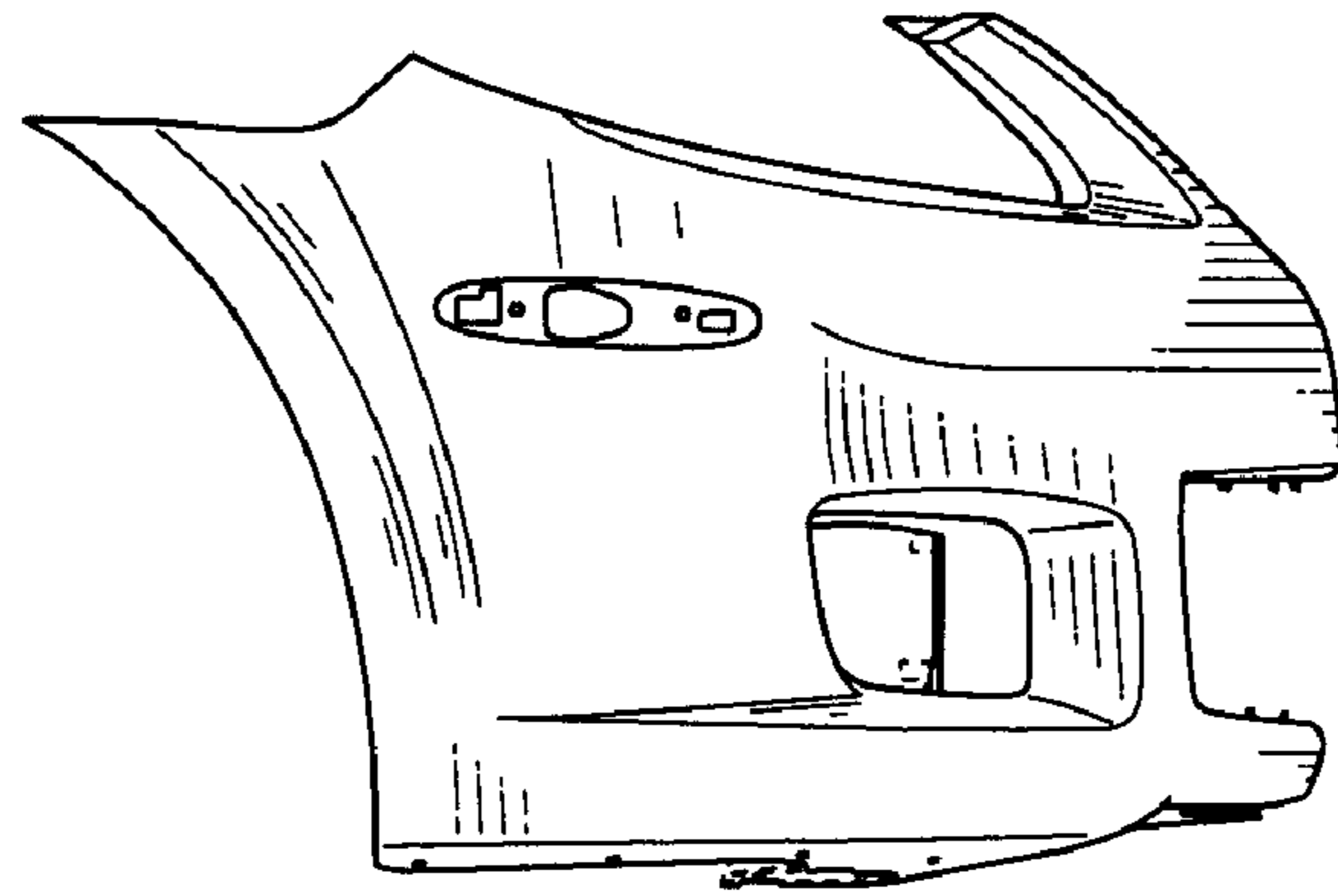


FIG. 4

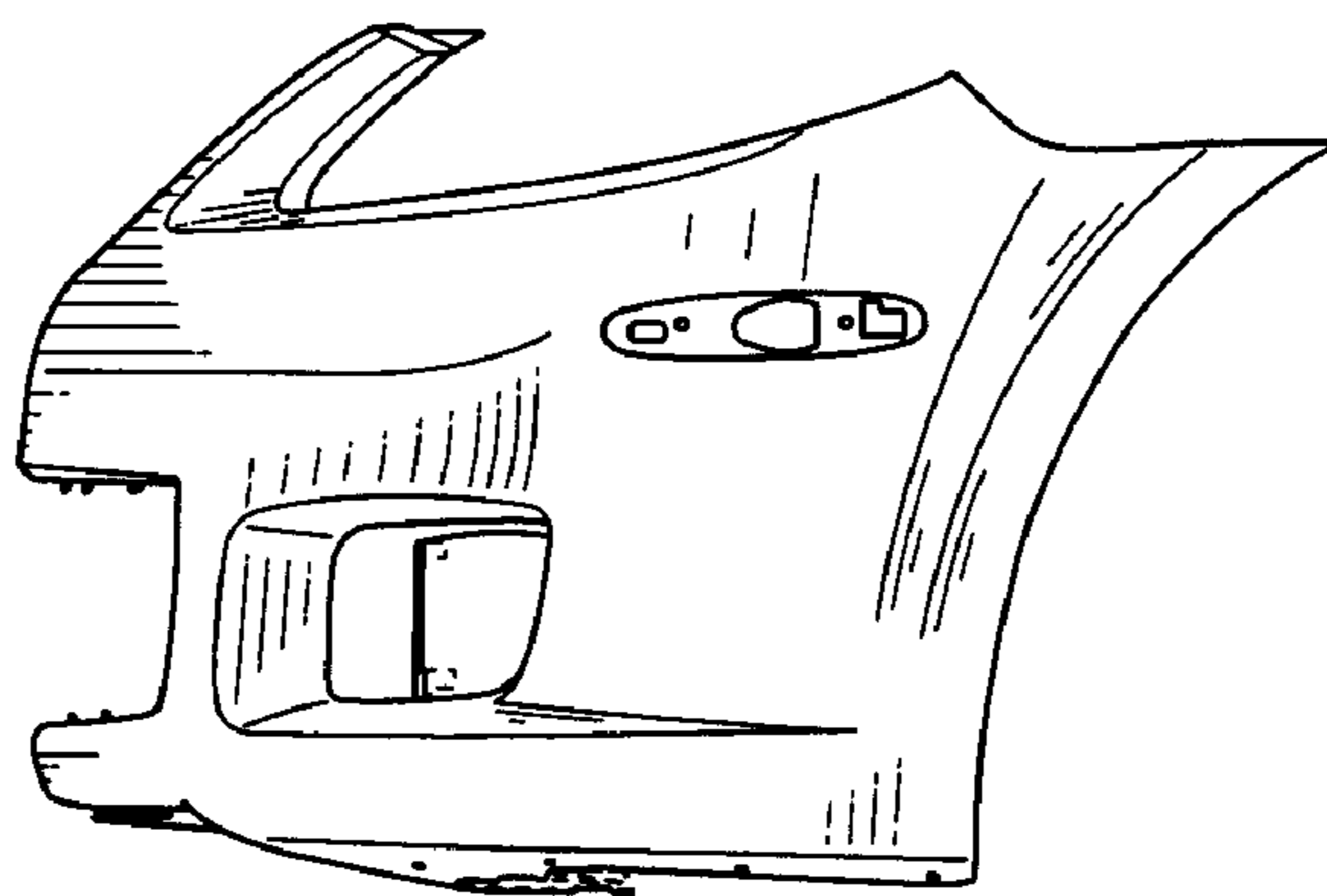


FIG. 5

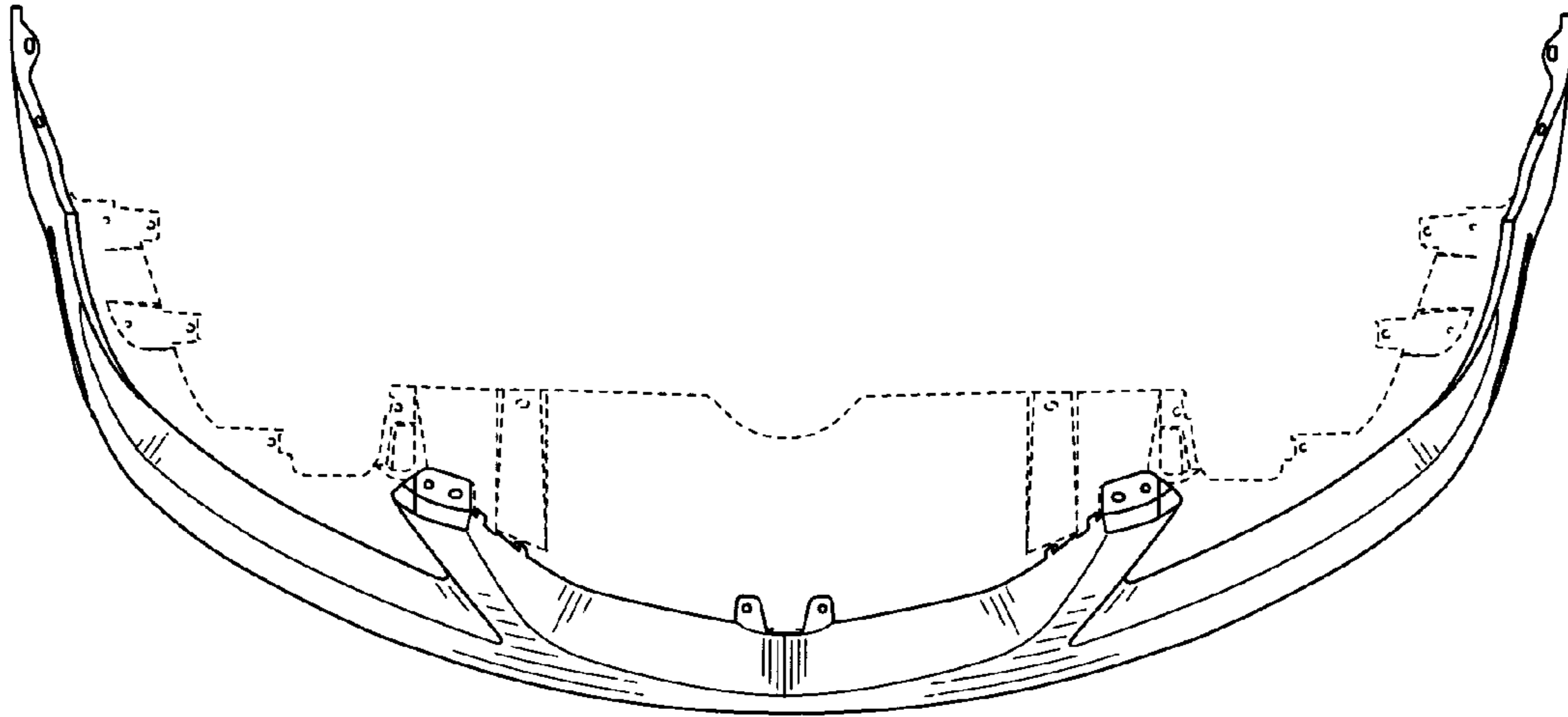


FIG. 6

