



US00D550122S

(12) **United States Design Patent** (10) **Patent No.:** **US D550,122 S**
Pfeiffer (45) **Date of Patent:** **** Sep. 4, 2007**

(54) **SURFACE CONFIGURATION OF A VEHICLE, TOY, AND/OR OTHER REPLICAS**

(75) Inventor: **Peter Pfeiffer**, Boeblingen (DE)

(73) Assignee: **DaimlerChrysler AG**, Stuttgart (DE)

(**) Term: **14 Years**

(21) Appl. No.: **29/225,823**

(22) Filed: **Mar. 22, 2005**

(30) **Foreign Application Priority Data**

Sep. 22, 2004	(DE)	4 04 05 376
Sep. 22, 2004	(DE)	4 04 05 377
Sep. 22, 2004	(DE)	4 04 05 379
Sep. 22, 2004	(DE)	4 04 05 380
Sep. 22, 2004	(DE)	4 04 05 381
Sep. 22, 2004	(DE)	4 04 05 382

(51) **LOC (8) Cl.** **12-08**

(52) **U.S. Cl.** **D12/91**

(58) **Field of Classification Search** D12/90-92,
D12/86; D21/424, 433; 296/181.1
See application file for complete search history.

(56) **References Cited**

U.S. PATENT DOCUMENTS

D441,691 S *	5/2001	Pfeiffer et al.	D12/90
D472,186 S *	3/2003	Pfeiffer et al.	D12/91
D495,975 S *	9/2004	Pfeiffer	D12/91
D496,607 S *	9/2004	Pfeiffer	D12/91
D505,095 S *	5/2005	Frye	D12/91
D511,716 S *	11/2005	Pfeiffer	D12/91
D539,190 S *	3/2007	Brown et al.	D12/91

* cited by examiner

Primary Examiner—Melody N. Brown

(74) *Attorney, Agent, or Firm*—Crowell & Moring LLP

(57) **CLAIM**

The ornamental design for a surface configuration of a vehicle, toy, and/or other replicas, as shown and described.

DESCRIPTION

This application is related to the following co-pending applications, of the inventor, filed on even date herewith:

Application Ser. No. 29/225,802, entitled “Surface Configuration of a Vehicle, Toy, and/or Other Replicas”;

Application Ser. No. 29/225,843, entitled “Surface Configuration of a Vehicle, Toy, and/or Other Replicas”; and

Application Ser. No. 29/225,812, entitled “Surface Configuration of a Headlight for a Vehicle”.

FIG. 1 is a left, front perspective view of a first embodiment of a surface configuration of a vehicle, toy, and/or other replicas according to my novel design, the right, front perspective view being mirror symmetrical;

FIG. 2 is a left, rear perspective view of the first embodiment of the surface configuration of a vehicle, toy, and/or other replicas according to my novel design, the right, rear perspective view being mirror symmetrical;

FIG. 3 is a left side view of the first embodiment of the surface configuration of a vehicle, toy, and/or other replicas according to my novel design, the right side view being mirror symmetrical;

FIG. 4 is a front view of the first embodiment of the surface configuration of a vehicle, toy, and/or other replicas according to my novel design;

FIG. 5 is a rear view of the first embodiment of the surface configuration of a vehicle, toy, and/or other replicas according to my novel design;

FIG. 6 is a top view of the first embodiment of the surface configuration of a vehicle, toy, and/or other replicas according to my novel design;

FIG. 7 is a left, front perspective view of a second embodiment of the surface configuration of a vehicle, toy, and/or other replicas according to my novel design, the right, front perspective view being mirror symmetrical;

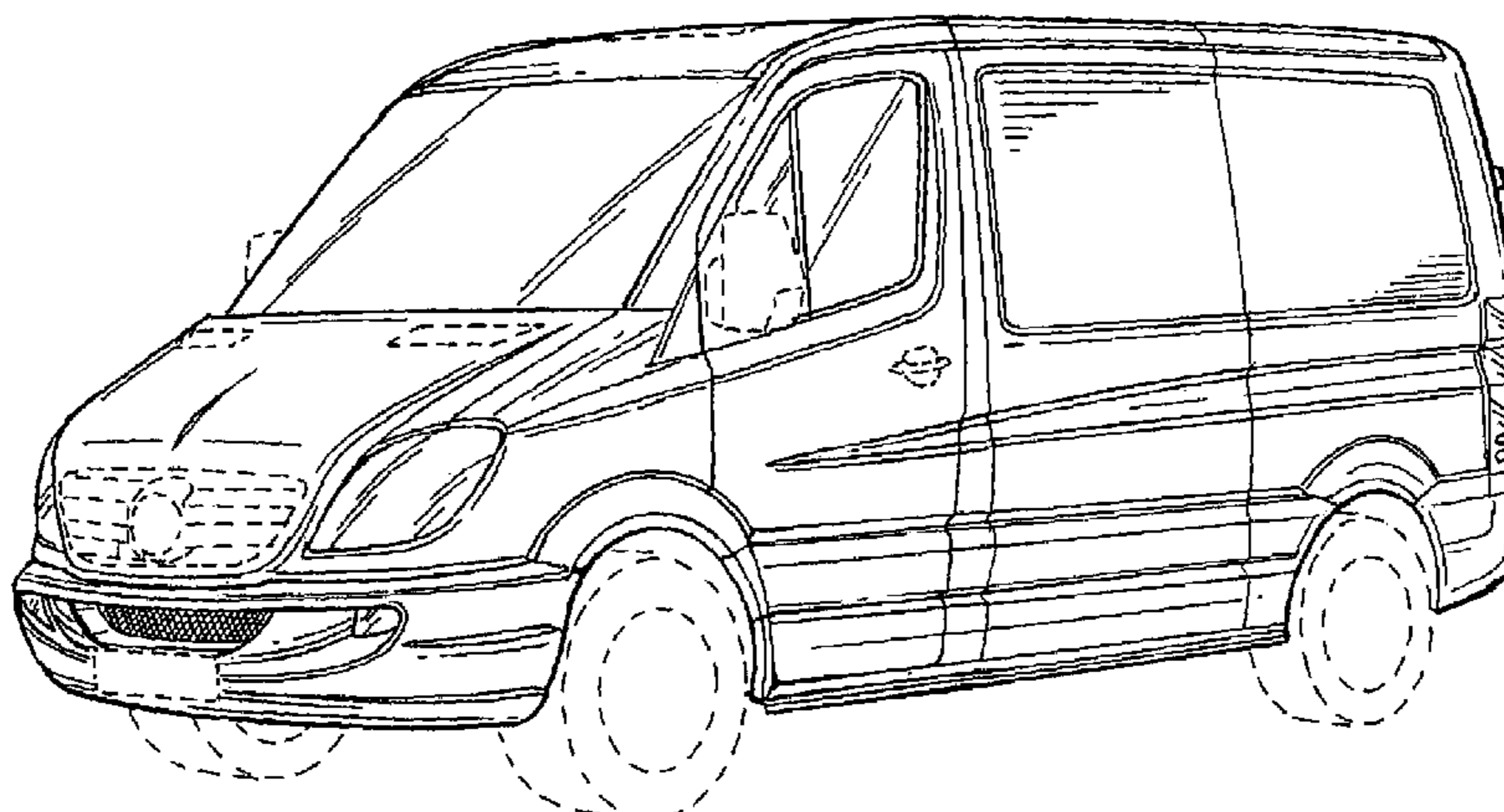


FIG. 8 is a left, rear perspective view of the second embodiment of the surface configuration of a vehicle, toy, and/or other replicas according to my novel design, the right, rear perspective view being mirror symmetrical;

FIG. 9 is a front view of the second embodiment of the surface configuration of a vehicle, toy, and/or other replicas according to my novel design;

FIG. 10 is a rear of the second embodiment of the surface configuration of a vehicle, toy, and/or other replicas according to my novel design;

FIG. 11 is a left side view of the second embodiment of the surface configuration of a vehicle, toy, and/or other replicas according to my novel design, the right side view being mirror symmetrical;

FIG. 12 is a top view of the second embodiment of the surface configuration of a vehicle, toy, and/or other replicas according to my novel design;

FIG. 13 is a left, front perspective view of a third embodiment of the surface configuration of a vehicle, toy, and/or other replicas according to my novel design, the right, front perspective view being mirror symmetrical;

FIG. 14 is a left, rear perspective view of the third embodiment of the surface configuration of a vehicle, toy, and/or other replicas according to my novel design, the right, rear perspective view being mirror symmetrical;

FIG. 15 is a left side view of the third embodiment of the surface configuration of a vehicle, toy, and/or other replicas according to my novel design, the right side view being mirror symmetrical;

FIG. 16 is a front view of the third embodiment of the surface configuration of a vehicle, toy, and/or other replicas according to my novel design;

FIG. 17 is a rear view of the third embodiment of the surface configuration of a vehicle, toy, and/or other replicas according to my novel design;

FIG. 18 is a top view of the third embodiment of the surface configuration of a vehicle, toy, and/or other replicas according to my novel design;

FIG. 19 is a left, front perspective view of a fourth embodiment of the surface configuration of a vehicle, toy, and/or other replicas according to my novel design, the right, front perspective view being mirror symmetrical;

FIG. 20 is a left, rear perspective view of the fourth embodiment of the surface configuration of a vehicle, toy, and/or other replicas according to my novel design, the right, rear perspective view being mirror symmetrical;

FIG. 21 is a left side view of the fourth embodiment of the surface configuration of a vehicle, toy, and/or other replicas according to my novel design, the right side view being mirror symmetrical;

FIG. 22 is a front view of the fourth embodiment of the surface configuration of a vehicle, toy, and/or other replicas according to my novel design;

FIG. 23 is a rear view of the fourth embodiment of the surface configuration of a vehicle, toy, and/or other replicas according to my novel design; and,

FIG. 24 is a top view of the fourth embodiment of the surface configuration of a vehicle, toy, and/or other replicas according to my novel design.

The broken lines are for illustrative purposes only and form no part of the claimed design.

1 Claim, 20 Drawing Sheets

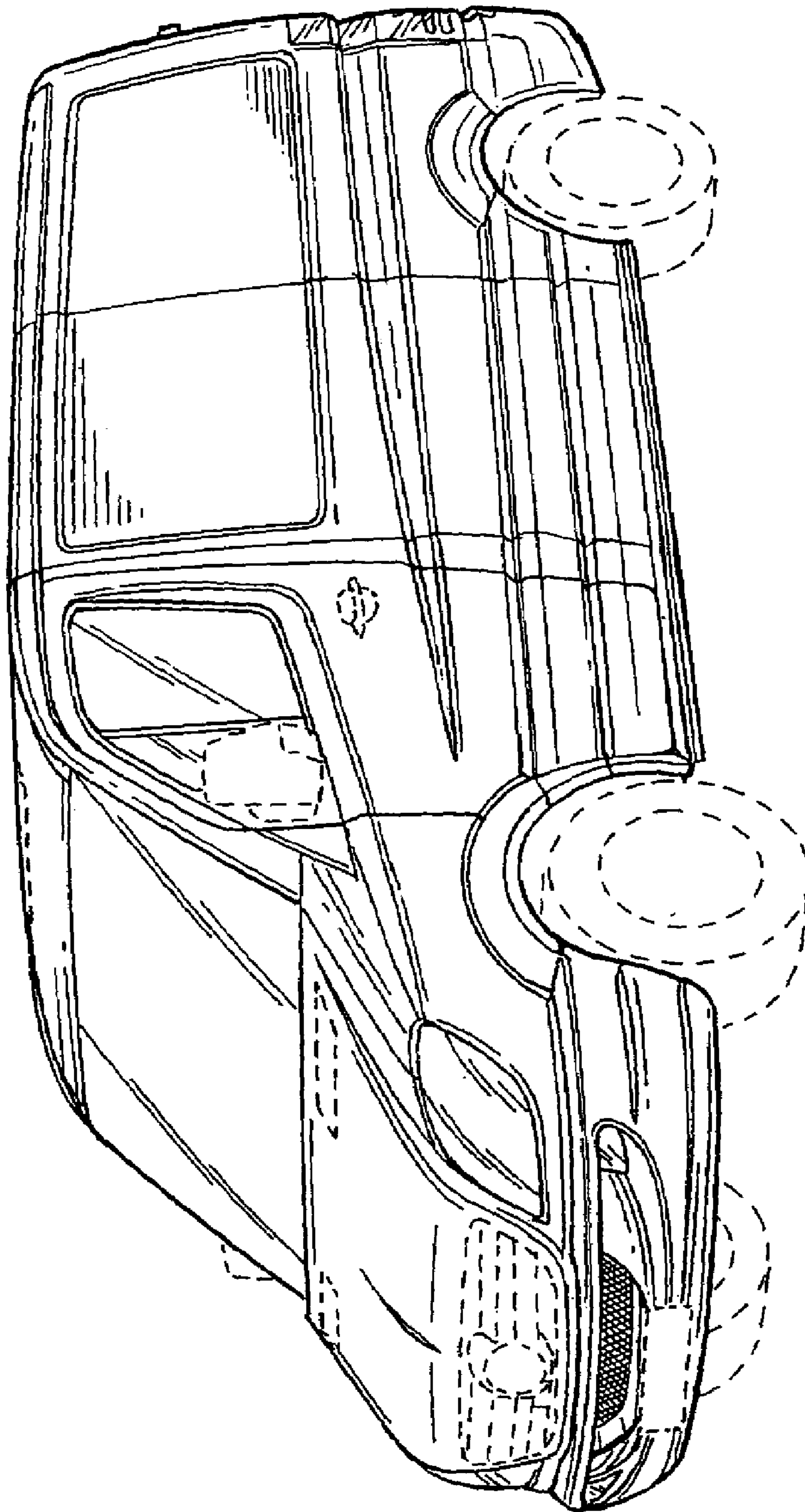


FIG. 1

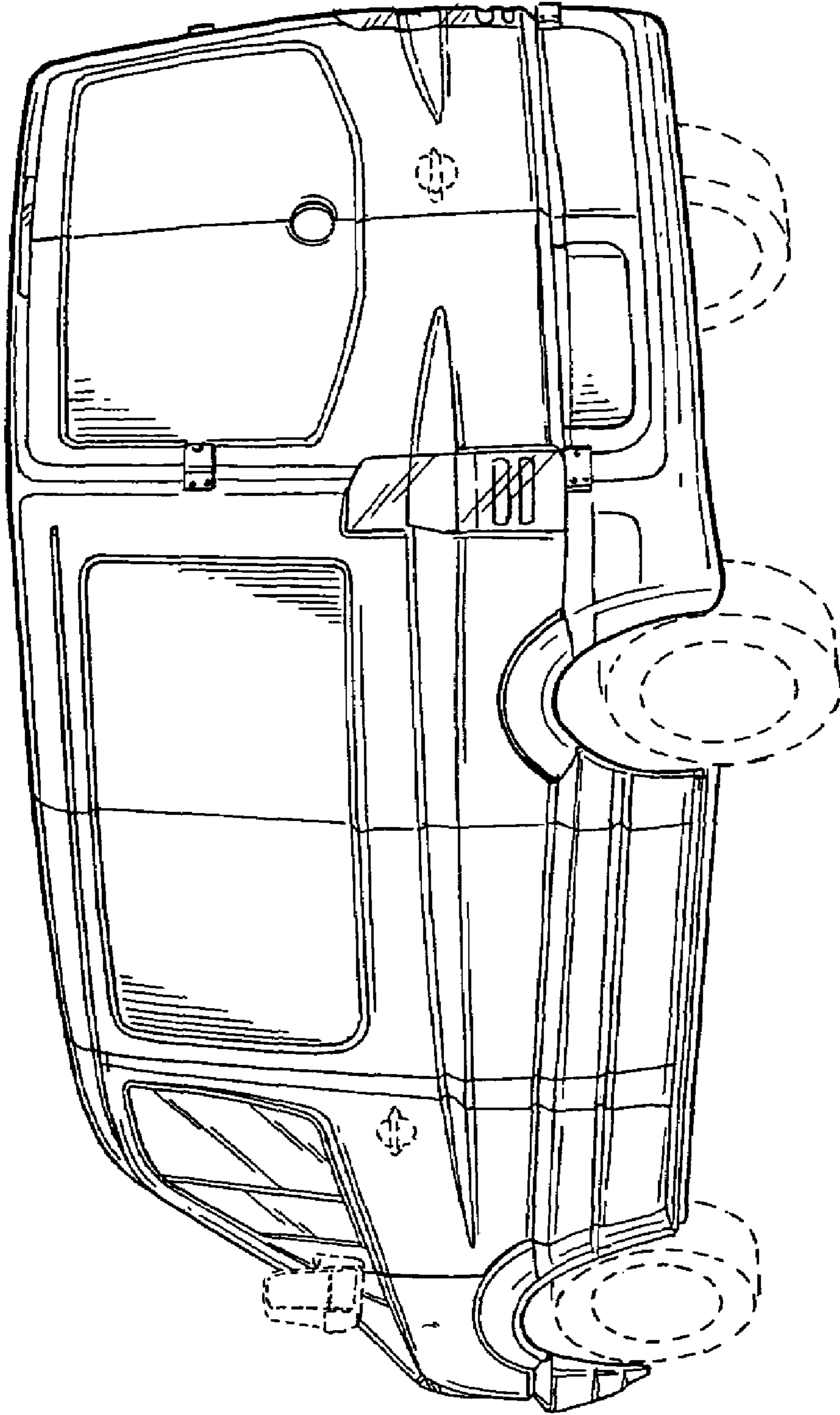


FIG. 2

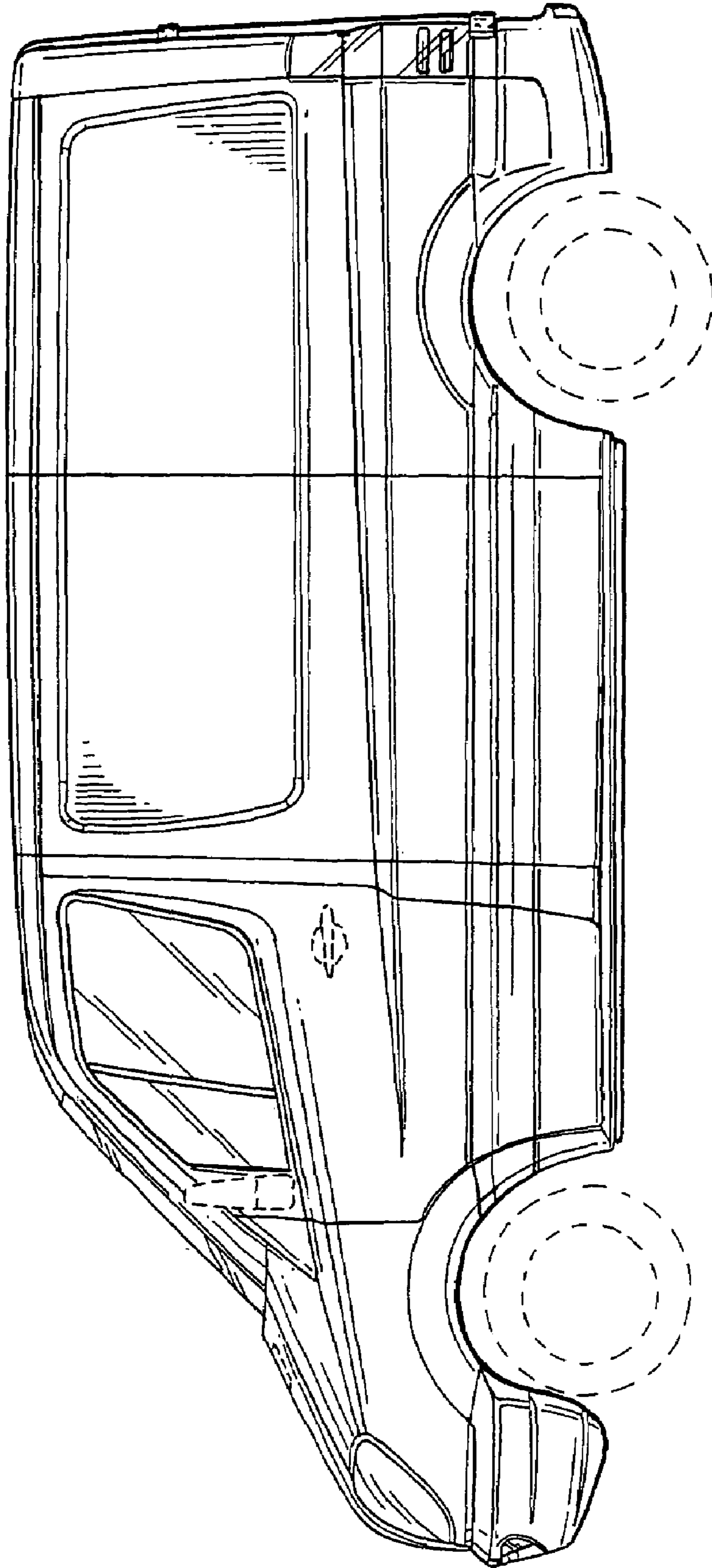


FIG. 3

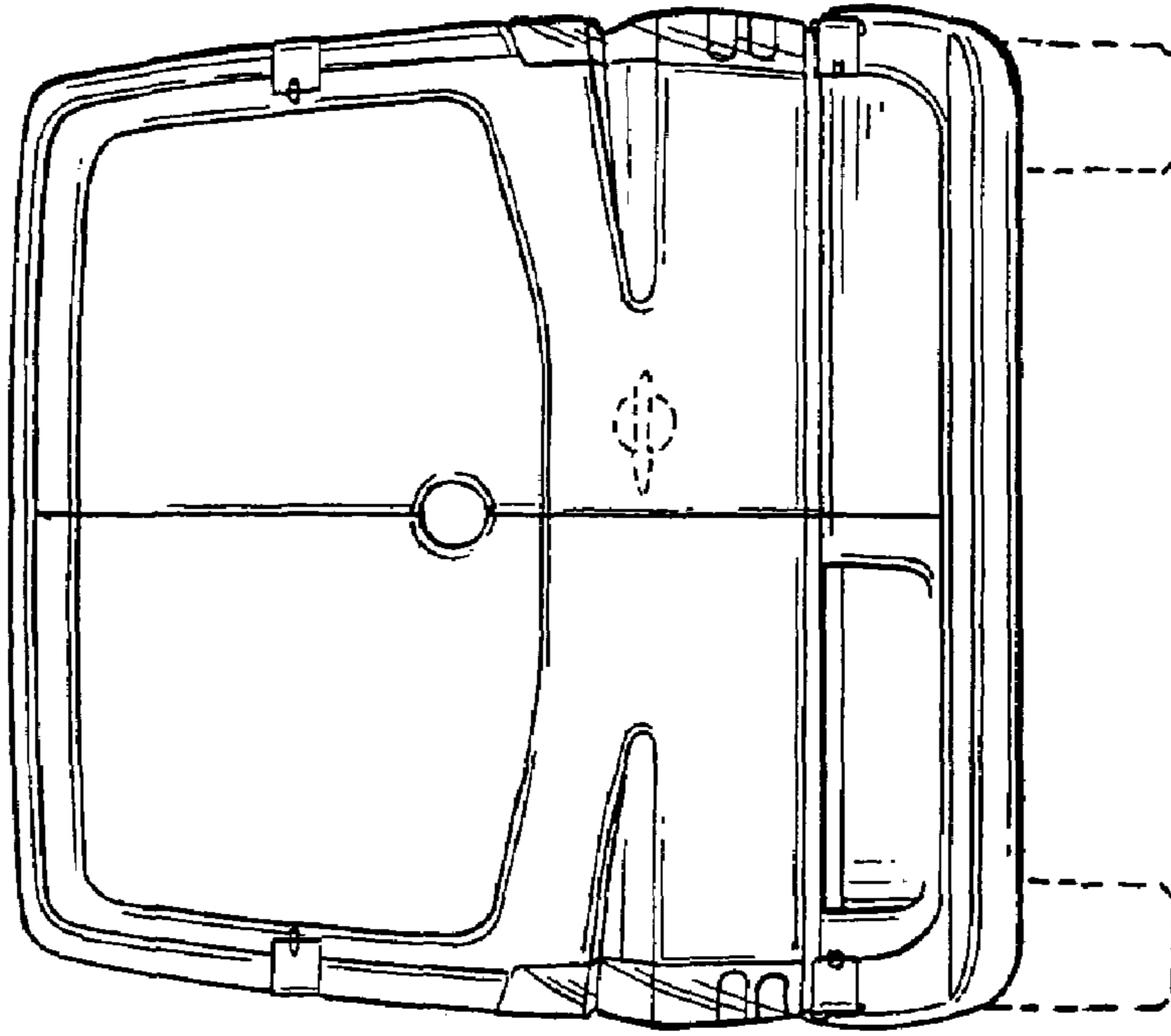


FIG. 5

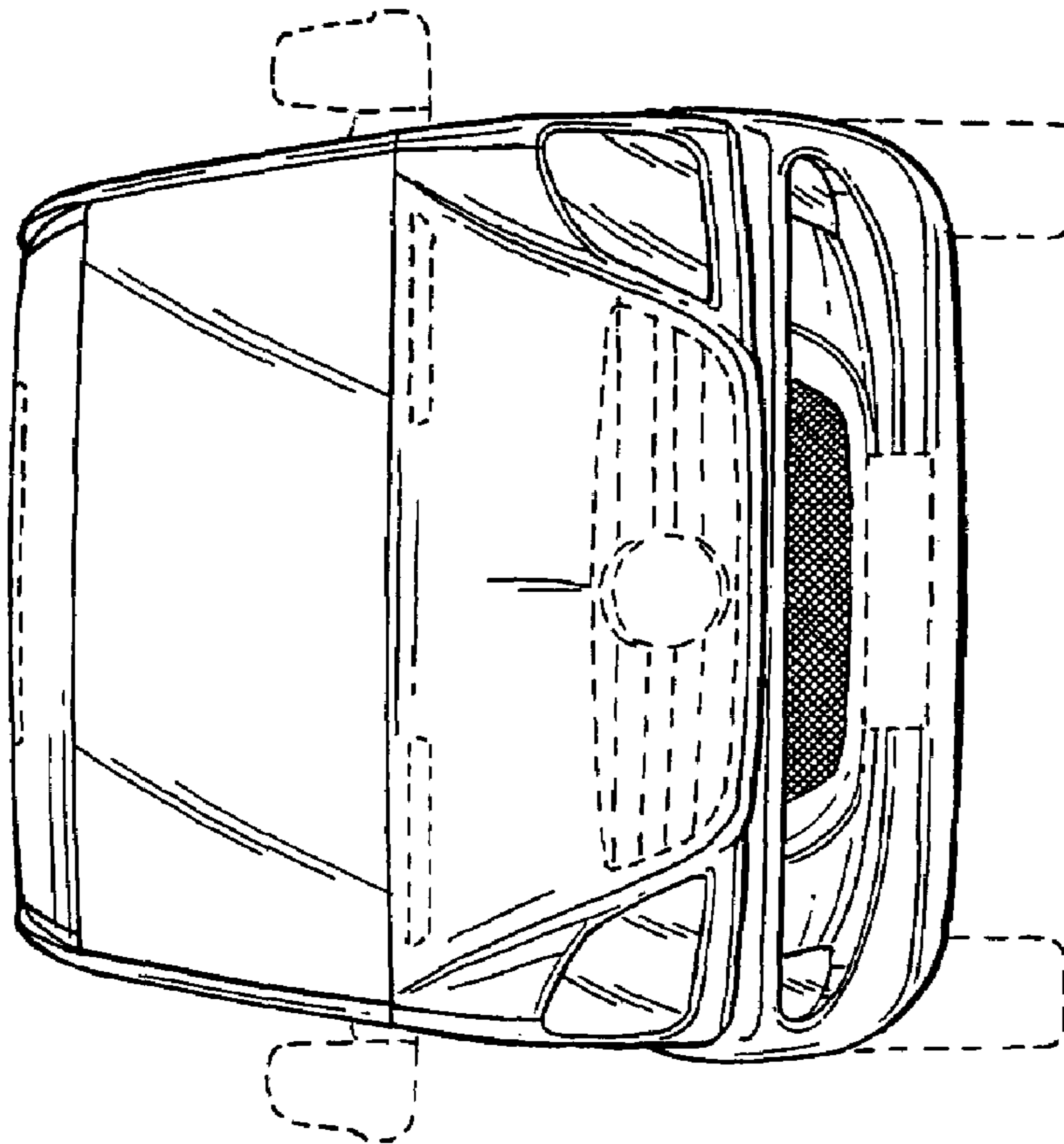


FIG. 4

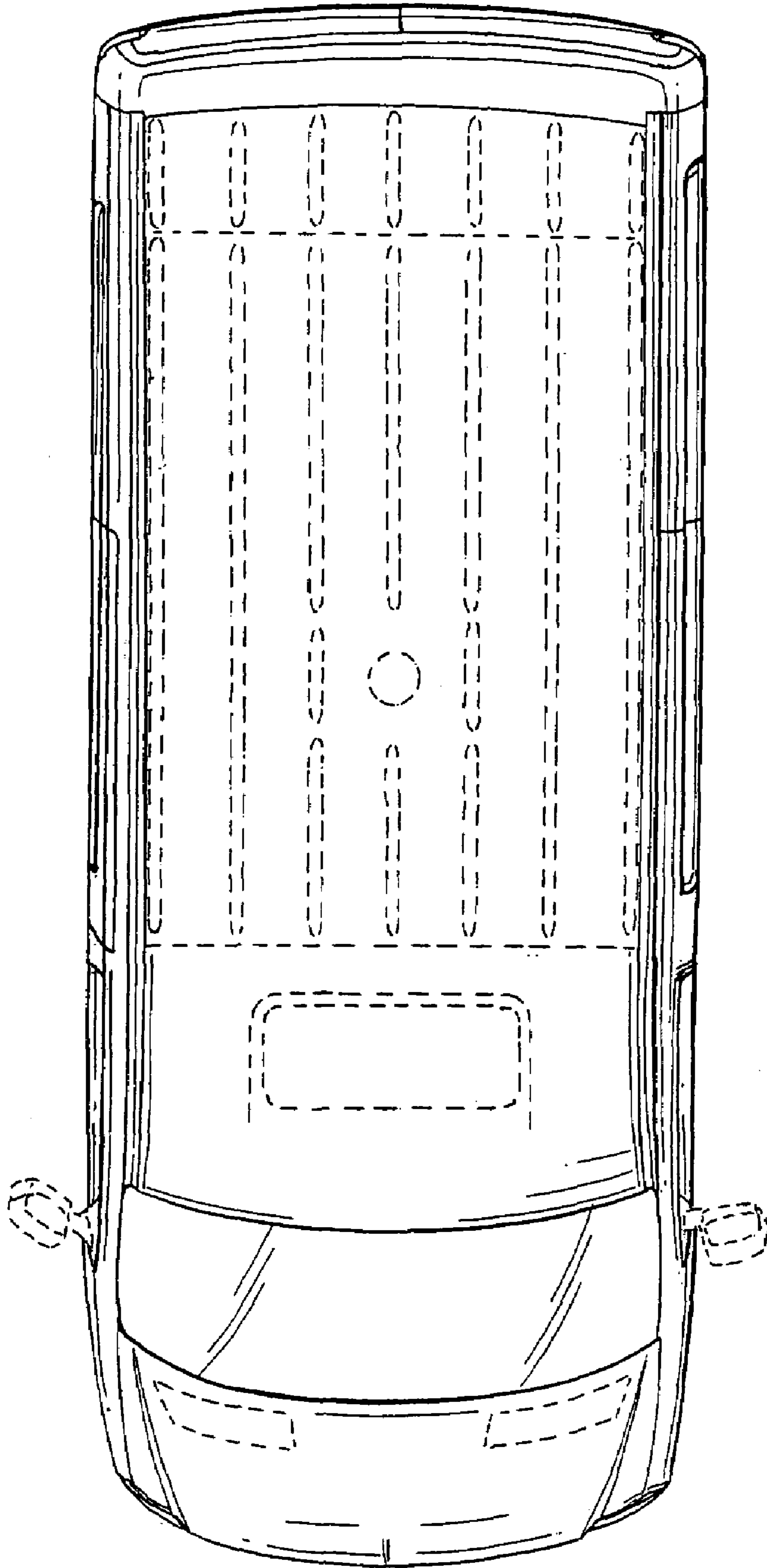


FIG. 6

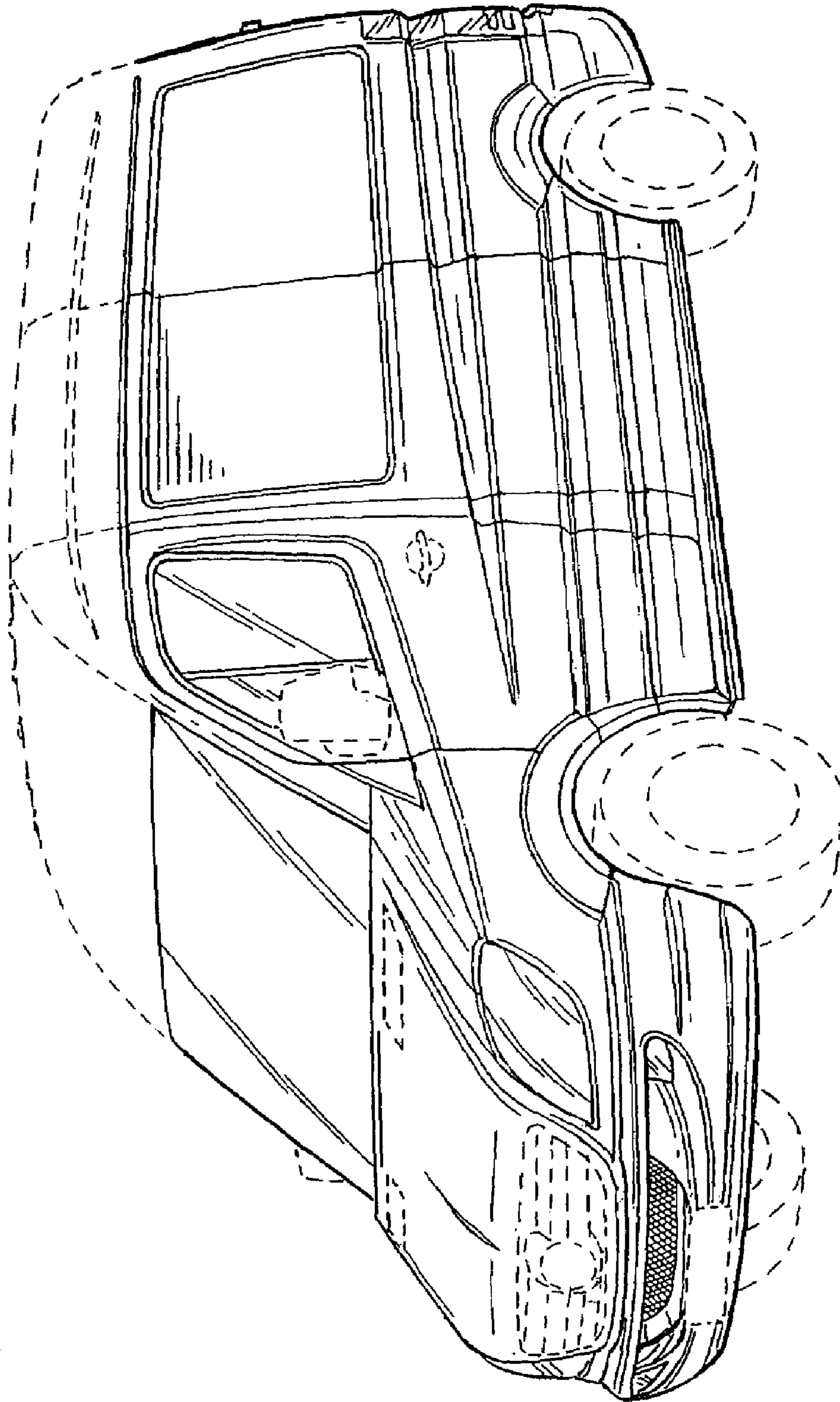


FIG. 7

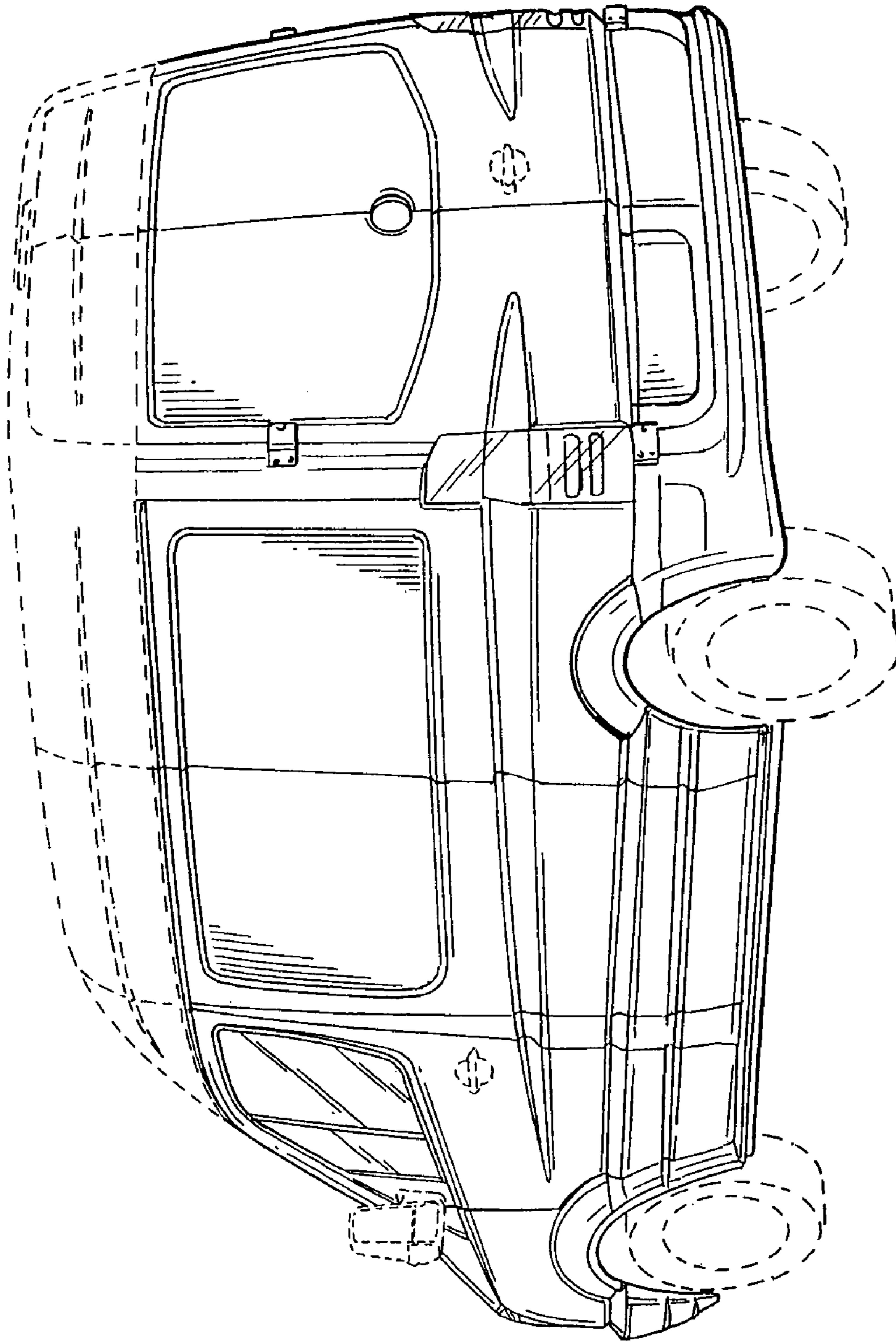


FIG. 8

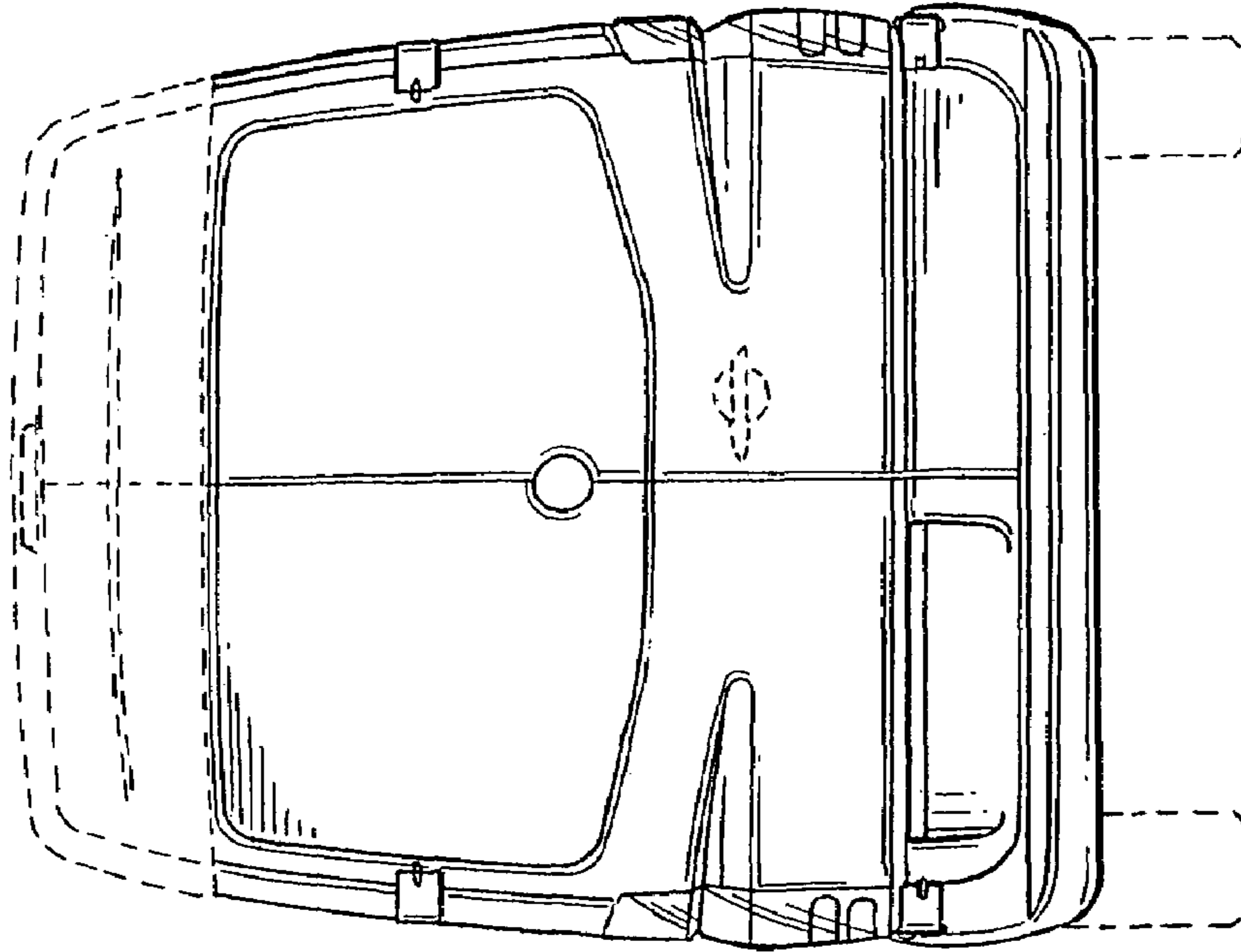


FIG. 10

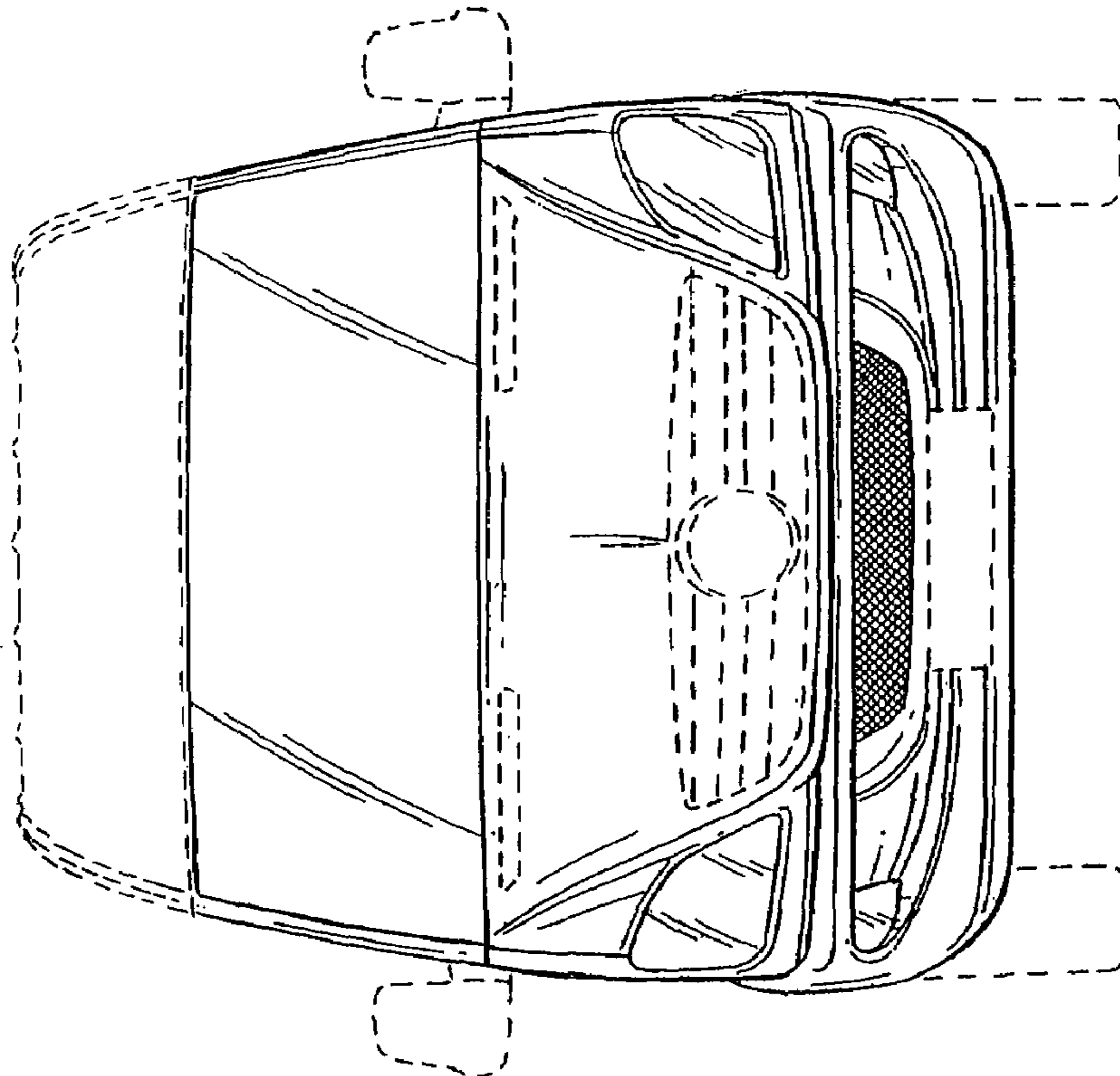


FIG. 9

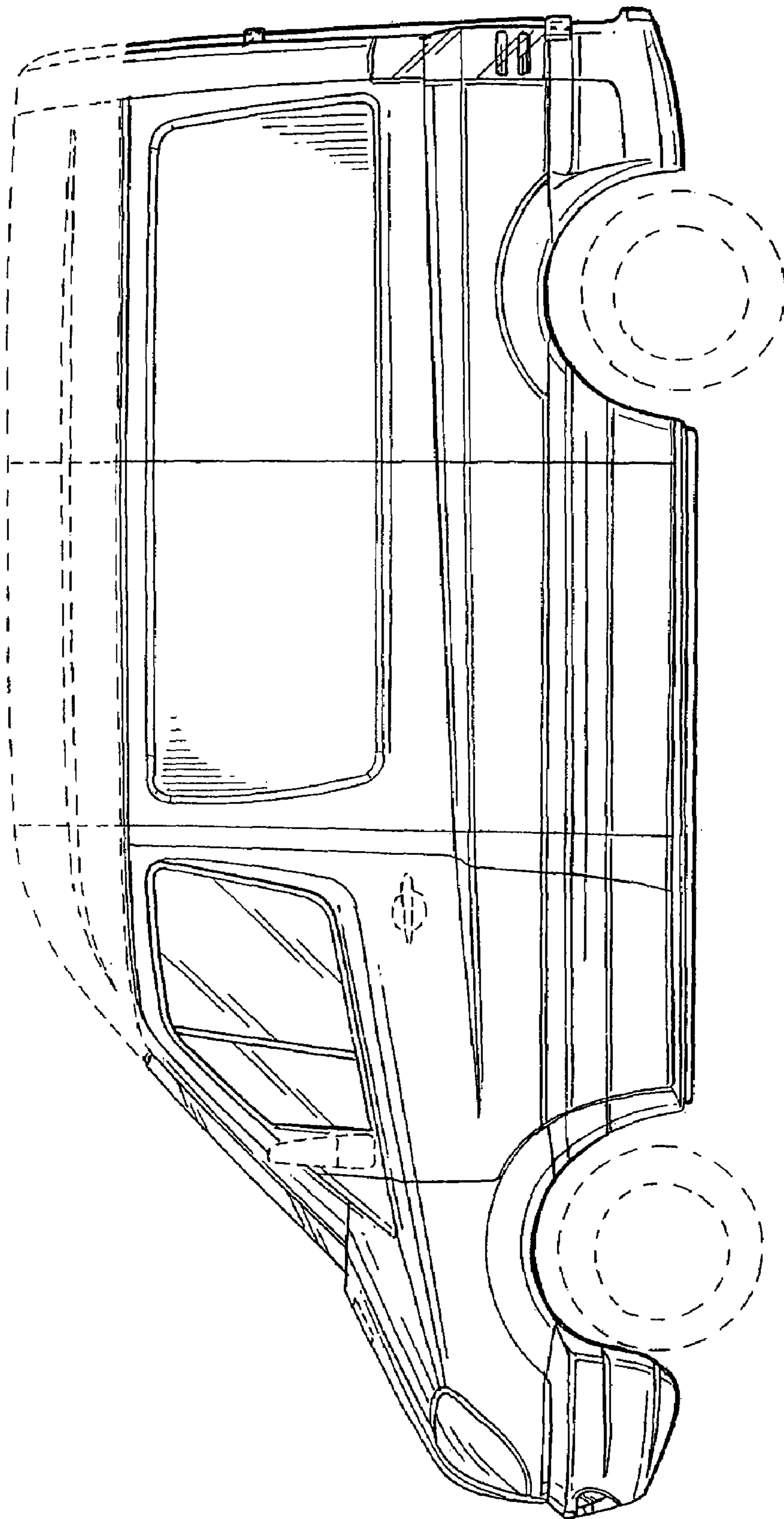


FIG. 11

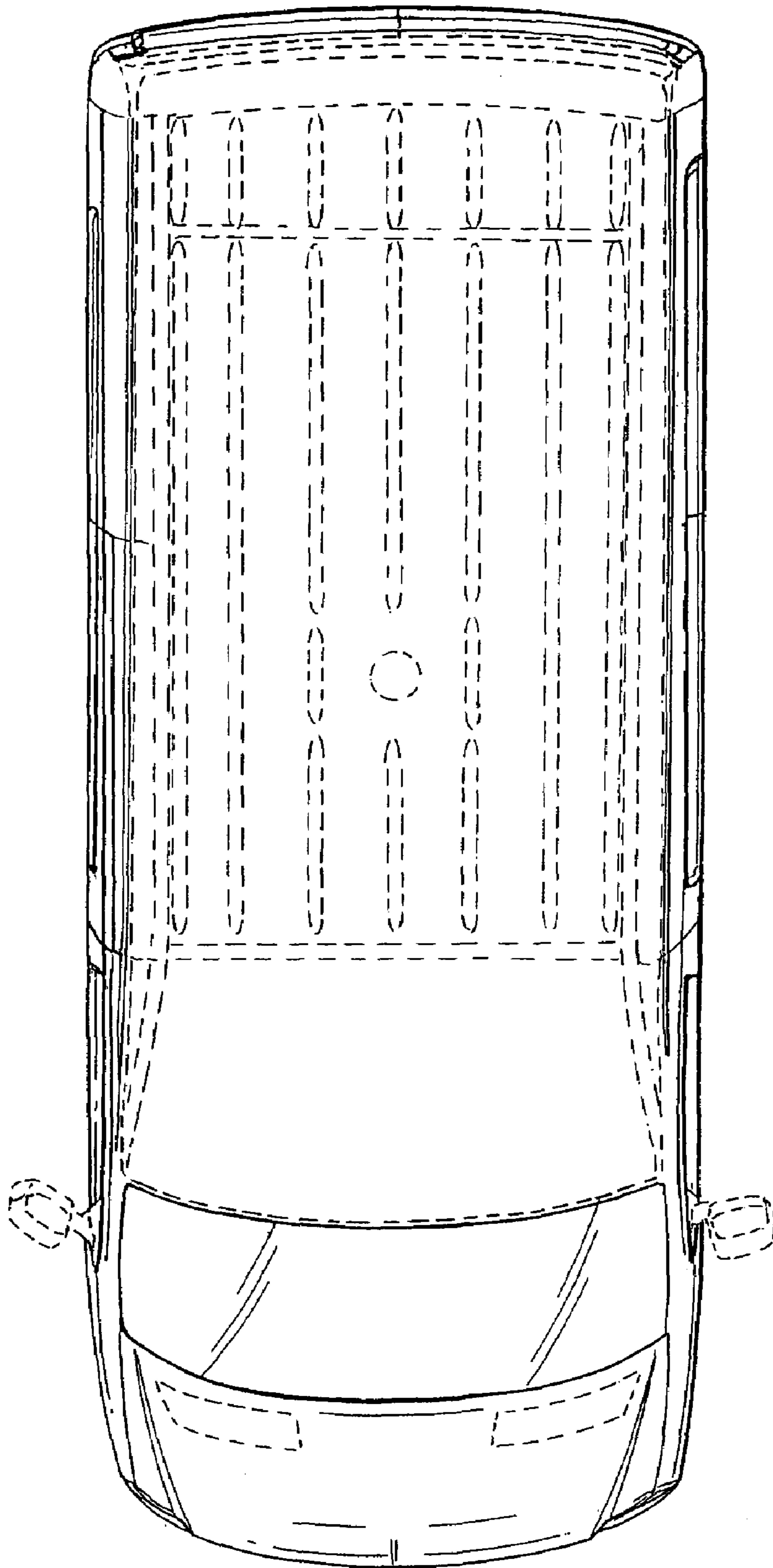


FIG. 12

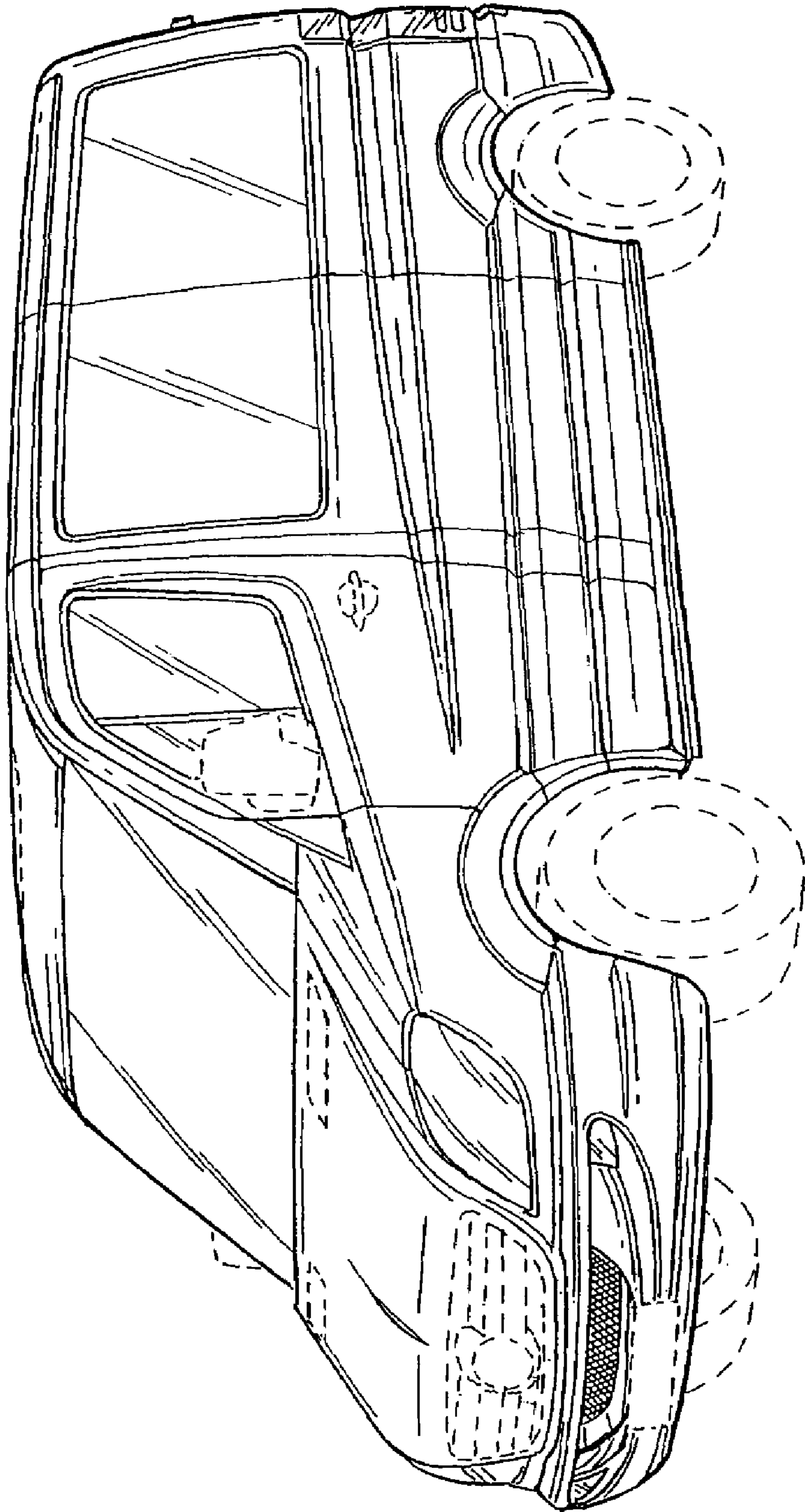


FIG. 13

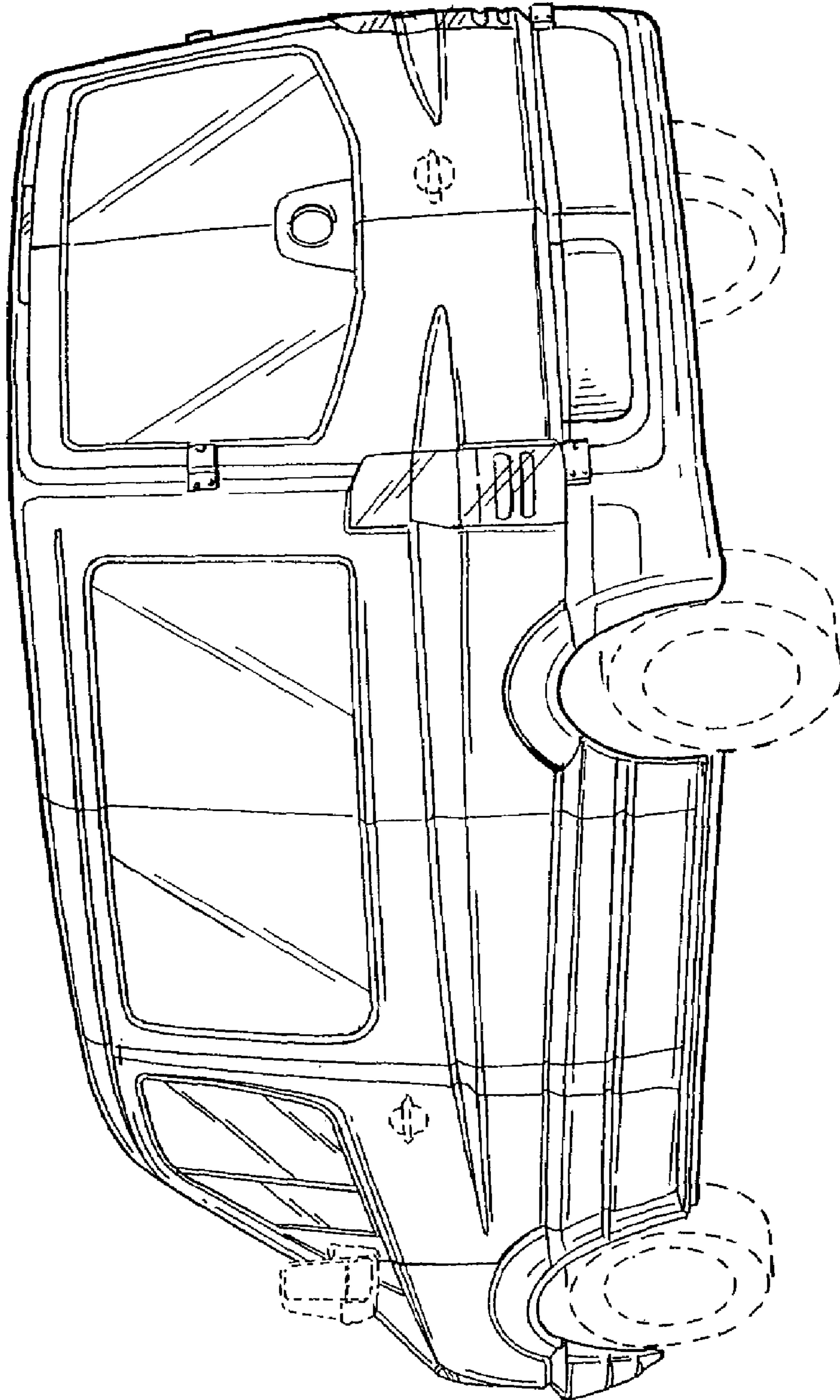


FIG. 14

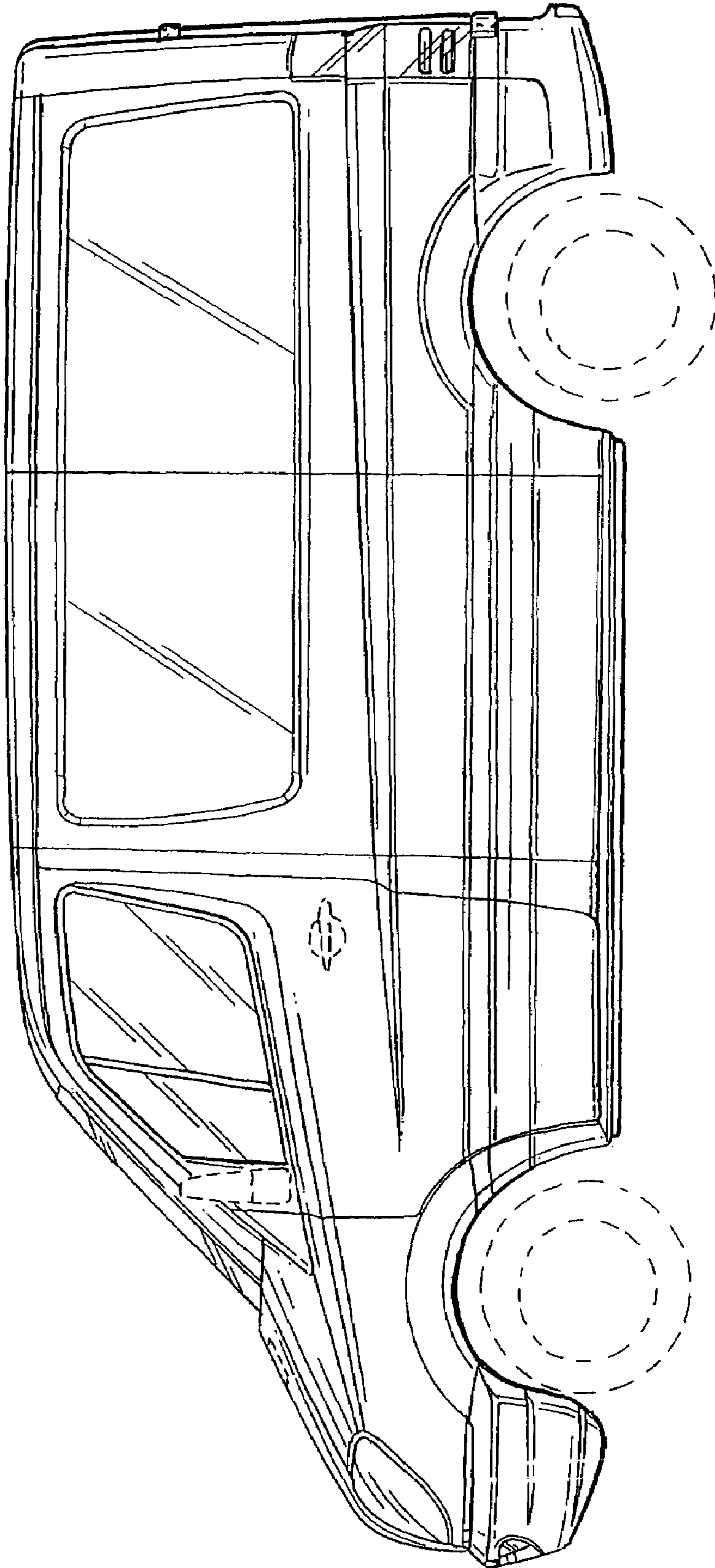


FIG. 15

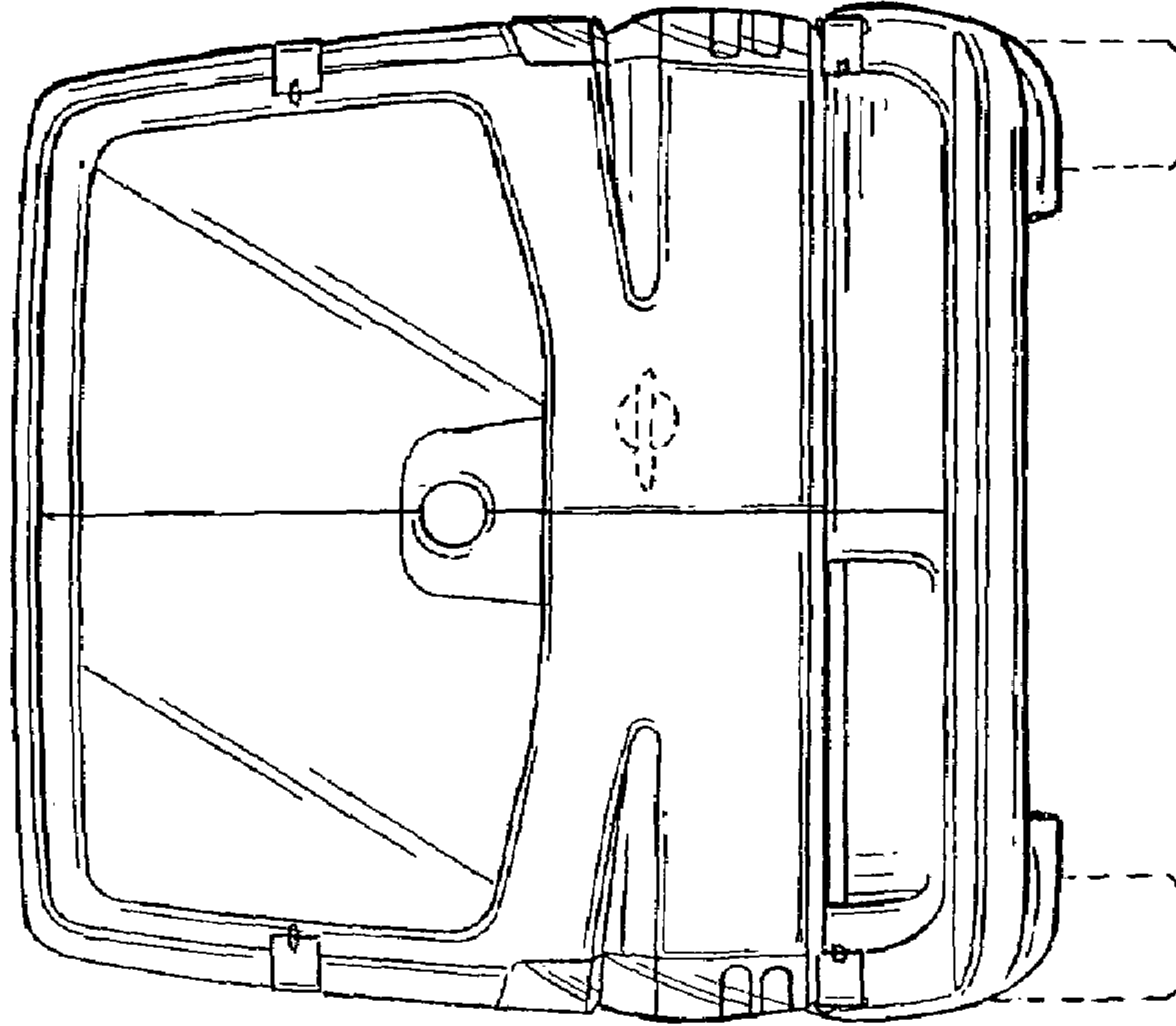


FIG. 17

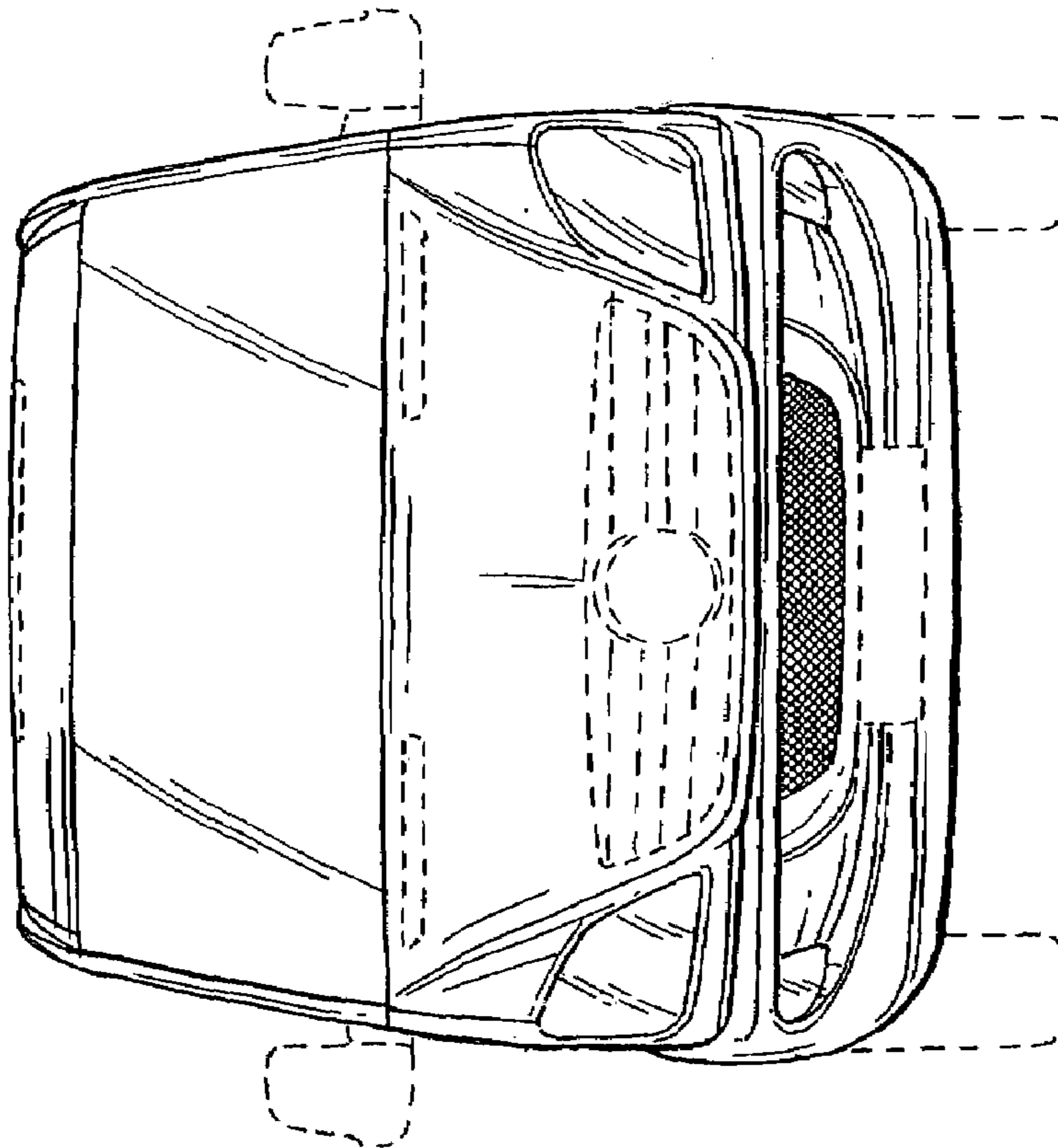


FIG. 16

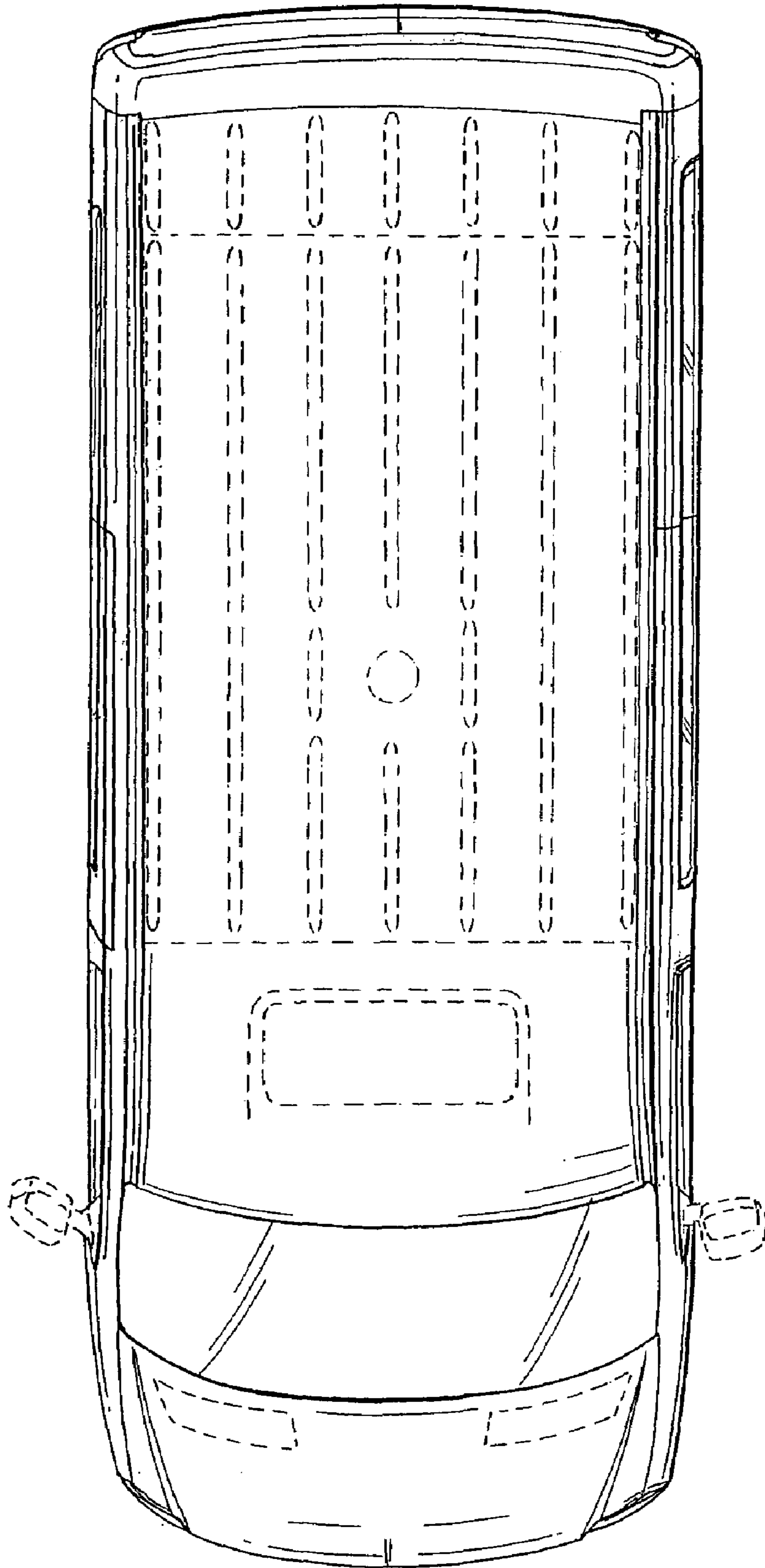


FIG. 18

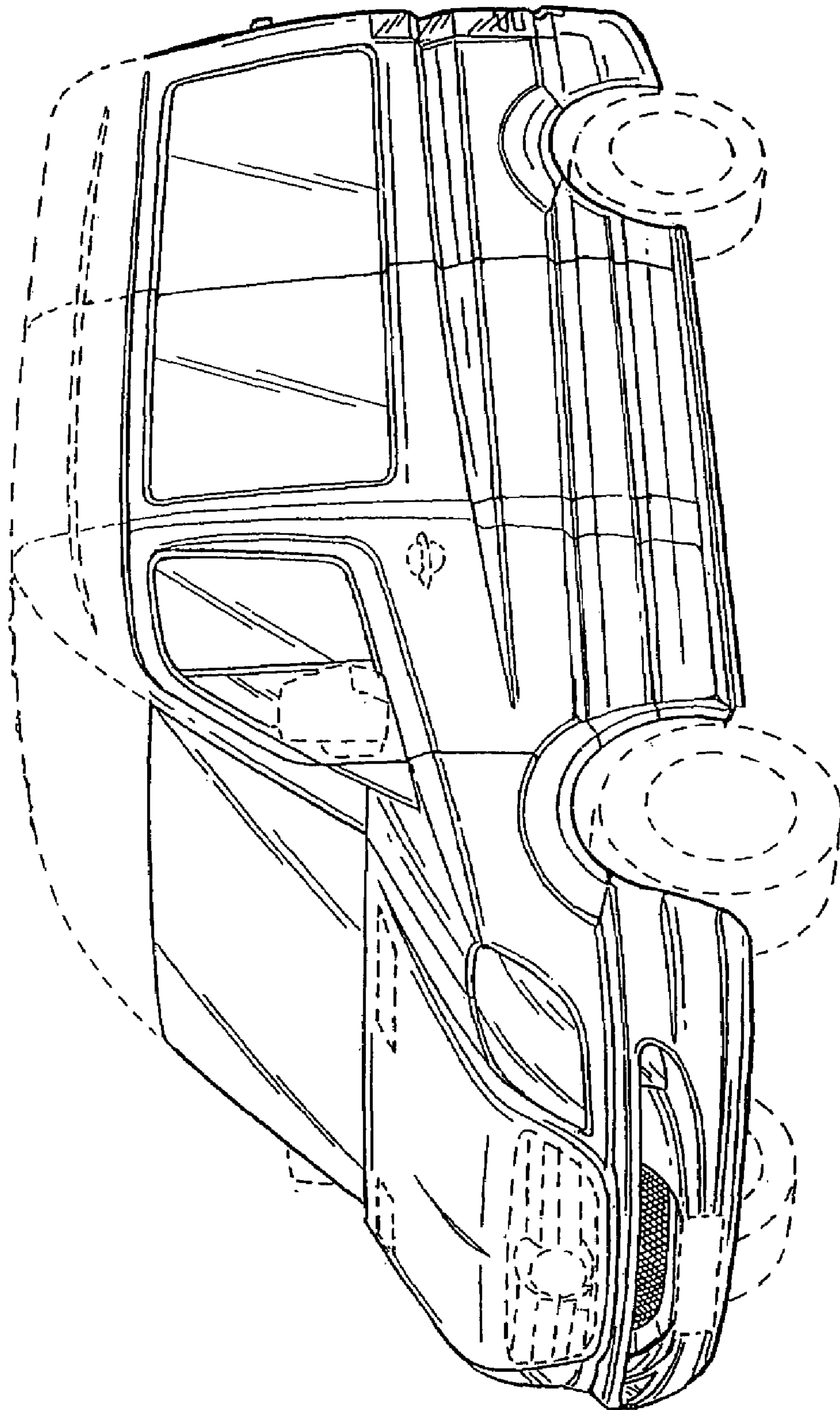


FIG. 19

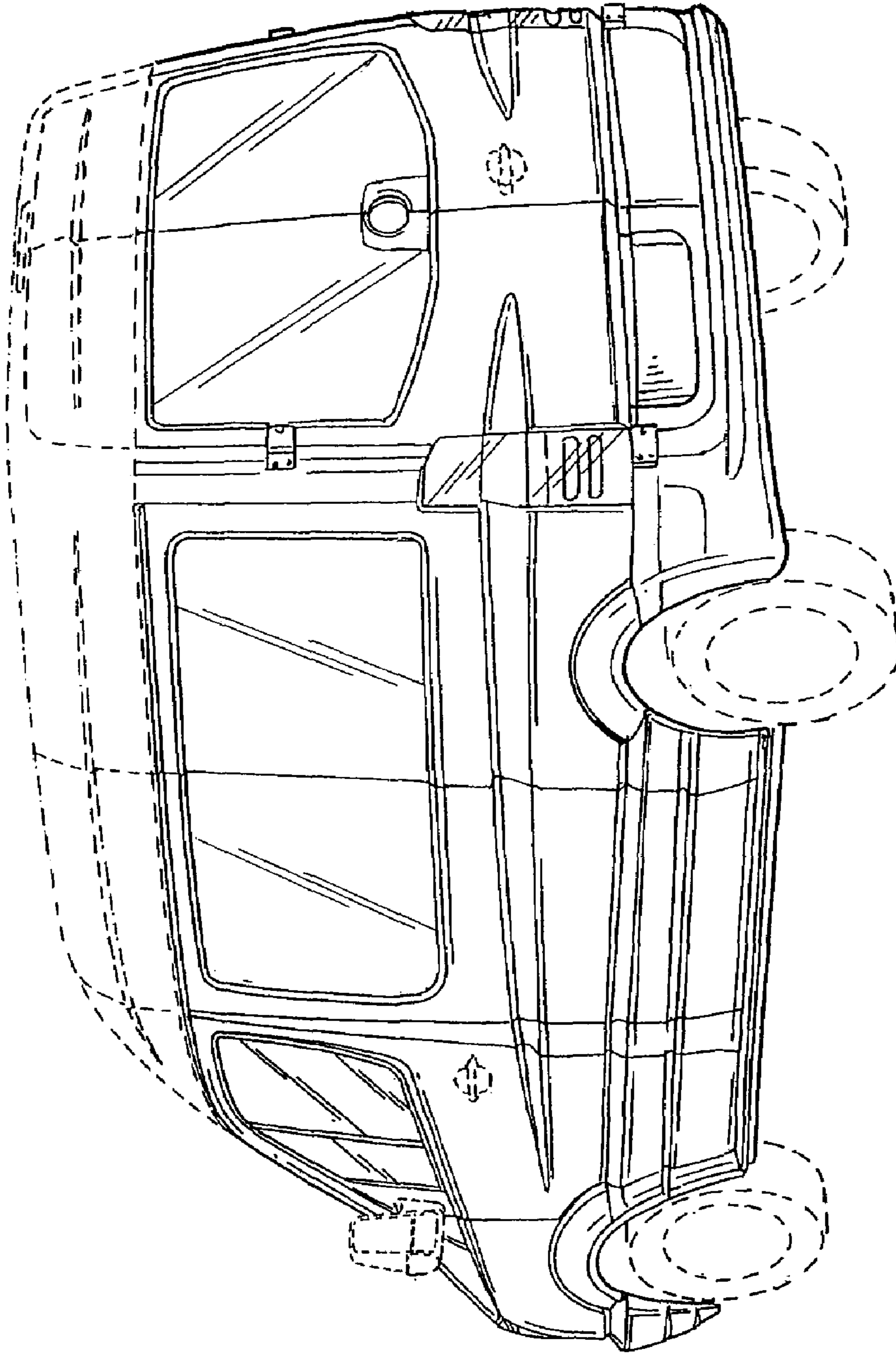


FIG. 20

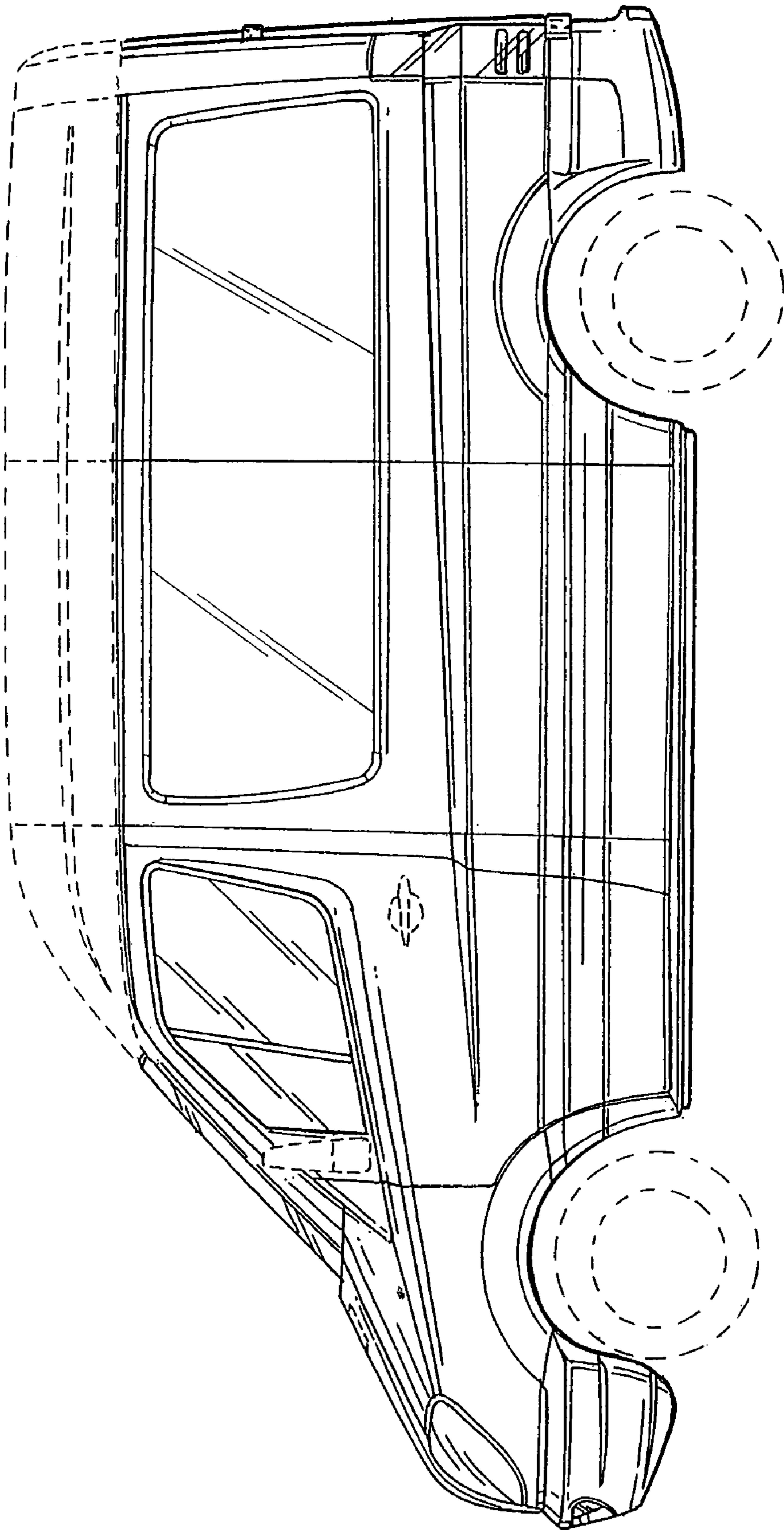


FIG. 21

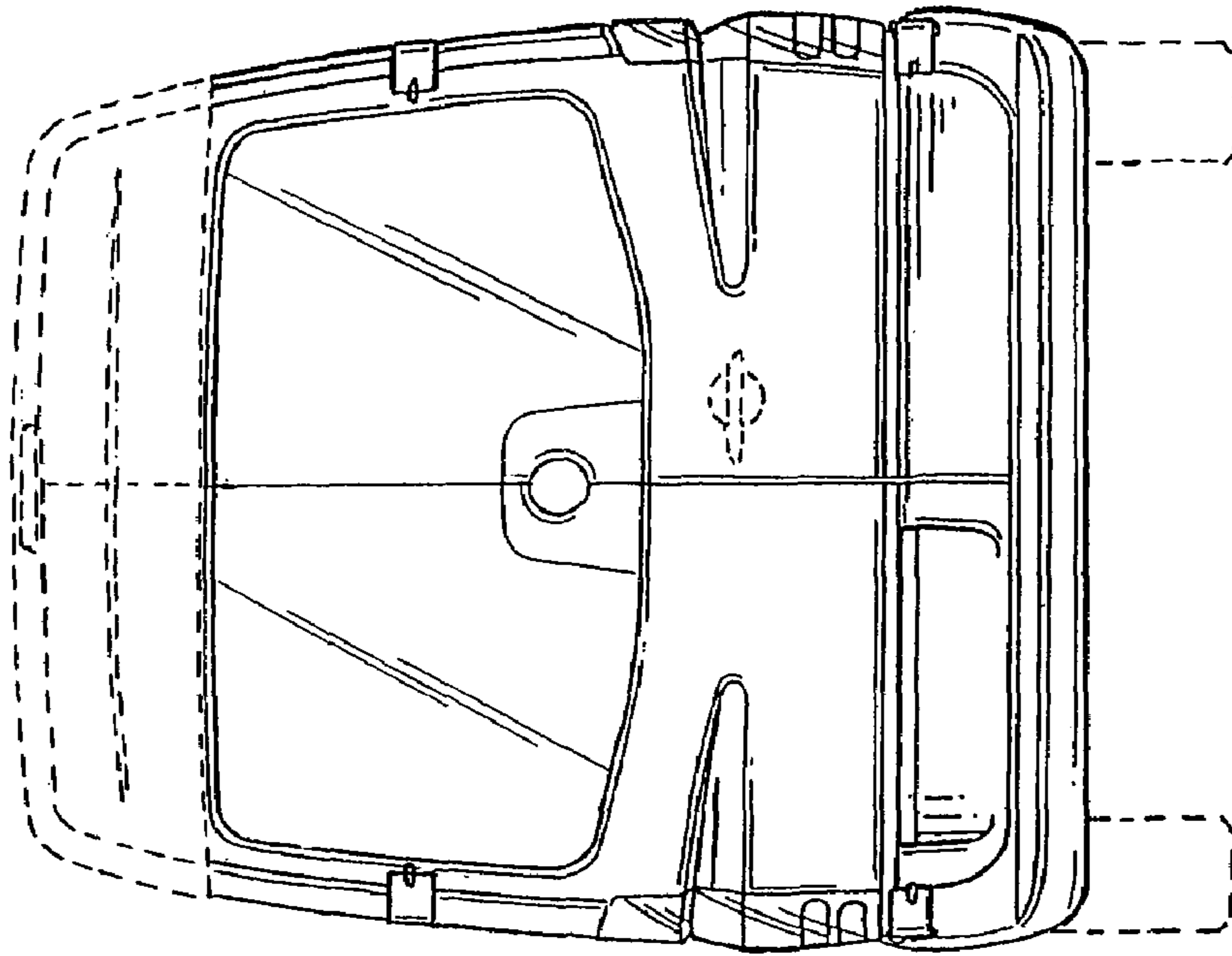


FIG. 23

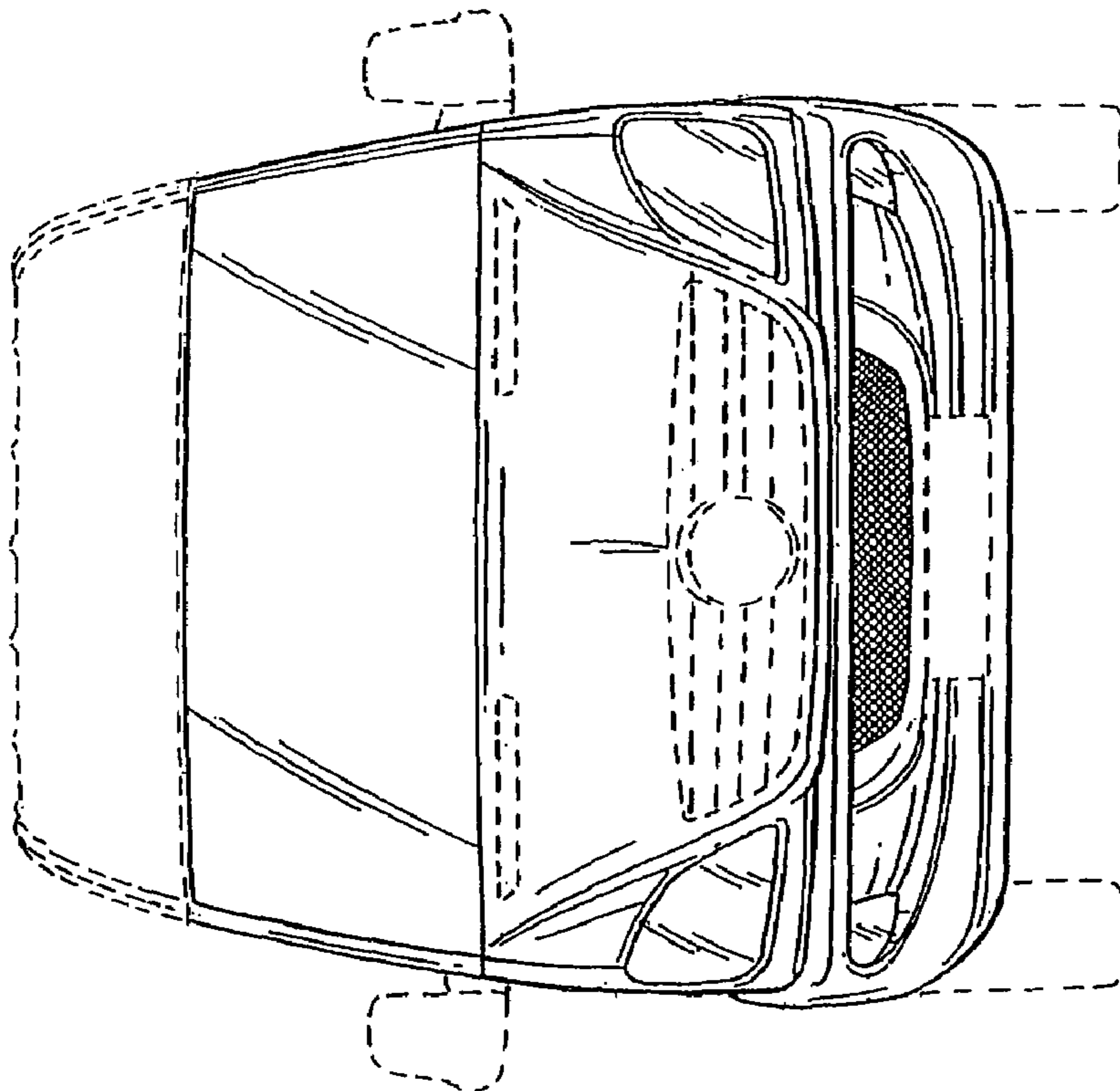


FIG. 22

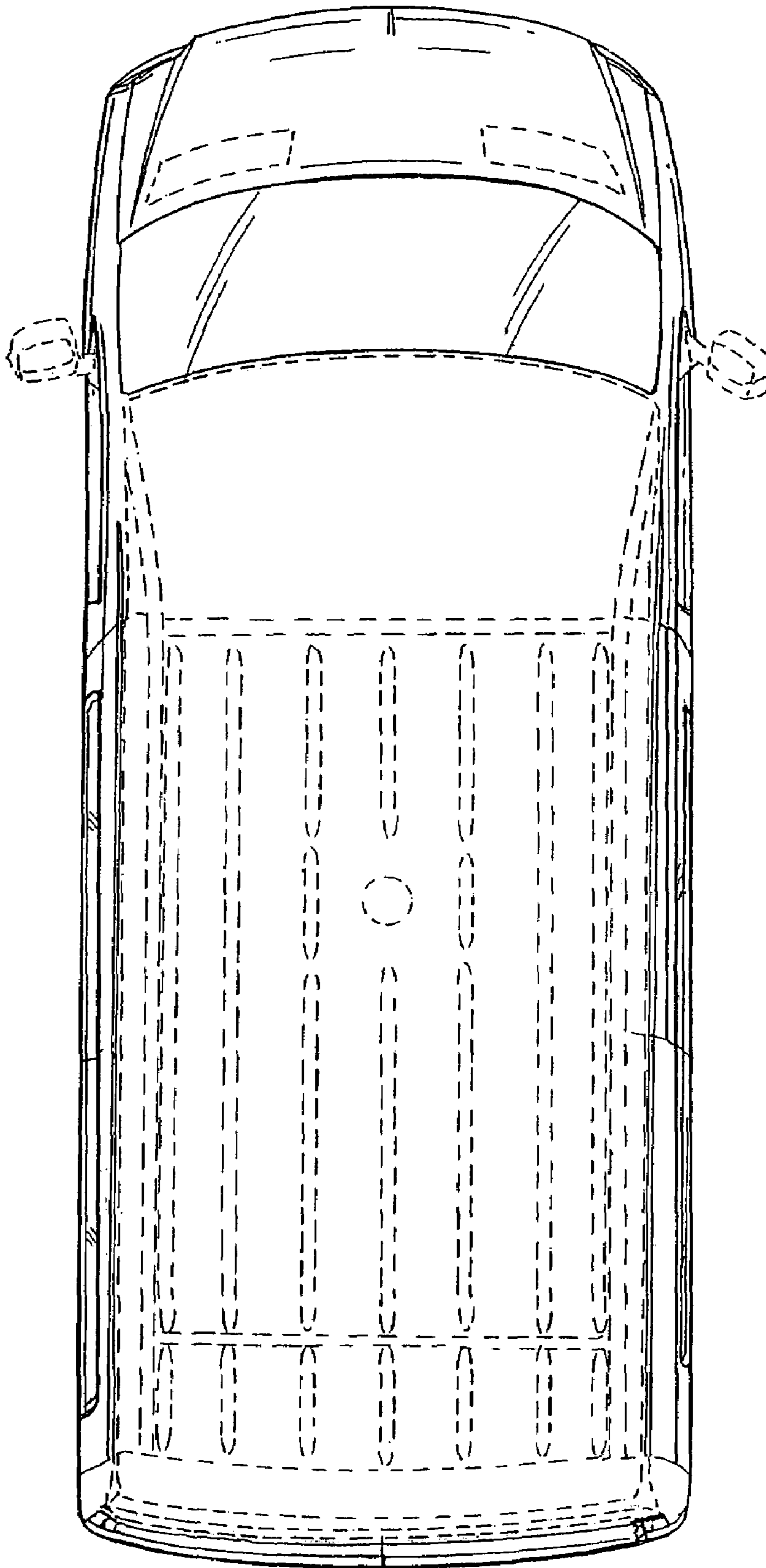


FIG. 24