



US00D550117S

(12) **United States Design Patent** (10) **Patent No.:** **US D550,117 S**
Swarovski (45) **Date of Patent:** **** Sep. 4, 2007**

(54) **ORNAMENT OBJECT MADE OF GLASS/GEMSTONE**

6,422,039 B2 7/2002 Bamminger et al.
D463,313 S 9/2002 Bamminger et al.

(75) Inventor: **Helmut Swarovski**, Fritzens (AT)

(Continued)

(73) Assignee: **Swarovski Aktiengesellschaft**, Triesen (LI)

Primary Examiner—Ralf Seifert
(74) *Attorney, Agent, or Firm*—Wenderoth, Lind & Ponack, L.L.P.

(**) Term: **14 Years**

(57) **CLAIM**

(21) Appl. No.: **29/260,174**

I claim the ornamental design for an ornament object made of glass/gemstone, as shown and described.

(22) Filed: **May 22, 2006**

Related U.S. Application Data

(62) Division of application No. 29/211,811, filed on Aug. 23, 2004, now Pat. No. Des. 533,103.

DESCRIPTION

(30) **Foreign Application Priority Data**

Feb. 24, 2004 (EP) 137450

(51) **LOC (8) Cl.** **11-01**

(52) **U.S. Cl.** **D11/90**

(58) **Field of Classification Search** D11/1-2,
D11/26-29, 89-92; 63/26-28, 32
See application file for complete search history.

FIG. 1 is a front perspective view of an ornament object made of glass/gemstone according to a first embodiment of the present design;

FIG. 2 is a rear perspective view of the first embodiment;

FIG. 3 is a front view of the first embodiment;

FIG. 4 is a rear view of the first embodiment;

FIG. 5 is a bottom view of the first embodiment;

FIG. 6 is a rear view of the first embodiment;

FIG. 7 is a left side view of the first embodiment; and

FIG. 8 is a right side view of the first embodiment;

FIG. 9 is a front perspective view of an ornament object made of glass/gemstone according to a third embodiment of the present design;

FIG. 10 is a rear perspective view of the second embodiment;

FIG. 11 is a front view of the second embodiment;

FIG. 12 is a rear view of the second embodiment;

FIG. 13 is a bottom view of the second embodiment;

FIG. 14 is a top view of the second embodiment;

FIG. 15 is a left side view of the second embodiment; and,

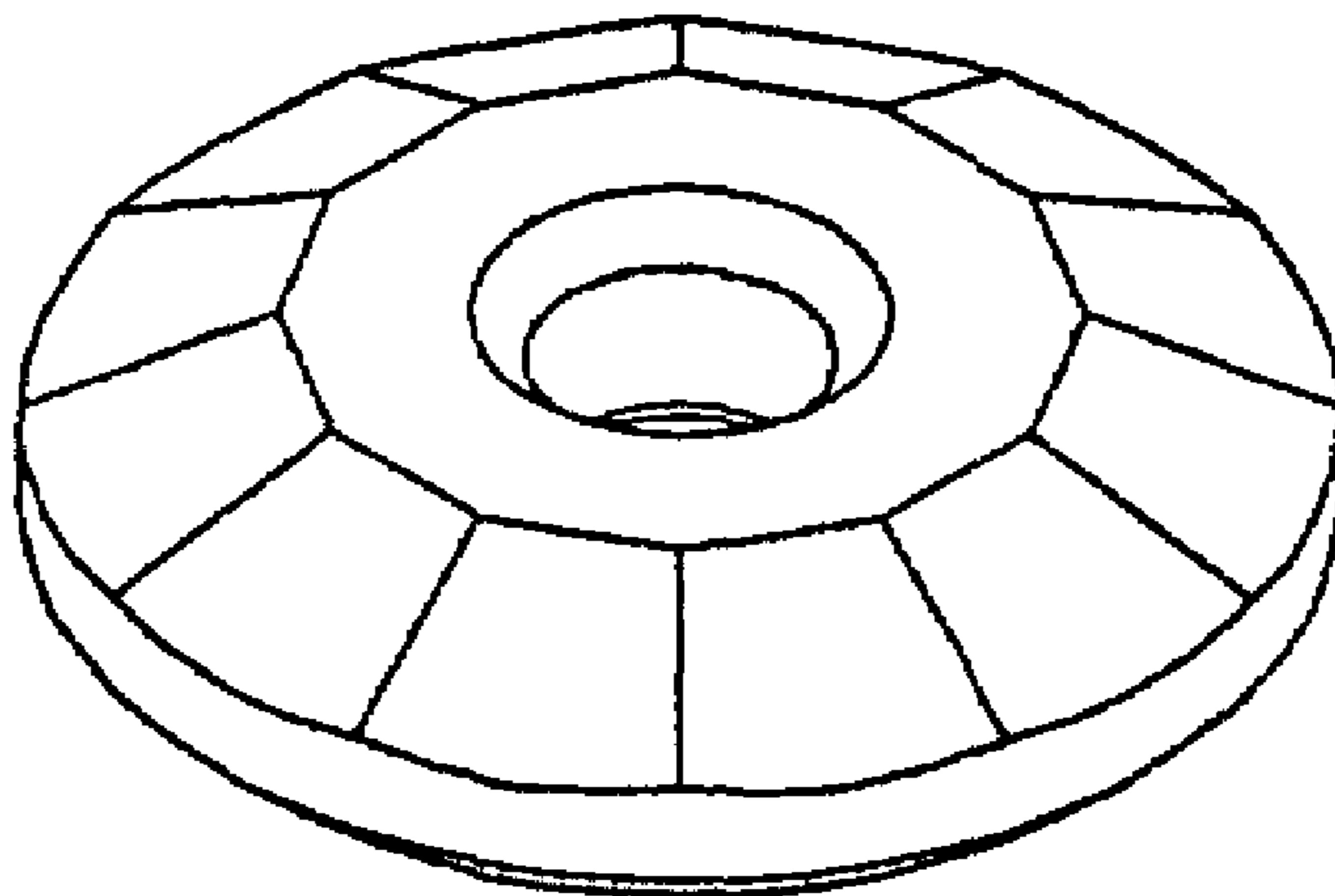
FIG. 16 is a right side view of the second embodiment.

(56) **References Cited**

U.S. PATENT DOCUMENTS

D407,036 S	3/1999	Reisigl
D409,944 S	5/1999	Reisigl
D430,060 S	8/2000	Kavalek
D431,794 S	10/2000	Reisigl
D434,341 S	11/2000	Kavalek
D434,691 S	12/2000	Swarovski
D435,477 S	12/2000	Kavalek
D440,522 S	4/2001	Swarovski
D441,684 S	5/2001	Kavalek
D441,685 S	5/2001	Koucky et al.
D442,513 S	5/2001	Kavalek
D442,881 S	5/2001	Kavalek
D460,376 S	7/2002	Bamminger et al.

1 Claim, 2 Drawing Sheets



US D550,117 S

Page 2

U.S. PATENT DOCUMENTS

D482,985 S 12/2003 Bombeke
D487,411 S 3/2004 Bamminger et al.
D487,712 S 3/2004 Bamminger et al.

6,705,114 B2 3/2004 Steiner
D511,987 S 11/2005 Swarovski
D533,103 S * 12/2006 Swarovski D11/90

* cited by examiner

Fig. 1

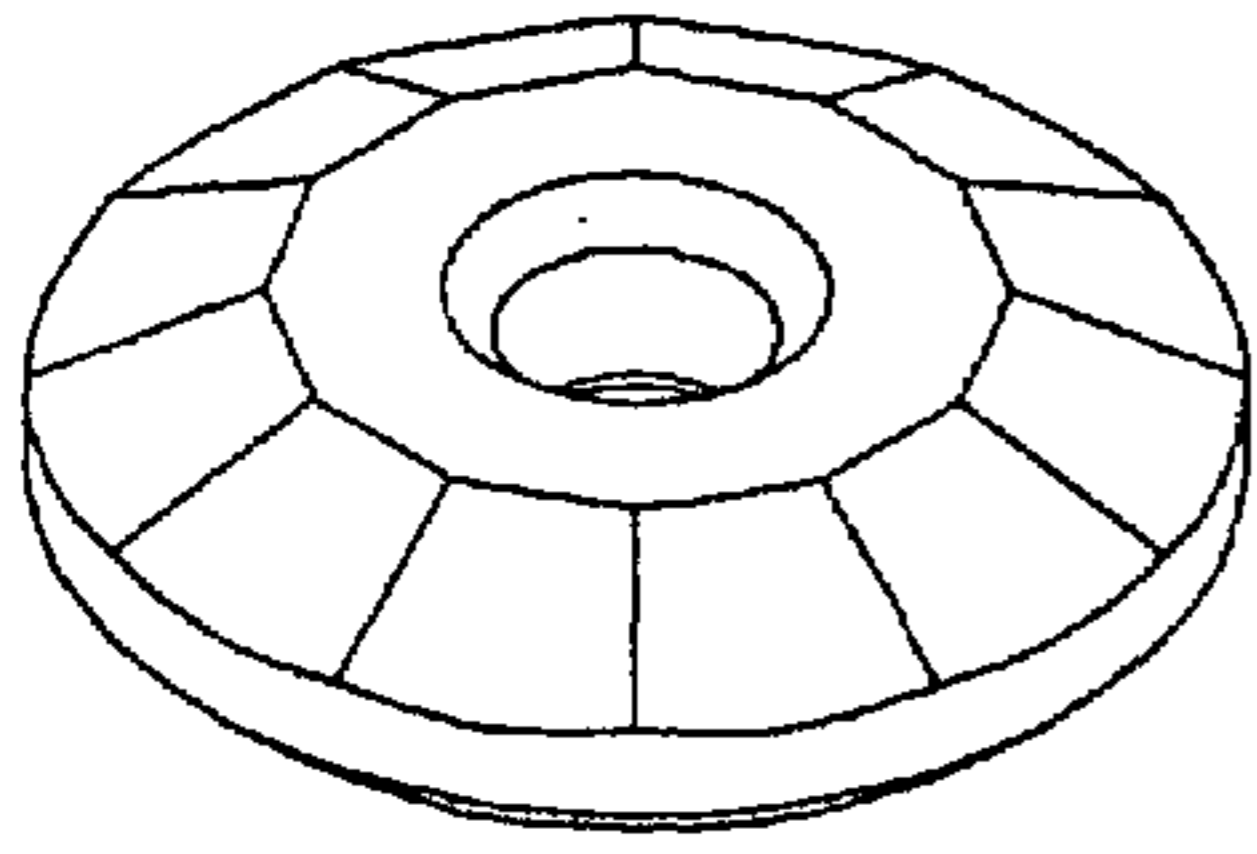


Fig. 2

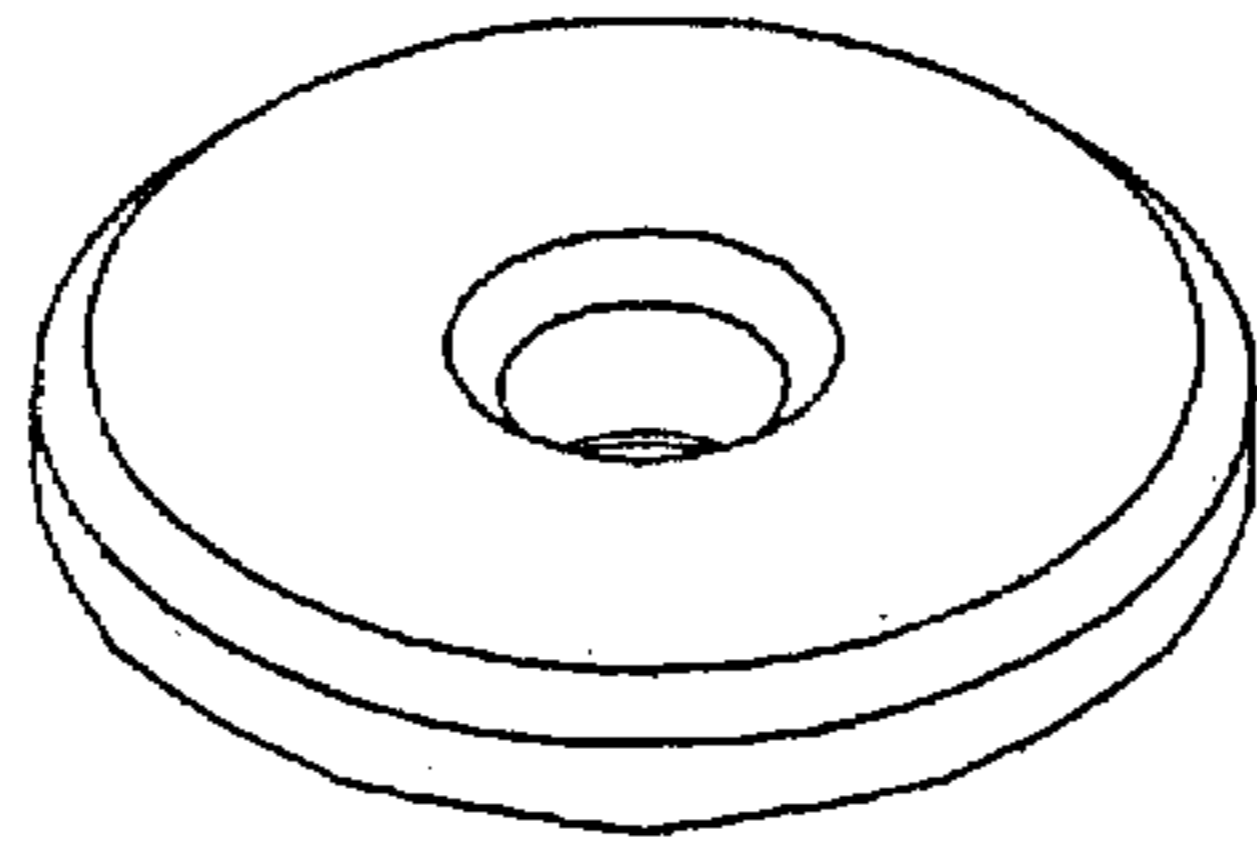


Fig. 3

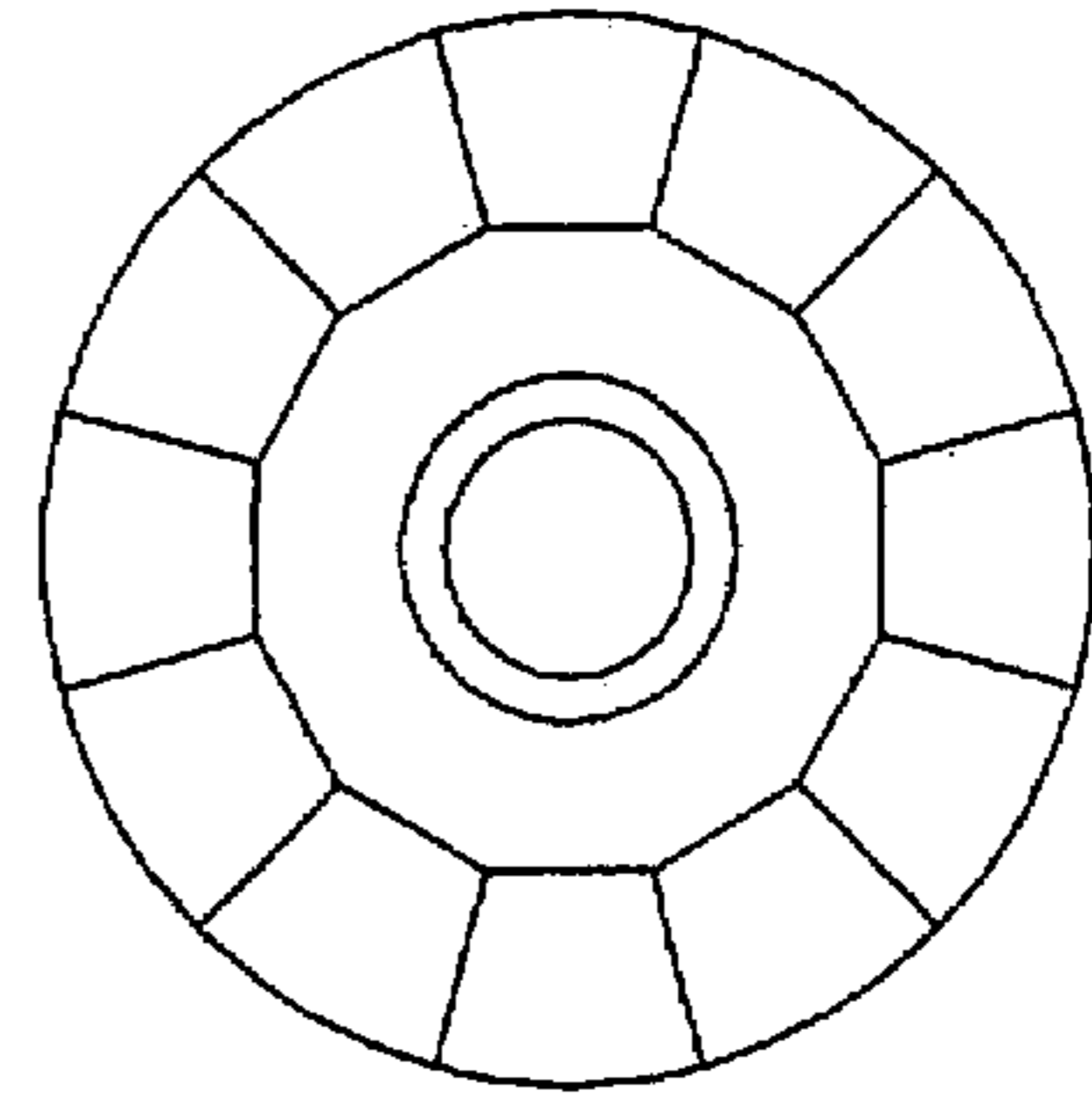


Fig. 4

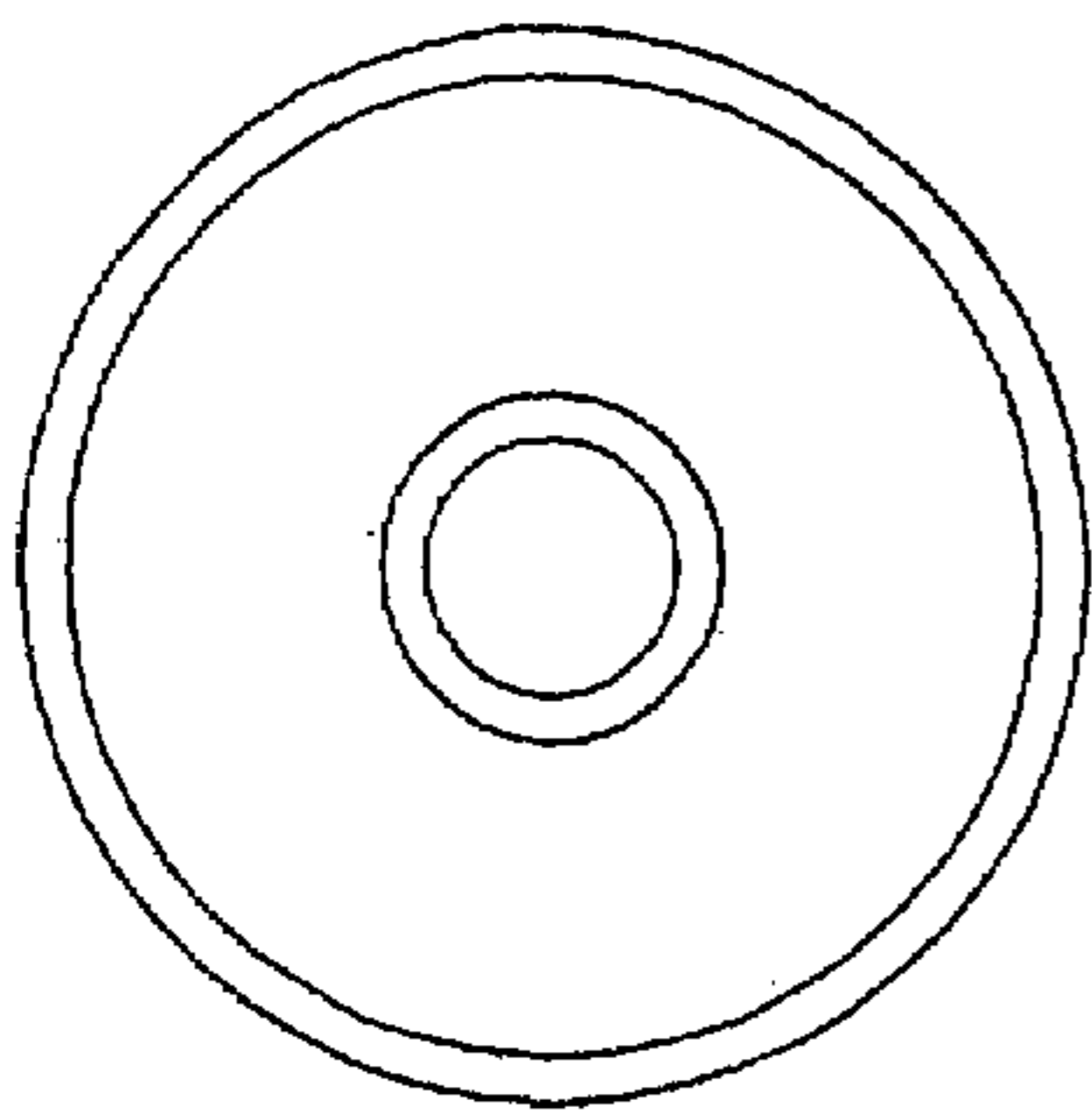


Fig. 5



Fig. 6

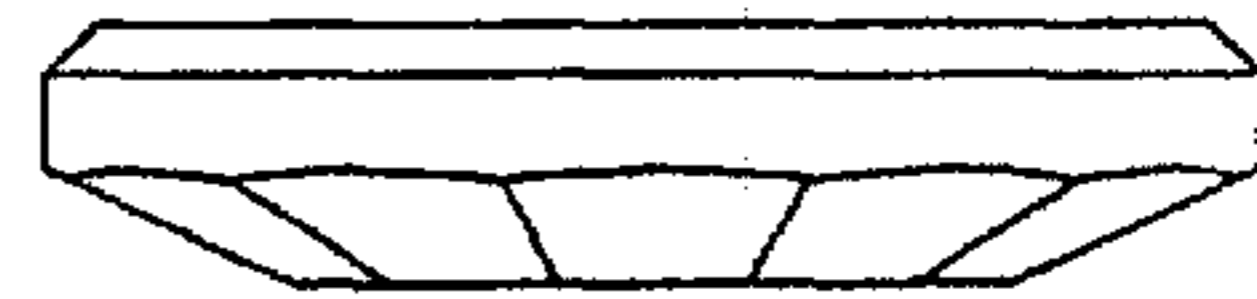


Fig. 7



Fig. 8

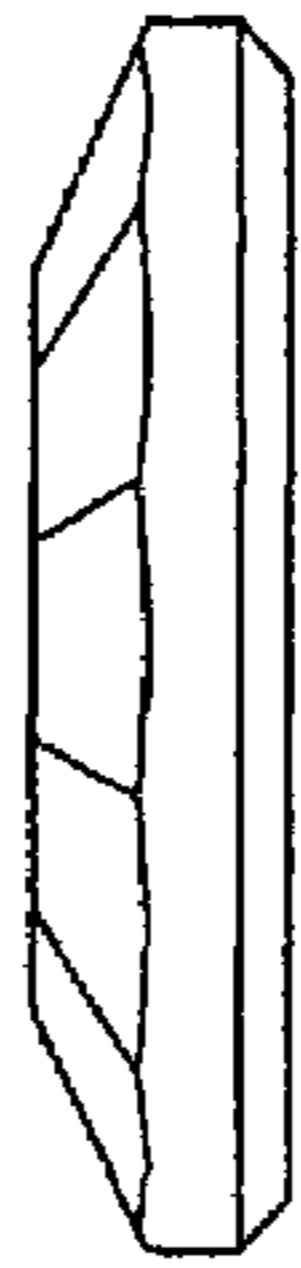


Fig. 9

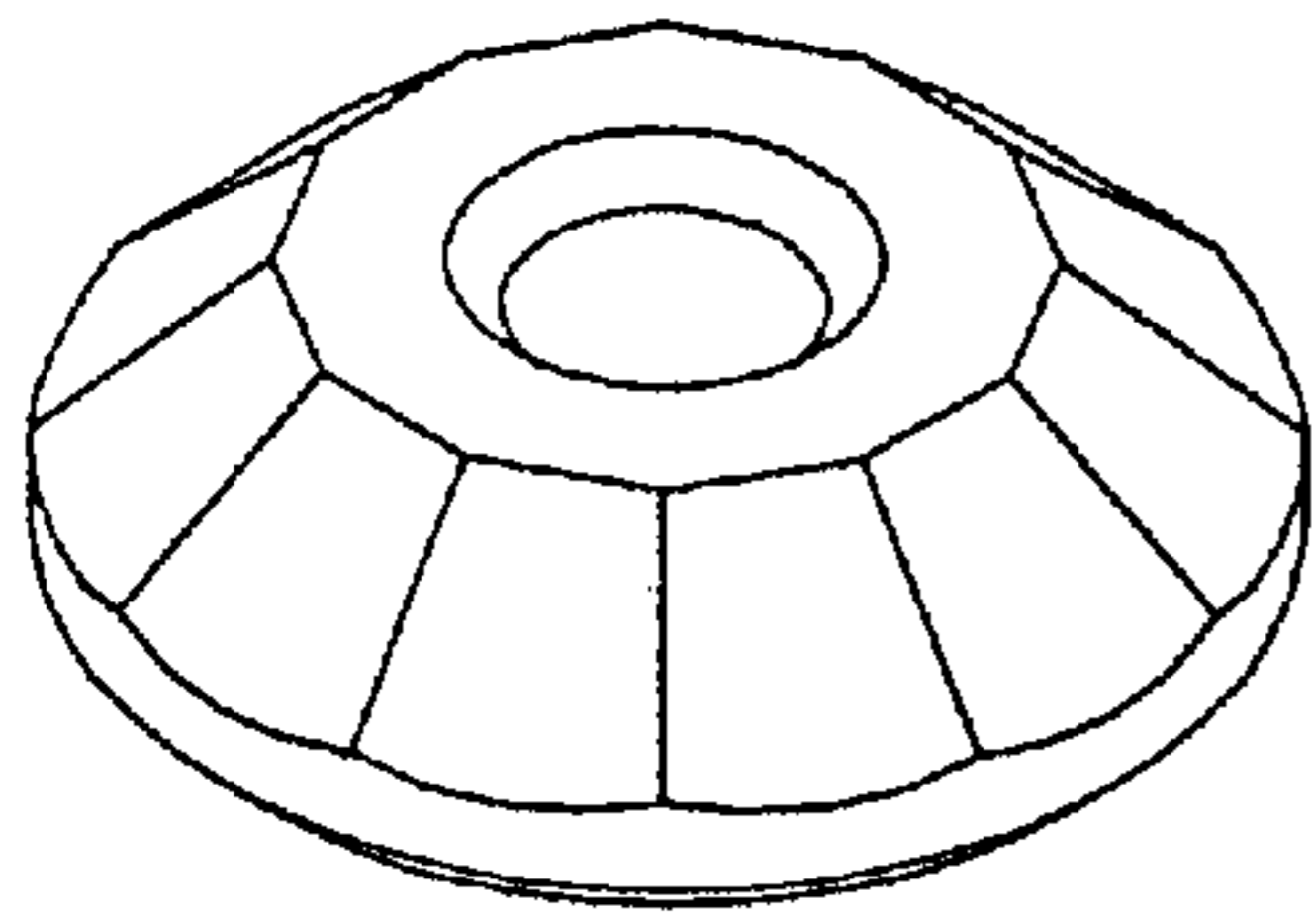


Fig. 10

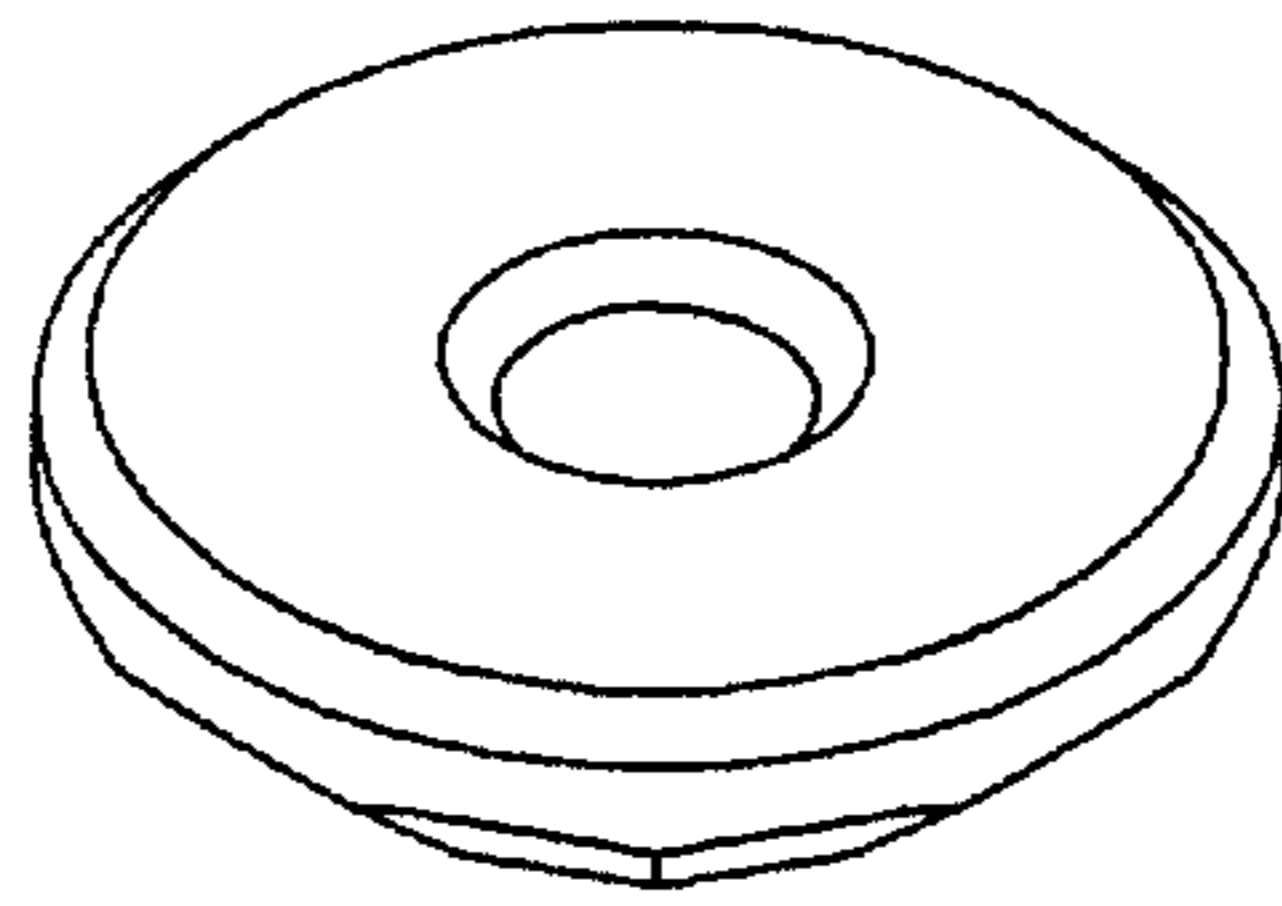


Fig. 11

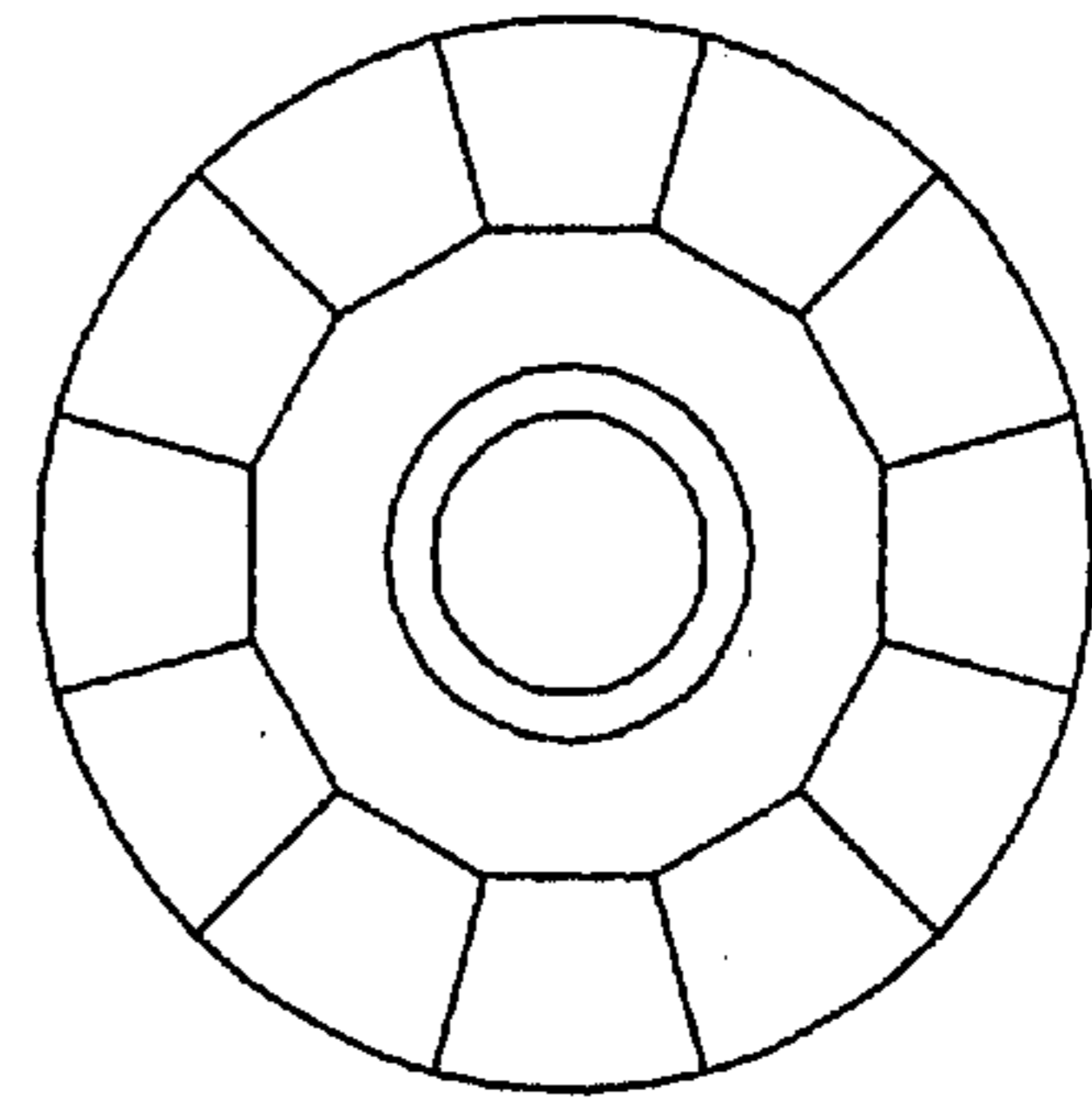


Fig. 12

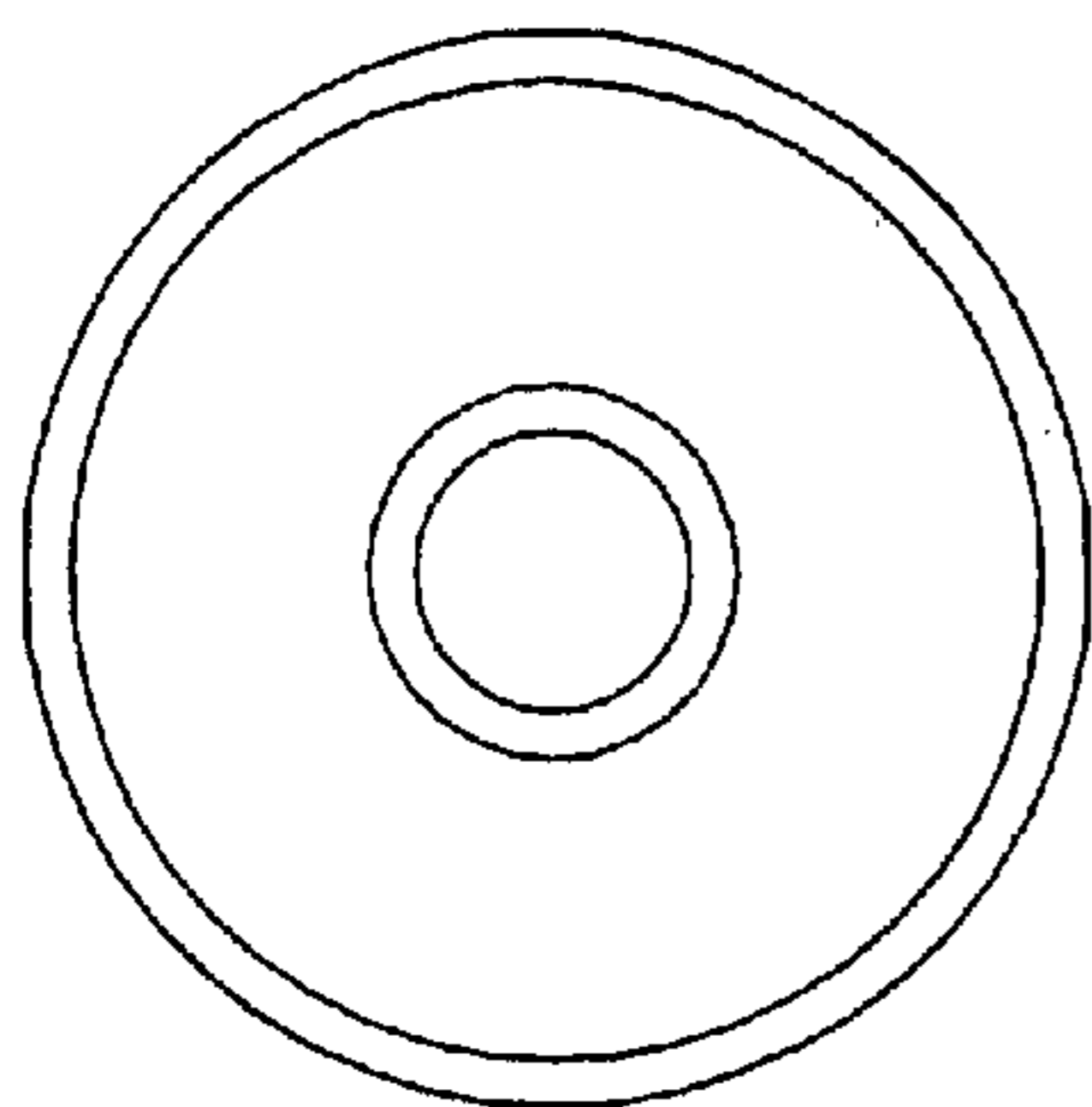


Fig. 13



Fig. 14



Fig. 15

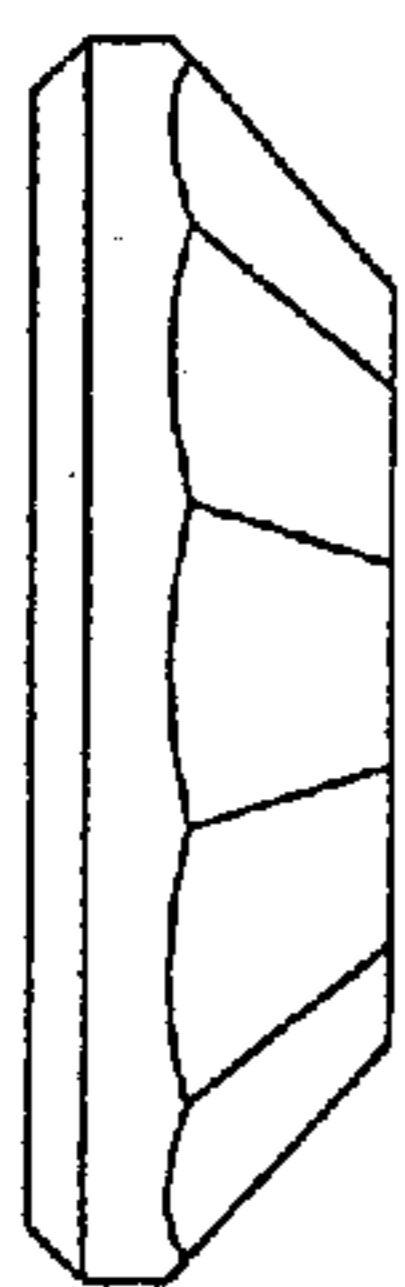


Fig. 16

