



US00D550109S

(12) **United States Design Patent**
Kesselman

(10) **Patent No.:** **US D550,109 S**

(45) **Date of Patent:** **** Sep. 4, 2007**

(54) **CIGARETTE CASE WITH SCALE**

(76) Inventor: **Joshua D. Kesselman**, 1580 Rand Avenue, Vancouver, BC Canada (CA) V6P 3G2

(**) Term: **14 Years**

(21) Appl. No.: **29/277,470**

(22) Filed: **Feb. 27, 2007**

(51) **LOC (8) Cl.** **10-04**

(52) **U.S. Cl.** **D10/91**

(58) **Field of Classification Search** D10/91;
177/238-245, 210 R, 210 C, 25, 30, 25.13,
177/25.15, 25.16, 126-127, DIG. 3; 600/506,
600/547

See application file for complete search history.

(56) **References Cited**

U.S. PATENT DOCUMENTS

D472,833 S *	4/2003	Thadani	D10/91
D520,891 S *	5/2006	Motomizu et al.	D10/91
D521,889 S *	5/2006	Kesselman	D10/91
D521,890 S *	5/2006	Motomizu et al.	D10/91
D531,075 S *	10/2006	Vantine	D10/92

* cited by examiner

Primary Examiner—Antoine D. Davis

(74) *Attorney, Agent, or Firm*—Christine Q. McLeod; Beusse Wolter Sanks Mora & Maire

(57) **CLAIM**

The ornamental design for a cigarette case with scale, as shown and described.

DESCRIPTION

FIG. 1 is a front right perspective view of a cigarette case with scale hereof in a closed position, the front left perspective view being a mirror image thereof;

FIG. 2 is a front right perspective view of the cigarette case with scale hereof in an open position;

FIG. 3 is a top plan view of the cigarette case with scale hereof in an open position;

FIG. 4 is a bottom plan view of the cigarette case with scale hereof in an open position;

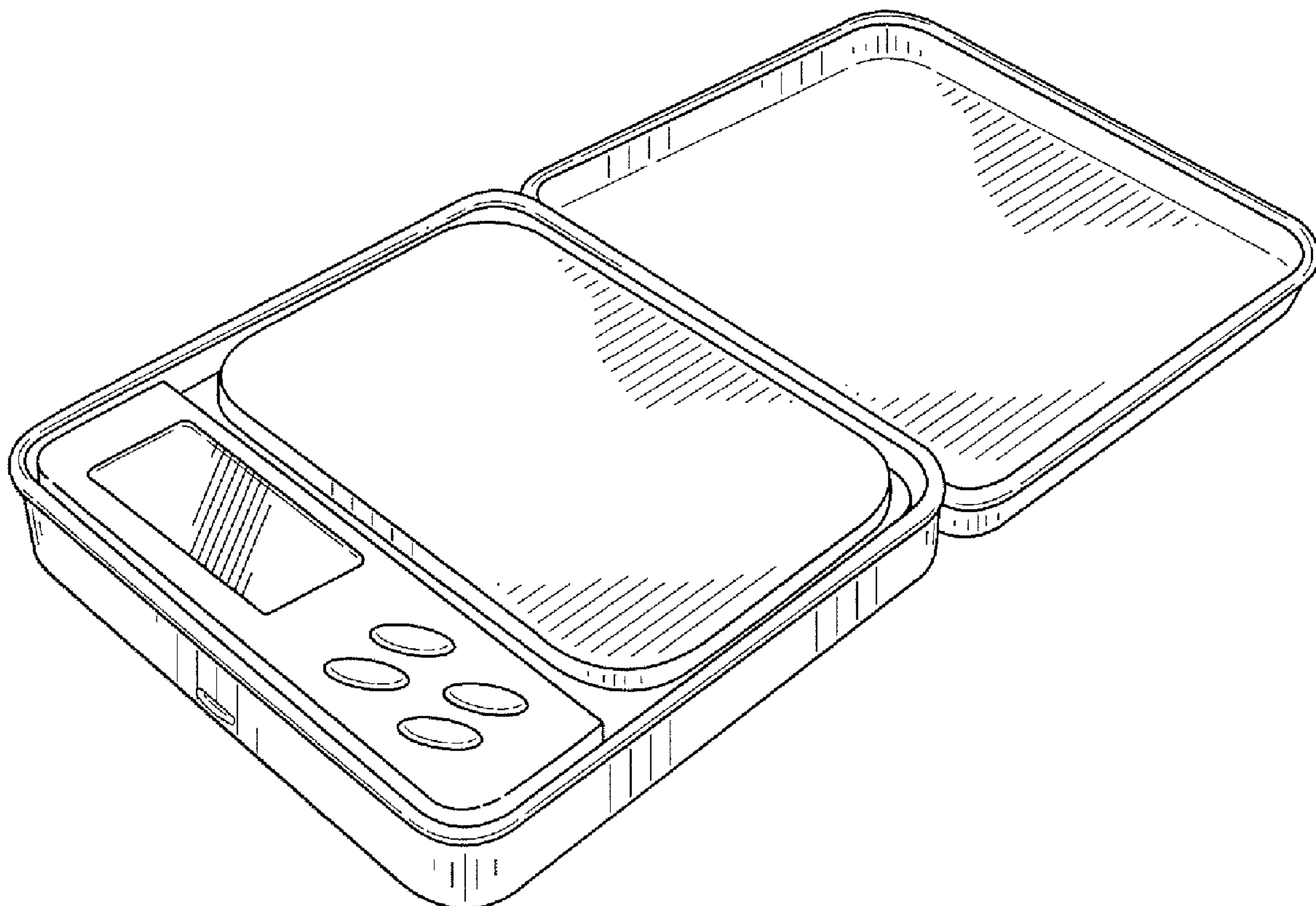
FIG. 5 is a left side view of the cigarette case with scale hereof in an open position;

FIG. 6 is a right side view of the cigarette case with scale hereof in an open position;

FIG. 7 is a front plan view of the cigarette case with scale hereof in an open position; and,

FIG. 8 is a rear plan view of the cigarette case with scale hereof in an open position.

1 Claim, 6 Drawing Sheets



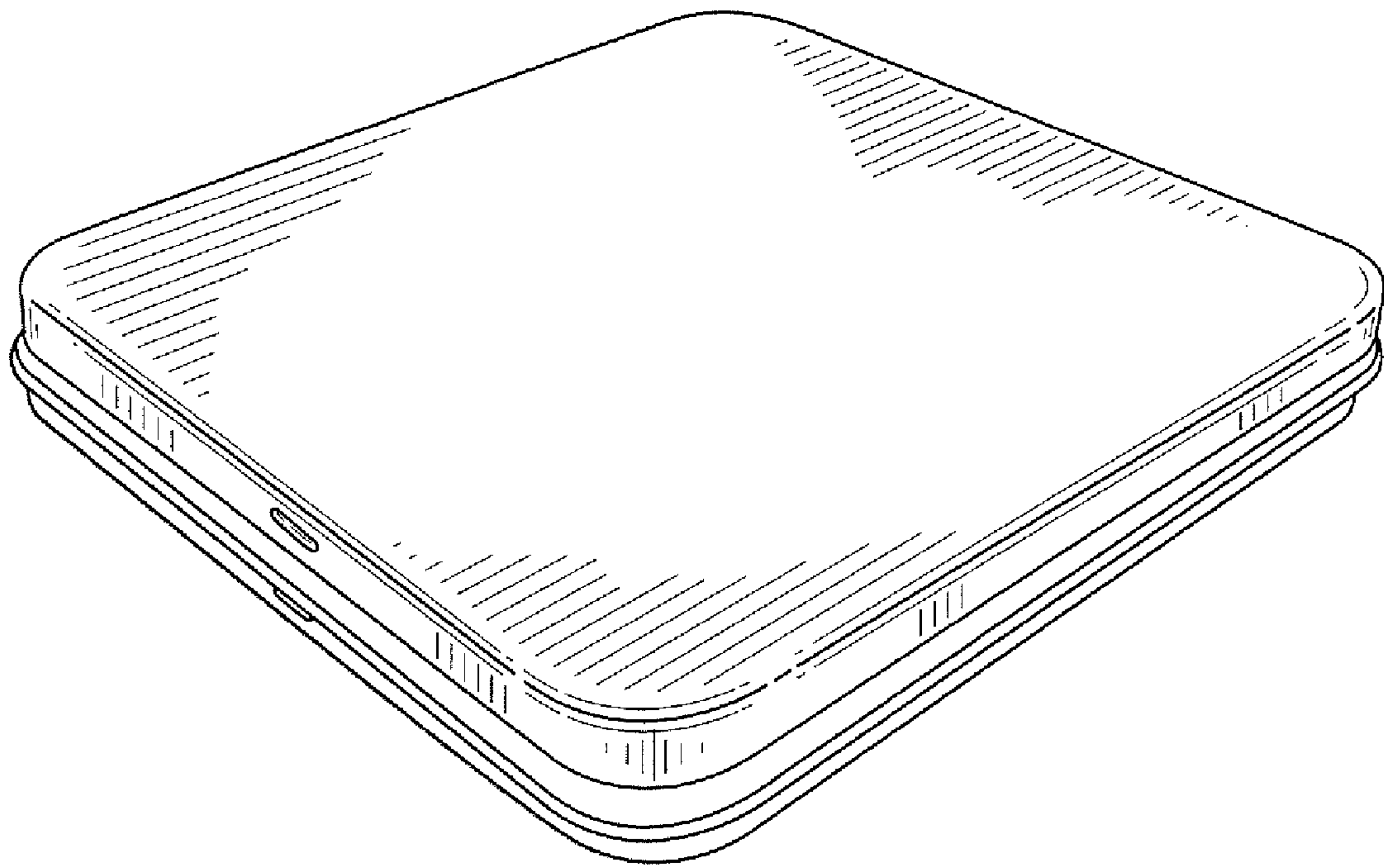


FIG. 1

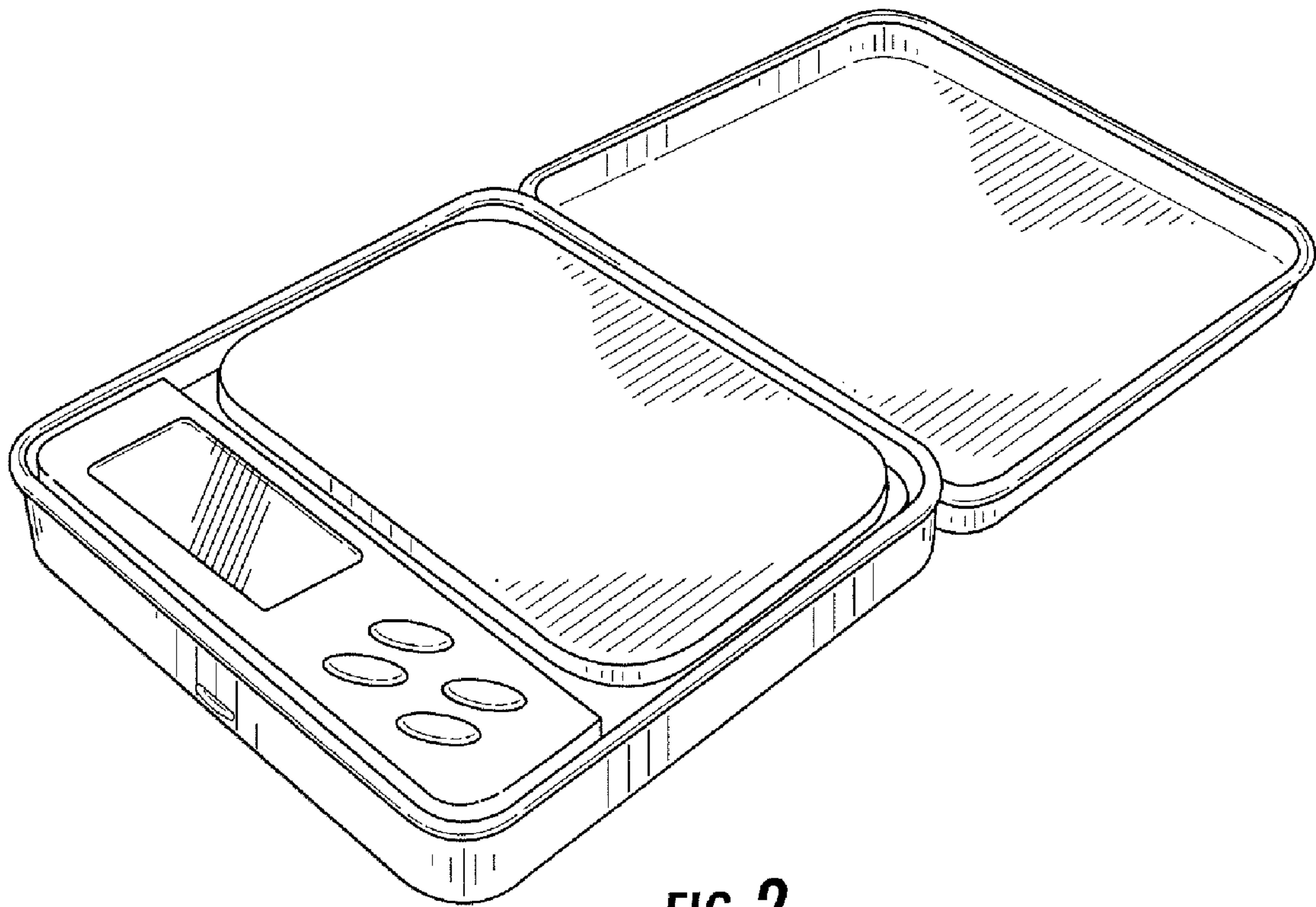


FIG. 2

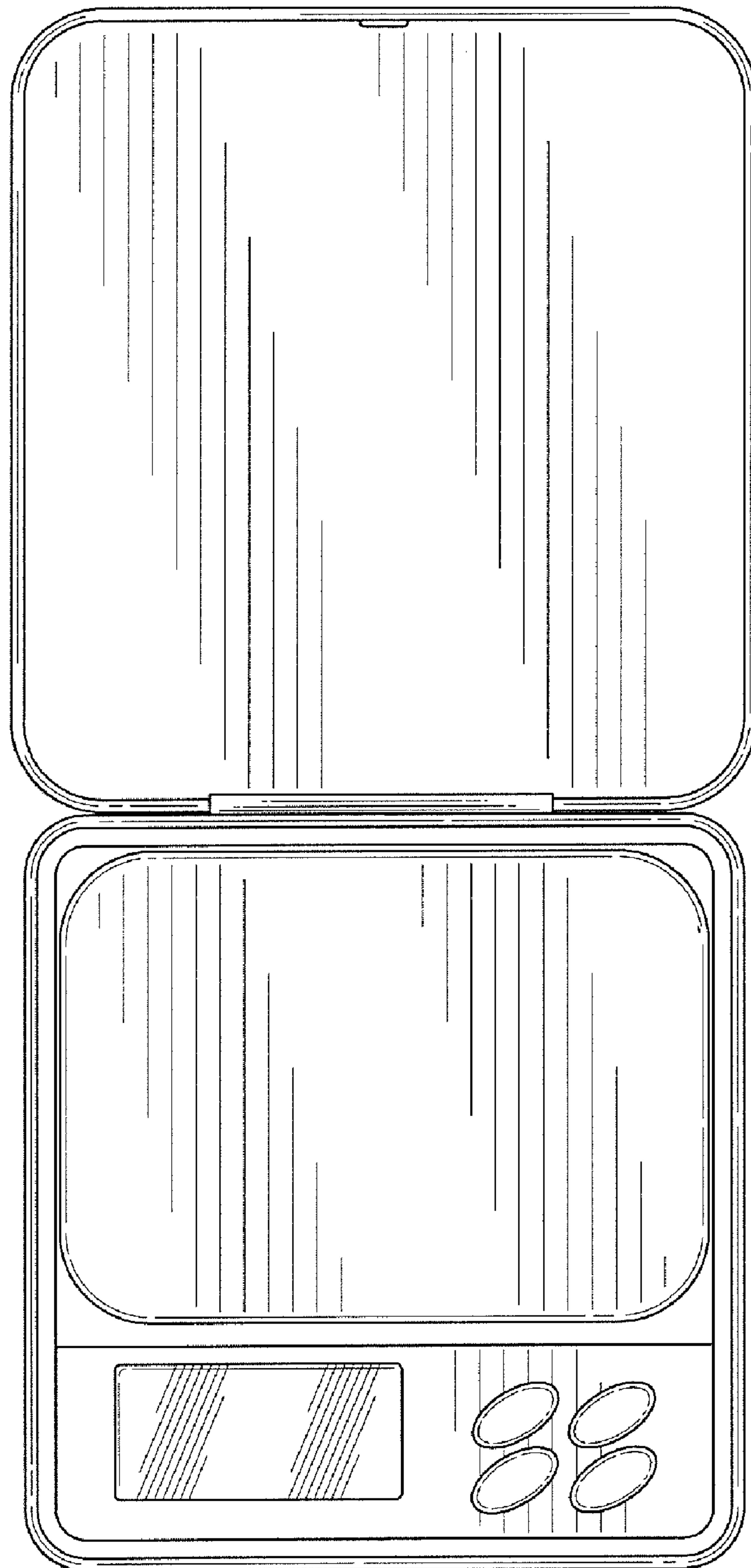


FIG. 3

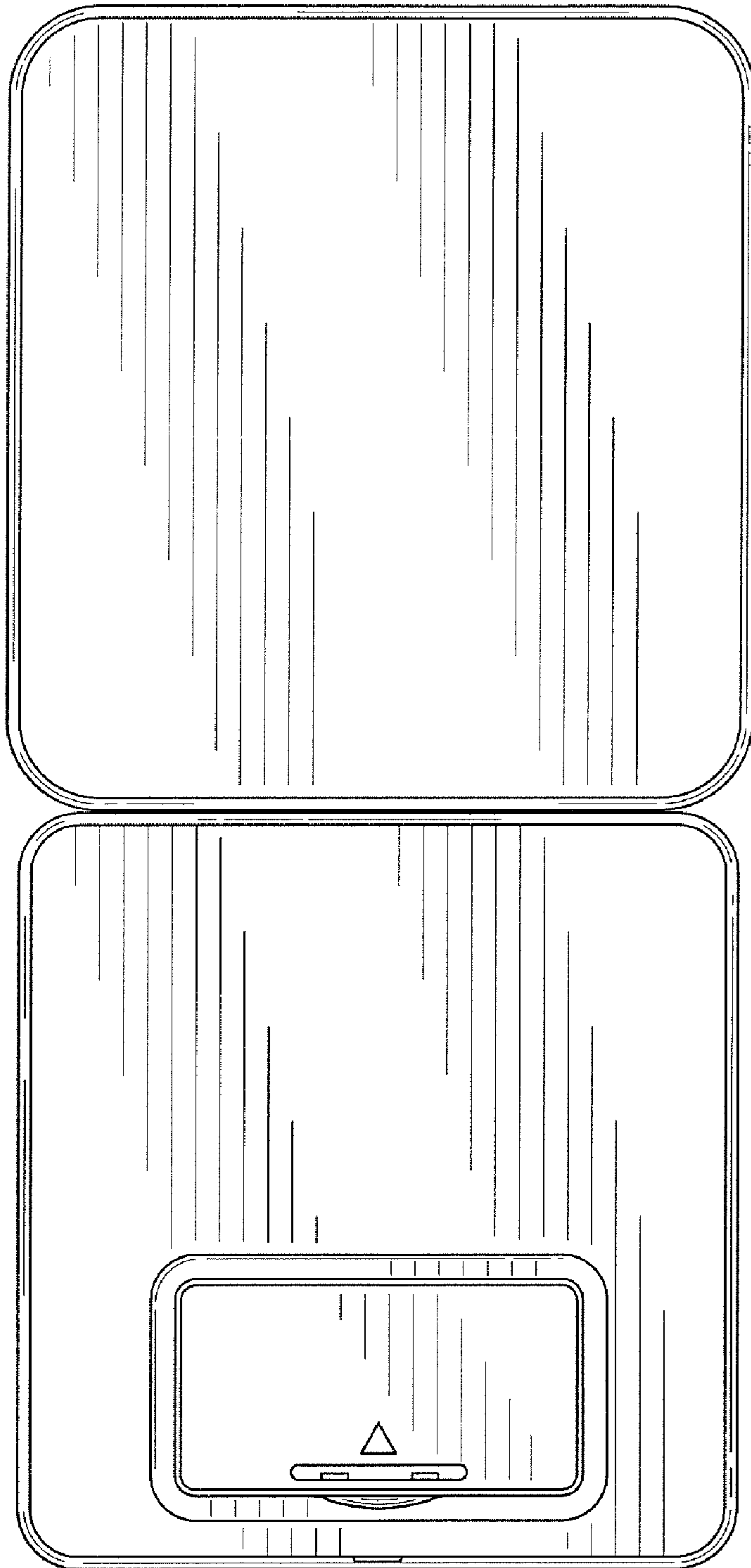


FIG. 4

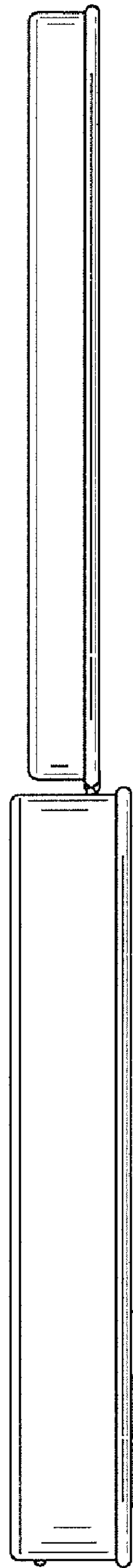


FIG. 5

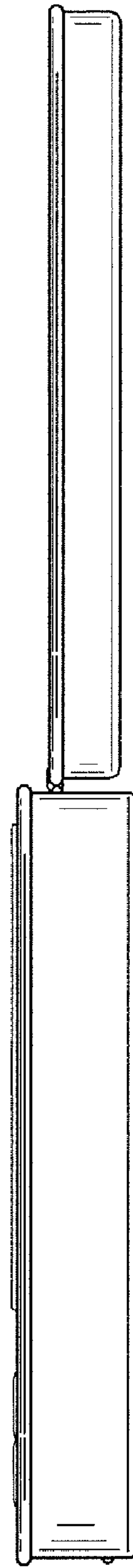


FIG. 6

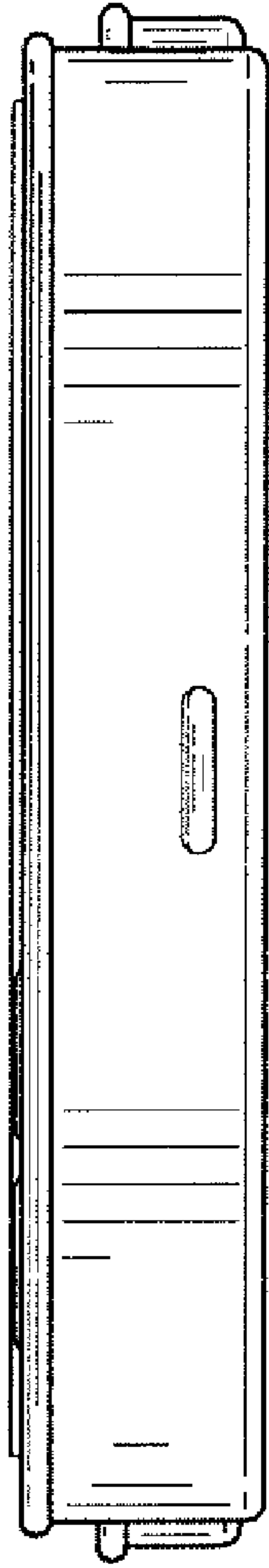


FIG. 7

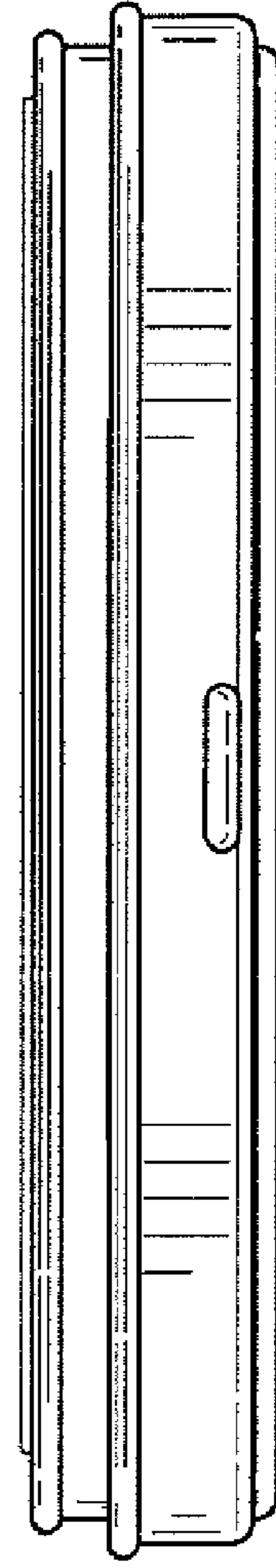


FIG. 8