



US00D550105S

(12) **United States Design Patent** (10) **Patent No.:** **US D550,105 S**
Oberrieder et al. (45) **Date of Patent:** **** Sep. 4, 2007**

(54) **GPS EXERCISE MONITORING DEVICE** 2006/0237760 A1* 10/2006 Sakashita 257/303

(75) Inventors: **John P. Oberrieder**, Mission, KS (US);
Paul E. Skelton, Lenexa, KS (US);
Warren R. Stevens, Olathe, KS (US);
Brian M. Sandefur, Lawrence, KS
(US); **David F. Lammers-Meis**, Olathe,
KS (US)

(73) Assignee: **Garmin Ltd.** (KY)

(**) Term: **14 Years**

(21) Appl. No.: **29/250,389**

(22) Filed: **Nov. 13, 2006**

Related U.S. Application Data

(63) Continuation of application No. 29/234,483, filed on
Jul. 18, 2005, now abandoned.

(51) **LOC (8) Cl.** **10-04**

(52) **U.S. Cl.** **D10/65**

(58) **Field of Classification Search** D10/30,
D10/32, 65, 70, 97; 340/539.13, 995.1; 342/357.13,
342/357.06-357.09, 357.1; 343/702; 455/566,
455/575.1, 150.1, 151.3, 90.1, 12.1, 456.1
See application file for complete search history.

(56) **References Cited**

U.S. PATENT DOCUMENTS

5,219,067	A	6/1993	Lima et al.
5,781,155	A	7/1998	Woo et al.
D400,112	S	10/1998	Rider
6,564,075	B1	5/2003	Mitamura
D509,760	S	9/2005	Burrell et al.
6,976,937	B2	12/2005	Chen
D516,440	S	3/2006	Yan
D518,742	S	4/2006	Yan
7,042,337	B2	5/2006	Borders et al.

OTHER PUBLICATIONS

Garmin Forerunner 201 Owner's Manual, Apr. 2005.
Royaltex Sport GPS displayed at the Taipei COMPUTEX show
sometime between May 31, 2005 and Jun. 4, 2005.
Product Description for that Paroos G-100 Launched in Jul. 2005,
in Korea.
Timeline for that Paroos G-100 Launched in Jul. 2005, in Korea.
Pocket Lint article describing the Navman Sport Tool GPS, dated
Jan. 2005.
TechDigest UK article describing the Navman Sport Tool GPS,
dated Jan. 2005.

* cited by examiner

Primary Examiner—Antoine D. Davis
(74) *Attorney, Agent, or Firm*—David L. Terrell

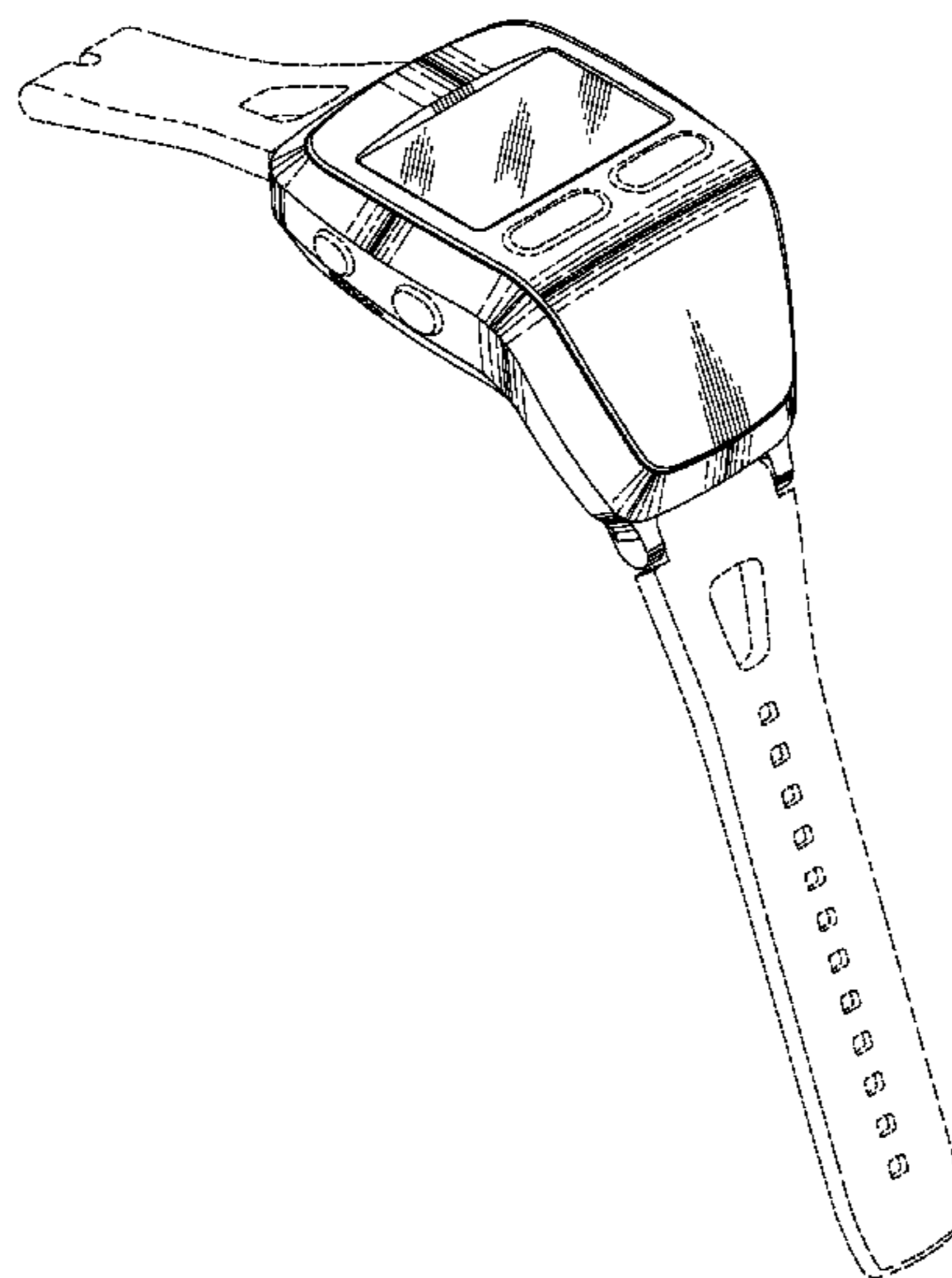
(57) **CLAIM**

The ornamental design for a GPS exercise monitoring
device, as shown and described, those portions shown in
broken lines being for illustrative purposes only and forming
no part of the claimed design.

DESCRIPTION

FIG. 1 is a first perspective view of a GPS exercise moni-
toring device according to the present invention;
FIG. 2 is a second perspective view thereof;
FIG. 3 is a top plan view thereof;
FIG. 4 is a bottom plan view thereof;
FIG. 5 is a first end view thereof;
FIG. 6 is a second end view opposite the first end thereof;
FIG. 7 is a left side view thereof; and,
FIG. 8 is a right side view thereof.
Those portions shown in broken lines are for illustrative
purposes only and form no part of the claimed design.

1 Claim, 5 Drawing Sheets



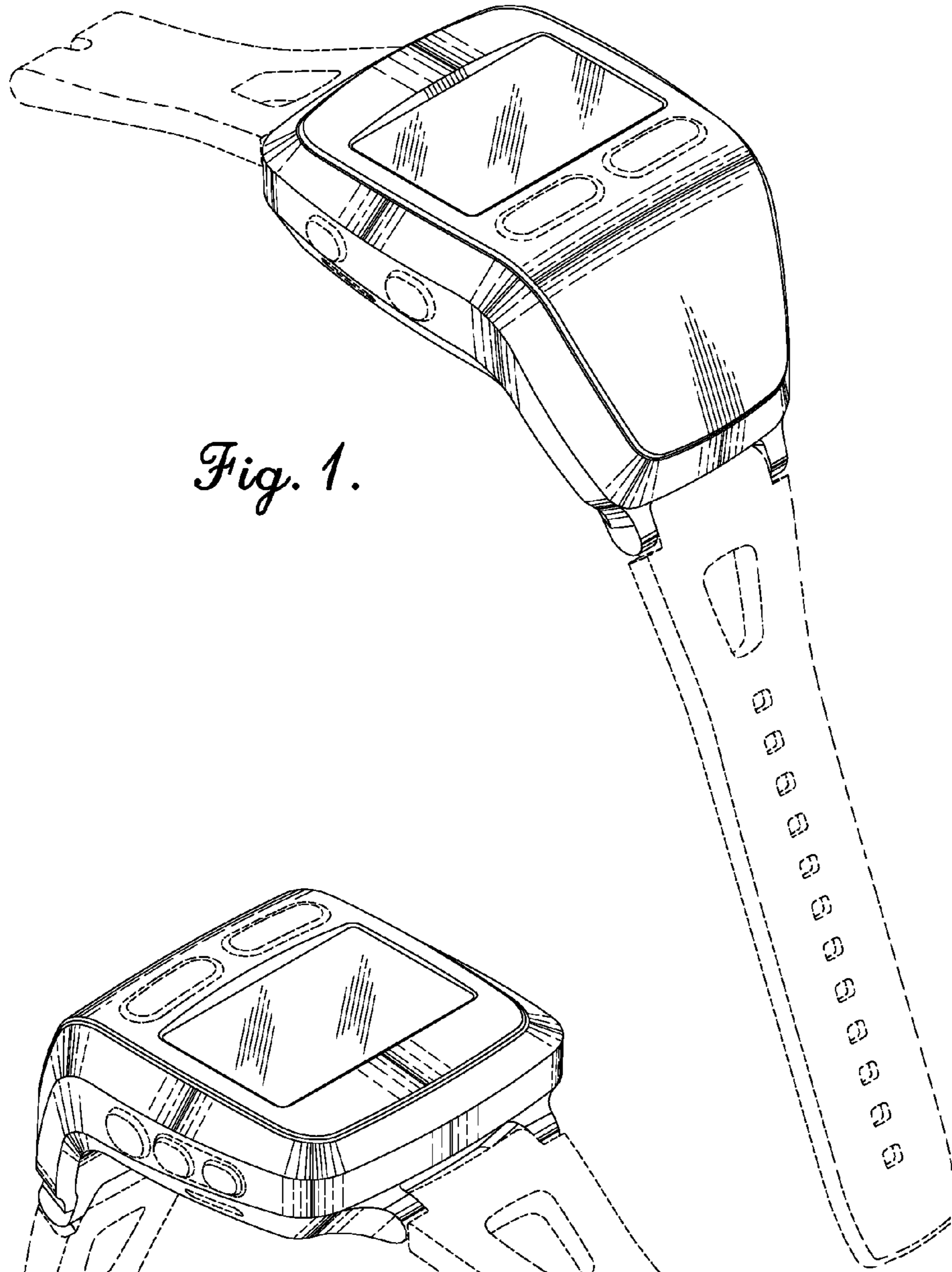


Fig. 1.

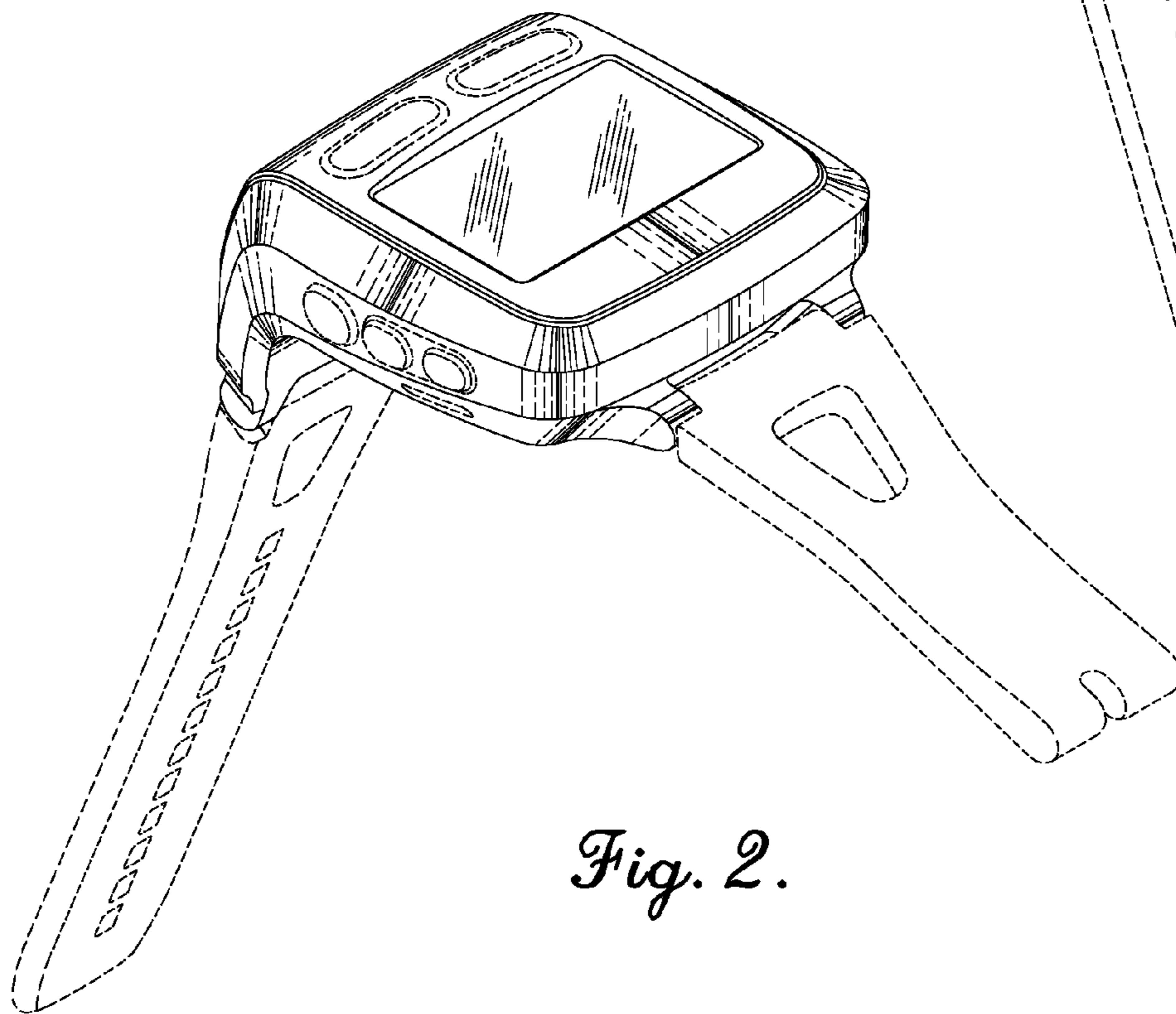


Fig. 2.

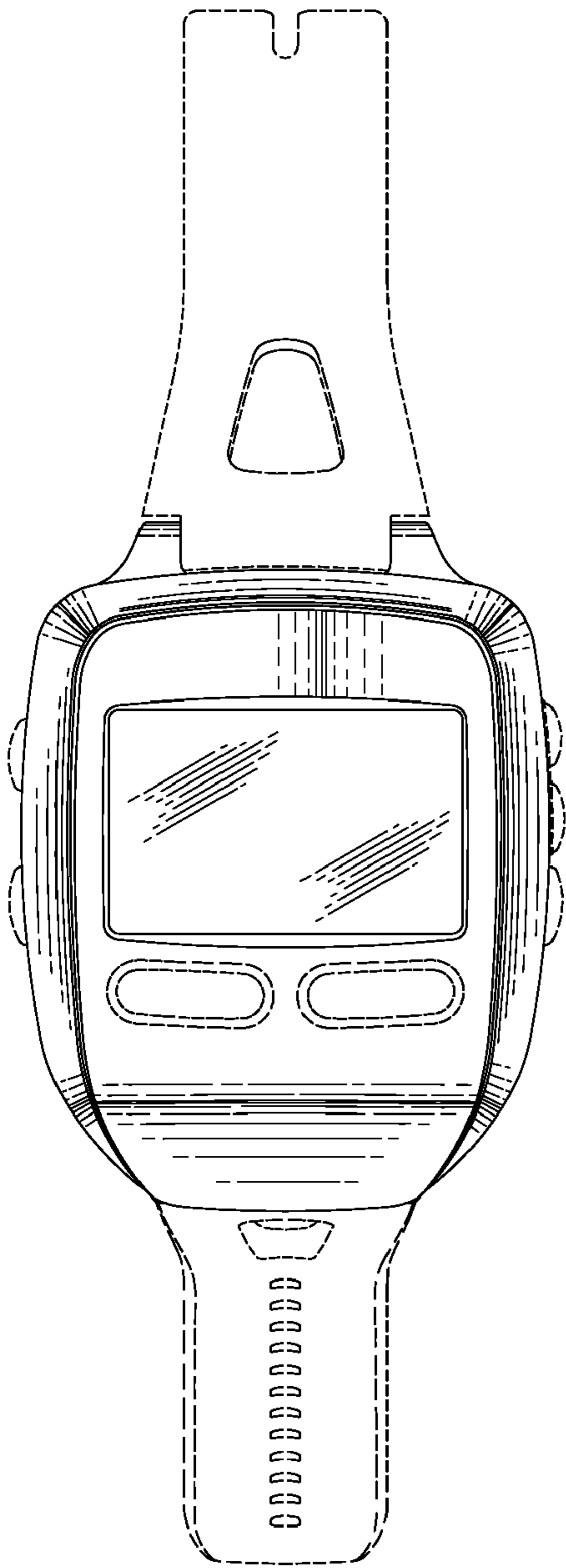


Fig. 3.

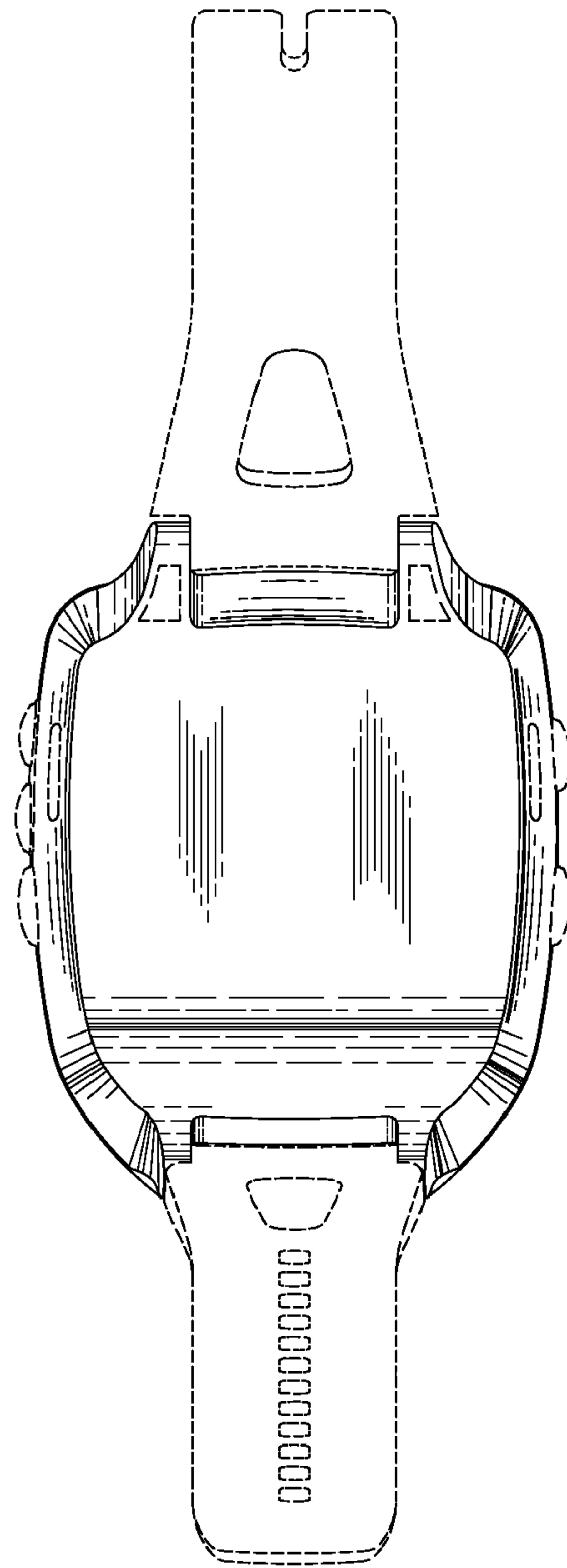


Fig. 4.

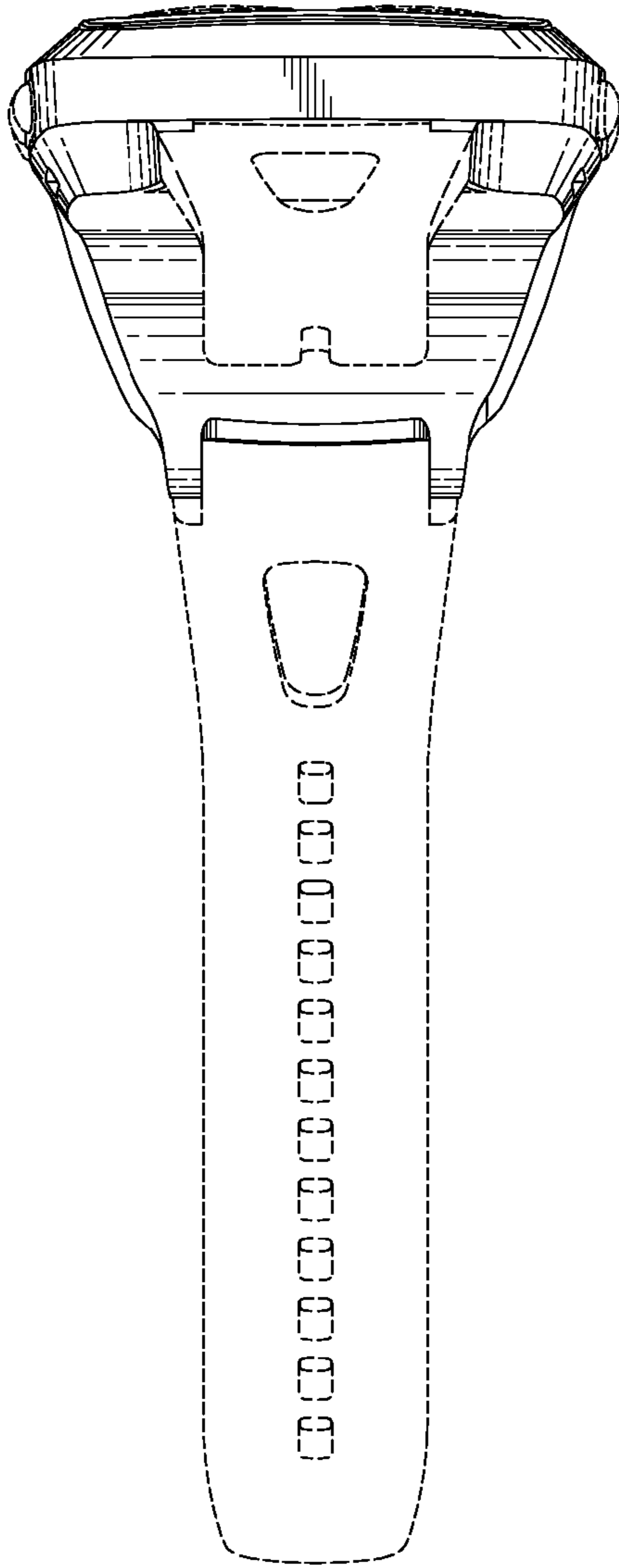


Fig. 5.

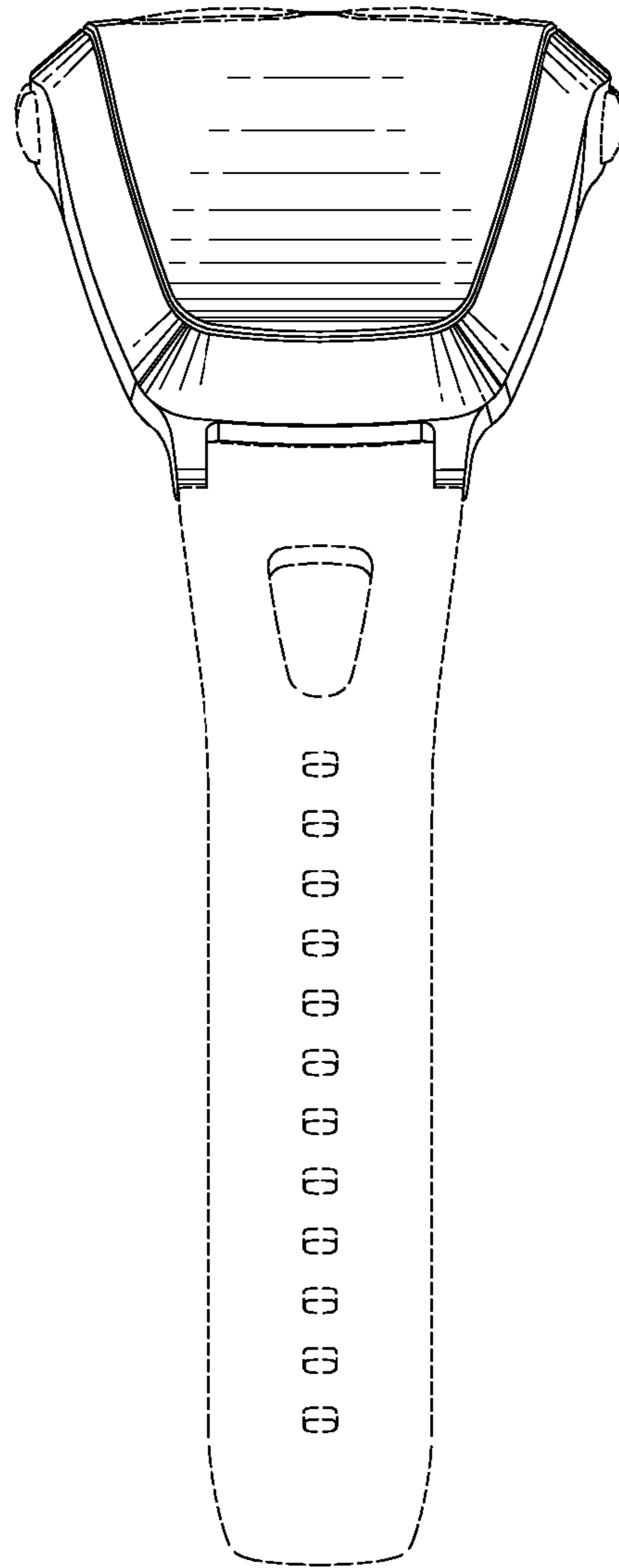


Fig. 6.

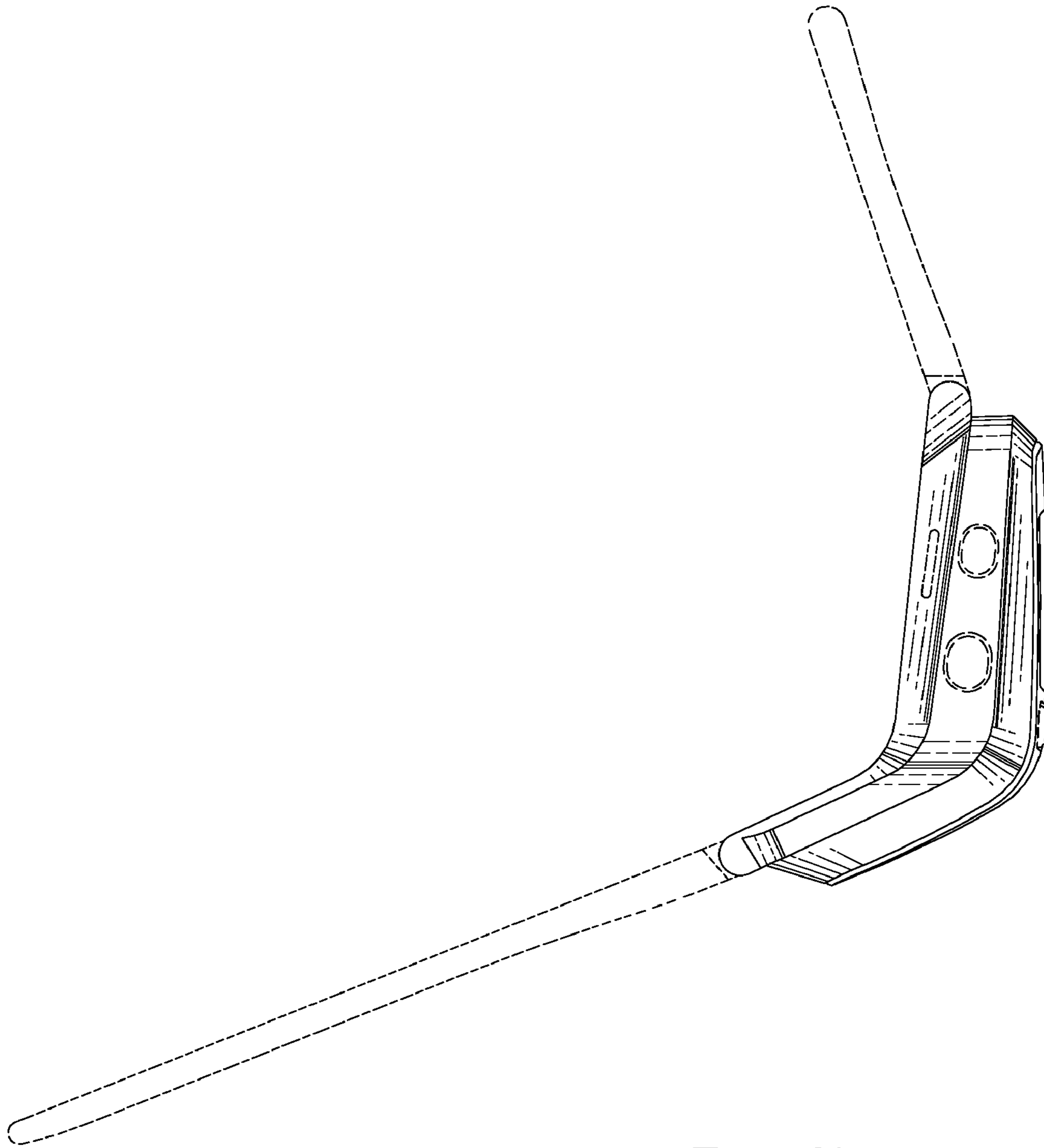


Fig. 7.

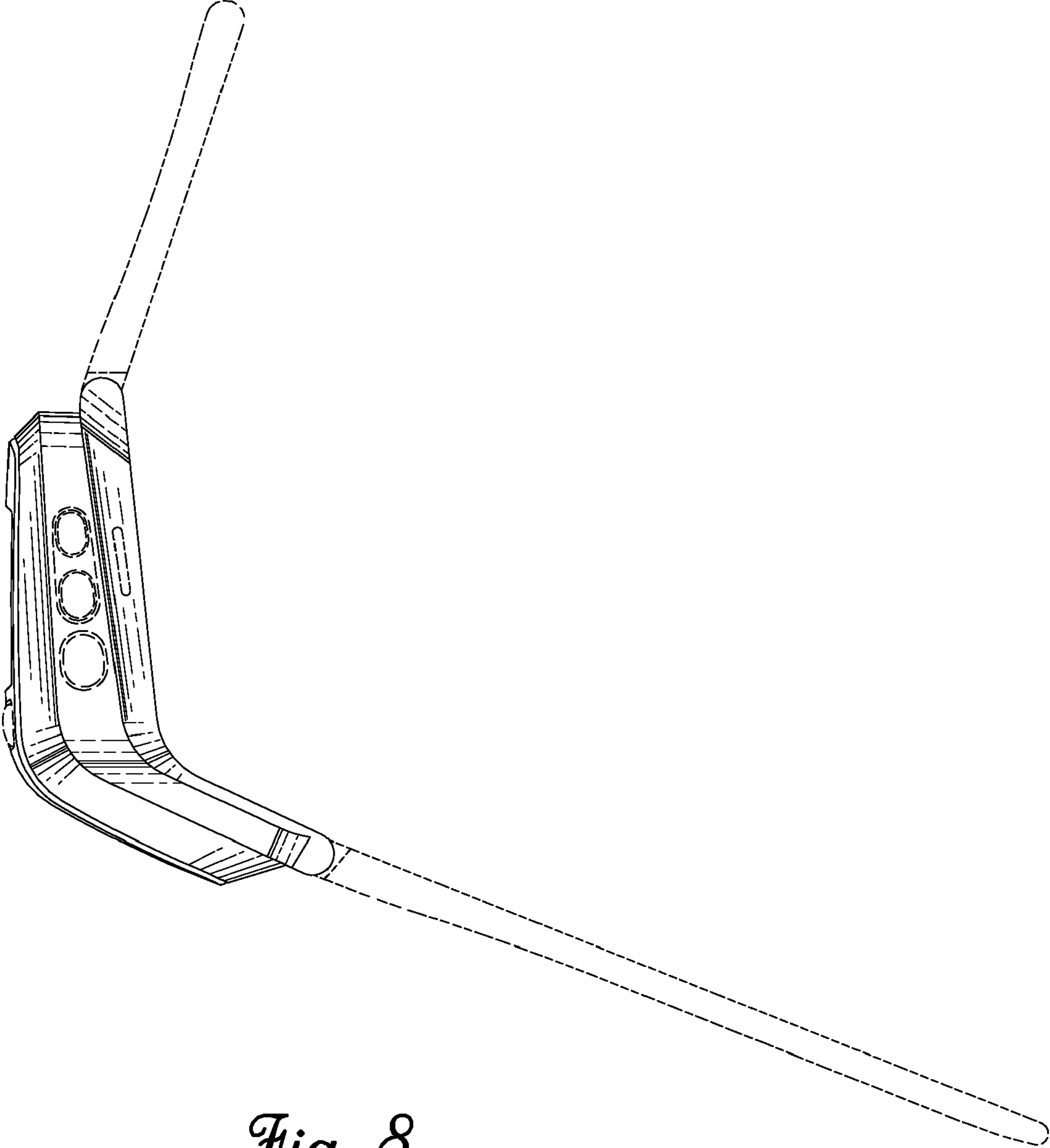


Fig. 8.