



US00D550104S

(12) **United States Design Patent** (10) **Patent No.:** **US D550,104 S**
Miilat et al. (45) **Date of Patent:** **** Sep. 4, 2007**

(54) **ORGANIC CHEMISTRY DRAFTING
TEMPLATE**

(76) Inventors: **Jaysond Miilat**, 1217 Pinehurst Rd.,
Chula Vista, CA (US) 91915; **Kevin
Jung**, 21426 Marjorie Ave., Torrance,
CA (US) 90503; **Jeffrey Miilat**, 1217
Pinehurst Rd., Chula Vista, CA (US)
91915

(**) Term: **14 Years**

(21) Appl. No.: **29/263,230**

(22) Filed: **Jul. 18, 2006**

(51) **LOC (8) Cl.** **10-04**

(52) **U.S. Cl.** **D10/64**

(58) **Field of Classification Search** D10/64;
33/562-566; 434/298; D19/61, 62
See application file for complete search history.

(56) **References Cited**

U.S. PATENT DOCUMENTS

3,423,093	A *	1/1969	Lahav	434/298
3,594,923	A *	7/1971	Midgley	434/298
4,192,084	A *	3/1980	O'Riordan	434/278
D297,018	S *	8/1988	Deering	D10/64
5,071,132	A *	12/1991	Ward et al.	434/298
D369,618	S *	5/1996	Lichfield	D10/64

OTHER PUBLICATIONS

Rapid Design Chemical Ring Template, http://www.artstuff.net/rapiddesign_chemical_ring_template.htm.

* cited by examiner

Primary Examiner—Antoine D. Davis

(74) *Attorney, Agent, or Firm*—Raymond Wagenknecht;
David R. Preston & Associates

(57) **CLAIM**

The ornamental design for an organic chemistry template, as shown and described.

DESCRIPTION

FIG. 1 is a front plan view of an organic chemistry template showing our new design;

FIG. 2 is a bottom plan view of FIG. 1;

FIG. 3 is a side elevational view of FIG. 1;

FIG. 4 is an end elevational view of FIG. 1;

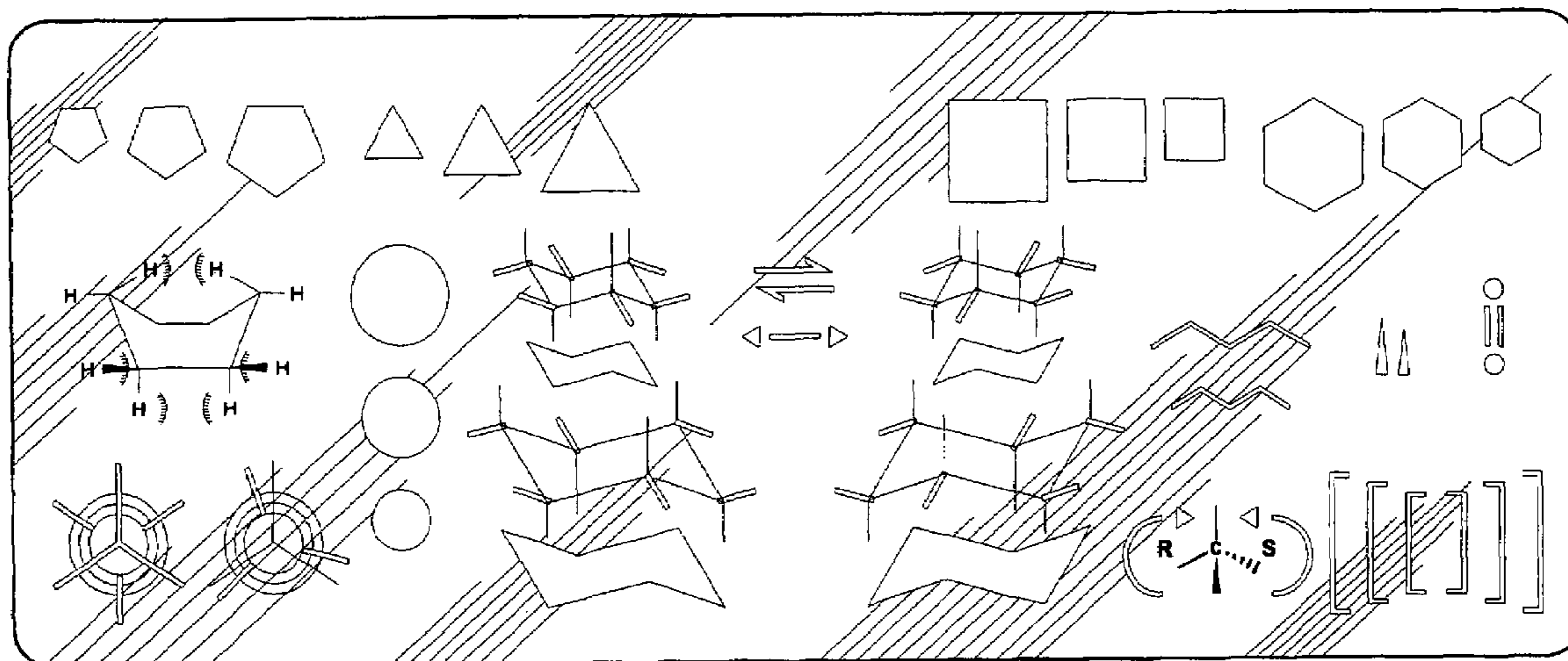
FIG. 5 is front plan view of another embodiment of an organic chemistry template showing our new design;

FIG. 6 is a bottom plan view of FIG. 5;

FIG. 7 is a side elevational view of FIG. 5; and,

FIG. 8 is an end elevational view of FIG. 5.

1 Claim, 6 Drawing Sheets



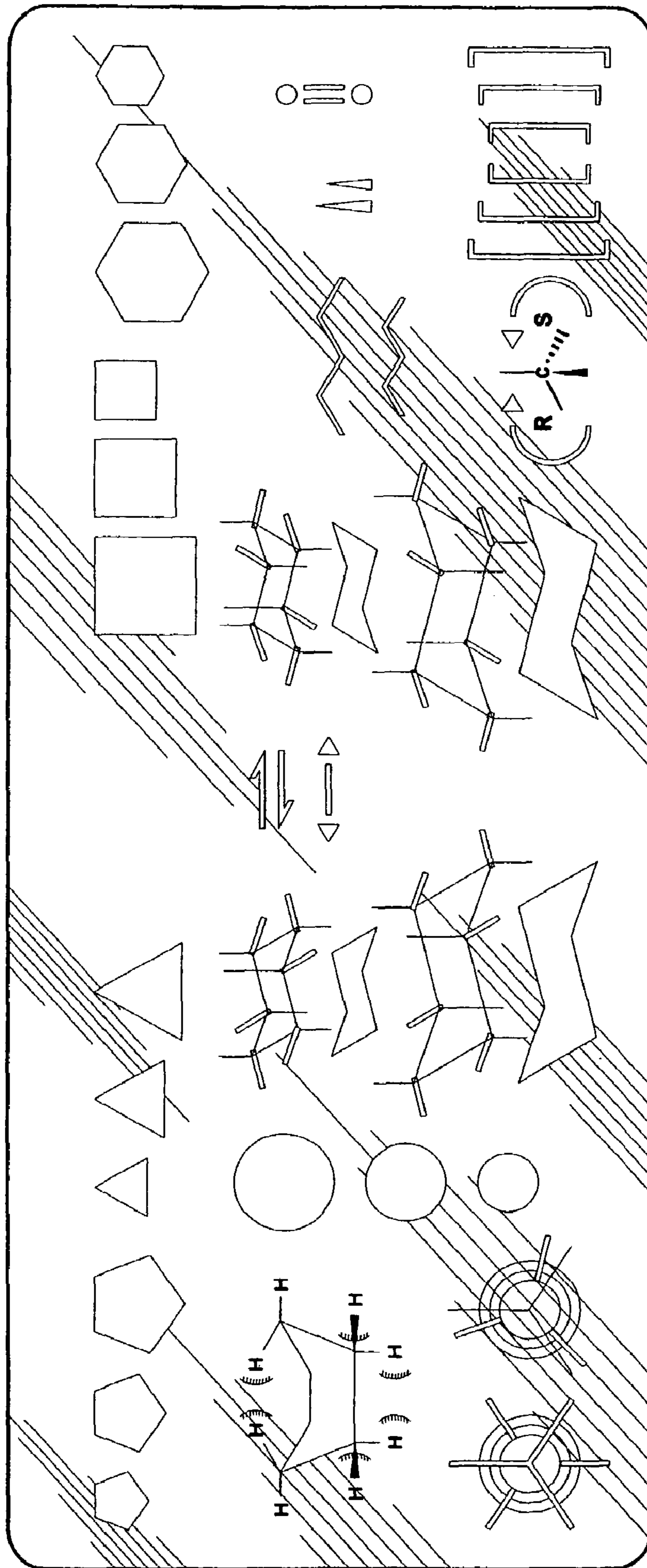


FIG. 1

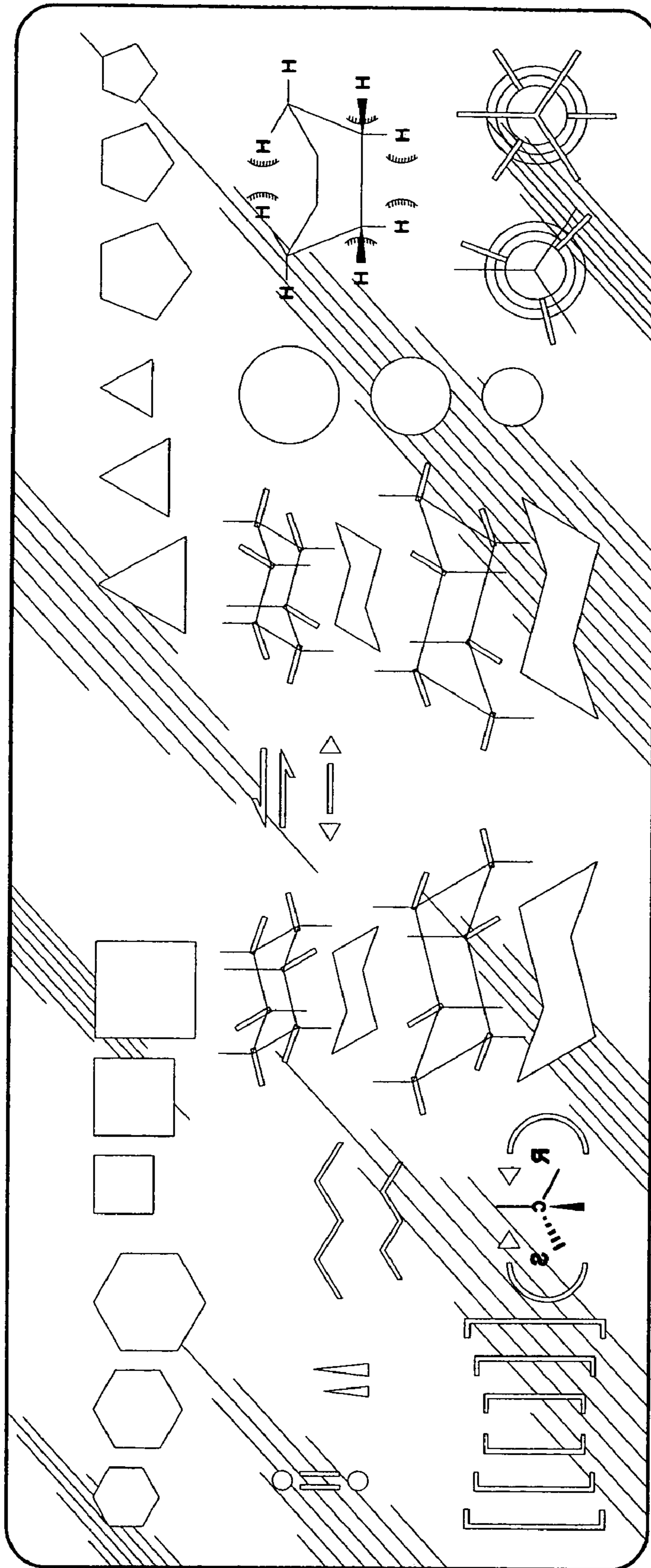


FIG. 2



FIG. 3



FIG. 4

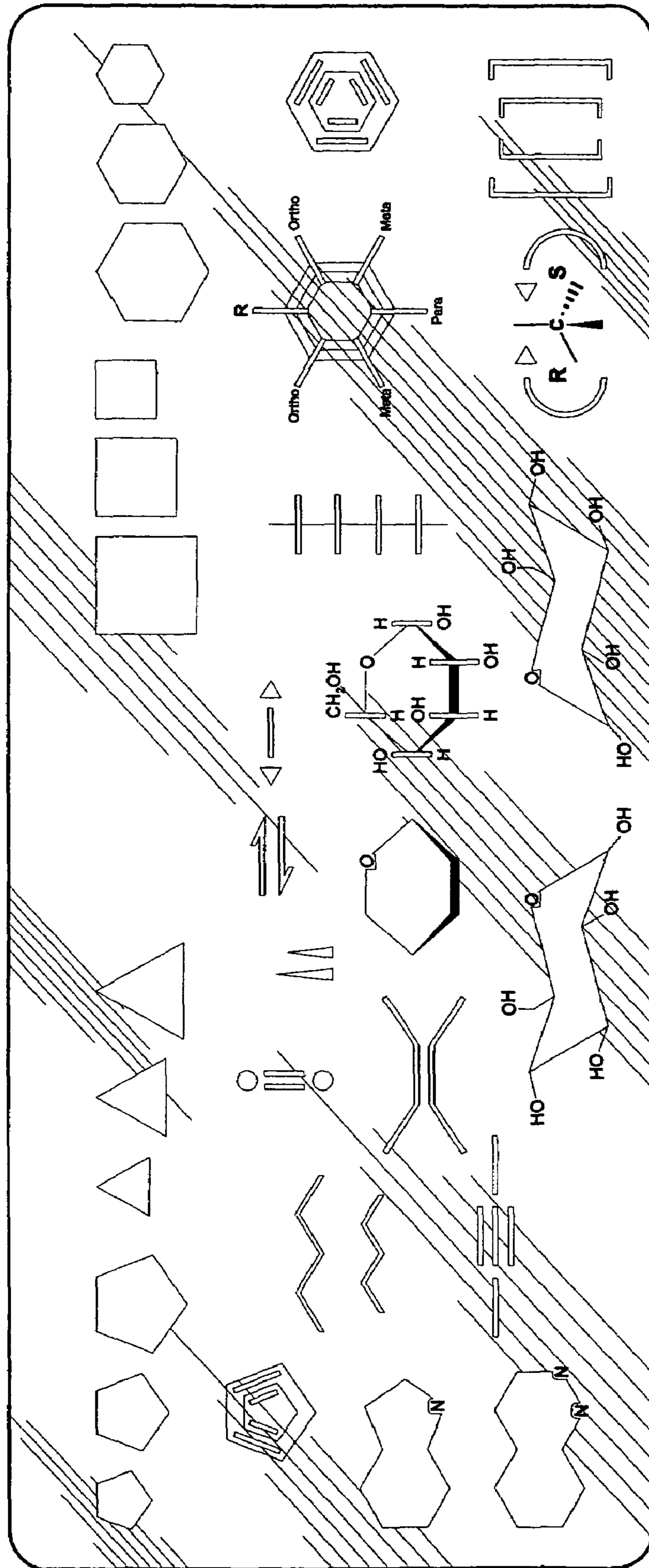


FIG. 5

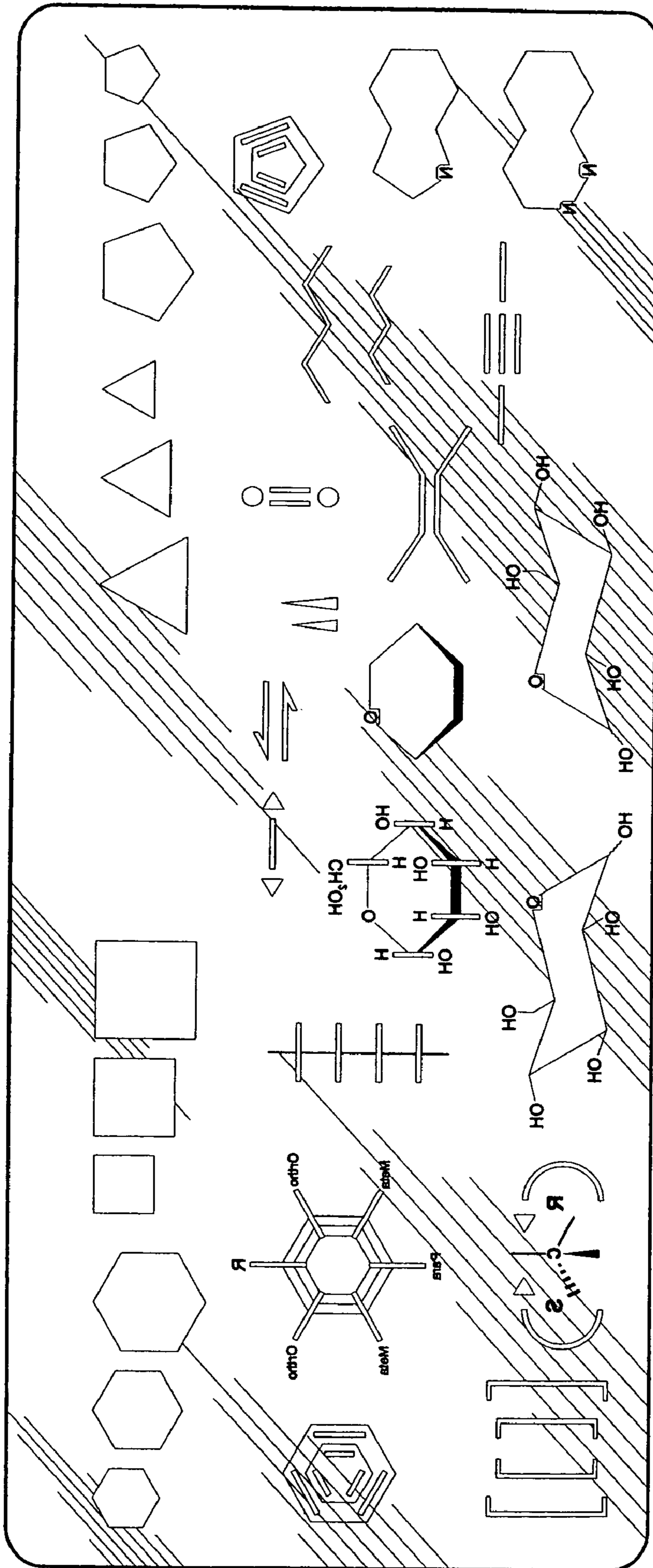


FIG. 6



FIG. 7

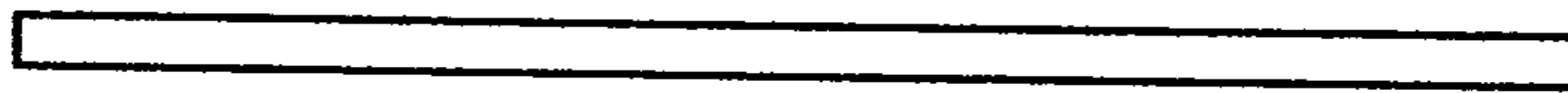


FIG. 8