



US00D550077S

(12) **United States Design Patent**  
**Lagreca et al.**

(10) **Patent No.:** **US D550,077 S**

(45) **Date of Patent:** **\*\* Sep. 4, 2007**

(54) **GAME PACK**

(75) Inventors: **Mandana Lagreca**, Huntersville, NC  
(US); **Osher Hoberman**, Hackettstown,  
NJ (US)

(73) Assignee: **Mars, Incorporated**, McLean, VA (US)

(\*\*) Term: **14 Years**

(21) Appl. No.: **29/245,204**

(22) Filed: **Dec. 21, 2005**

(51) **LOC (8) Cl.** ..... **09-03**

(52) **U.S. Cl.** ..... **D9/415; D9/428**

(58) **Field of Classification Search** ..... D9/415,  
D9/414, 424, 426, 428; D3/203.2, 203.4;  
D21/308, 443; D28/8, 82, 88; 132/305;  
206/38, 235, 581, 800, 806, 815; 220/315;  
229/904.1

See application file for complete search history.

(56) **References Cited**

**U.S. PATENT DOCUMENTS**

D33,284 S *	10/1900	Clement	.....	D9/772
1,467,151 A *	9/1923	Freundt	.....	132/294
1,775,959 A *	9/1930	Himes	.....	206/540
D255,215 S *	6/1980	Ellinwood	.....	D9/504
D303,584 S *	9/1989	Bakic	.....	D28/91
5,209,345 A *	5/1993	Haugabook	.....	220/832
D398,844 S *	9/1998	Oberloier	.....	D9/415
D408,590 S *	4/1999	Litton	.....	D28/82

D430,358 S *	8/2000	Papiernik	.....	D28/91.1
D468,058 S *	12/2002	Thorpe	.....	D28/82
2004/0099562 A1 *	5/2004	Vazquez	.....	206/461

\* cited by examiner

*Primary Examiner*—Prabhakar Deshmukh

*Assistant Examiner*—Derrick Holland

(74) *Attorney, Agent, or Firm*—Arent Fox

(57) **CLAIM**

The ornamental design for a game pack, as shown and described.

**DESCRIPTION**

FIG. 1 is a perspective view of a game pack showing our new design;

FIG. 2 is a front elevational view thereof;

FIG. 3 is a rear elevational view thereof;

FIG. 4 is a top plan view thereof;

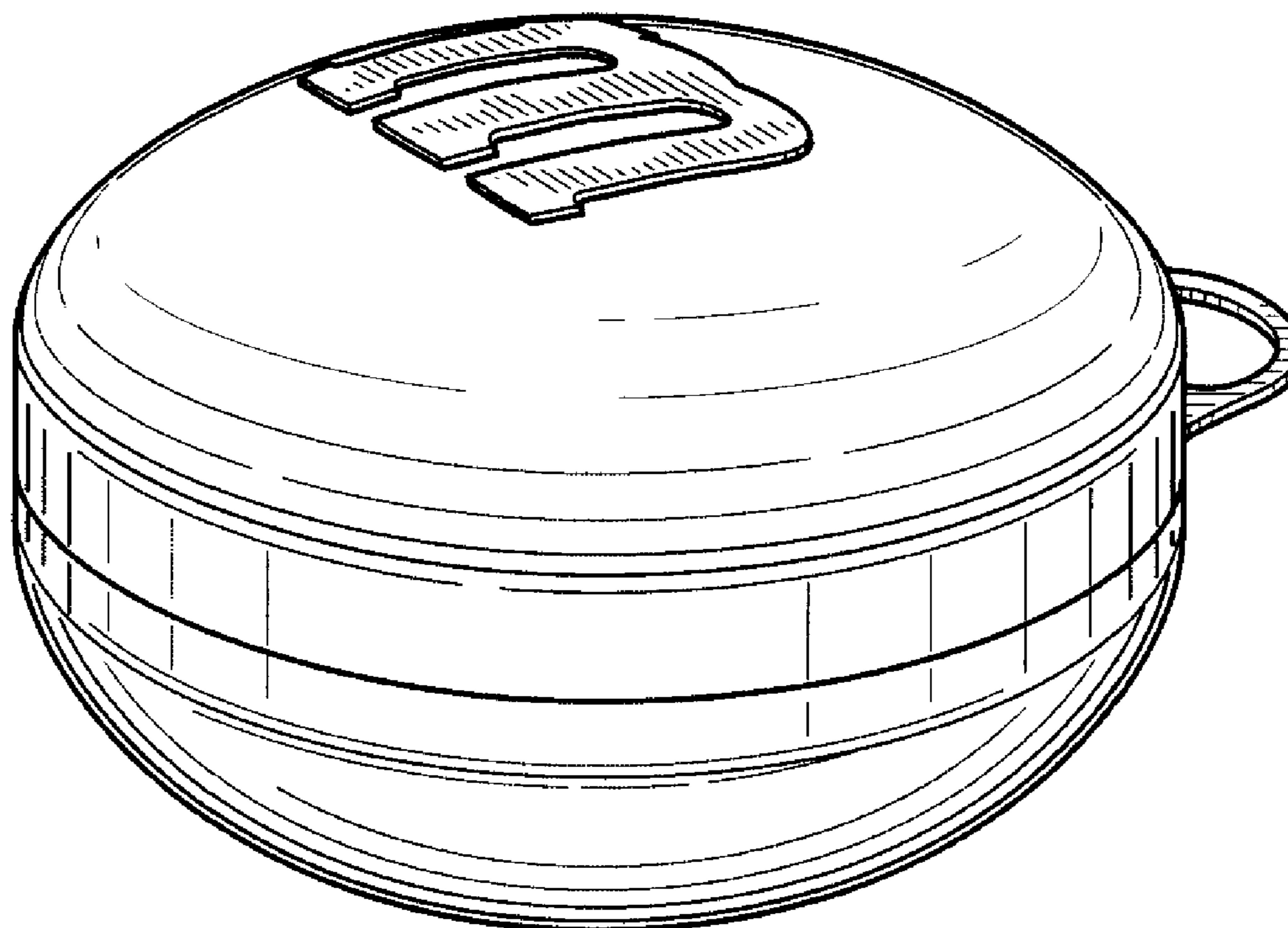
FIG. 5 is a bottom plan view thereof;

FIG. 6 is a right side elevational view thereof; and,

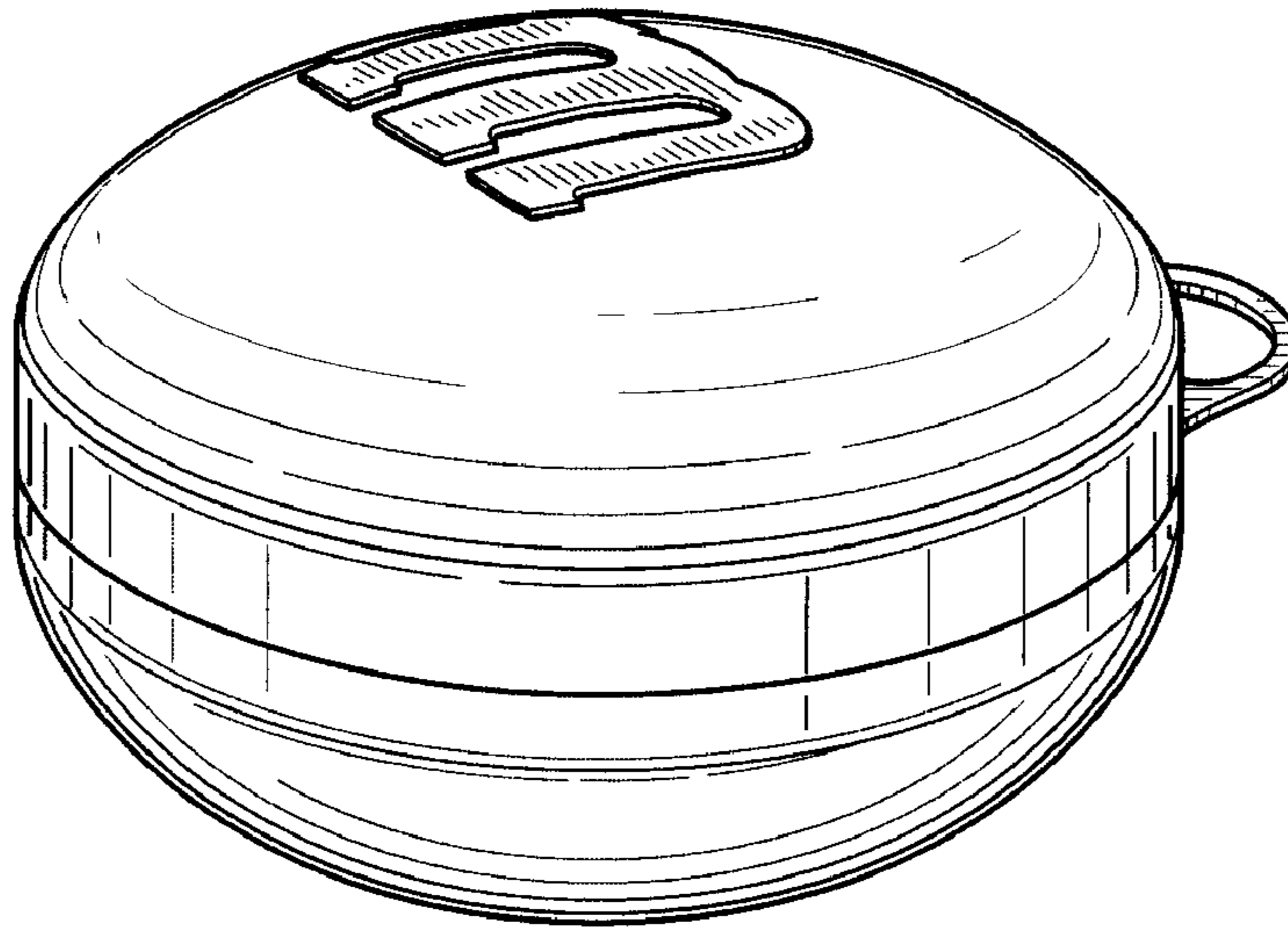
FIG. 7 is a left side elevational view thereof.

The new and original container set forth in this specification is separable into two halves defined by the dark line seen in FIGS. 1, 4, 5, 6 and 7 on the circumference of the container so that items, such as confectionery pieces, may be placed in and removed from the container.

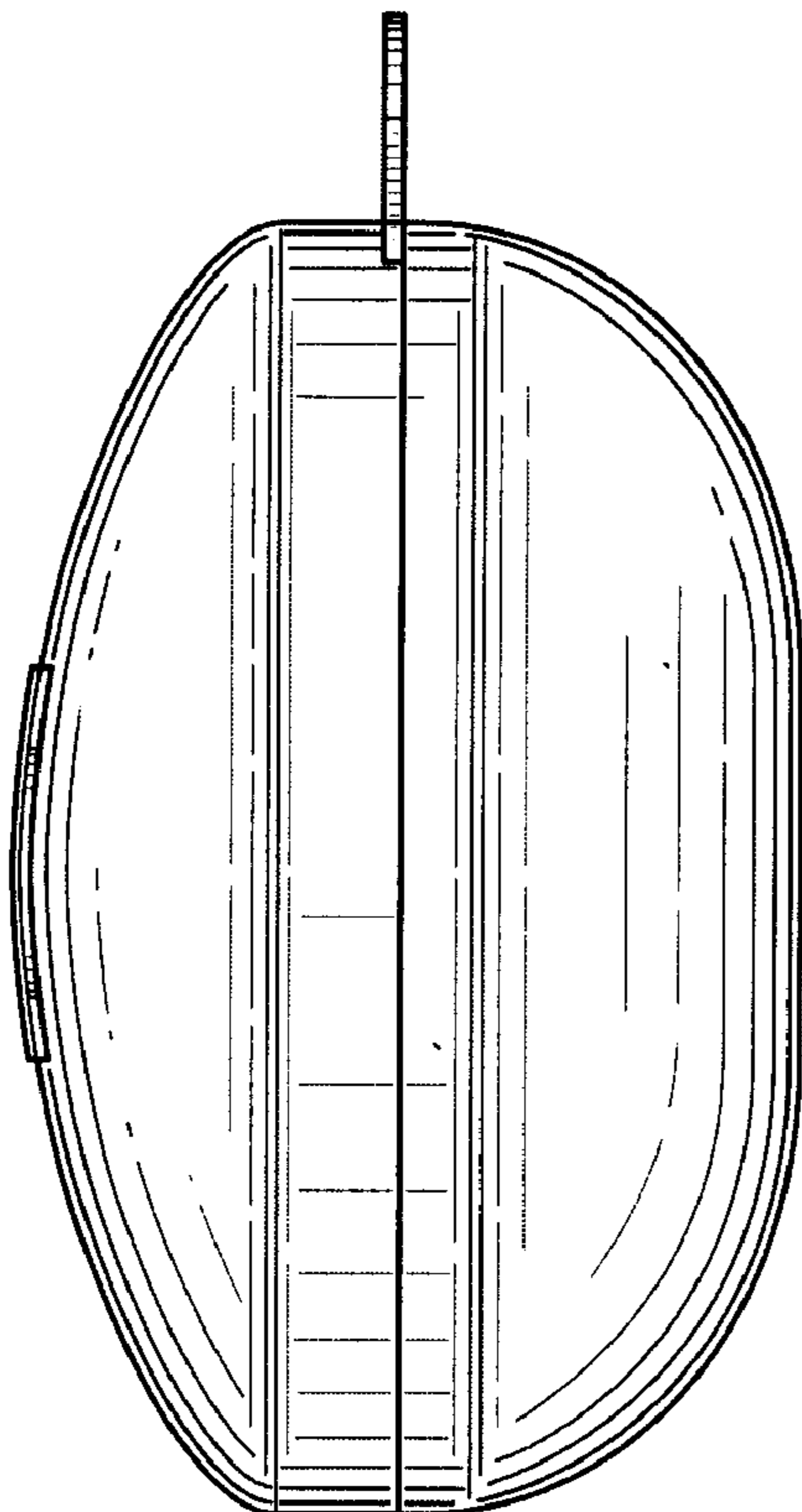
**1 Claim, 3 Drawing Sheets**



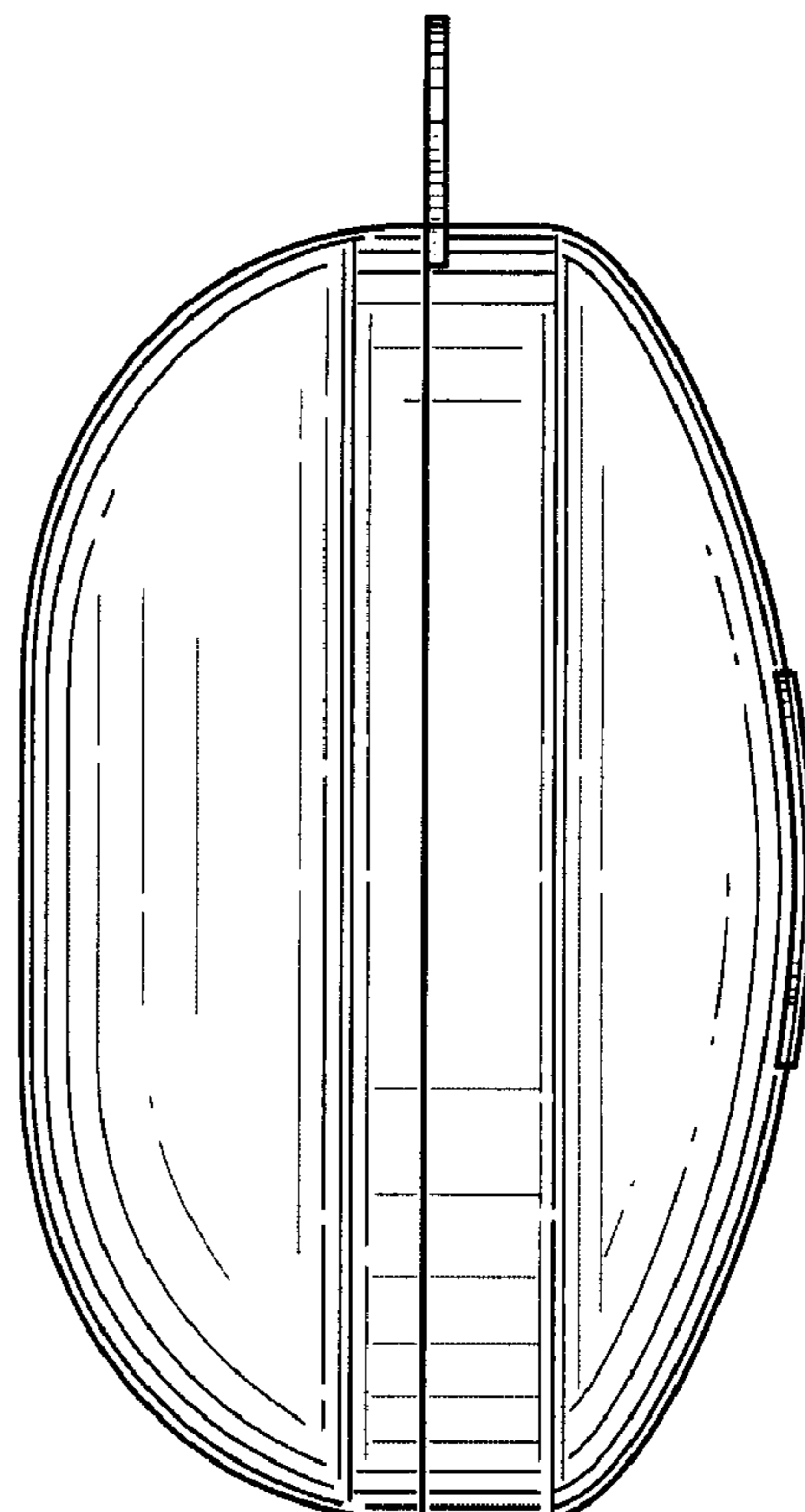
**FIG. 1**

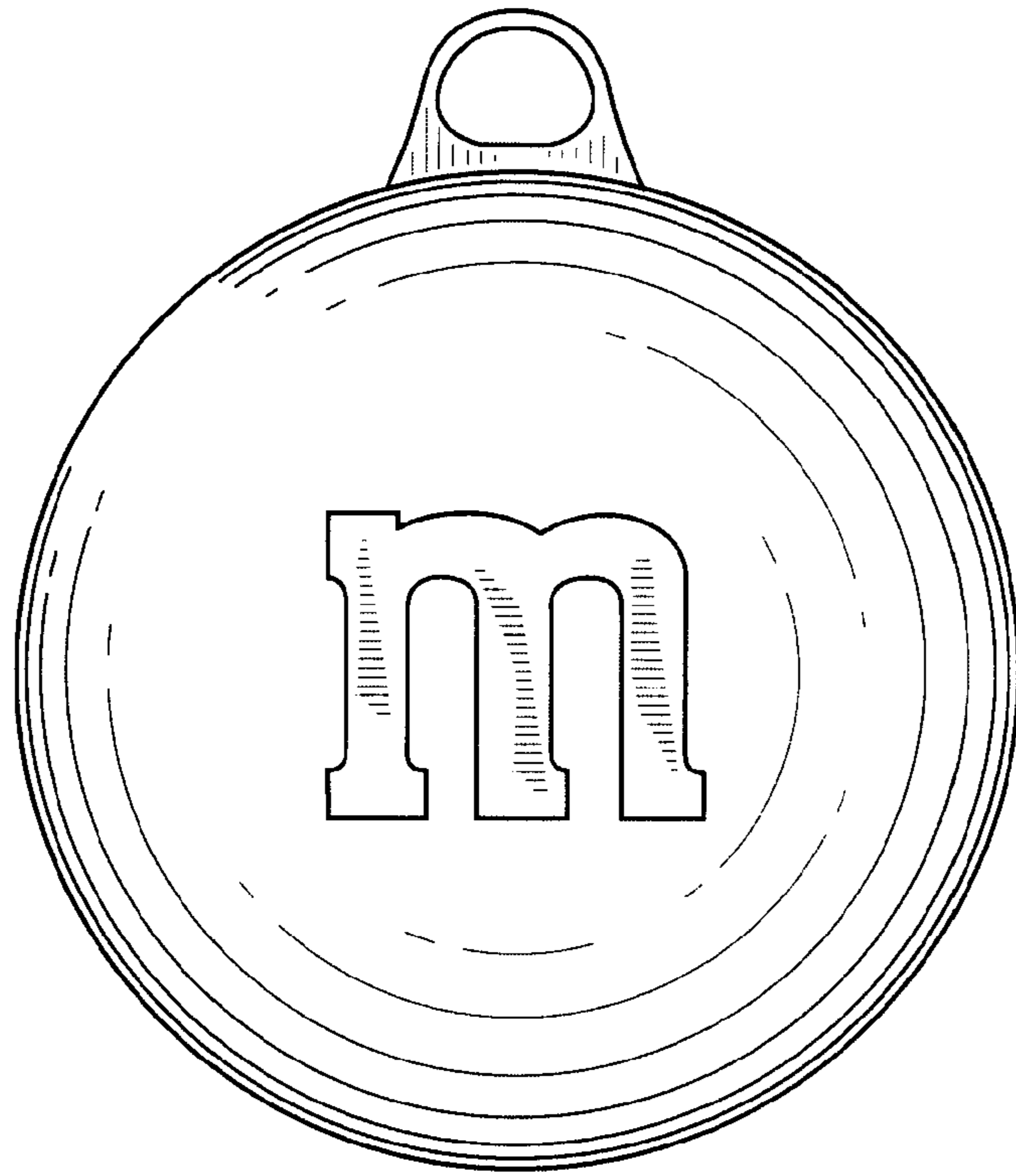


**FIG. 6**

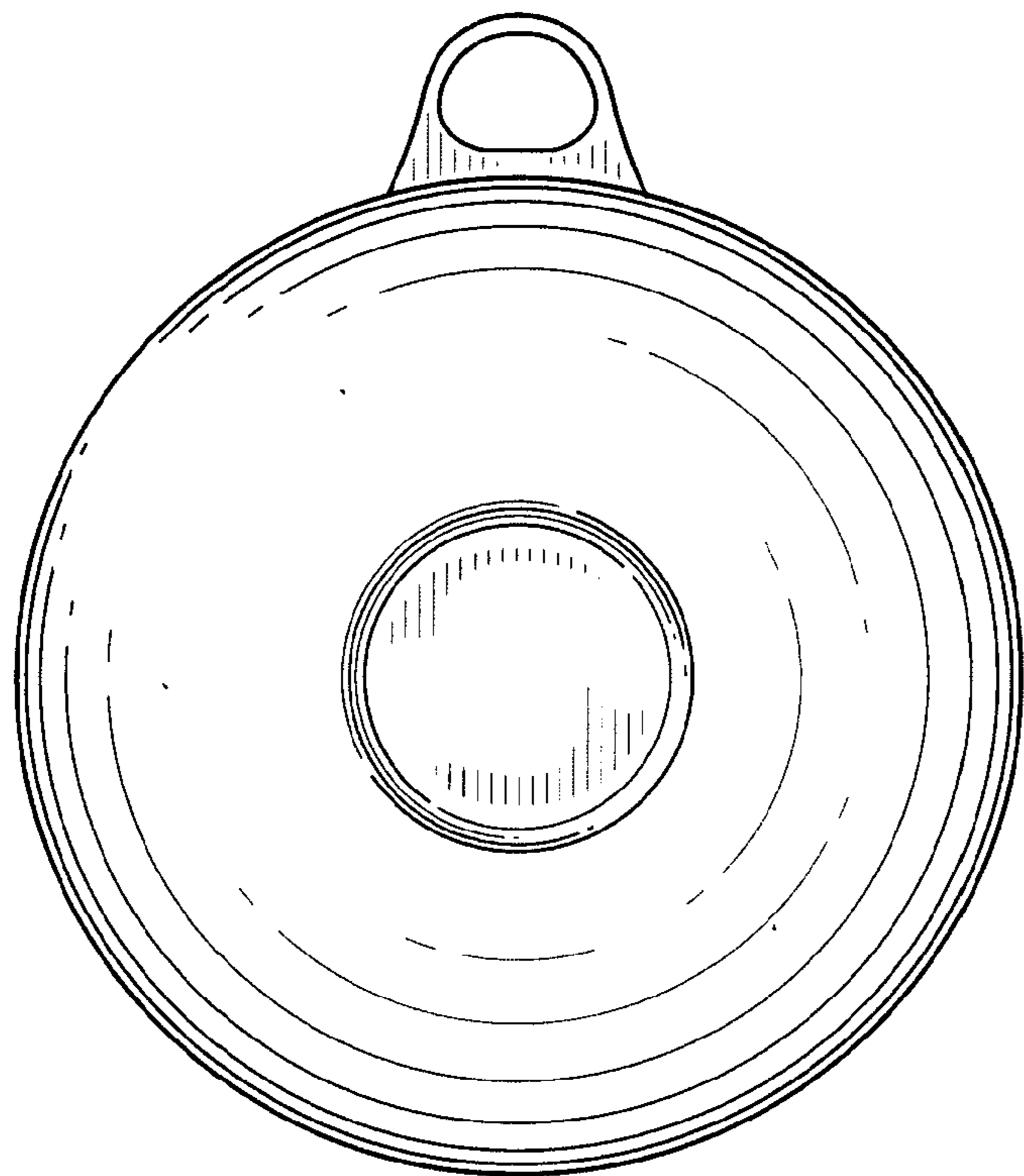


**FIG. 7**



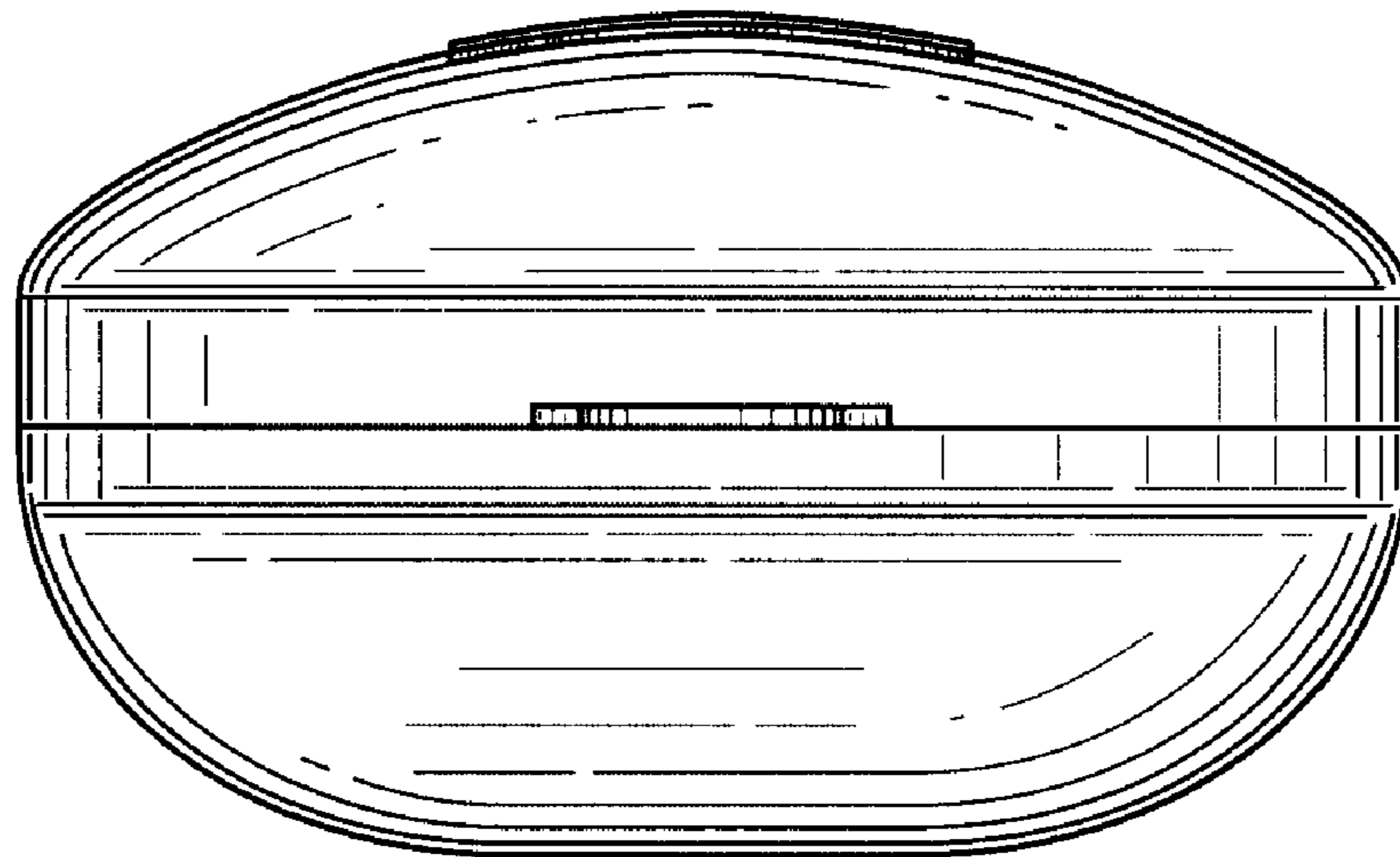


**FIG. 2**



**FIG. 3**

**FIG. 4**



**FIG. 5**

