



US00D550075S

(12) **United States Design Patent**
Tung

(10) **Patent No.:** **US D550,075 S**

(45) **Date of Patent:** **** Sep. 4, 2007**

(54) **CLAMP FOR TUBULAR MEMBER AND THE LIKE**

(75) Inventor: **Chien-Tse Tung**, Changua (TW)

(73) Assignee: **Motorsports Corp.**, Changua (TW)

(**) Term: **14 Years**

(21) Appl. No.: **29/265,541**

(22) Filed: **Sep. 5, 2006**

(30) **Foreign Application Priority Data**

Mar. 2, 2006 (TW) 95301042

(51) **LOC (8) Cl.** **08-08**

(52) **U.S. Cl.** **D8/396**

(58) **Field of Classification Search** D8/356,
D8/371, 394-396; D19/65; 24/22, 67 R,
24/20 S, 115 R, 546, 563, 910, 343, 67.9;
248/74.2, 215, 227.1, 49, 300, 301, 316.7,
248/51, 489

See application file for complete search history.

(56) **References Cited**

U.S. PATENT DOCUMENTS

1,808,516 A *	6/1931	Bartsch	248/67
D283,486 S *	4/1986	Fogel et al.	D8/396
D301,722 S *	6/1989	Sachs	D20/22
D320,547 S *	10/1991	Georgopoulos	D8/396
D345,814 S *	4/1994	Wright, III	D26/138
D438,783 S *	3/2001	Elliott	D8/396
6,988,696 B2 *	1/2006	Attee	248/214

* cited by examiner

Primary Examiner—Louis S. Zarfes
Assistant Examiner—John Windmuller
(74) *Attorney, Agent, or Firm*—Browdy and Neimark, PLLC

(57) **CLAIM**

The ornamental design for a clamp for tubular member and the like, as shown and described.

DESCRIPTION

FIG. 1 is a perspective view of a clamp for tubular member and the like showing a first embodiment of my new design;

FIG. 2 is a right side elevational view thereof;

FIG. 3 is a top plan view thereof;

FIG. 4 is a front elevational view thereof;

FIG. 5 is a bottom plan view thereof;

FIG. 6 is a left side elevational view thereof;

FIG. 7 is a rear elevational view thereof;

FIG. 8 is a perspective view of a clamp for tubular member and the like showing a second embodiment of my new design;

FIG. 9 is a right side elevational view thereof;

FIG. 10 is a top plan view thereof;

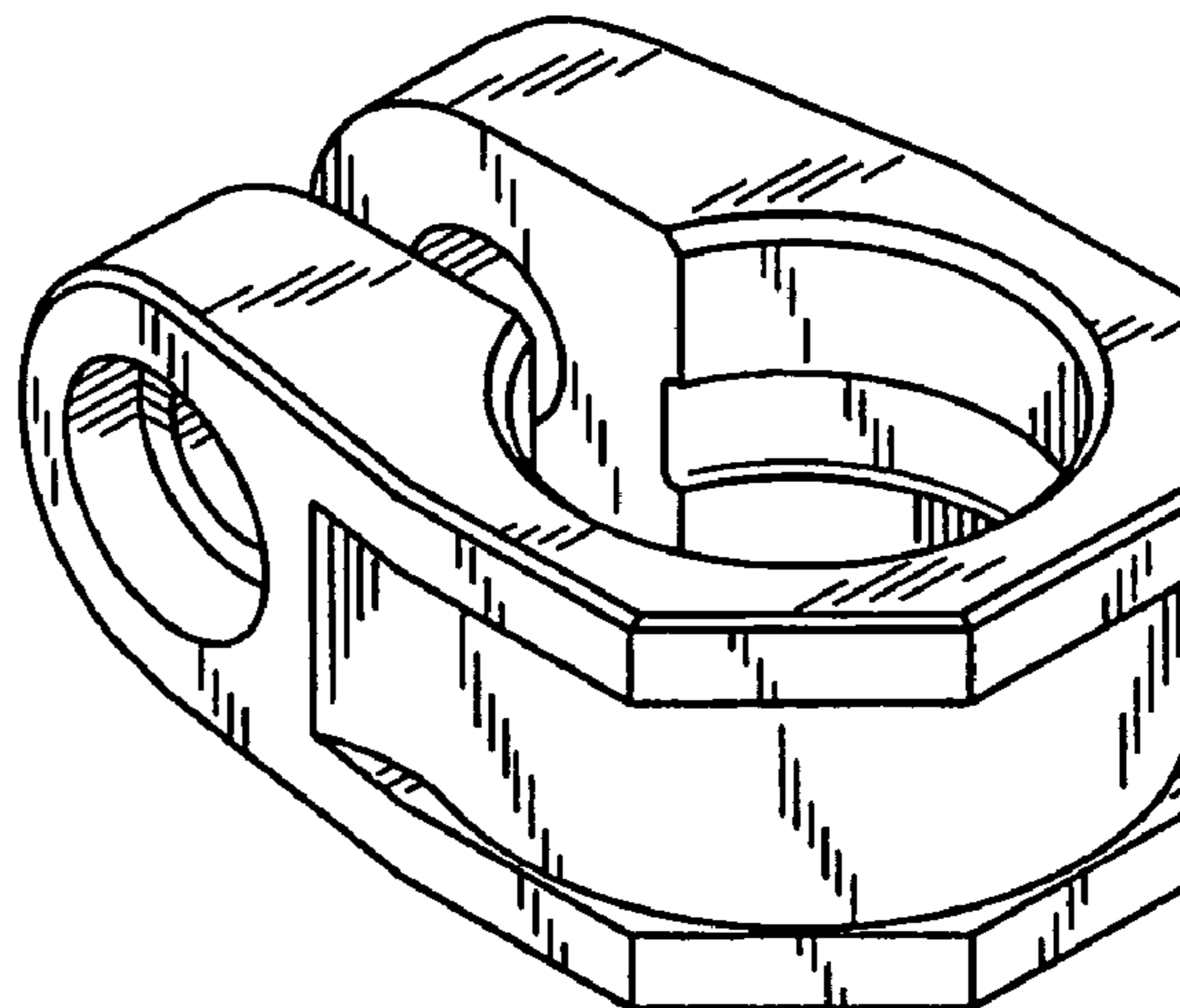
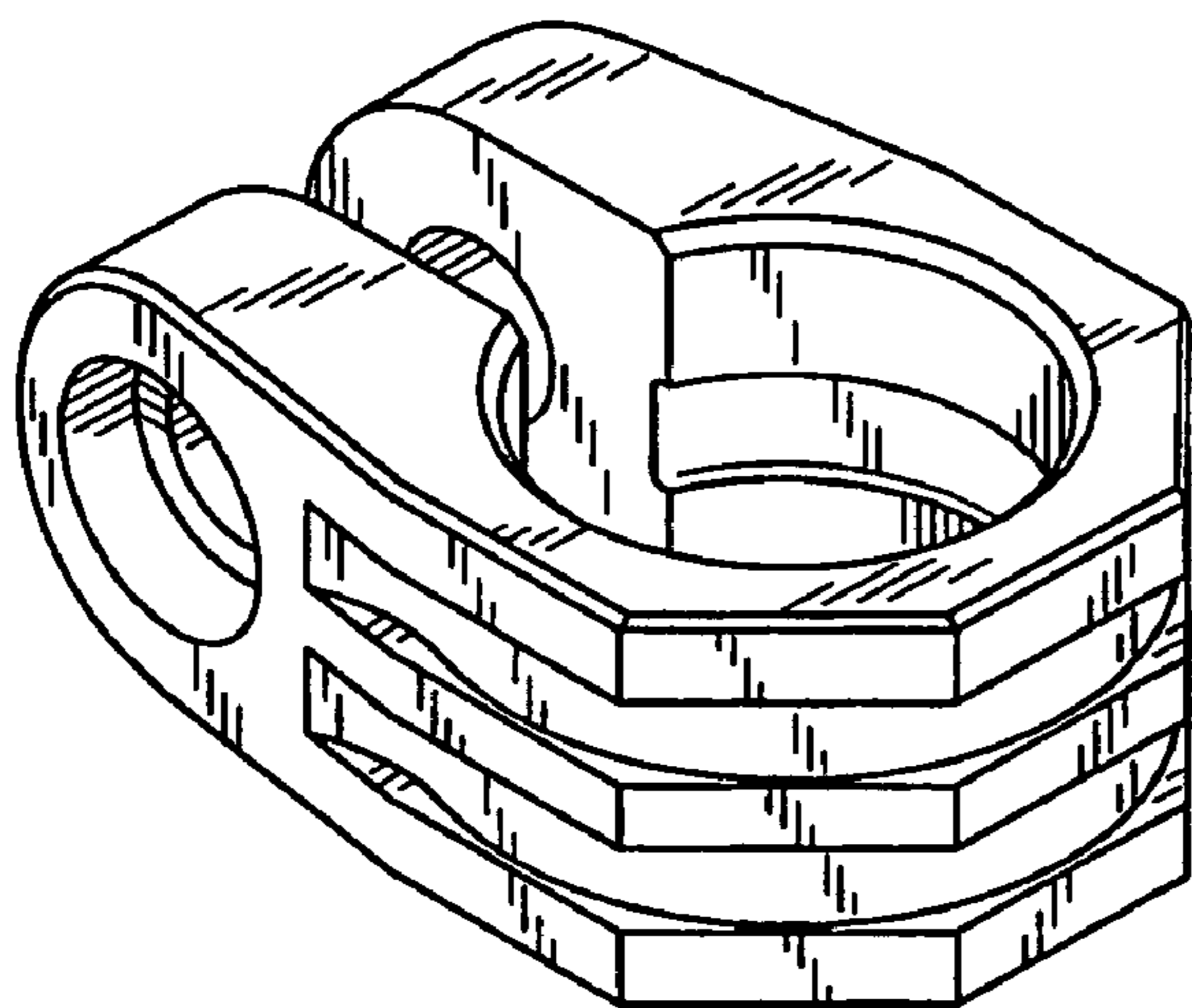
FIG. 11 is a front elevational view thereof;

FIG. 12 is a bottom plan view thereof;

FIG. 13 is a left side elevational view thereof; and,

FIG. 14 is a rear elevational view thereof.

1 Claim, 6 Drawing Sheets



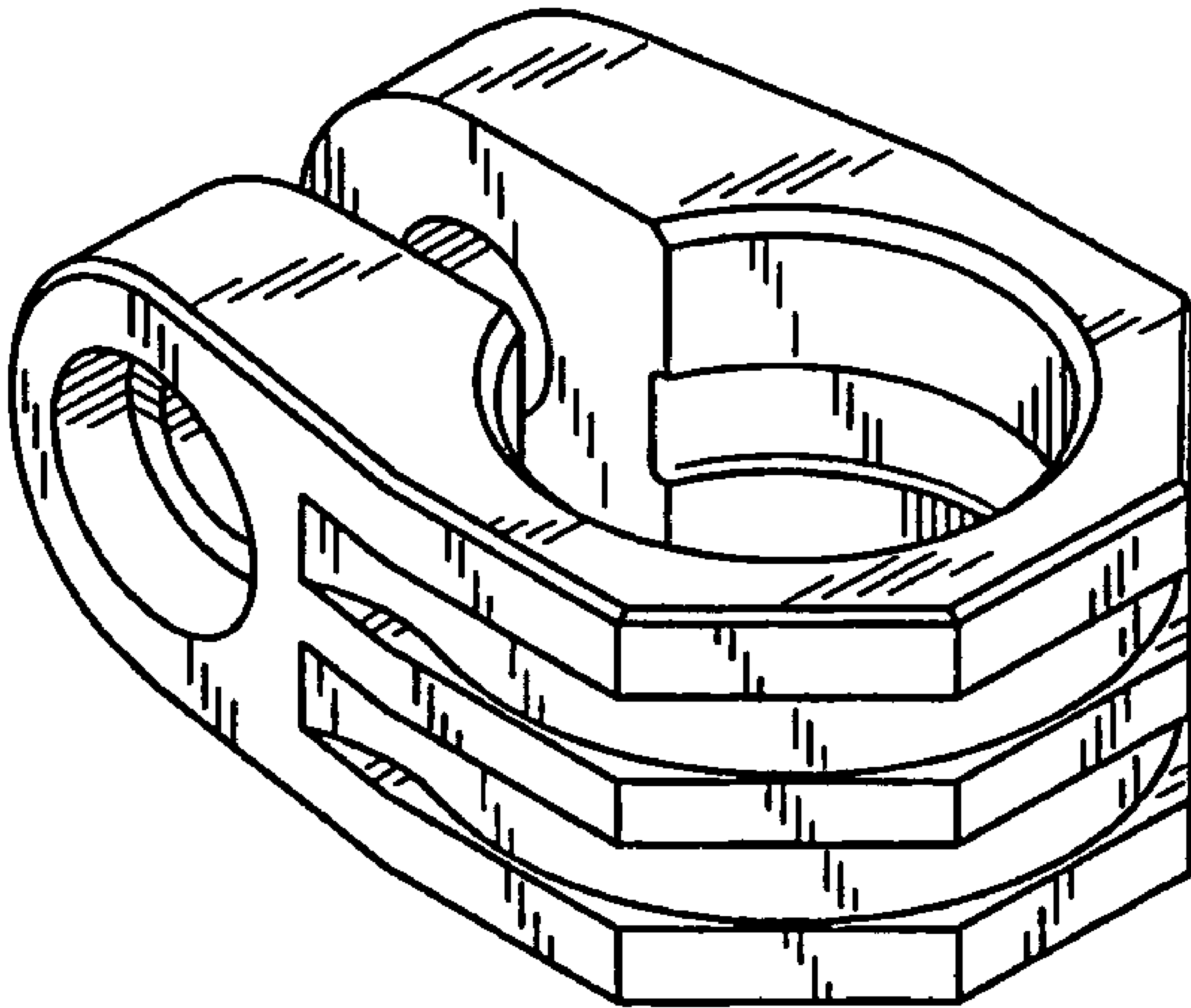


FIG. 1

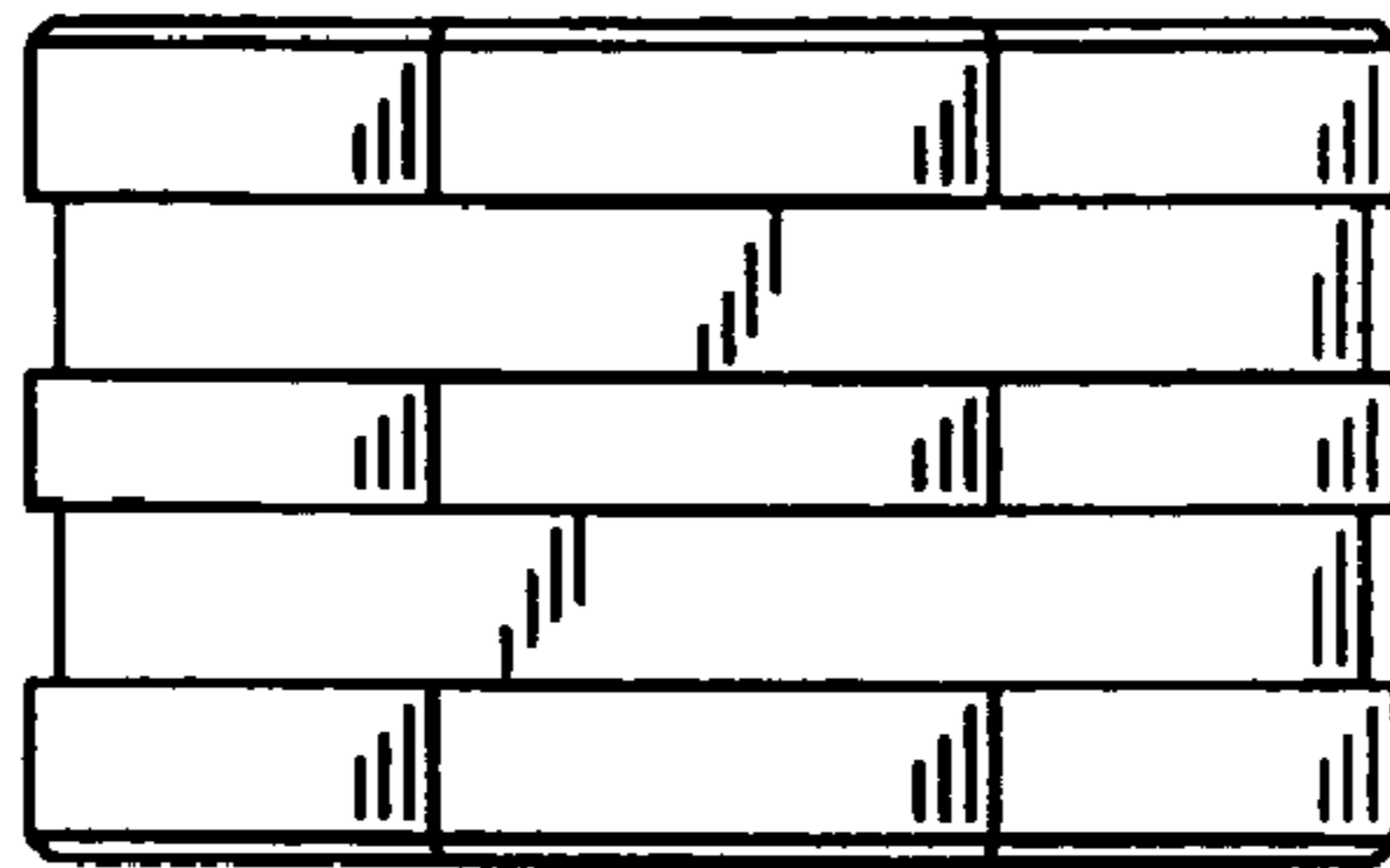


FIG. 2

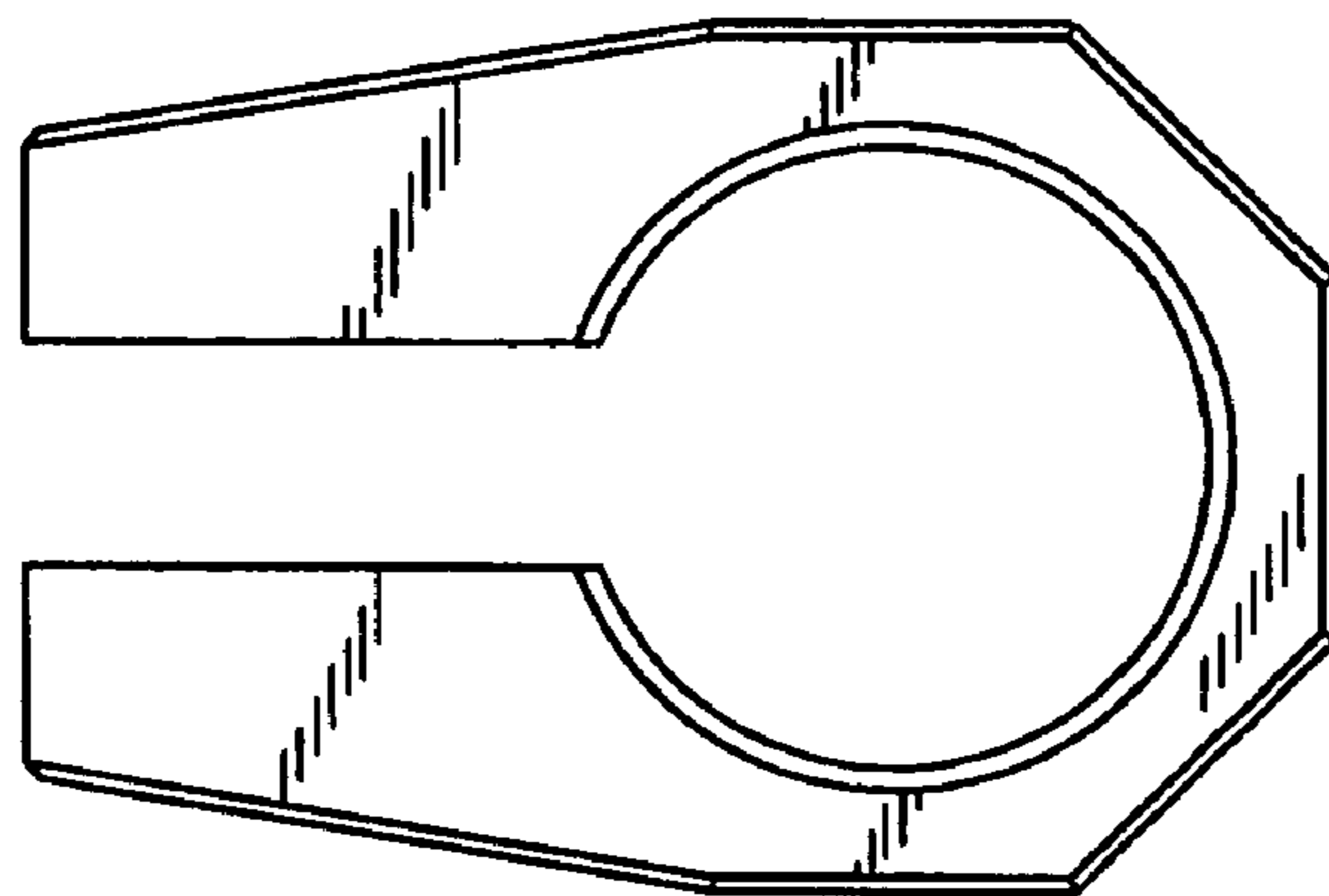


FIG. 3

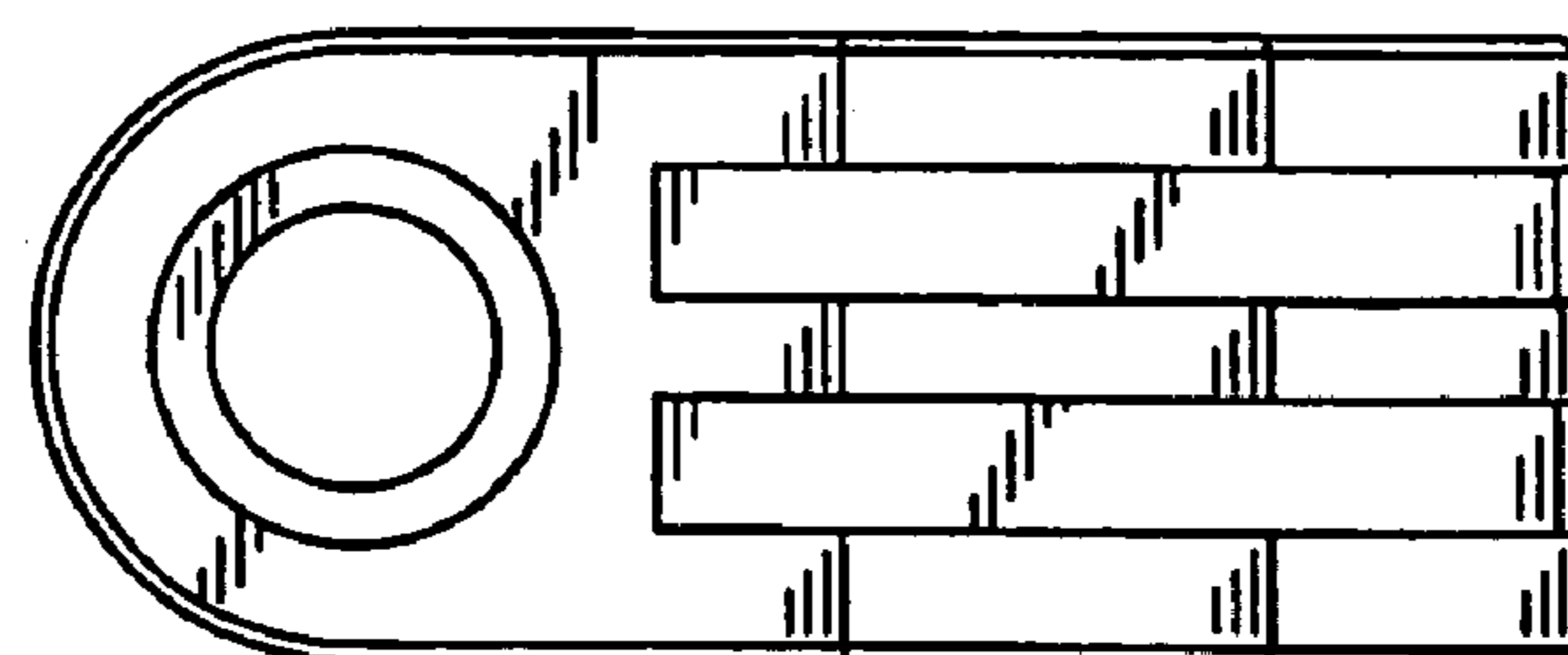


FIG. 4

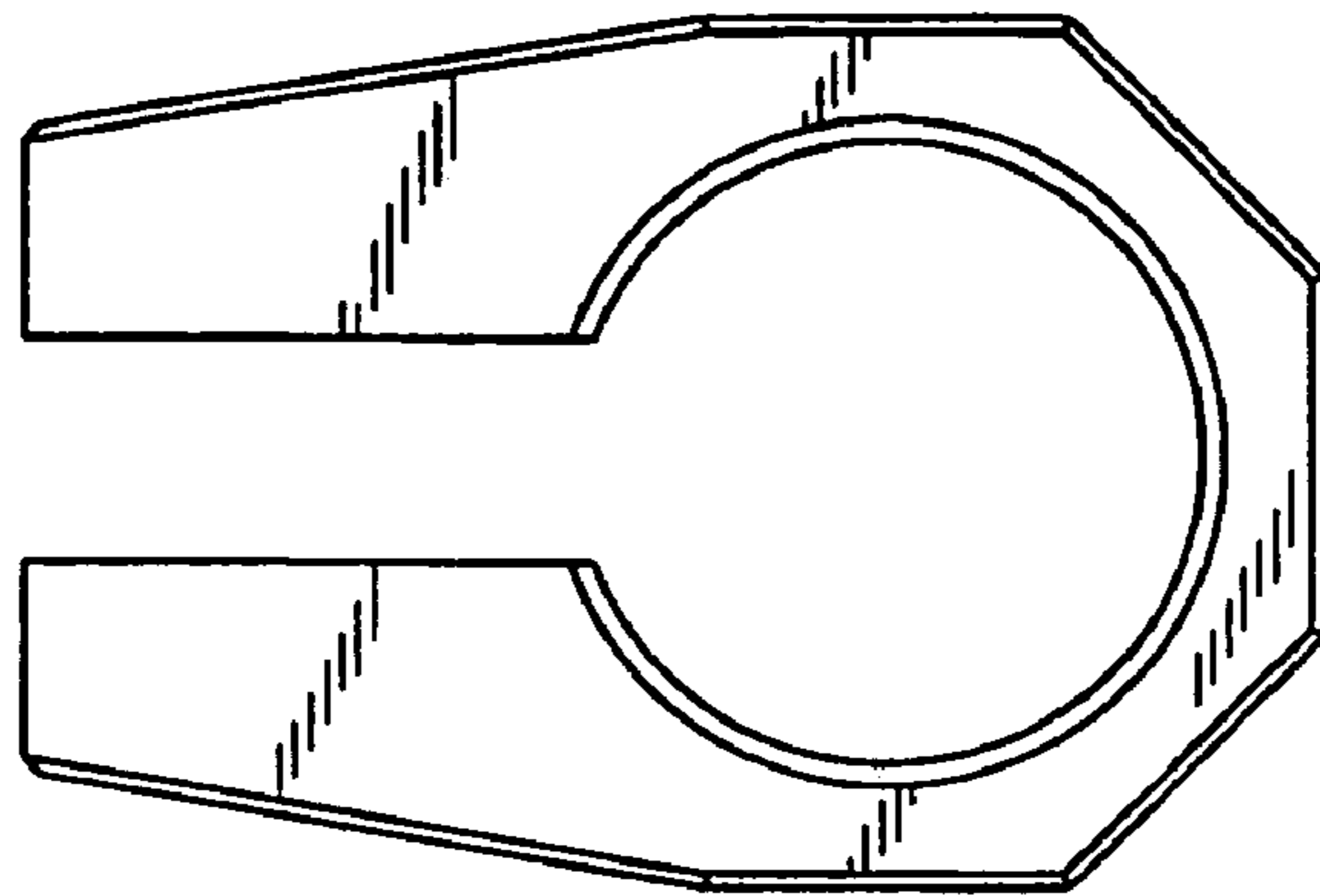


FIG. 5

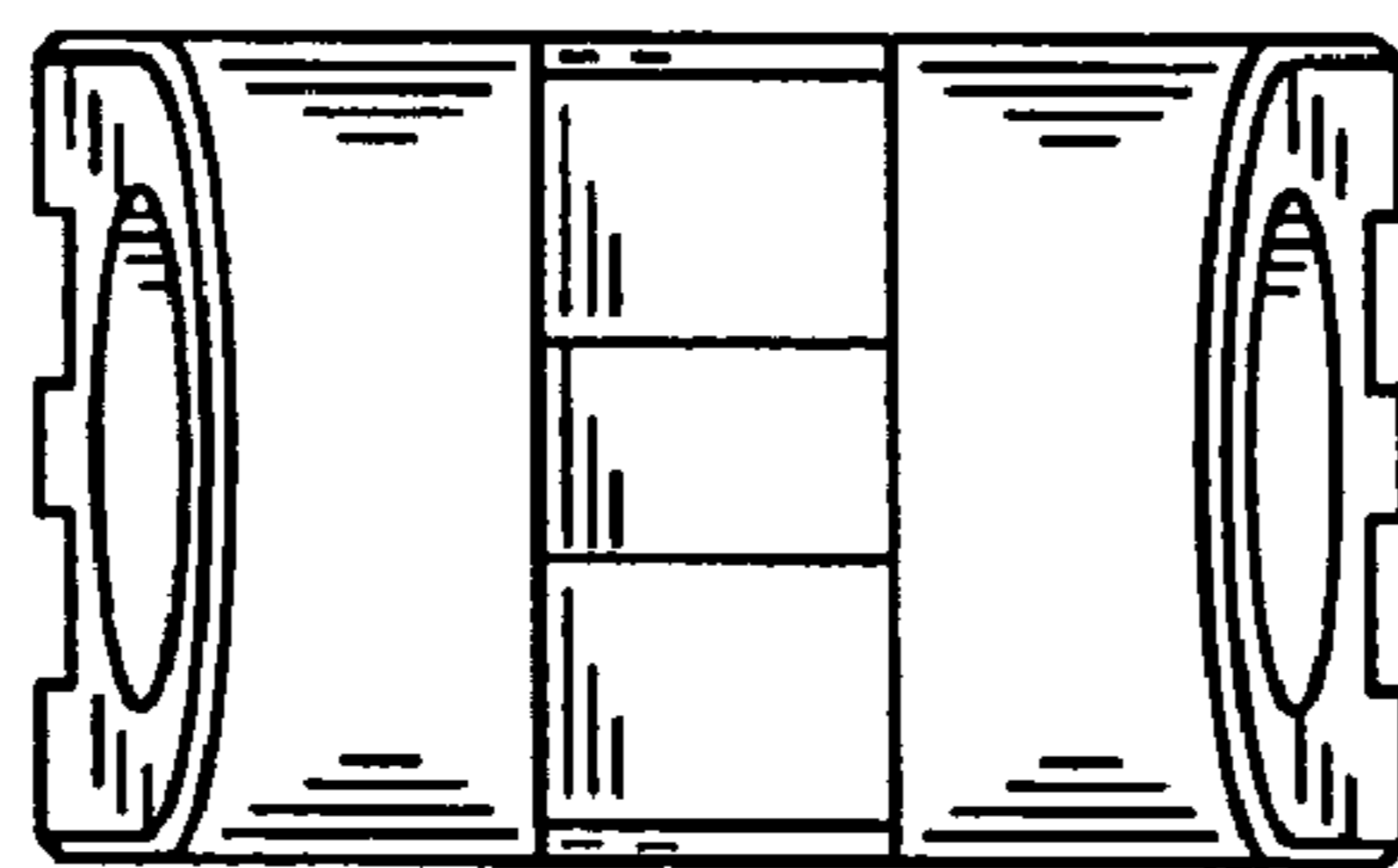


FIG. 6

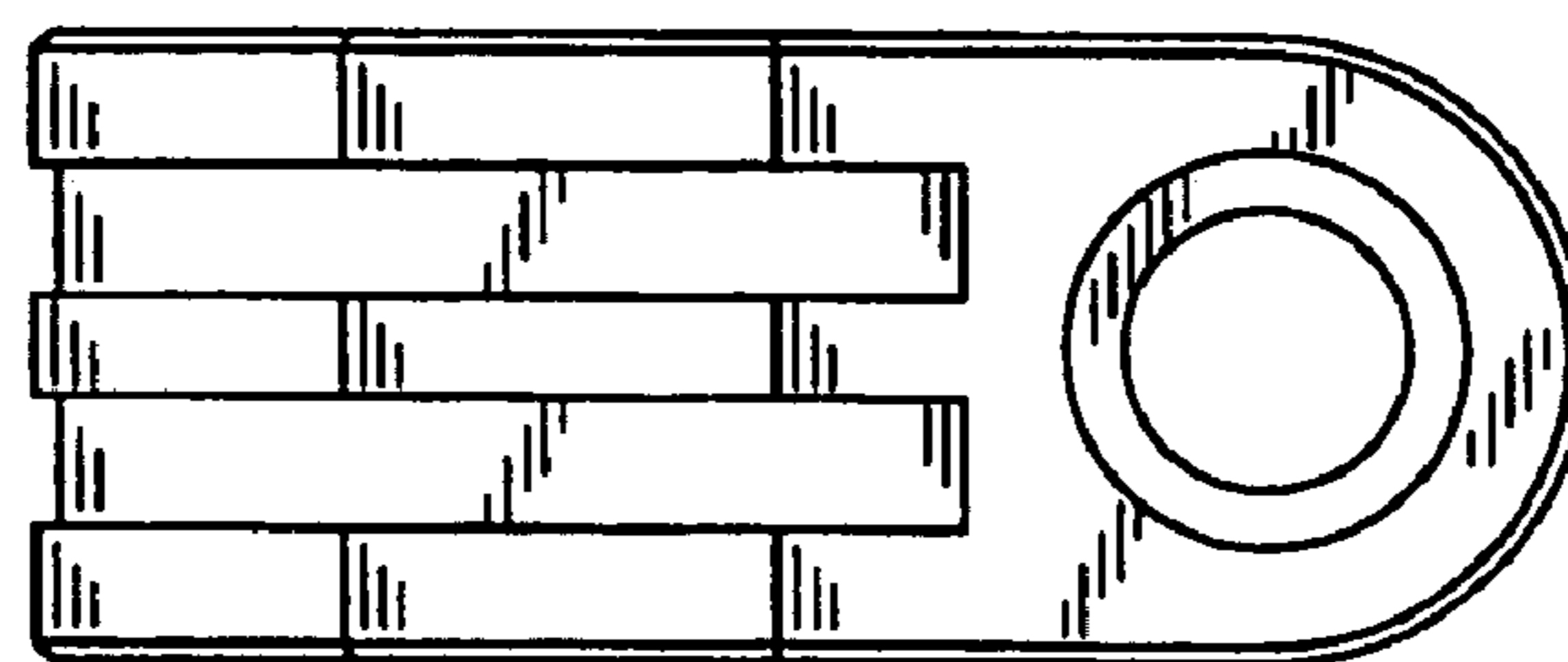


FIG. 7

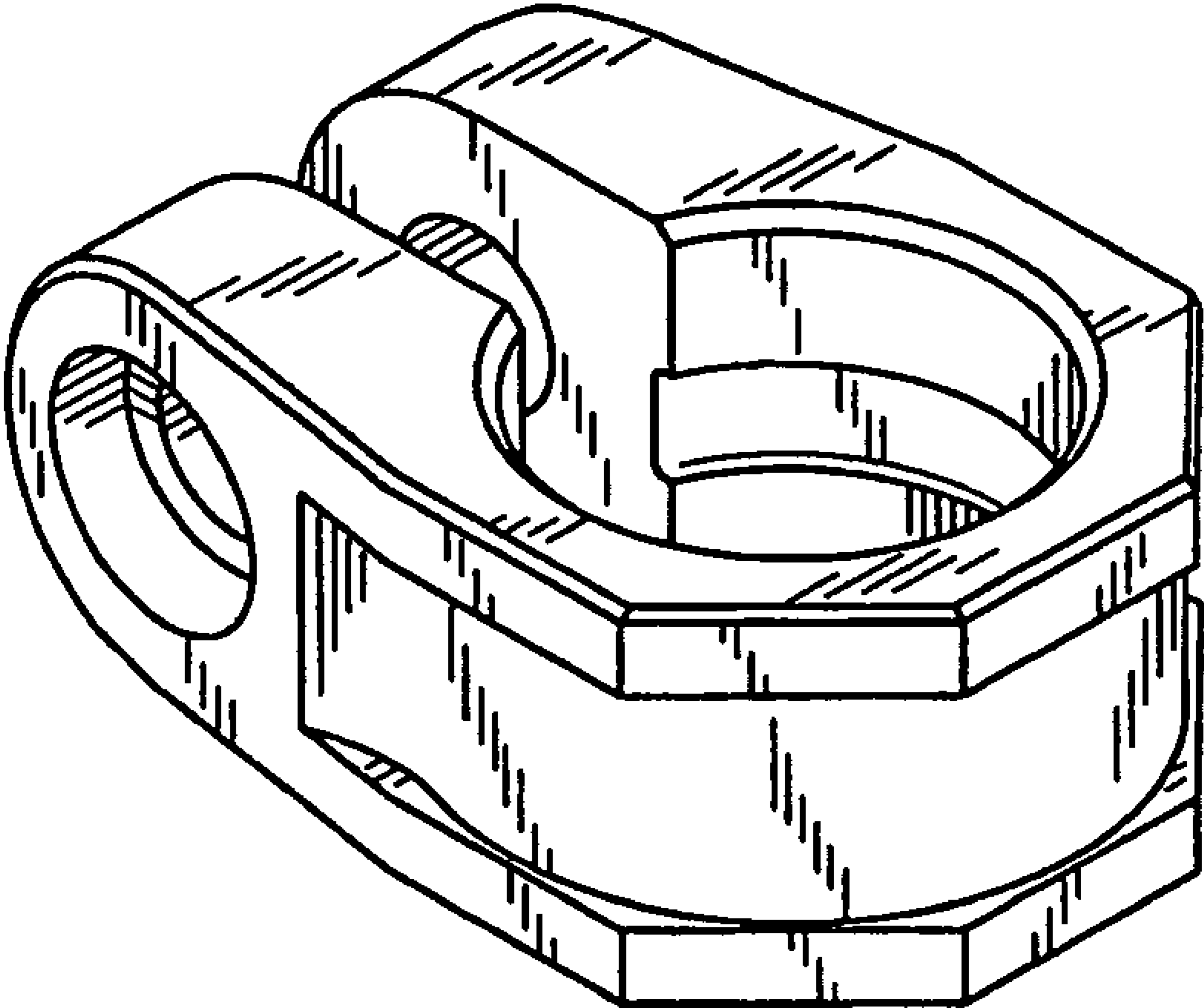


FIG. 8

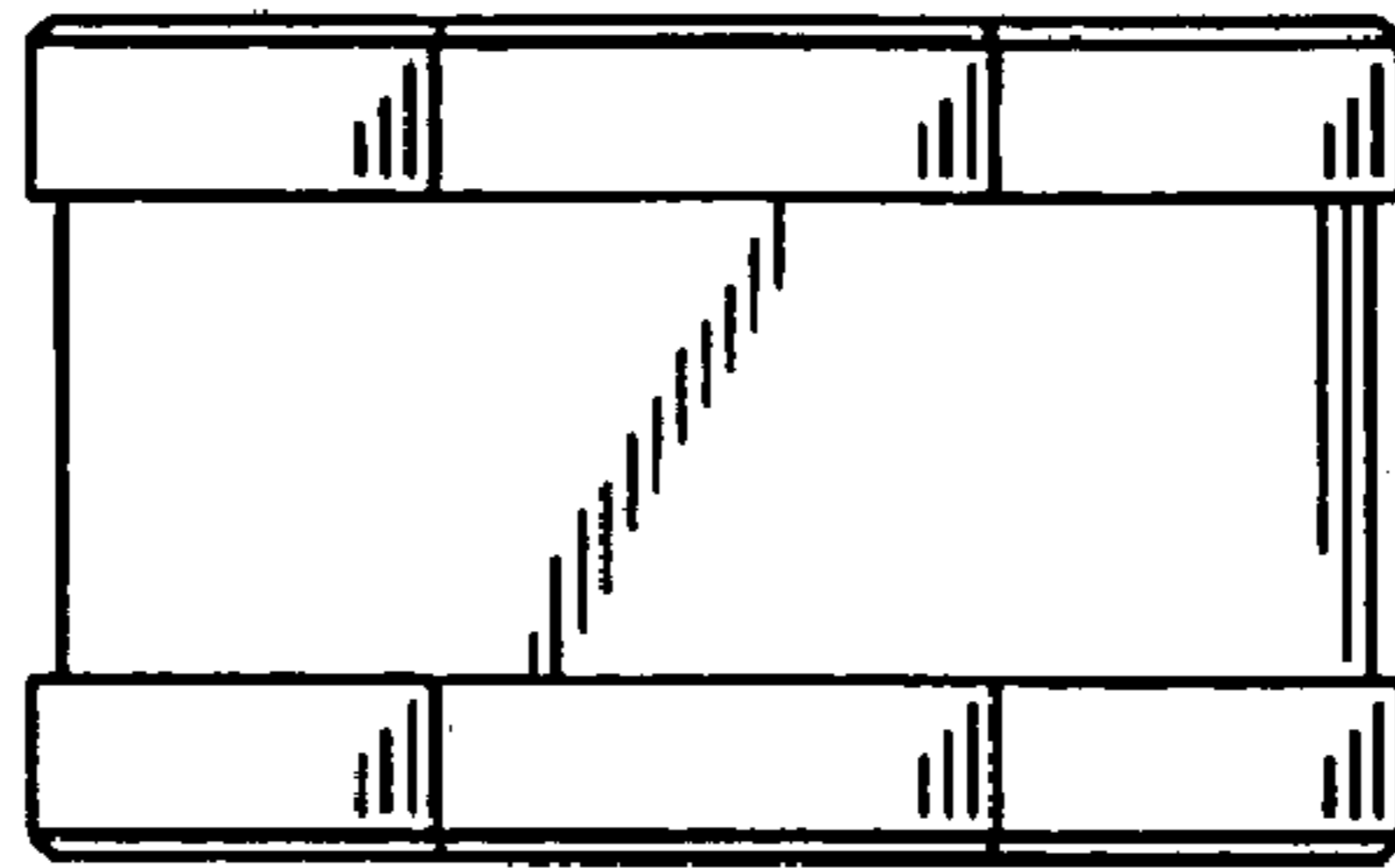


FIG. 9

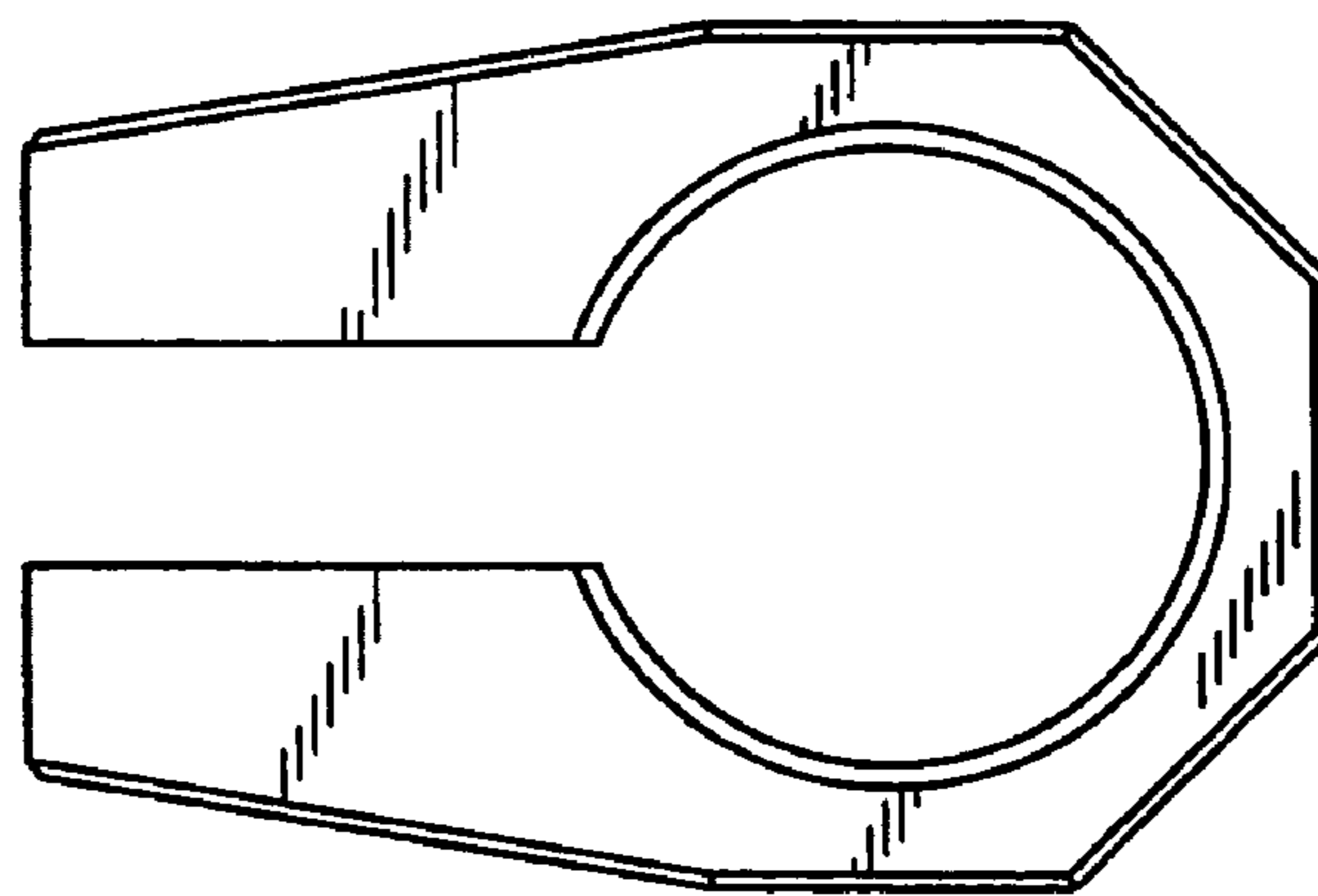


FIG. 10

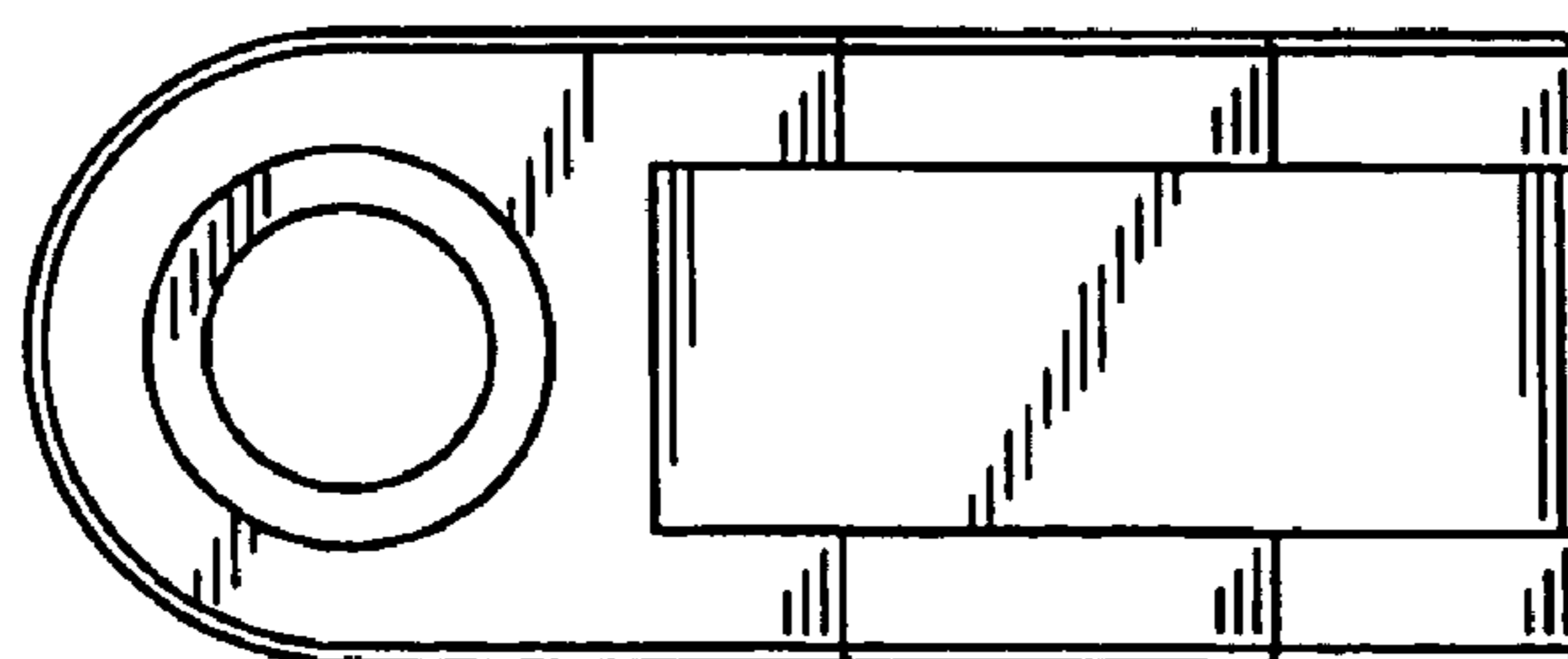


FIG. 11

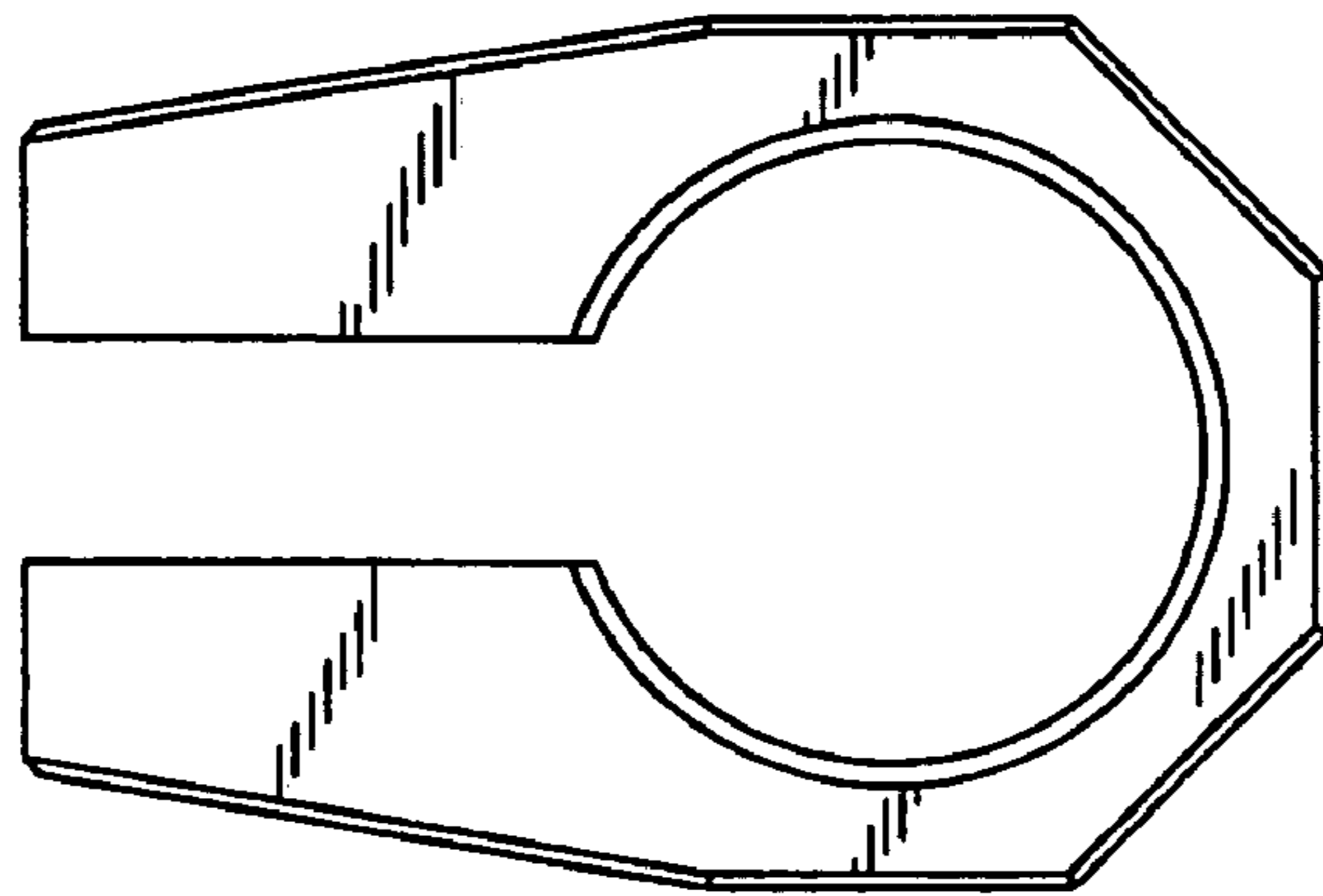


FIG. 12

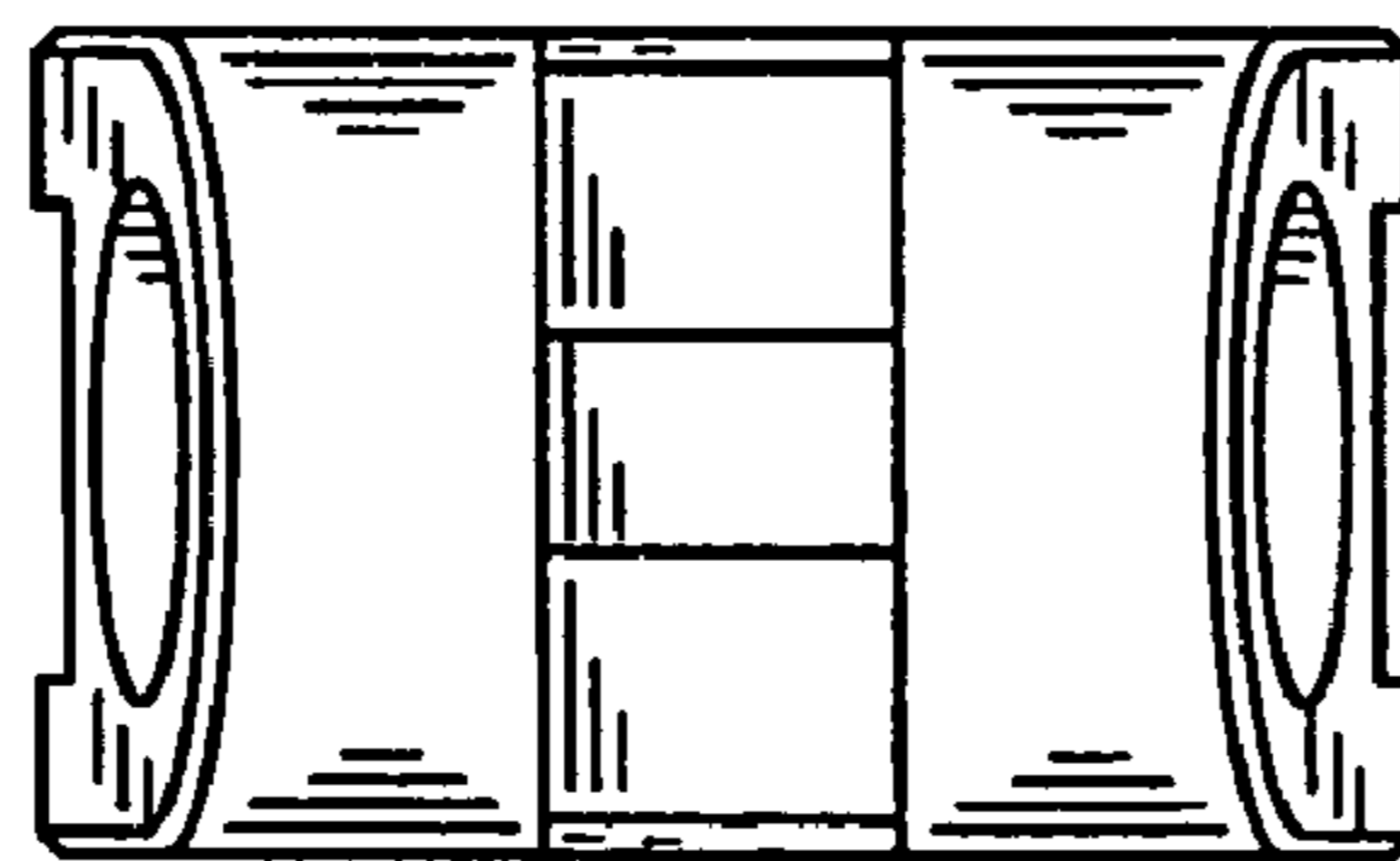


FIG. 13

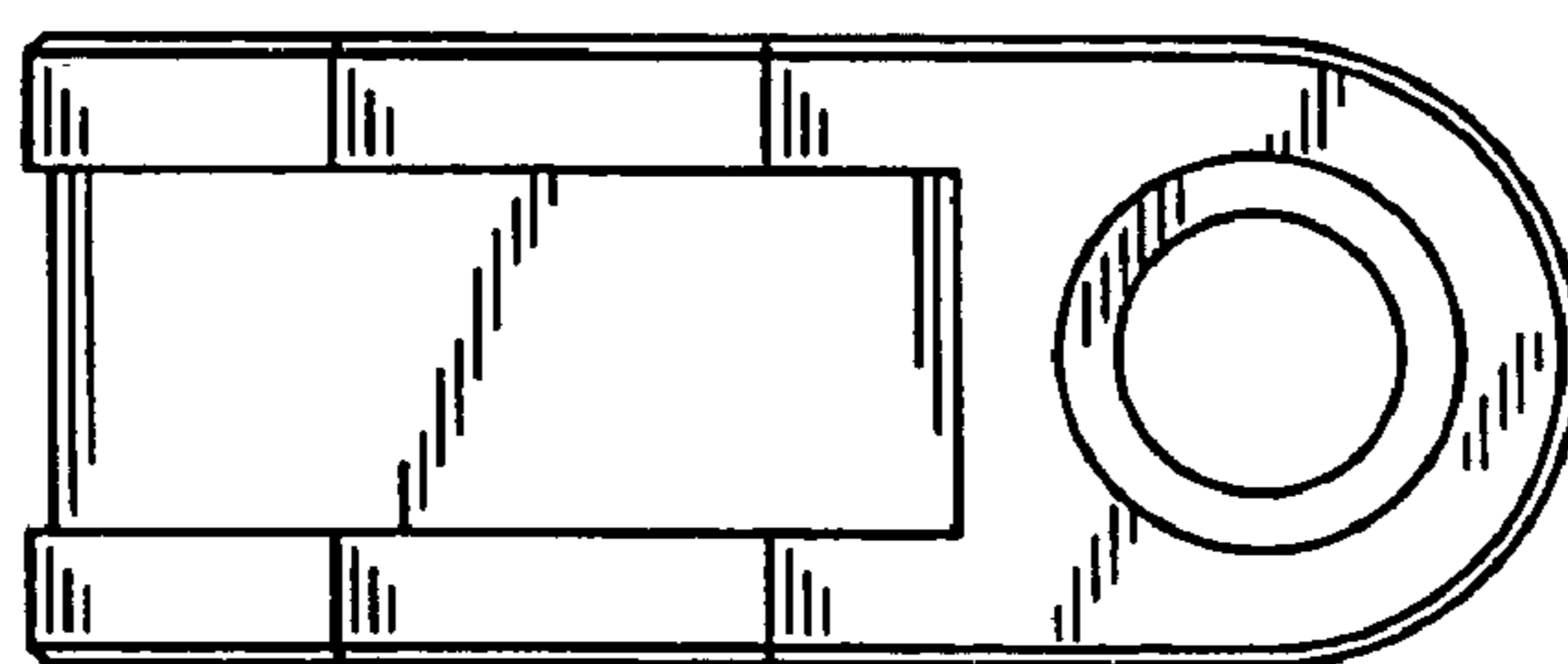


FIG. 14