

US00D550074S

(12) **United States Design Patent**
Lam

(10) **Patent No.:** **US D550,074 S**

(45) **Date of Patent:** **** Sep. 4, 2007**

(54) **MULTI-FUNCTION CLIP**

D532,787 S * 11/2006 Lu D14/408

(75) **Inventor:** **Tze Keung Kenneth Lam**, New Territories (HK)

* cited by examiner

(73) **Assignee:** **Lamma International Limited**, New Territories (HK)

Primary Examiner—Louis S. Zarfaz

Assistant Examiner—John Windmuller

(74) *Attorney, Agent, or Firm*—Abelman, Frayne & Schwab

(**) **Term:** **14 Years**

(57) **CLAIM**

(21) **Appl. No.:** **29/264,231**

The ornamental design for multi-function clip, as shown and described.

(22) **Filed:** **Aug. 4, 2006**

DESCRIPTION

(51) **LOC (8) Cl.** **08-08**

(52) **U.S. Cl.** **D8/395; D3/206**

(58) **Field of Classification Search** D8/356,
D8/371, 394–396; D19/65; 24/22, 67 R,
24/20 S, 115 R, 546, 563, 910, 343, 67.9;
248/74.2, 215, 227.1, 49, 300, 301, 316.7,
248/51, 489

See application file for complete search history.

FIG. 1 is a right side perspective view of multi-function clip showing my new design;

FIG. 2 is a left side perspective view thereof;

FIG. 3 is a front elevational view thereof;

FIG. 4 is a left side elevational view thereof;

FIG. 5 is a top plan view thereof;

FIG. 6 is a right side elevational view thereof;

FIG. 7 is a rear elevational view thereof; and,

FIG. 8 is a bottom plan view thereof.

The broken line showing of a pen is included for the purpose of illustrating environment and forms no part of the claimed design.

(56) **References Cited**

U.S. PATENT DOCUMENTS

- 4,980,955 A * 1/1991 Krauss 24/594.1
- D323,530 S * 1/1992 Cowan D19/56
- D373,098 S * 8/1996 Lee et al. D11/215
- D411,189 S * 6/1999 Liao et al. D14/409
- D425,783 S * 5/2000 Ishida et al. D8/383
- D511,678 S * 11/2005 Stotts D8/394

1 Claim, 4 Drawing Sheets

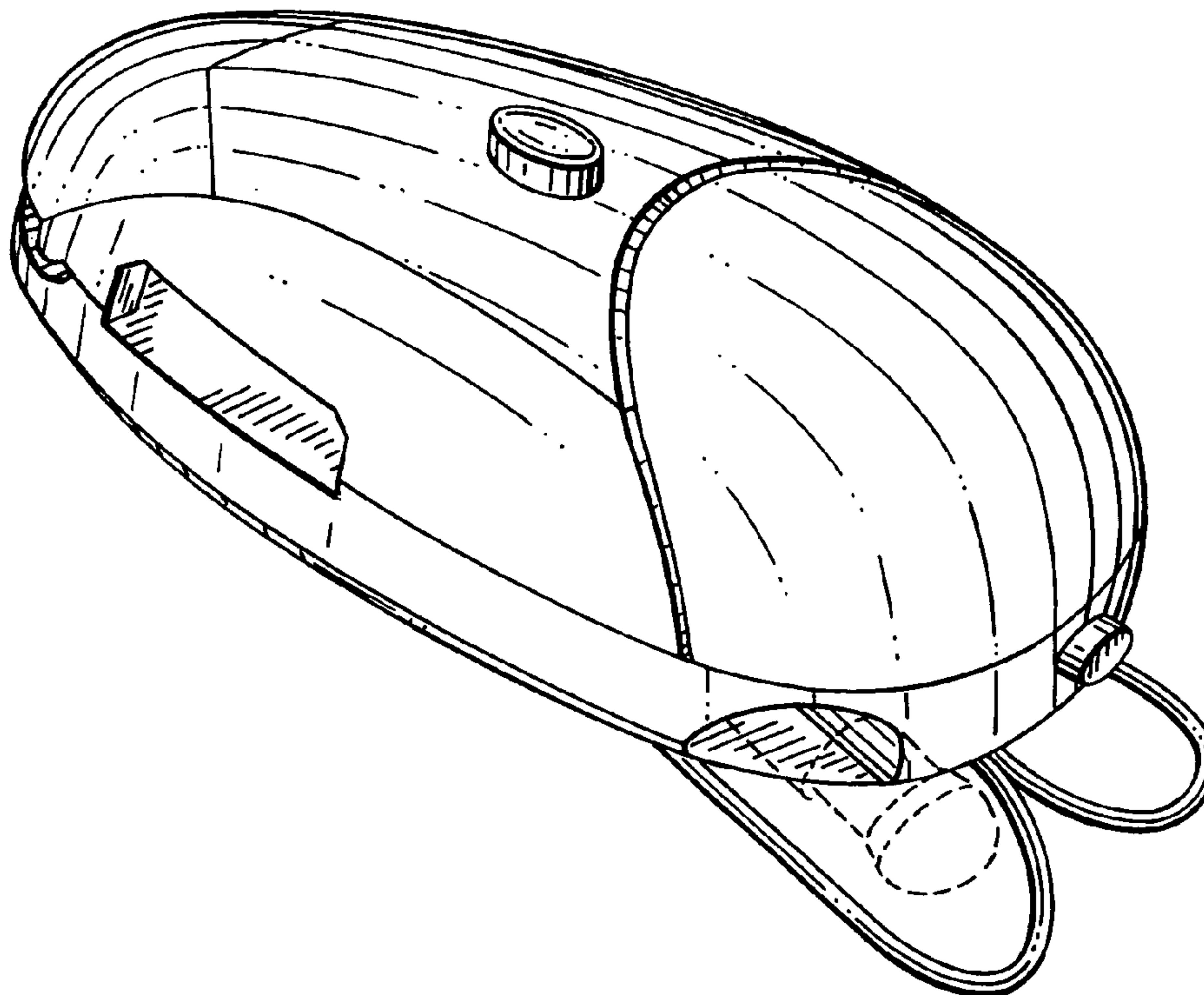


FIG. 1

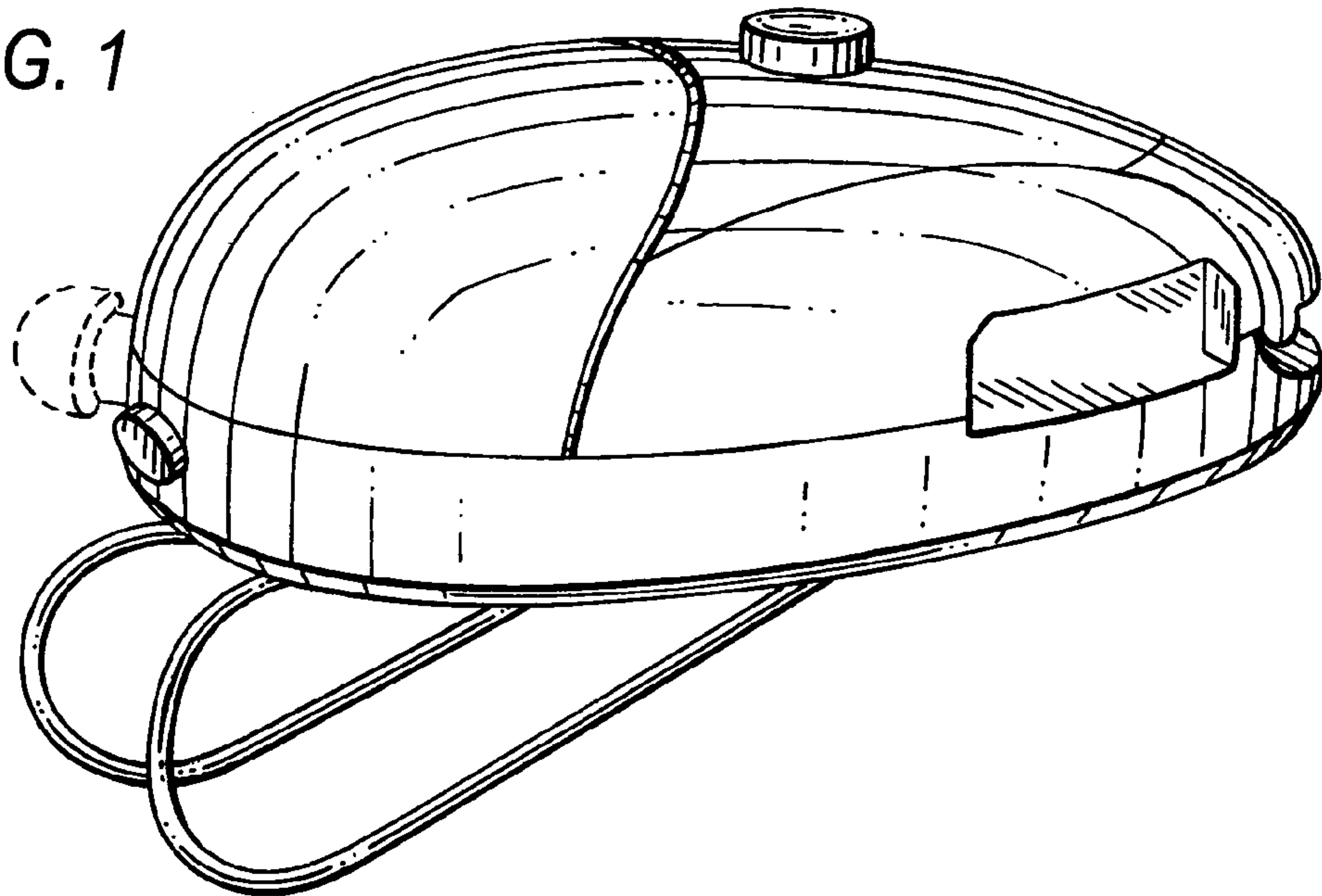
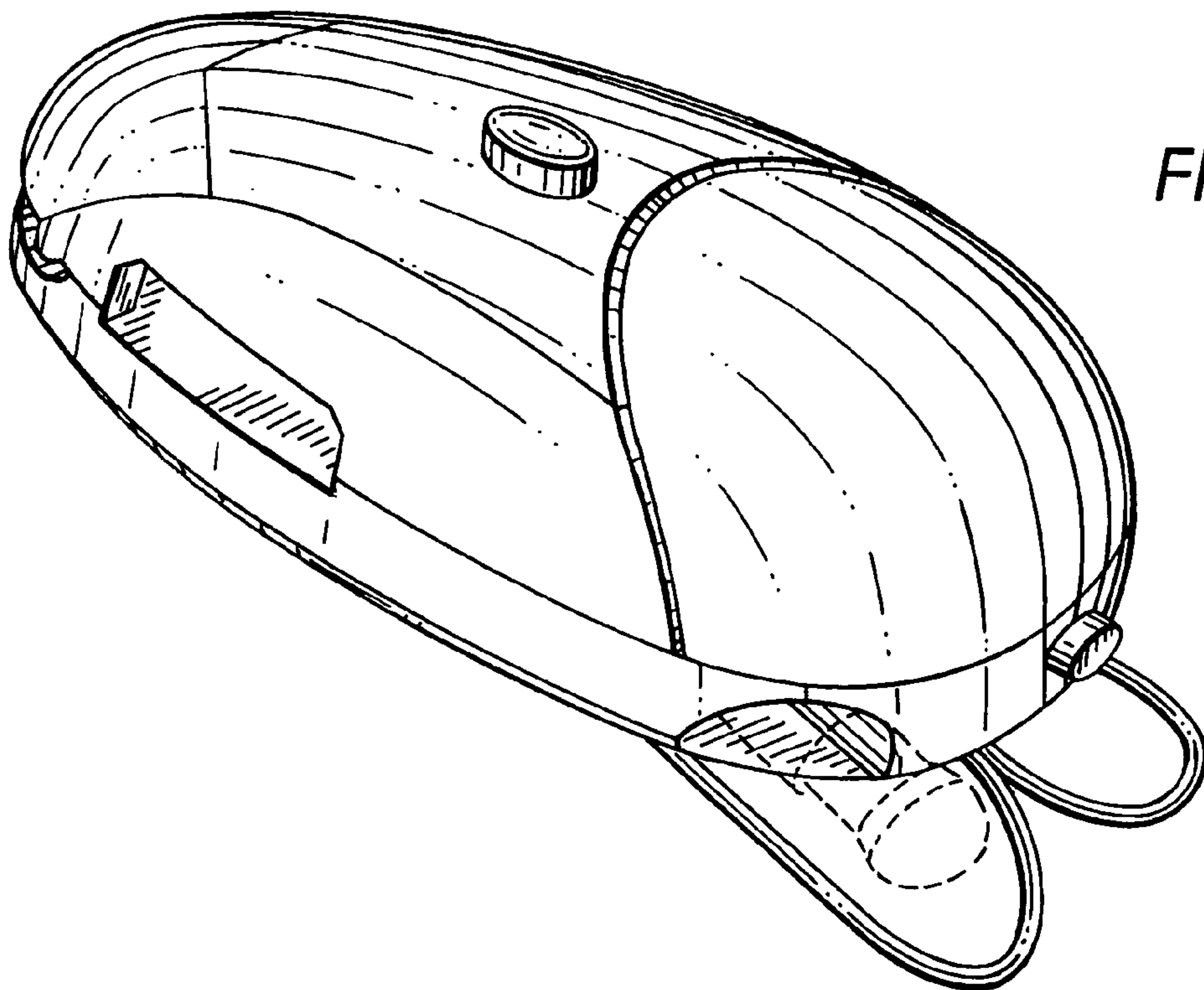


FIG. 2



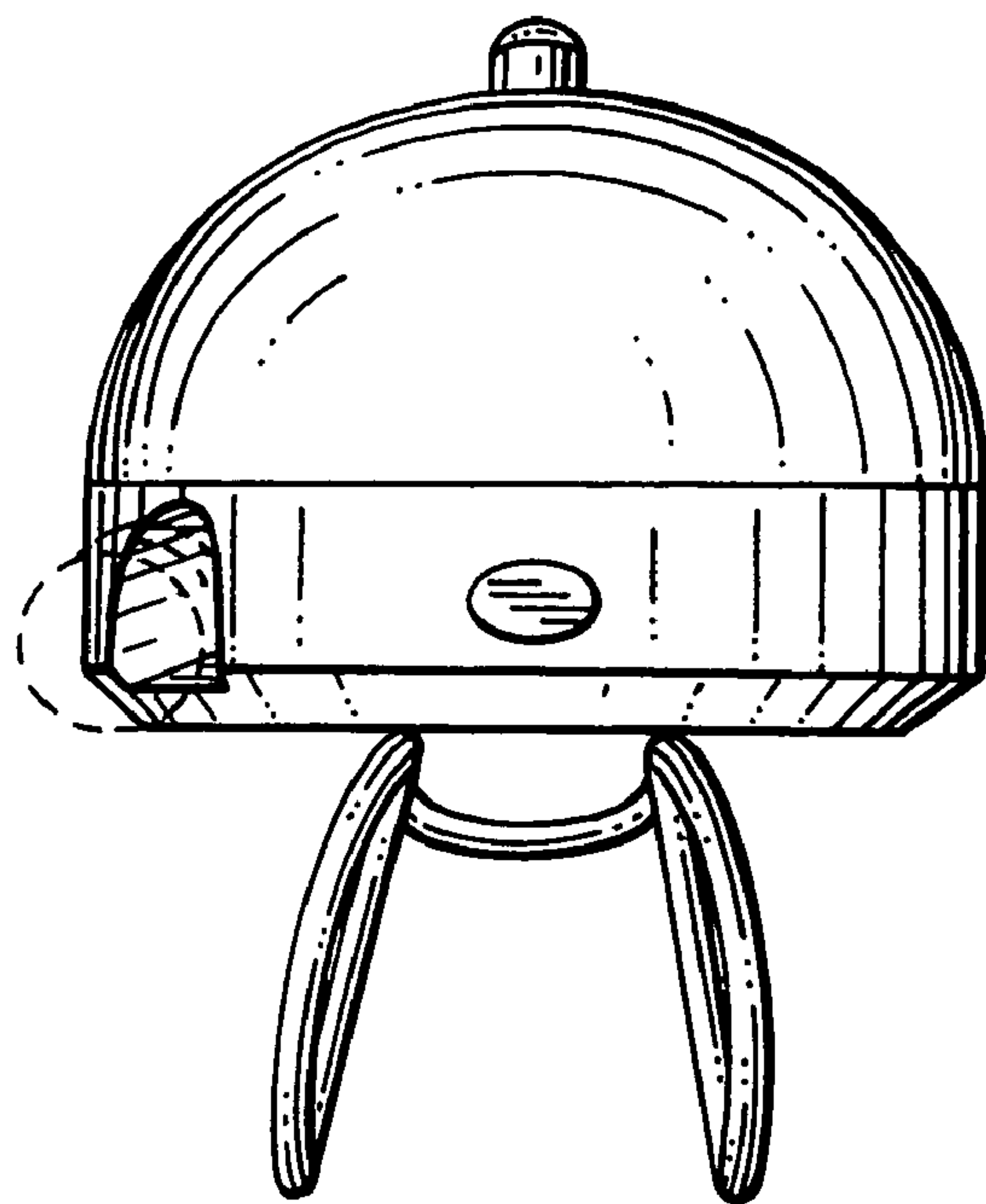


FIG. 3

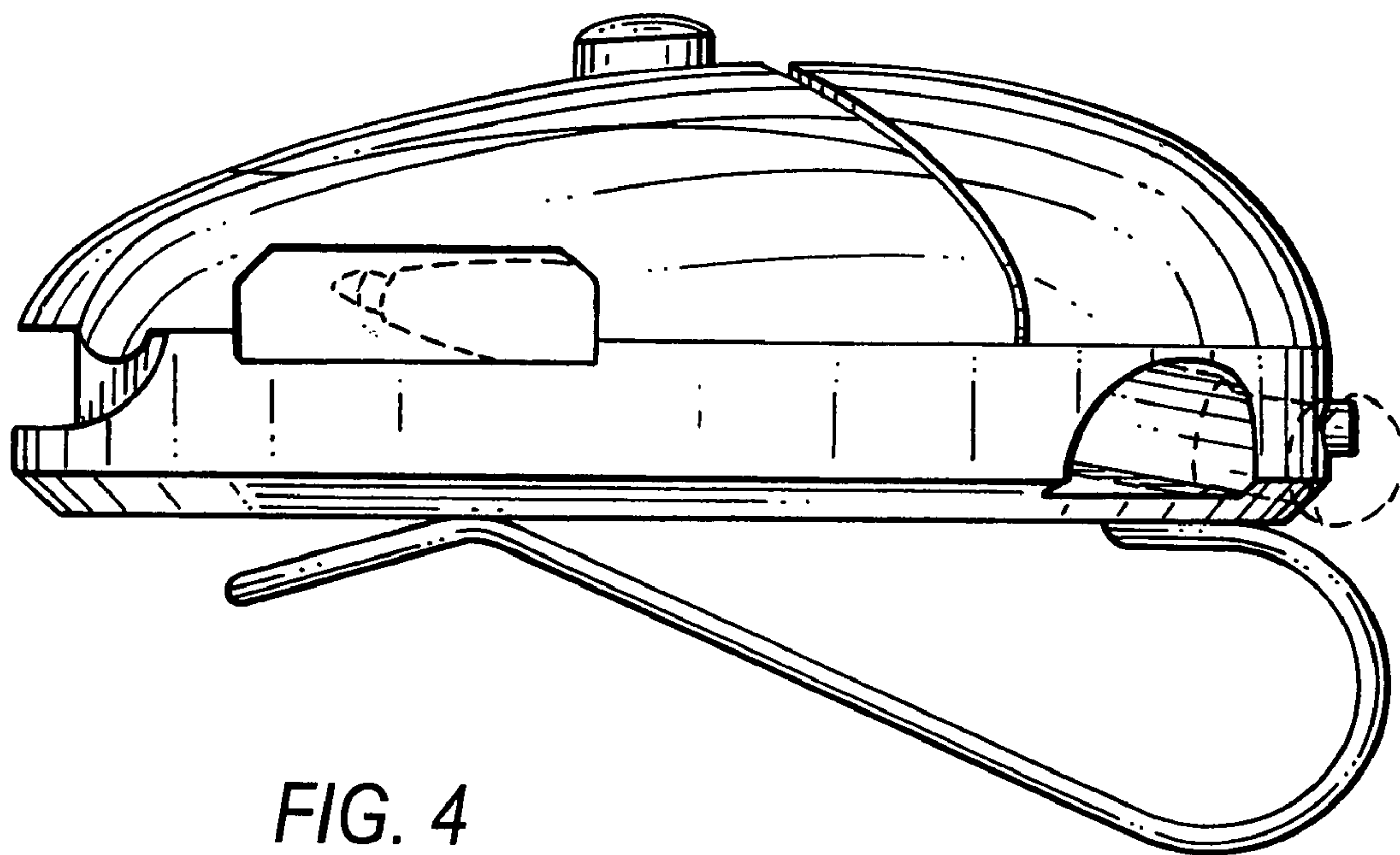


FIG. 4

FIG. 5

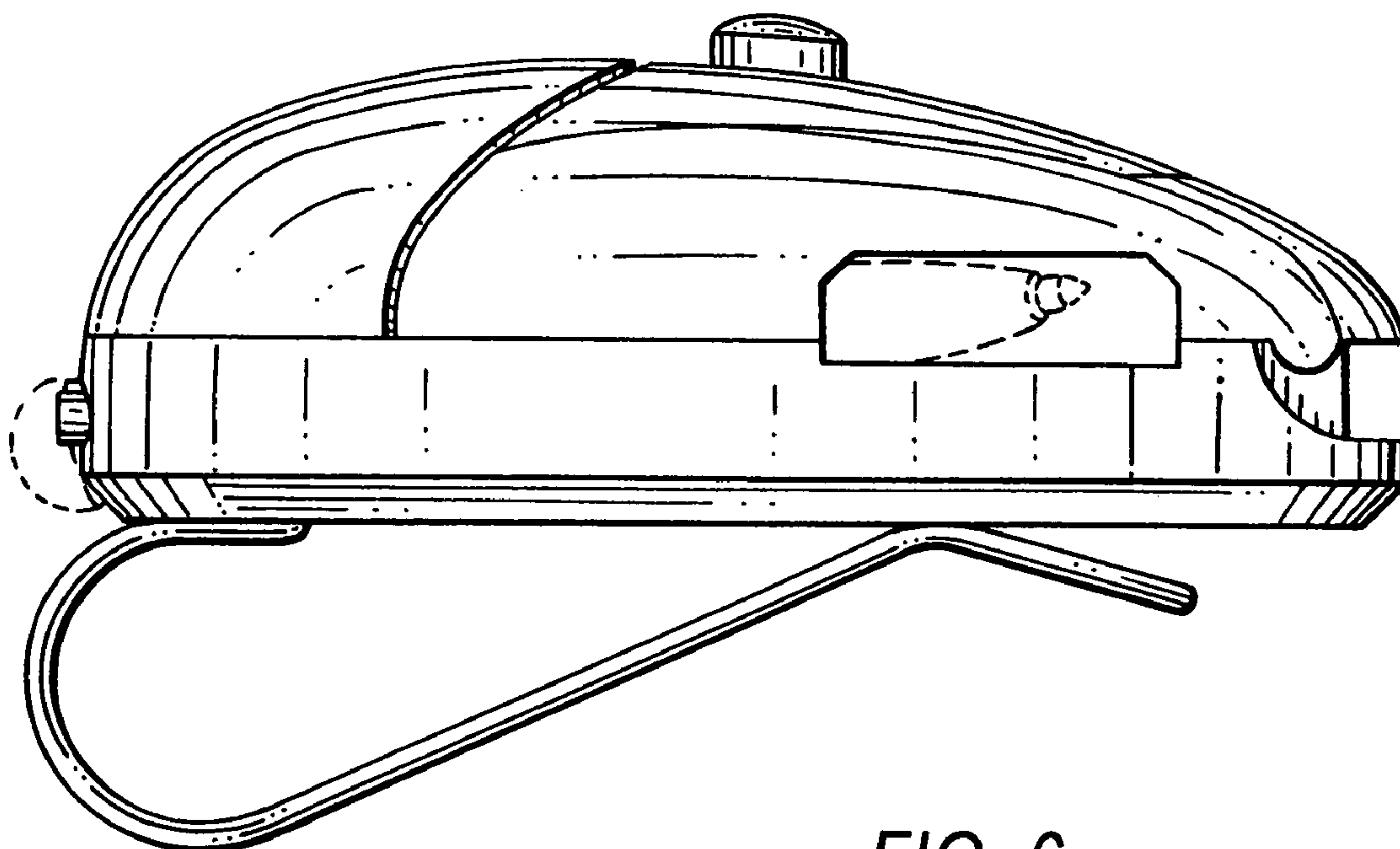
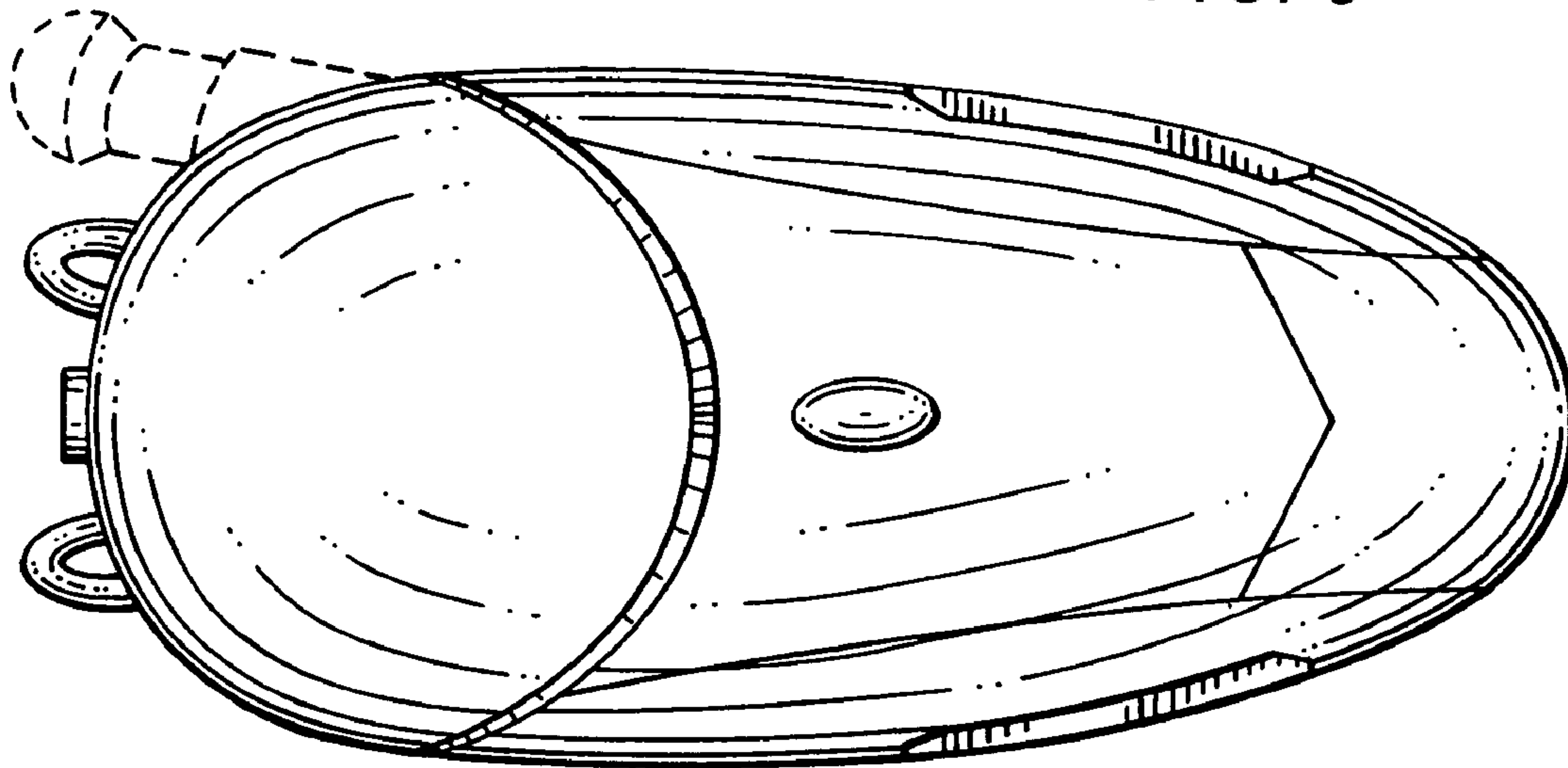


FIG. 6

FIG. 7

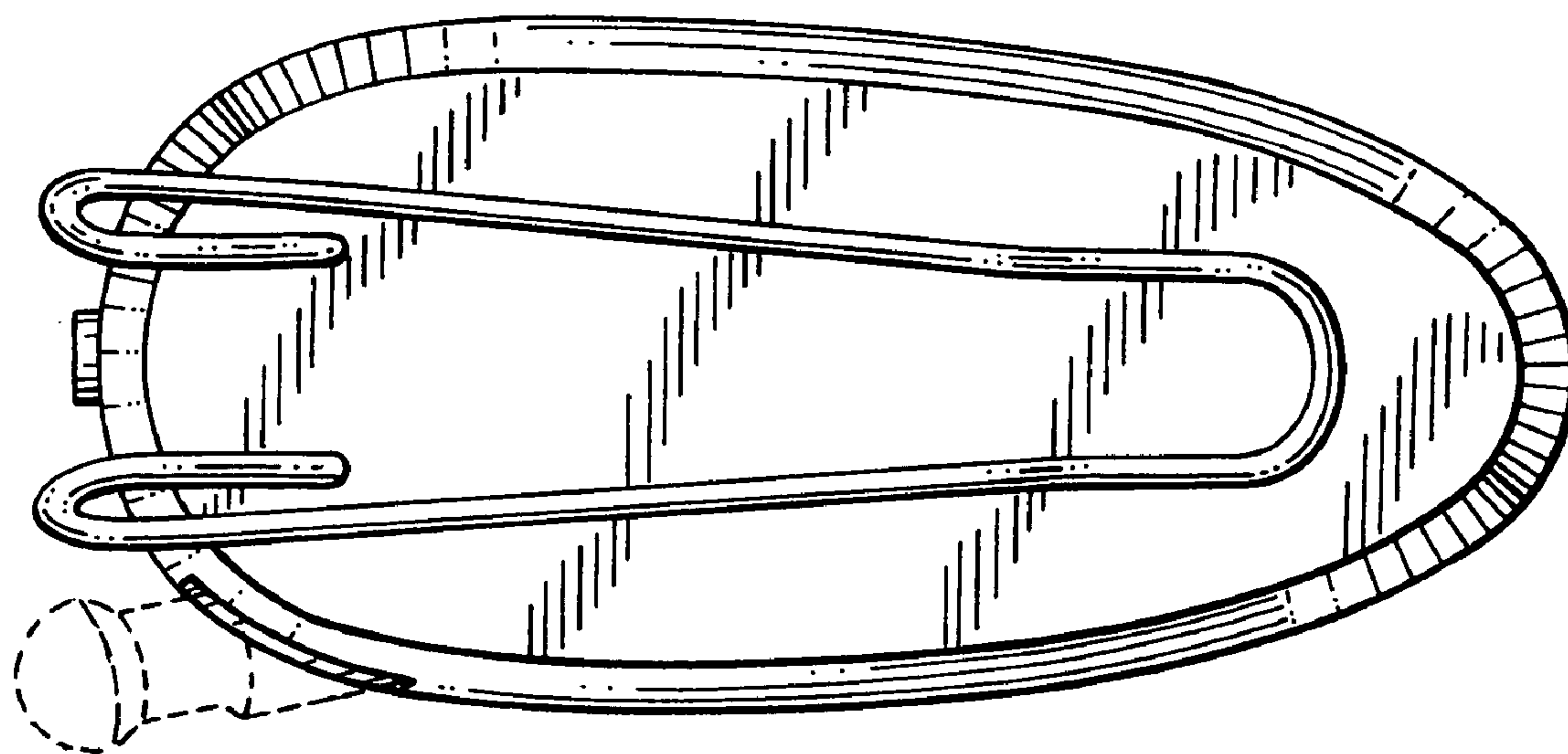
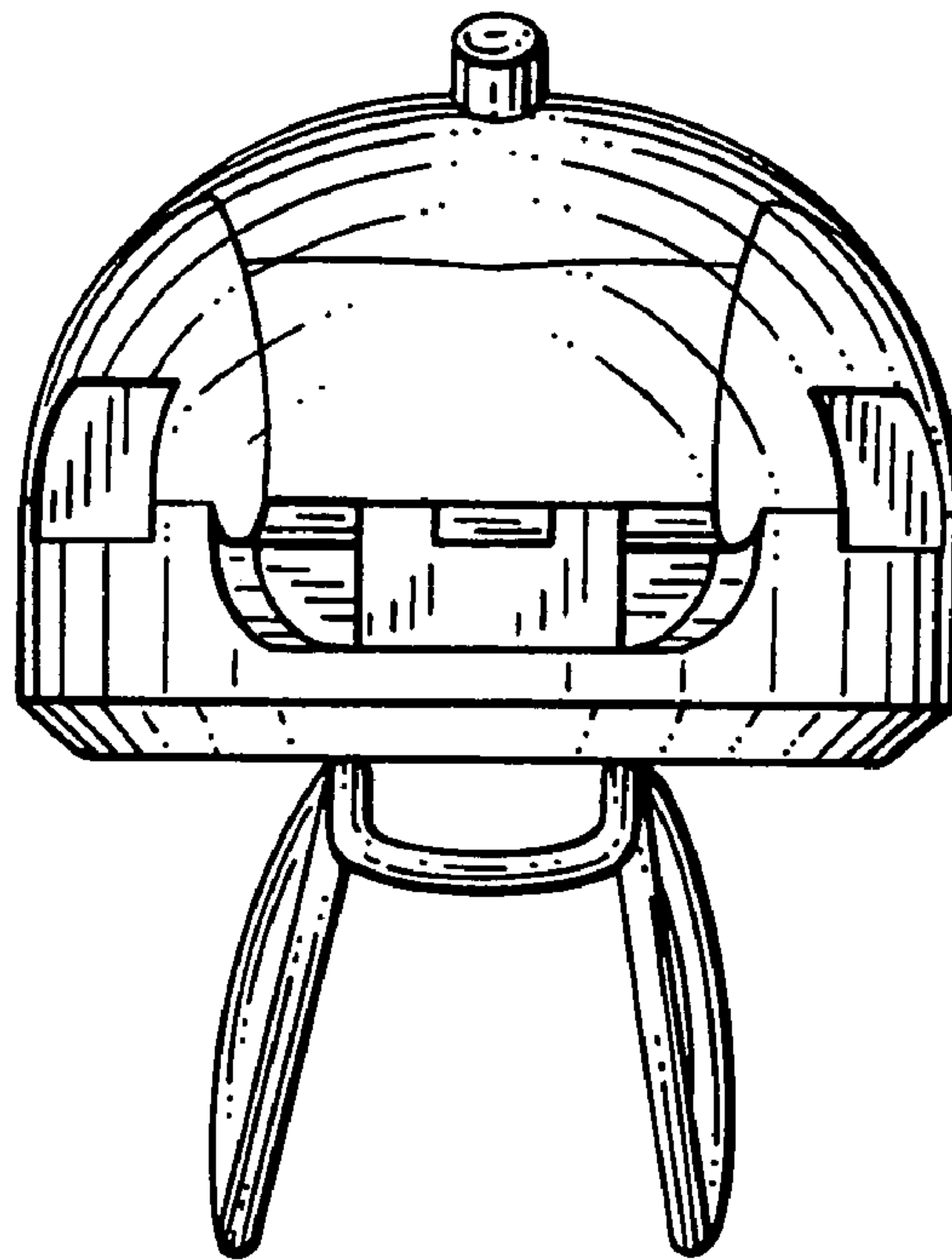


FIG. 8