



US00D550072S

(12) **United States Design Patent**  
**Ardern**

(10) **Patent No.:** **US D550,072 S**

(45) **Date of Patent:** **\*\* Sep. 4, 2007**

(54) **GROUND ANCHOR**

(76) **Inventor:** **Fergus Johnathan Ardern**, Newlands,  
9 School Lane, Thorpe St. Andrew,  
Norwich, Norfolk (GB) NR7 0EP

(\*\*) **Term:** **14 Years**

(21) **Appl. No.:** **29/239,782**

(22) **Filed:** **Oct. 4, 2005**

(30) **Foreign Application Priority Data**

Apr. 5, 2005 (GB) ..... 0506909  
May 13, 2005 (GB) ..... 3021235

(51) **LOC (8) Cl.** ..... **08-08**

(52) **U.S. Cl.** ..... **D8/387**

(58) **Field of Classification Search** ..... 411/80.1,  
411/81, 178, 378, 382, 383, 393, 394, 407,  
411/403; D8/4, 47, 382, 384, 385, 387, 388,  
D8/391; 52/87, 156, 157; 248/87, 156,  
248/545

See application file for complete search history.

(56) **References Cited**

**U.S. PATENT DOCUMENTS**

3,752,030 A \* 8/1973 Steurer ..... 411/411  
D264,807 S \* 6/1982 Baumgartner ..... D8/387  
5,199,839 A \* 4/1993 DeHaitre ..... 411/387.3  
5,375,957 A \* 12/1994 Golledge ..... 411/453  
D357,855 S \* 5/1995 Keith et al. .... D8/384  
5,457,918 A \* 10/1995 Plourde ..... 52/165

5,540,531 A \* 7/1996 Choiniere ..... 411/387.1  
D415,955 S \* 11/1999 Paulson ..... D8/388  
D418,743 S \* 1/2000 Hollis ..... D8/387  
6,032,880 A \* 3/2000 Verrills et al. .... 248/530  
6,223,375 B1 \* 5/2001 Vaughan, Jr. .... 7/138  
6,332,741 B1 \* 12/2001 Janusz ..... 411/412  
6,923,611 B2 \* 8/2005 Kenny ..... 411/411  
7,156,600 B2 \* 1/2007 Panasik et al. .... 411/411  
2003/0231941 A1 \* 12/2003 Kenny ..... 411/411  
2004/0163336 A1 \* 8/2004 Hsu ..... 52/157  
2006/0060749 A1 \* 3/2006 Dahlstrom ..... 248/545

\* cited by examiner

*Primary Examiner*—Holly H. Baynham

*Assistant Examiner*—Sheryl Friedman

(74) *Attorney, Agent, or Firm*—Synnestvedt & Lechner LLP

(57) **CLAIM**

I claim the ornamental design for a ground anchor, as shown and described.

**DESCRIPTION**

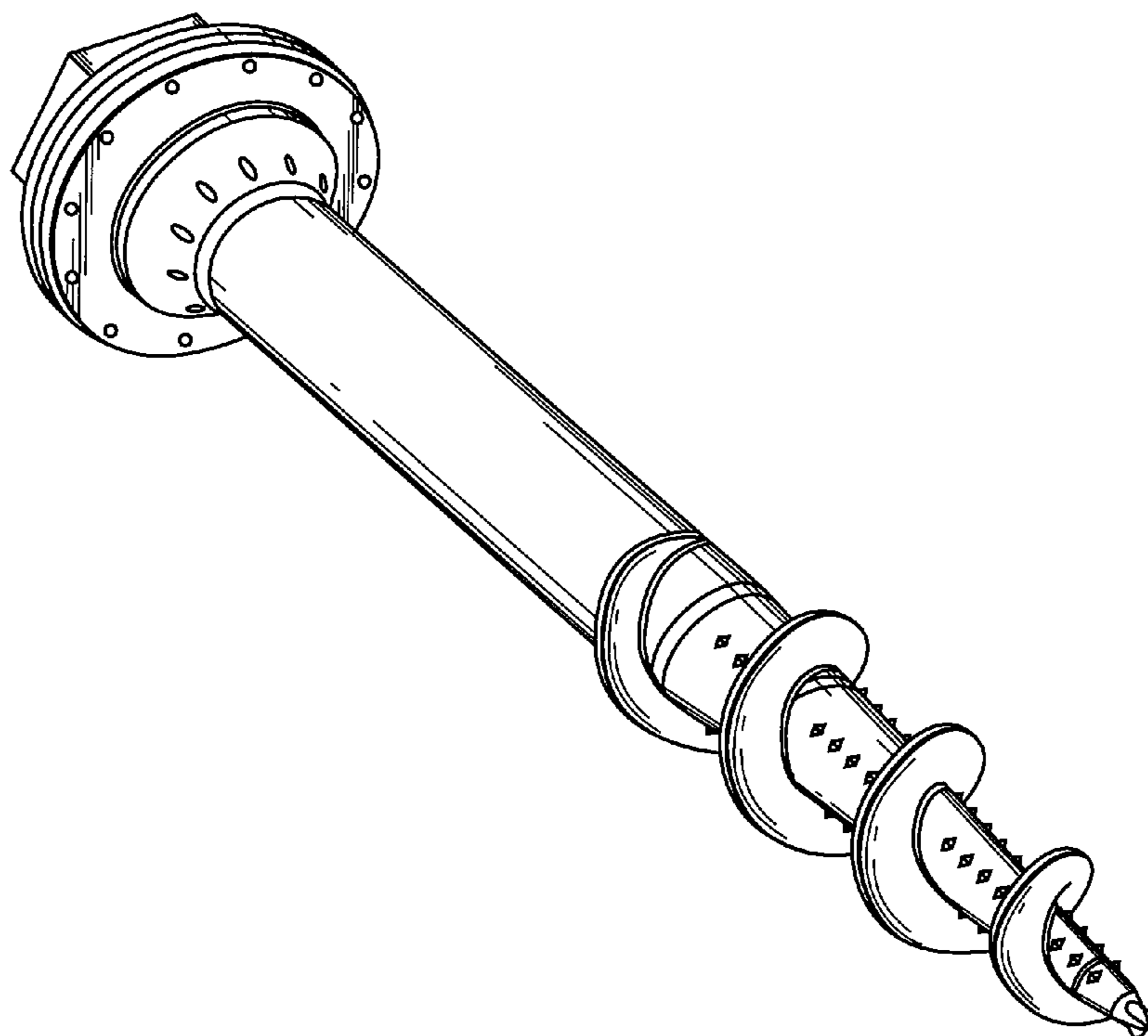
FIG. 1 is a perspective view of my design for a ground anchor as seen from the bottom end;

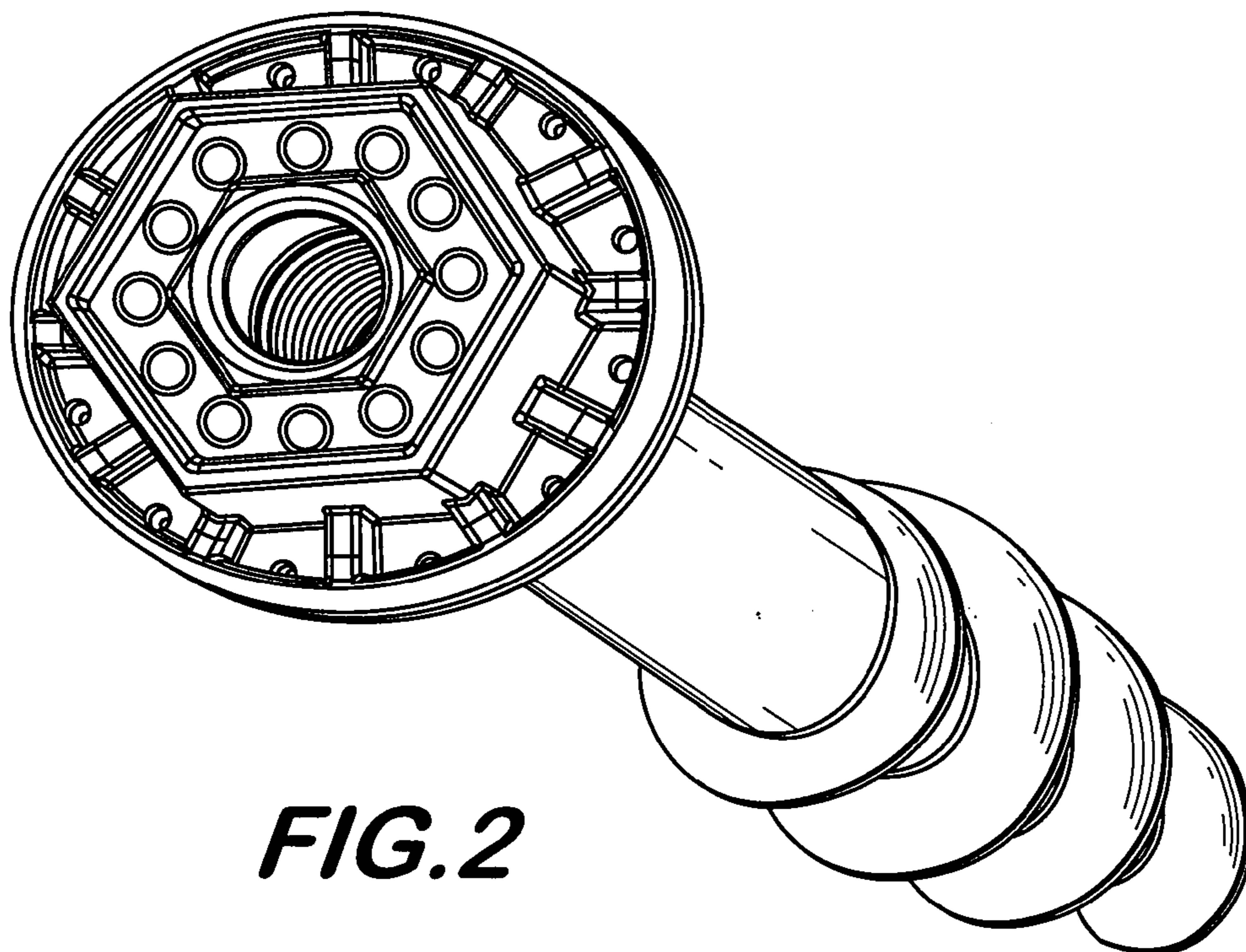
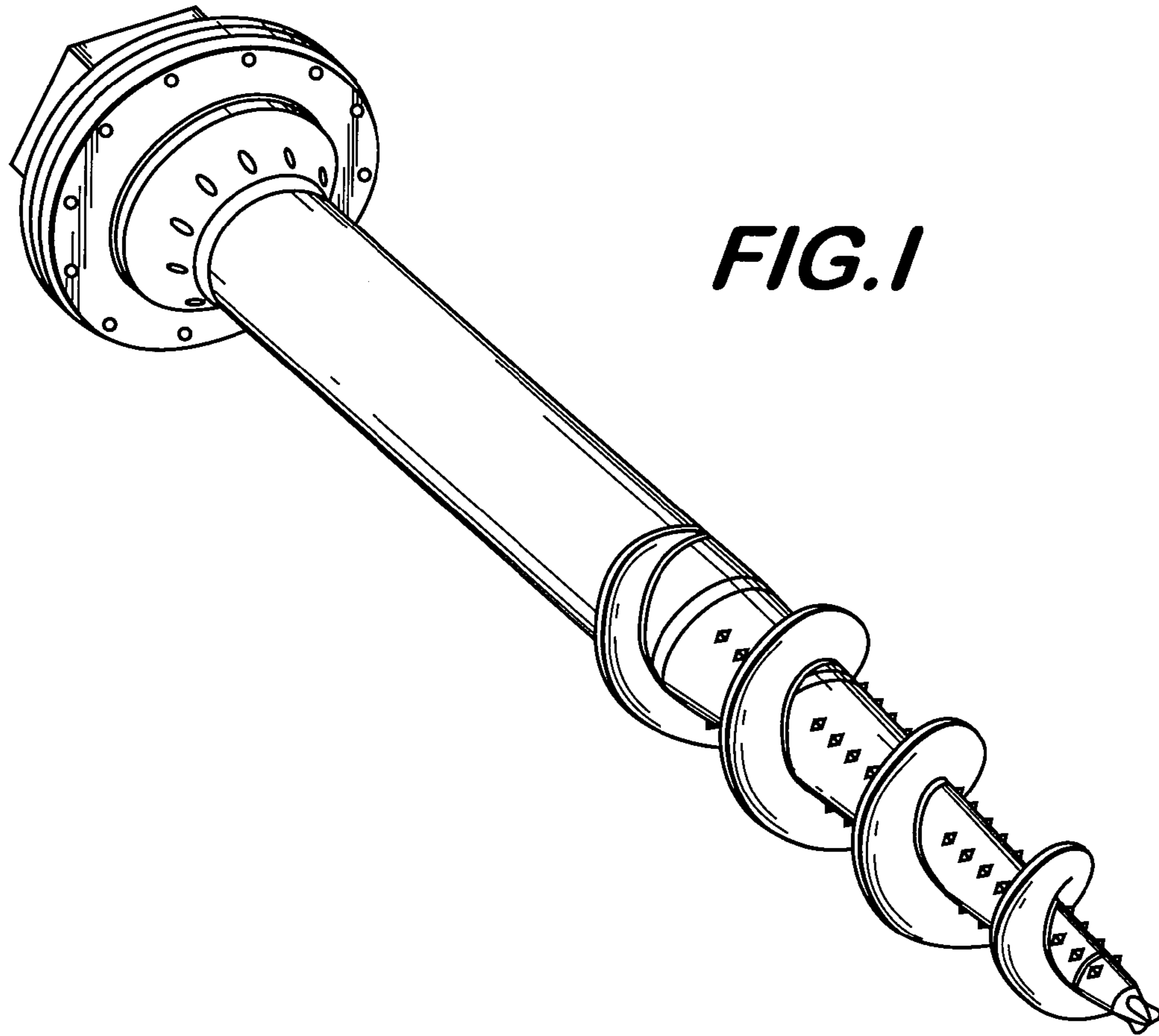
FIG. 2 is a perspective view of my design for a ground anchor as seen from the top end;

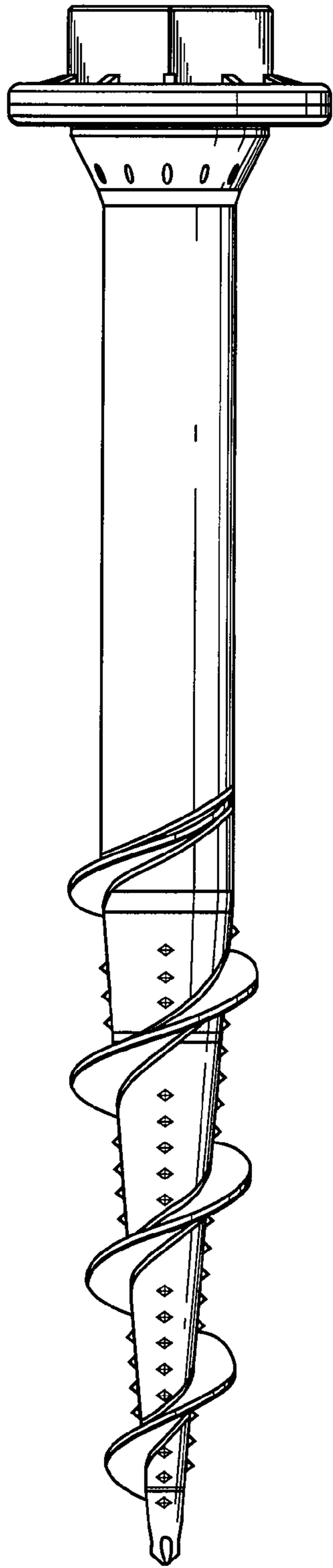
FIG. 3 is a front view of my design for a ground anchor; and,

FIG. 4 is a rear view of my design for a ground anchor, the left and right side views being shown in the perspective views.

**1 Claim, 2 Drawing Sheets**







**FIG. 3**

**FIG. 4**

