



US00D550070S

(12) **United States Design Patent**
Lucht

(10) **Patent No.:** **US D550,070 S**

(45) **Date of Patent:** **** Sep. 4, 2007**

(54) **MALE SHELF CONNECTOR FOR CORRUGATED MATERIAL**

(75) Inventor: **Wayne Lucht**, Bedford Park, IL (US)

(73) Assignee: **Midway Displays, Inc.**, Bedford Park, IL (US)

(**) Term: **14 Years**

(21) Appl. No.: **29/239,711**

(22) Filed: **Oct. 3, 2005**

(51) **LOC (8) Cl.** **08-05**

(52) **U.S. Cl.** **D8/381**

(58) **Field of Classification Search** D8/381,
D8/380, 373, 349; D6/574, 572, 556, 449,
D6/511, 478, 492, 491, 509; 248/300, 298.1,
248/250, 247, 243, 236, 235, 222.21-61,
248/214, 208, 301, 297.21; 108/152, 108;
312/408, 404; 229/120.07-34; 211/184;
D19/34.4

See application file for complete search history.

(56) **References Cited**

U.S. PATENT DOCUMENTS

4,043,456 A * 8/1977 Howell 211/184

4,389,133 A 6/1983 Oberst
5,971,173 A * 10/1999 Valiulis et al. 211/184
D473,080 S * 4/2003 Kellogg D6/491
D479,930 S * 9/2003 Cook et al. D6/511
D511,060 S * 11/2005 Linden D6/509

* cited by examiner

Primary Examiner—Robert M. Spear

Assistant Examiner—Susan Bennett Hattan

(74) *Attorney, Agent, or Firm*—Leydig, Voit & Mayer, Ltd.

(57) **CLAIM**

The ornamental design for a male shelf connector for corrugated material, substantially as shown and described.

DESCRIPTION

FIG. 1 is a rear perspective view of a male shelf connector for corrugated material showing my new design;

FIG. 2 is a right side elevational view thereof; the left side (not shown) being a mirror image thereof;

FIG. 3 is a rear elevational view thereof;

FIG. 4 is a front plan view thereof; and,

FIG. 5 is a top and bottom plan view thereof.

1 Claim, 1 Drawing Sheet

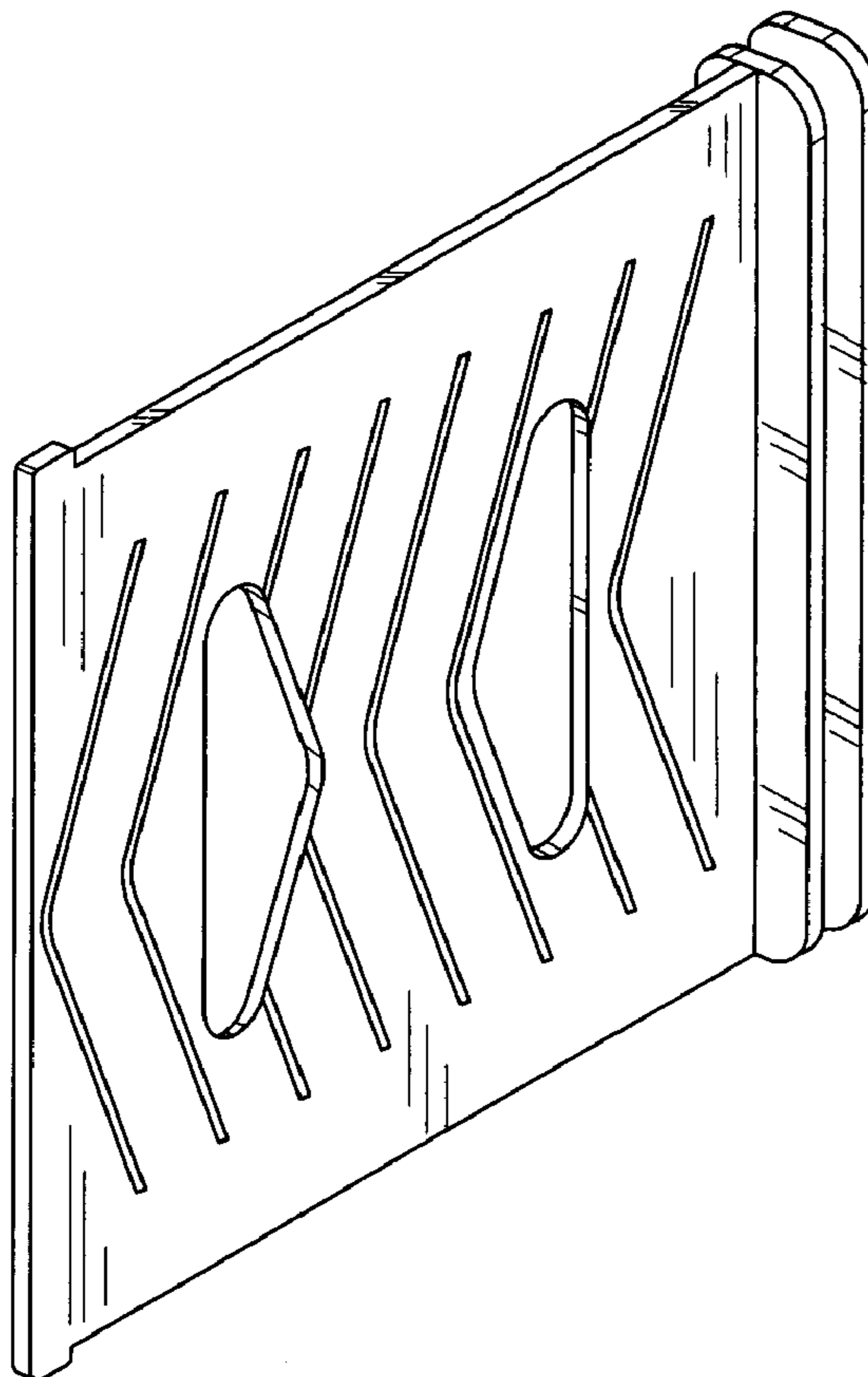


FIG. 5

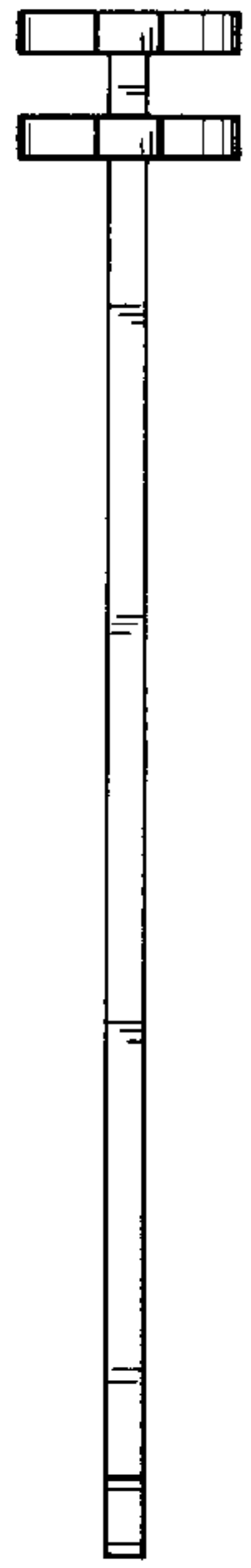


FIG. 1

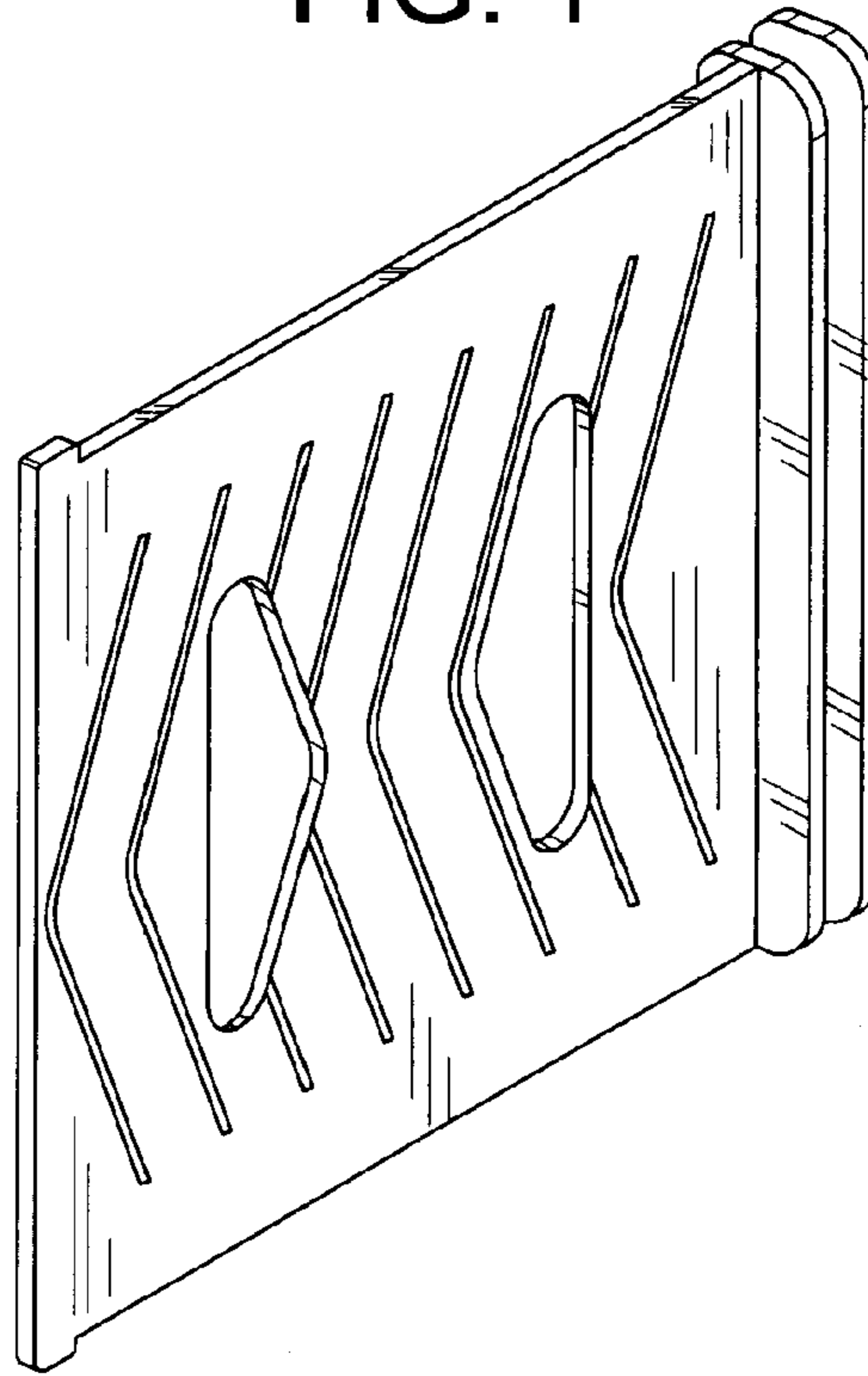


FIG. 3

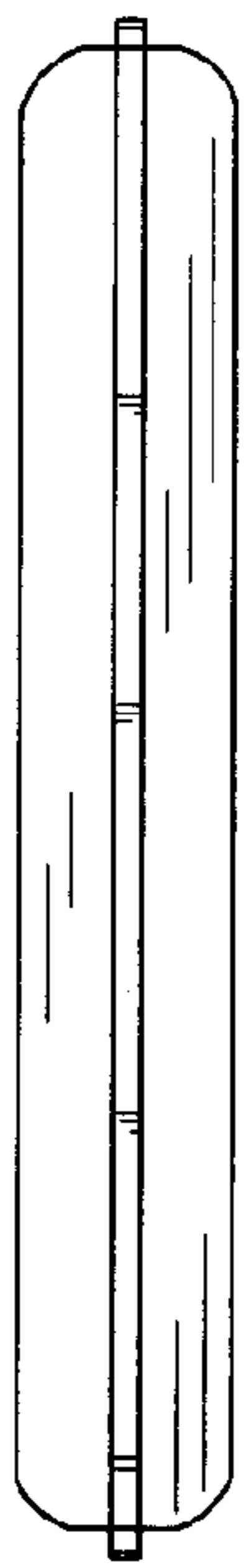


FIG. 2

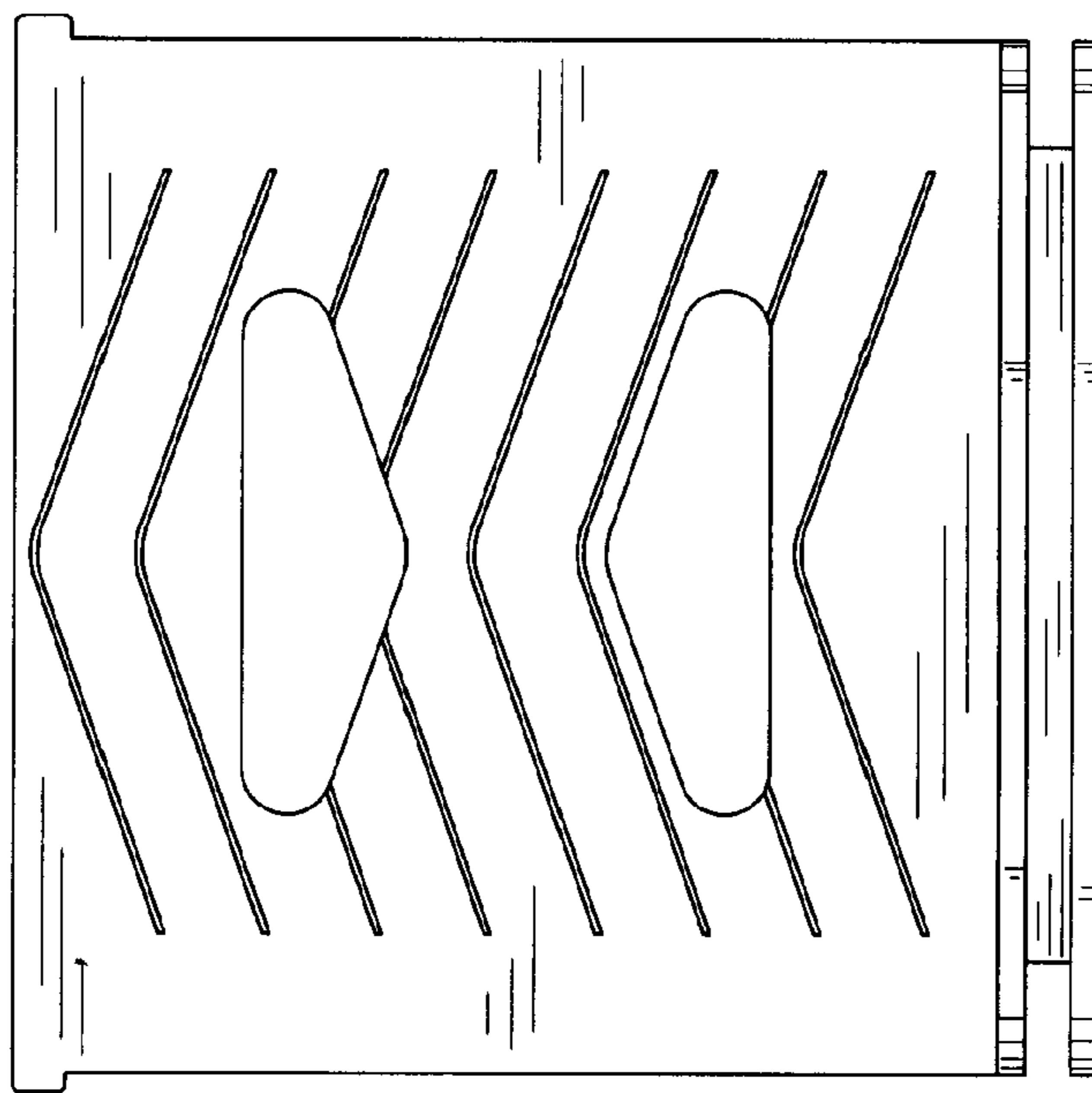


FIG. 4

