



US00D550069S

(12) **United States Design Patent**
Milligan

(10) **Patent No.:** **US D550,069 S**

(45) **Date of Patent:** **** Sep. 4, 2007**

(54) **THREE-WAY BED RISERS**

(76) Inventor: **Loren Milligan**, 102 N. Main, Baxter,
IA (US) 50028

(**) Term: **14 Years**

(21) Appl. No.: **29/255,713**

(22) Filed: **Mar. 10, 2006**

(51) **LOC (8) Cl.** **08-05**

(52) **U.S. Cl.** **D8/374**

(58) **Field of Classification Search** D8/374;
5/663, 658, 668; 248/188.2, 346.11, 346.01,
248/346.02

See application file for complete search history.

(56) **References Cited**

U.S. PATENT DOCUMENTS

2,933,850	A *	4/1960	Martin	248/188.2
5,749,555	A *	5/1998	Albrecht	248/346.01
D487,977	S *	4/2004	Hill	D6/500
D493,095	S *	7/2004	Sittig	D8/374
D493,096	S *	7/2004	Sittig	D8/374
D498,412	S *	11/2004	Pehta et al.	D8/374

* cited by examiner

Primary Examiner—Holly H. Baynham

(74) *Attorney, Agent, or Firm*—Camille L. Urban; G. Brian
Pingel; Adame W. Jones

(57) **CLAIM**

The ornamental design for a three-way bed risers, as shown
and described.

DESCRIPTION

FIG. 1 is a perspective view of a bed riser showing my new
design;

FIG. 2 is a first side elevational view;

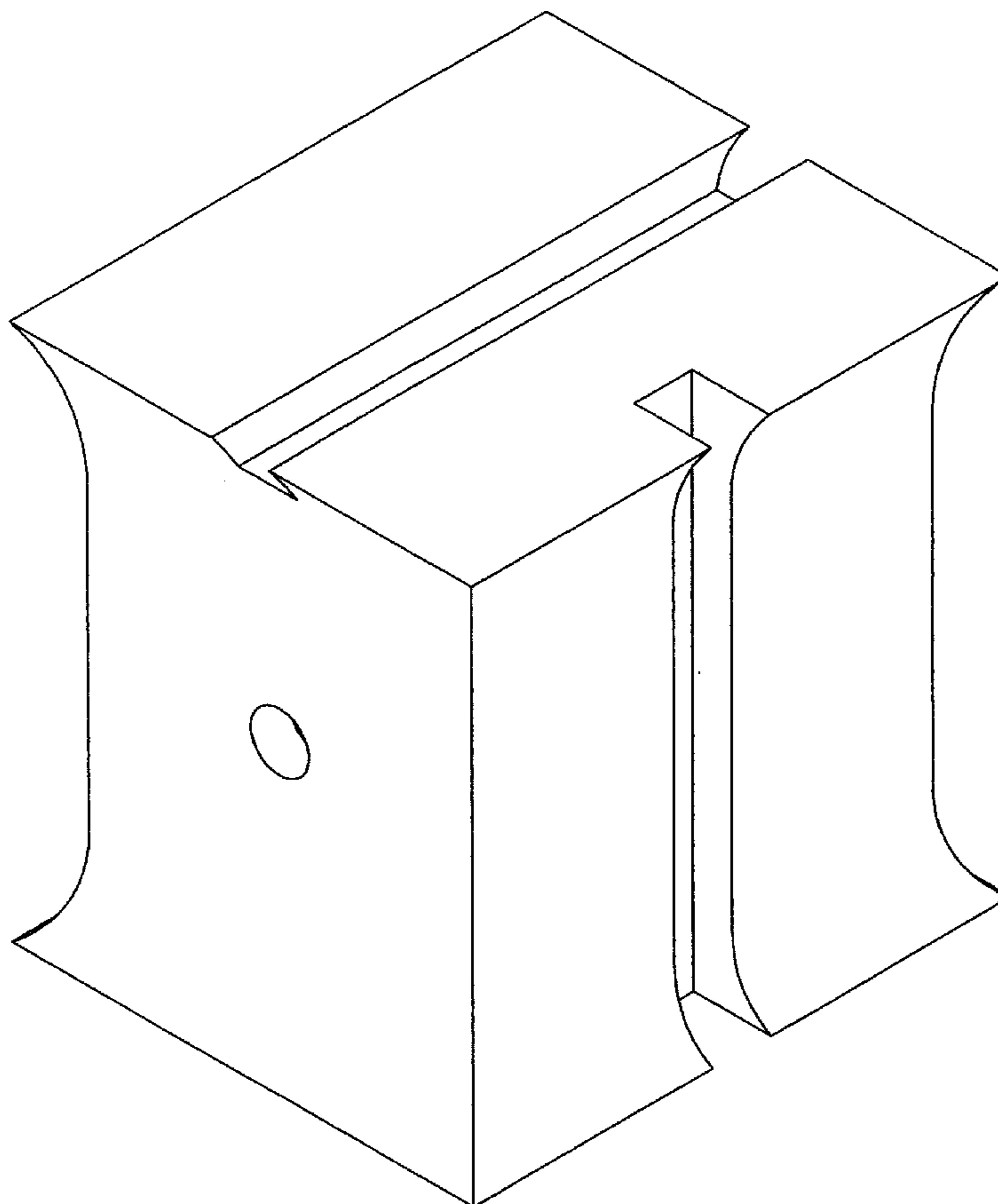
FIG. 3 is a second side elevational view;

FIG. 4 is an opposite side view of the view shown in FIG.
3;

FIG. 5 is an opposite side view of the view shown in FIG.
2; and,

FIG. 6 is a top plan view.

1 Claim, 6 Drawing Sheets



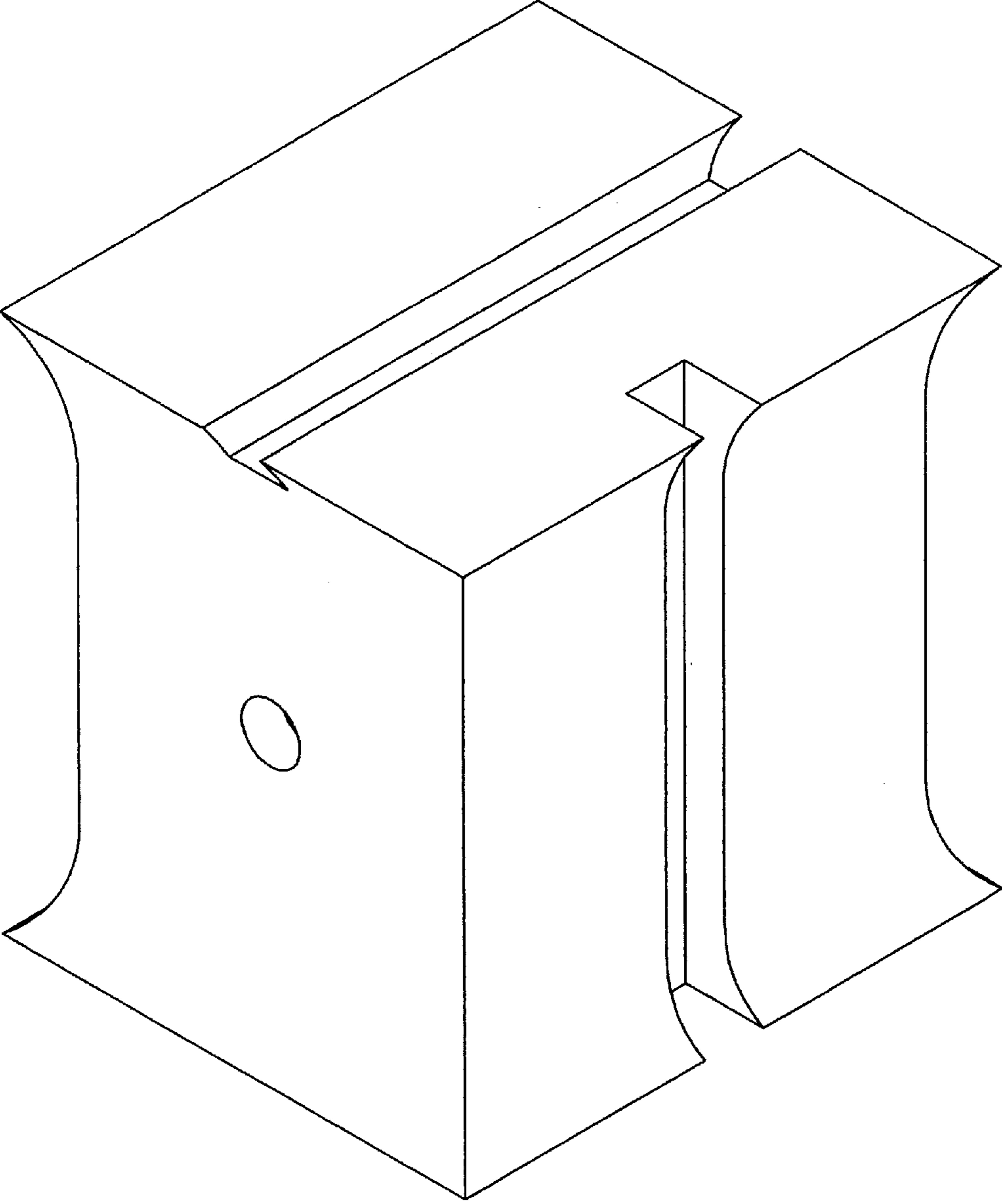


Fig. 1

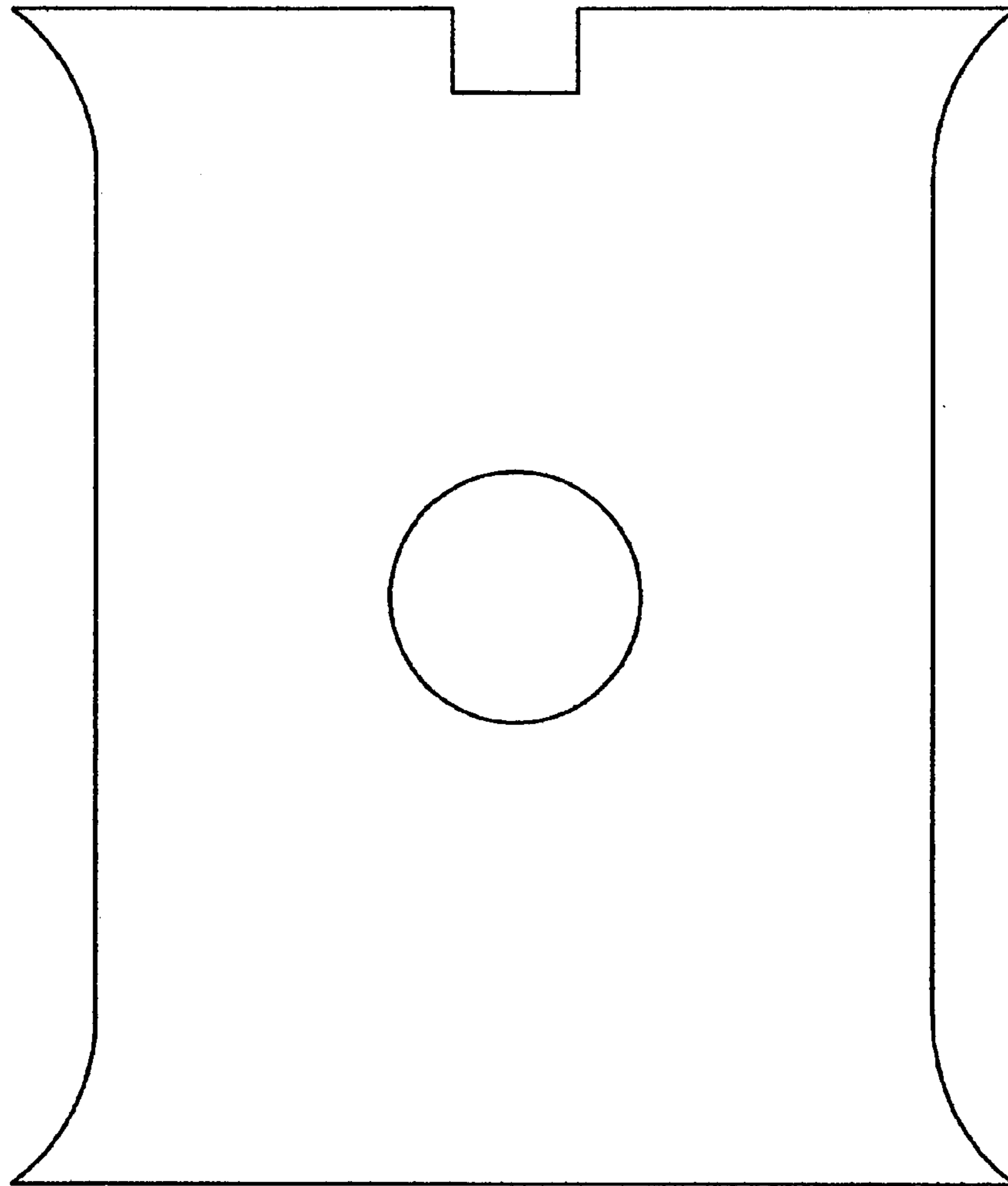


Fig. 2

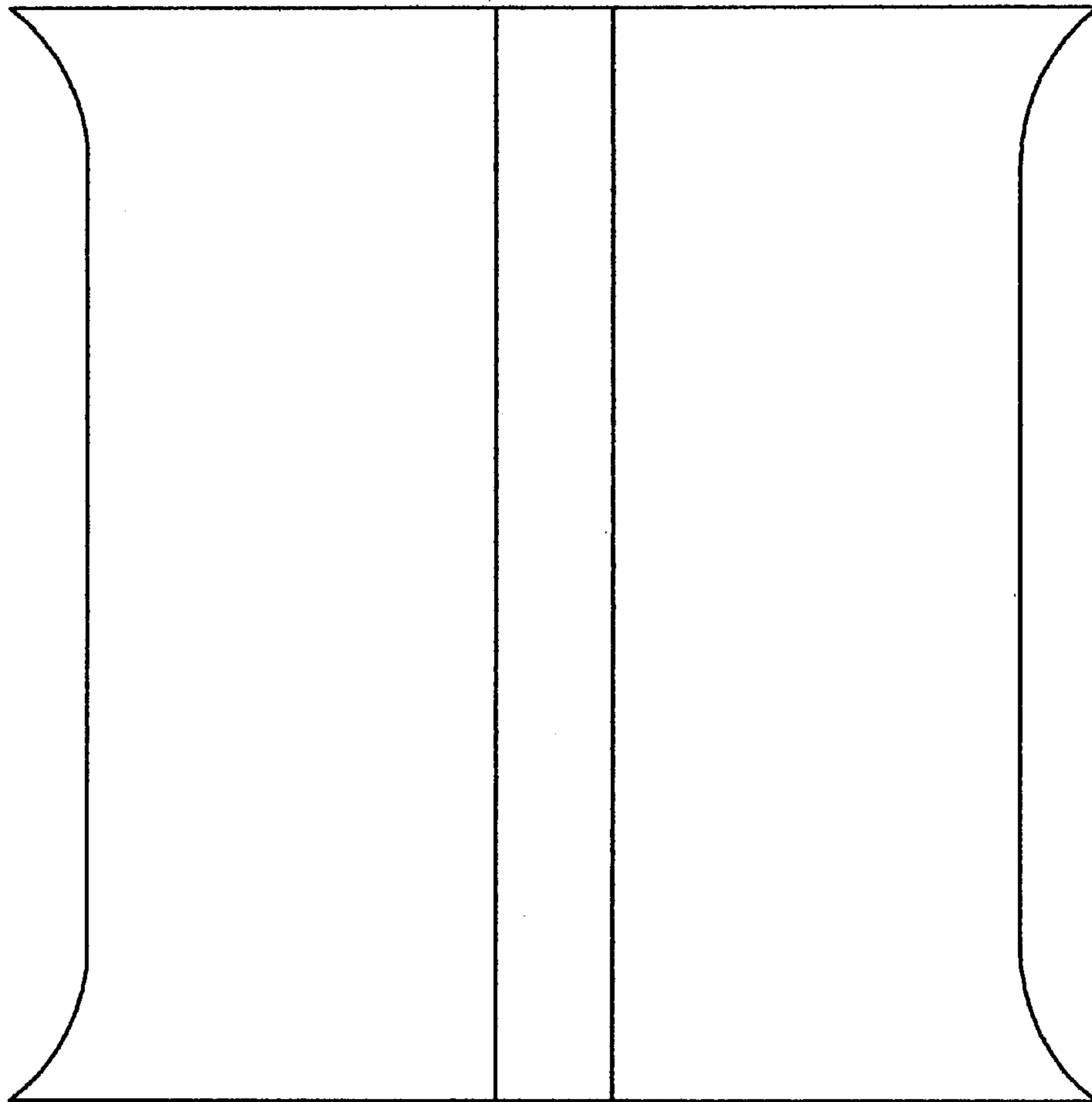


Fig. 3

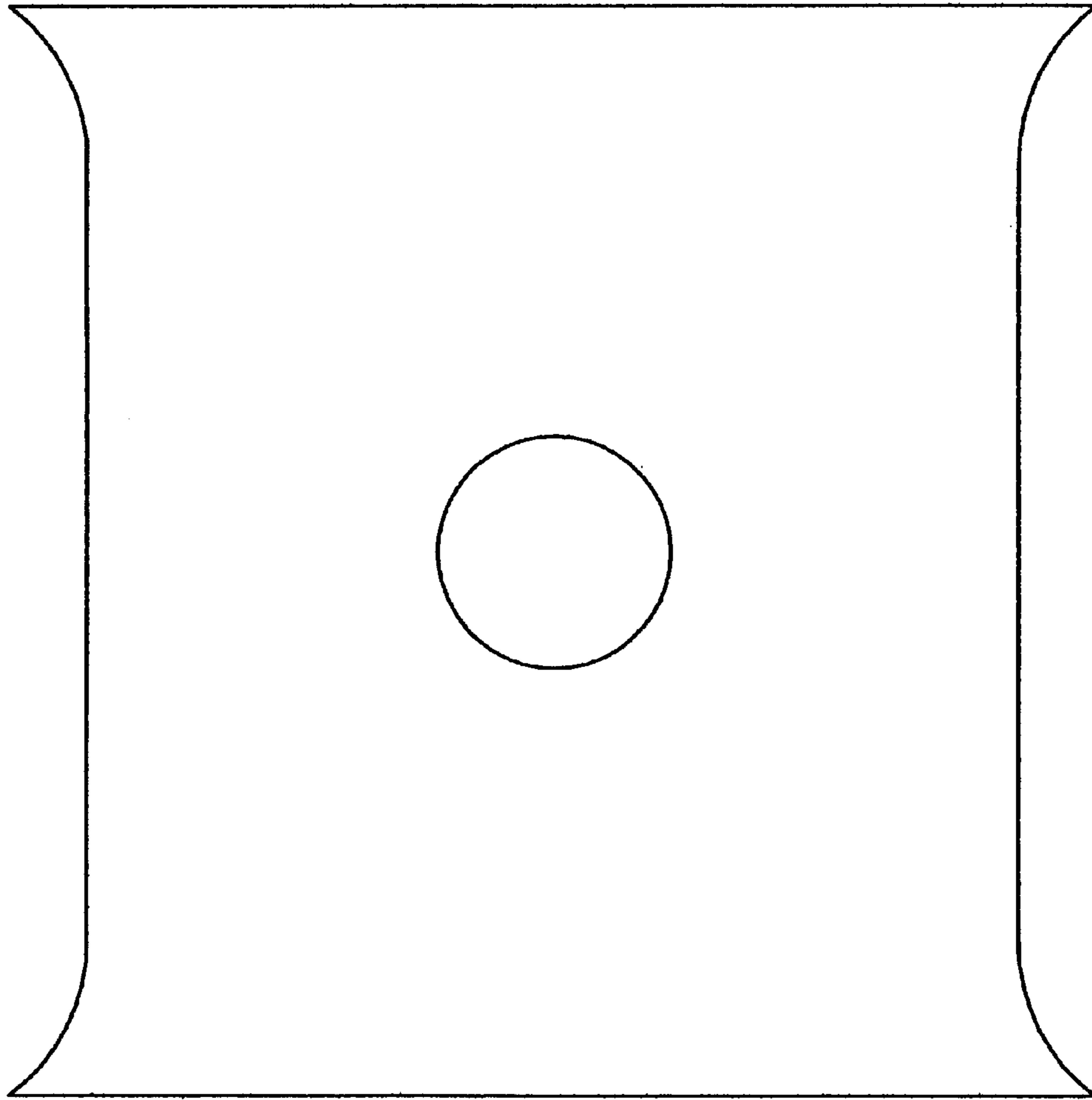


Fig. 4

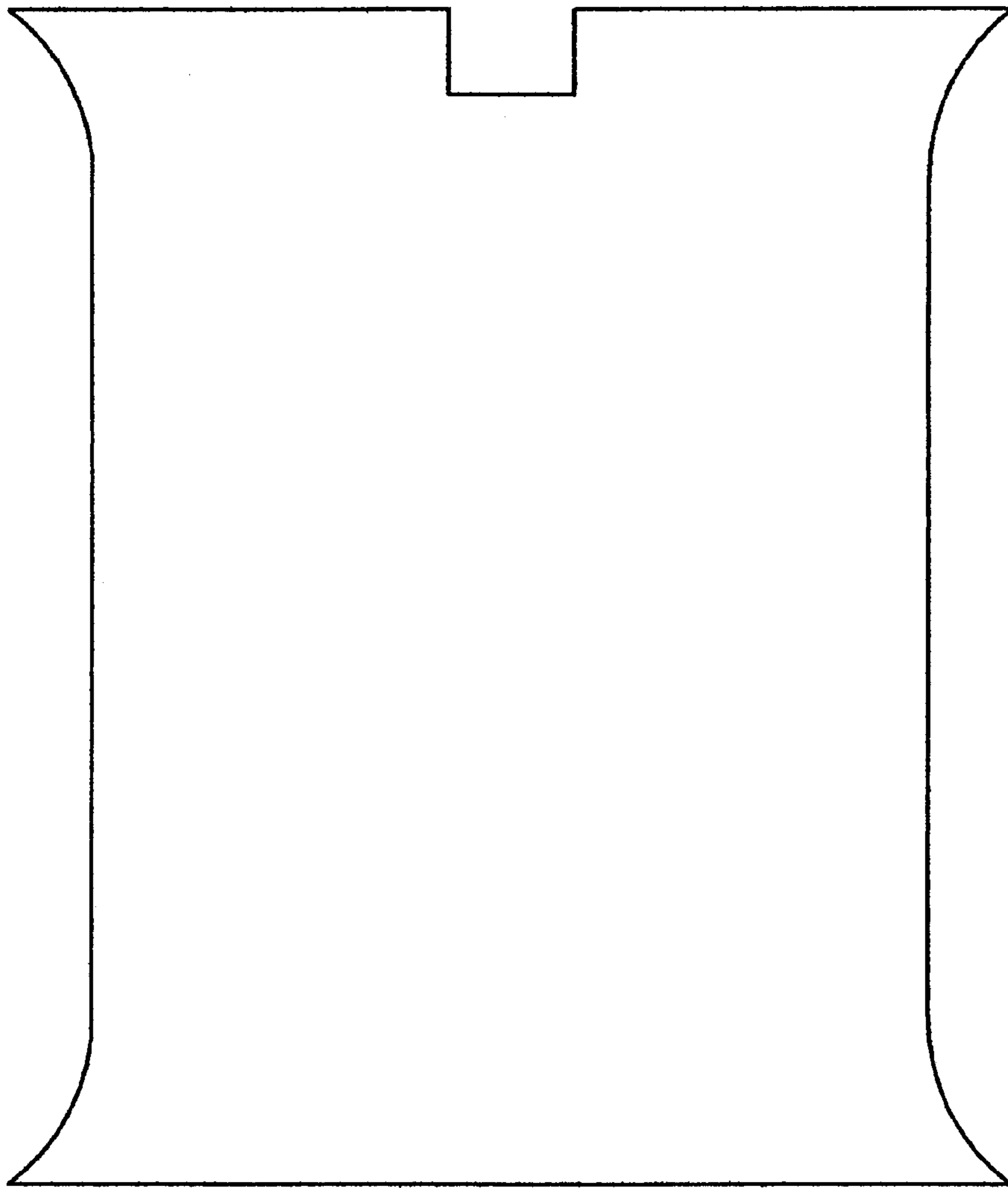


Fig. 5

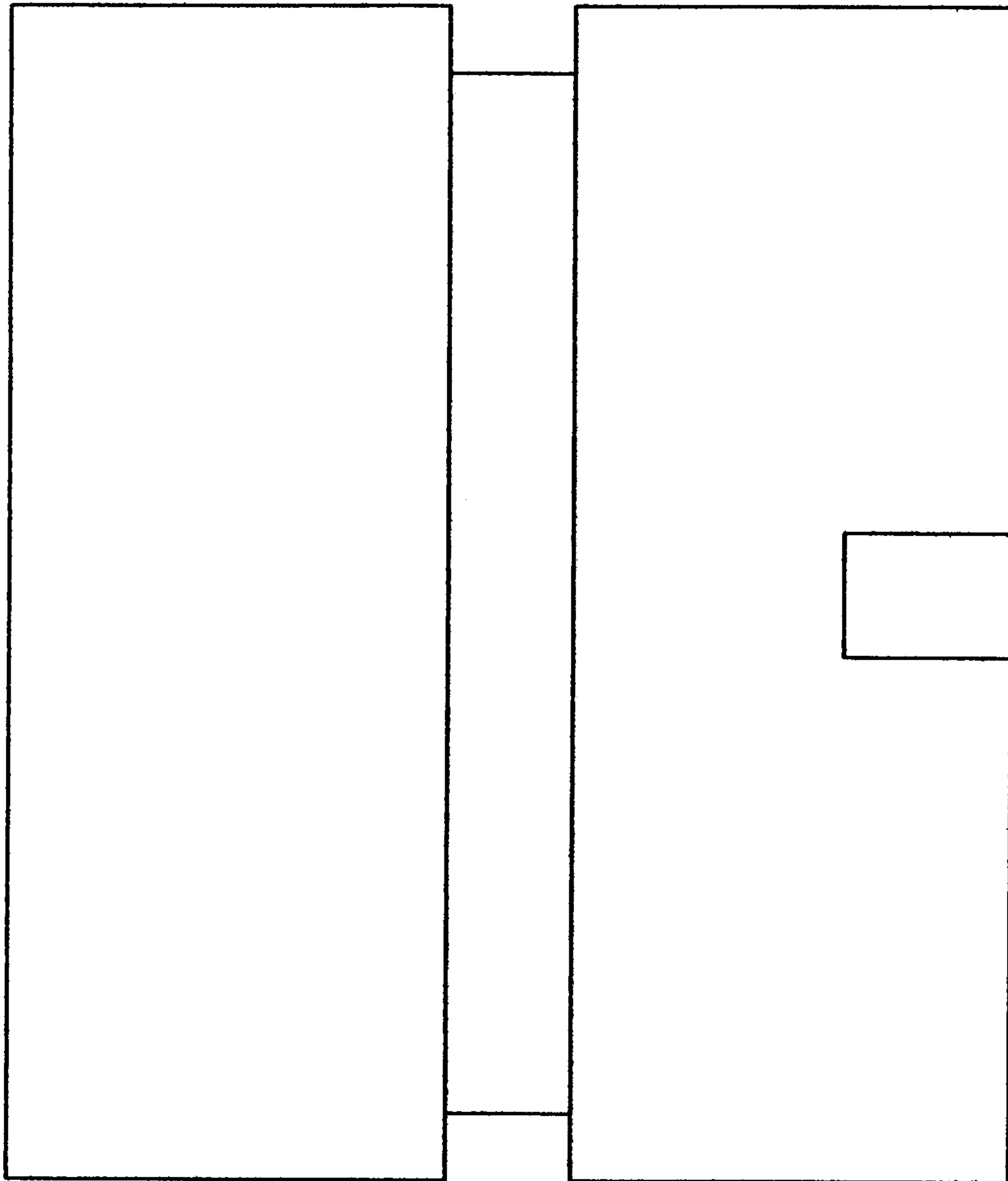


Fig. 6